



US00D885238S

(12) **United States Design Patent** (10) **Patent No.:** **US D885,238 S**  
**Gurung** (45) **Date of Patent:** **\*\* May 26, 2020**

- (54) **EARRING**
- (71) Applicant: **Tasaki & Co., Ltd.**, Kobe (JP)
- (72) Inventor: **Prabal Gurung**, New York, NY (US)
- (73) Assignee: **Tasaki & Co., Ltd.**, Kobe (JP)
- (\*\*) Term: **15 Years**
- (21) Appl. No.: **29/649,989**
- (22) Filed: **Jun. 4, 2018**
- (51) **LOC (12) Cl.** ..... **11-01**
- (52) **U.S. Cl.**  
USPC ..... **D11/40**
- (58) **Field of Classification Search**  
USPC ..... D11/1, 2, 3, 7, 8, 40, 41, 42, 43, 44, 45,  
D11/48, 63, 67, 79, 81, 84, 78  
CPC .. A44C 1/00; A44C 3/008; A44C 3/00; A44C  
3/001; A44C 3/004; A44C 7/00; A44C  
7/002; A44C 7/003; A44C 7/004; A44C  
7/005; A44C 7/006; A44C 7/007; A44C  
7/008; A44C 7/009; A44C 13/00; A44C  
15/001; A44C 15/0005; A44C 15/0025;  
A44C 15/0045; A44C 25/001; A44C  
25/004; A44C 25/005; A44C 25/007;  
A44C 25/008; A44C 25/00; A44C 25/002  
See application file for complete search history.

(56) **References Cited**

**U.S. PATENT DOCUMENTS**

- 4,497,186 A \* 2/1985 Mason ..... A44C 7/00  
63/13
- D281,767 S \* 12/1985 Mason ..... D11/45
- D293,217 S \* 12/1987 O'Donovan ..... D11/78
- D317,422 S \* 6/1991 Hardy ..... D11/42
- 5,074,128 A \* 12/1991 Kowalski ..... A44C 7/00  
63/12
- D326,430 S \* 5/1992 Ortega ..... D11/40

- 5,809,803 A \* 9/1998 Stracuzzi ..... A44C 7/009  
63/12
- D843,886 S \* 3/2019 Ellingson ..... D11/200
- 2018/0027905 A1\* 2/2018 Lambert ..... A41D 25/003

**OTHER PUBLICATIONS**

Tasaki Shines At Met Gala 2018, Salon Prive Mag staff writer, May 9, 2018, [online], [site visited Jul. 30, 2019]. Retrieved from url:https://salonprivemag.com/tasaki-shines-at-met-gala-2018/ (Year: 2018).\*

14K Yellow Gold Pearl Grace Note Earrings Cormier Jewelers, no date available, [site visited Jul. 31, 2019]. Retrieved from url:https://www.cormiers.com/store/14K-Yellow-Gold-Pearl-Grace-Note-Earrings-p125110585 (Year: 2019).\*

\* cited by examiner

*Primary Examiner* — Michelle E. Wilson

*Assistant Examiner* — Tracey J Bell

(74) *Attorney, Agent, or Firm* — Fitch, Even, Tabin & Flannery LLP

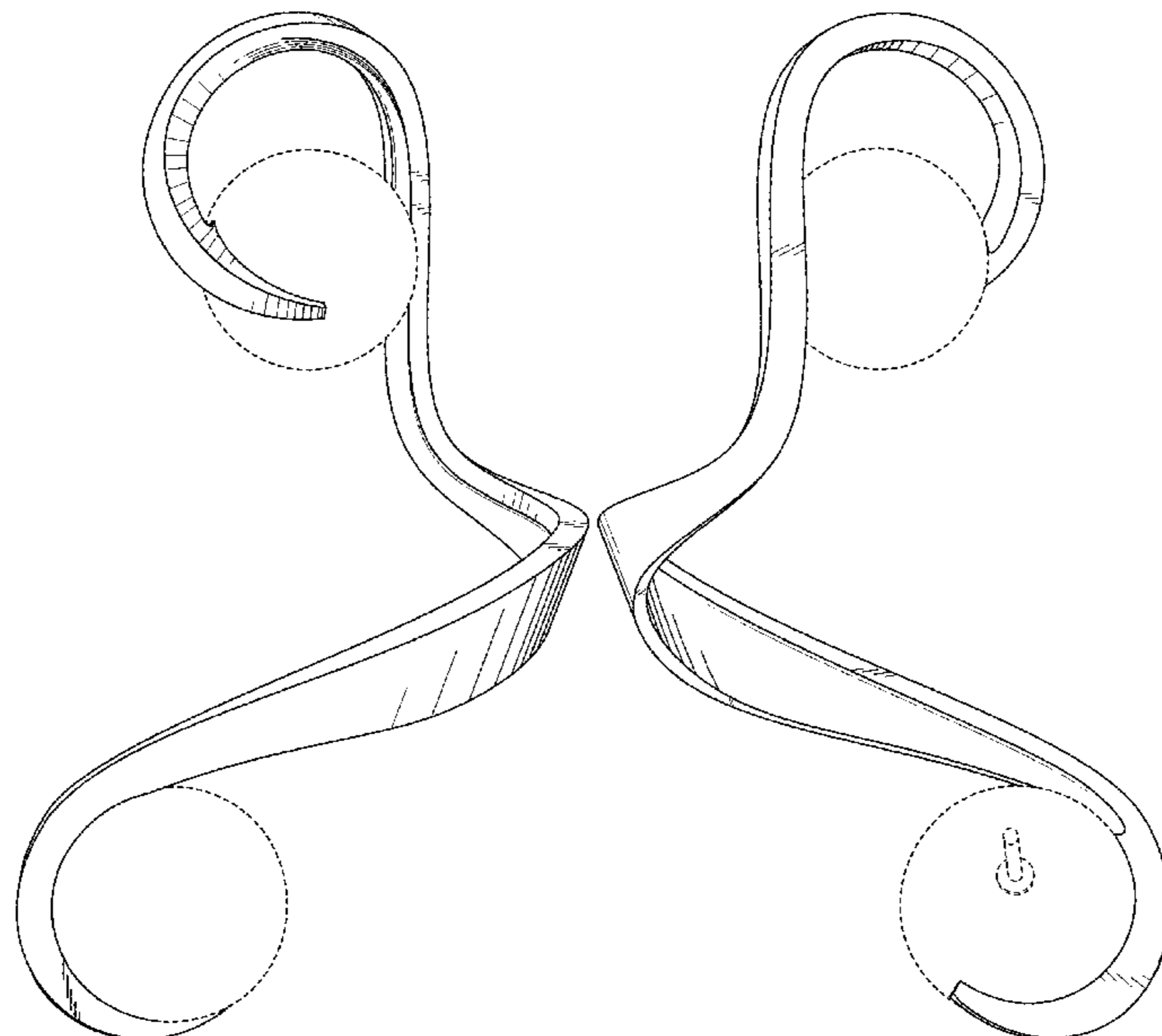
(57) **CLAIM**

I claim the ornamental design for an earring, as shown and described.

**DESCRIPTION**

FIG. 1 is a front elevational view of an earring, showing my new design;  
 FIG. 2 is a rear elevational view thereof;  
 FIG. 3 is a top plan view thereof;  
 FIG. 4 is a bottom plan view thereof;  
 FIG. 5 is a right side elevational view thereof; and,  
 FIG. 6 is a left side elevational view thereof.  
 The features shown in broken lines in the drawings form no part of the claimed design.

**1 Claim, 6 Drawing Sheets**



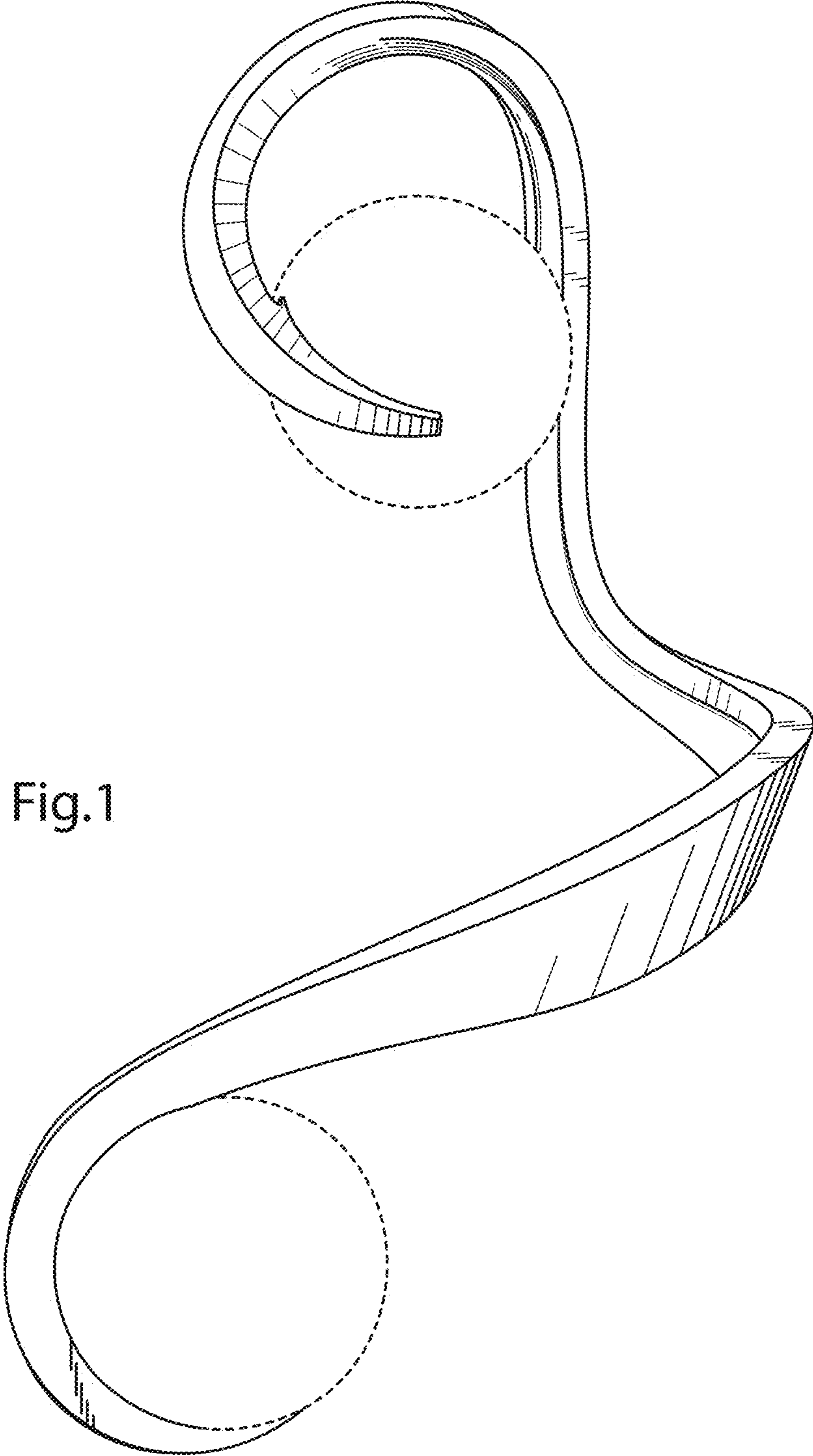


Fig.1

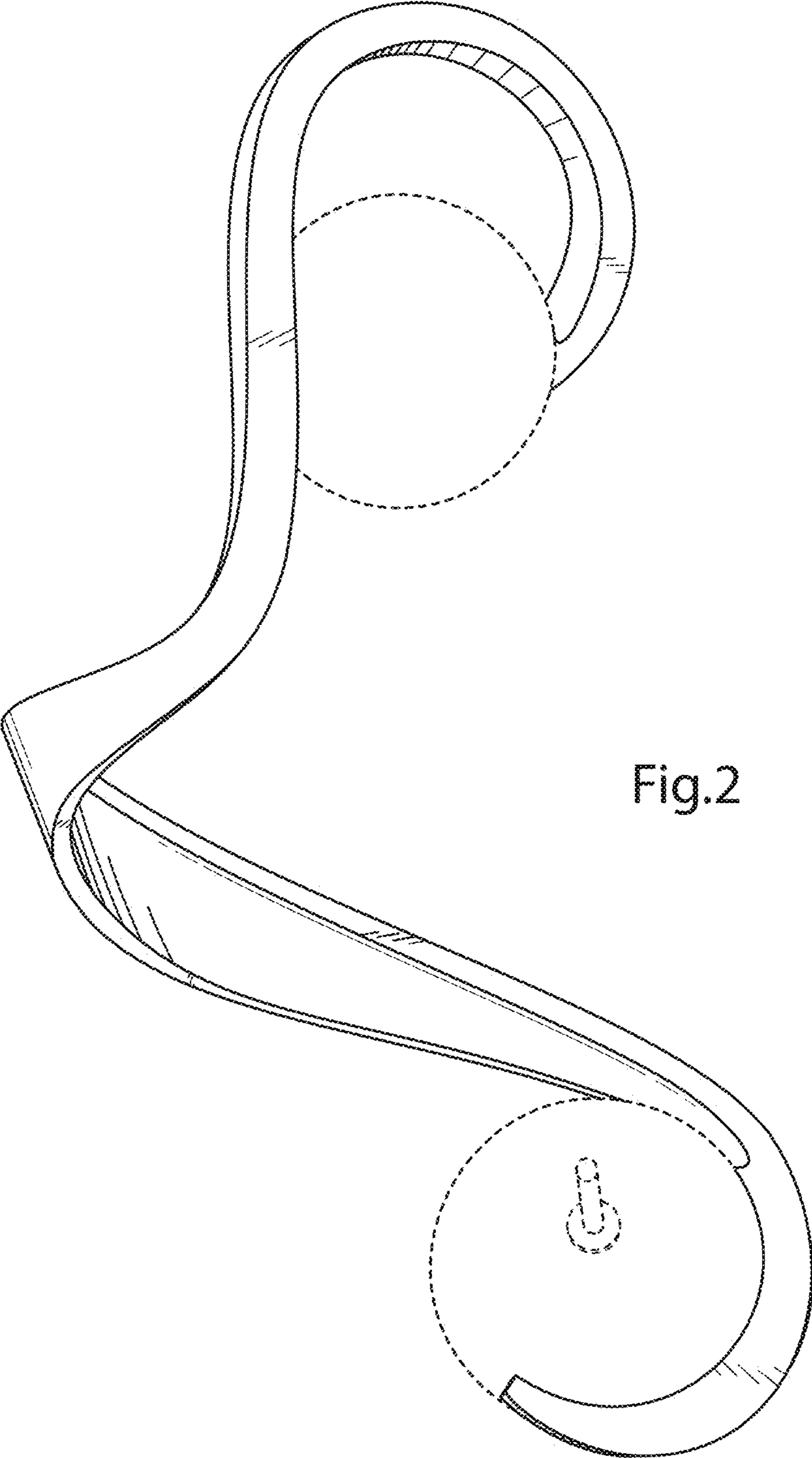


Fig.2

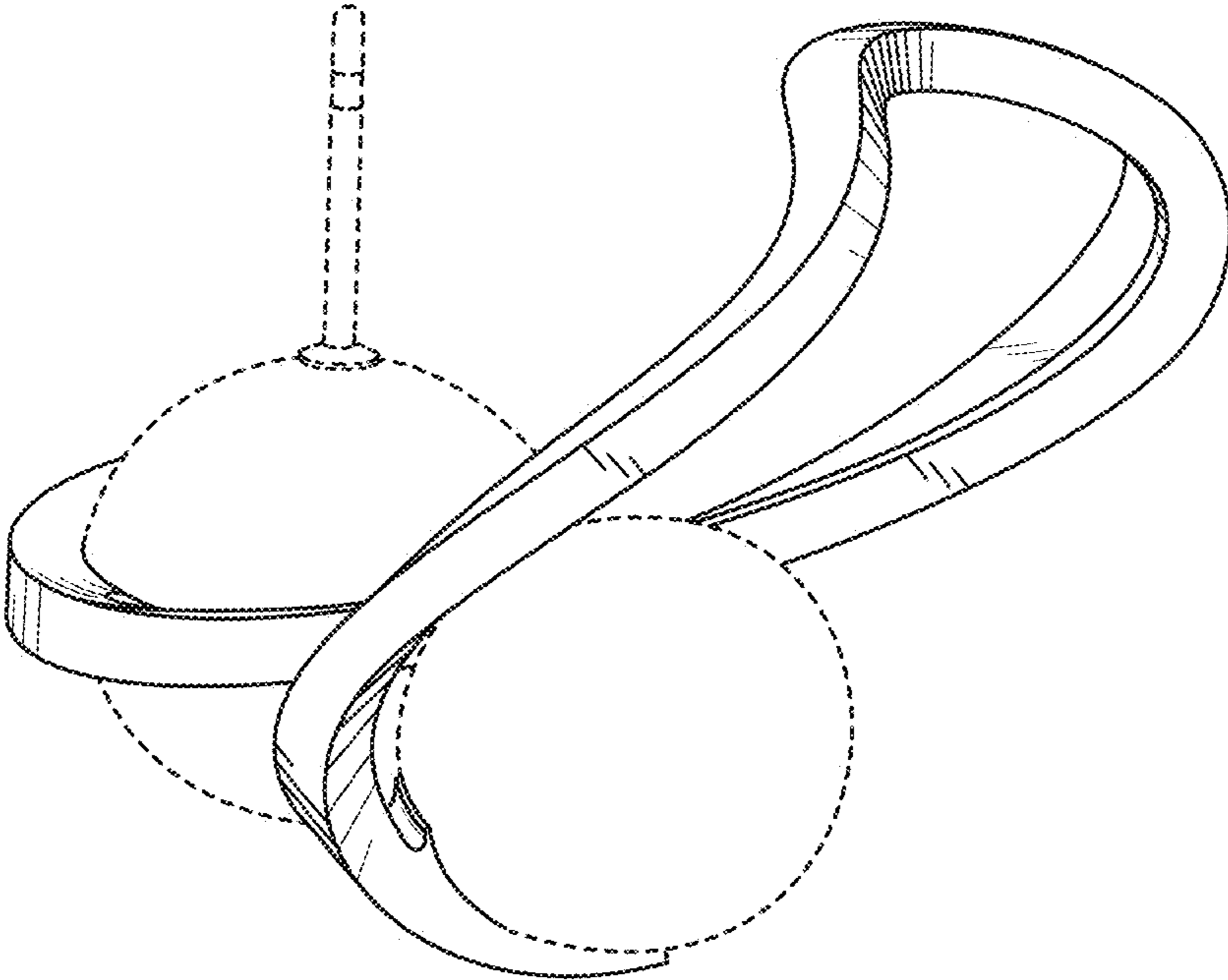


Fig.3



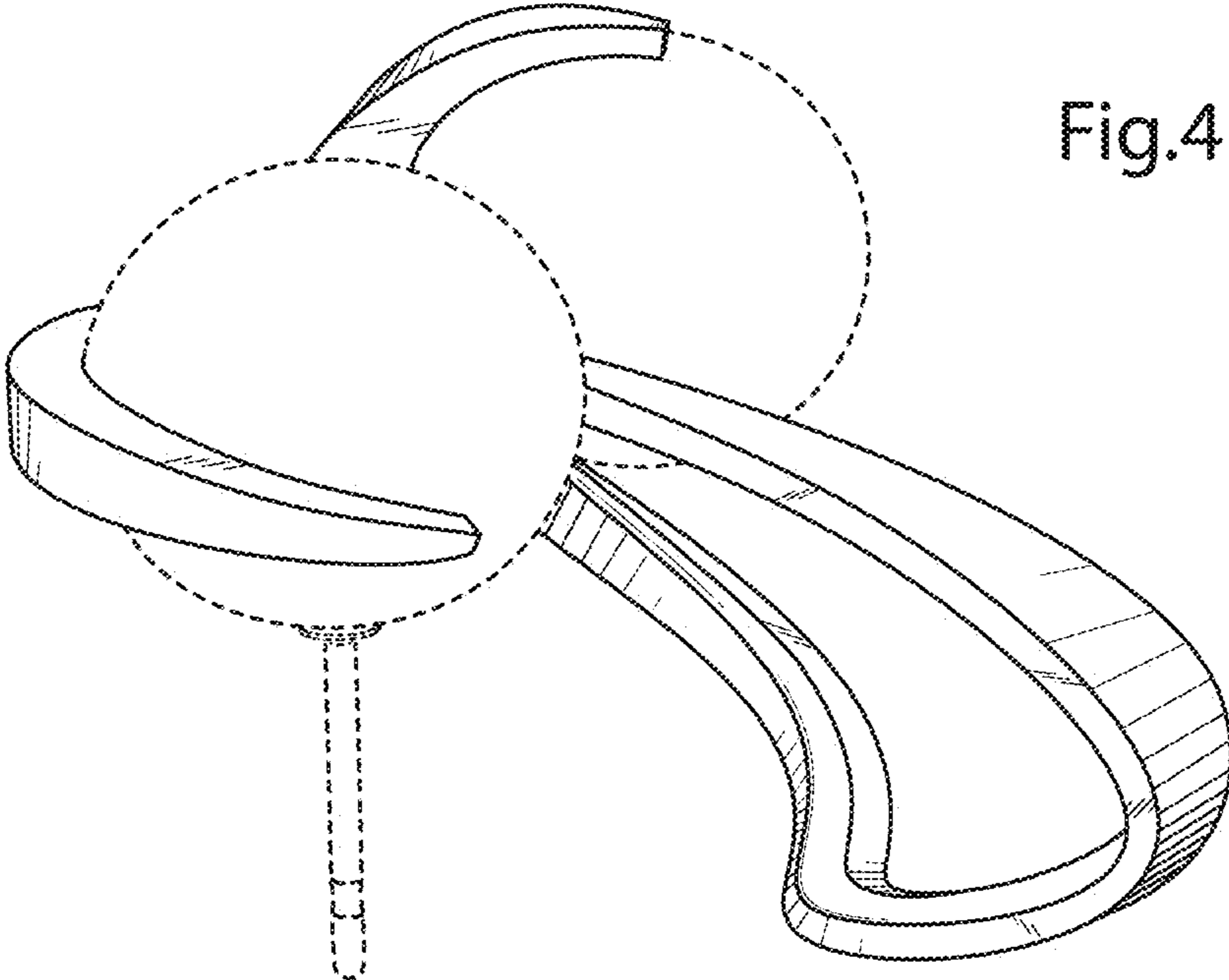


Fig.4

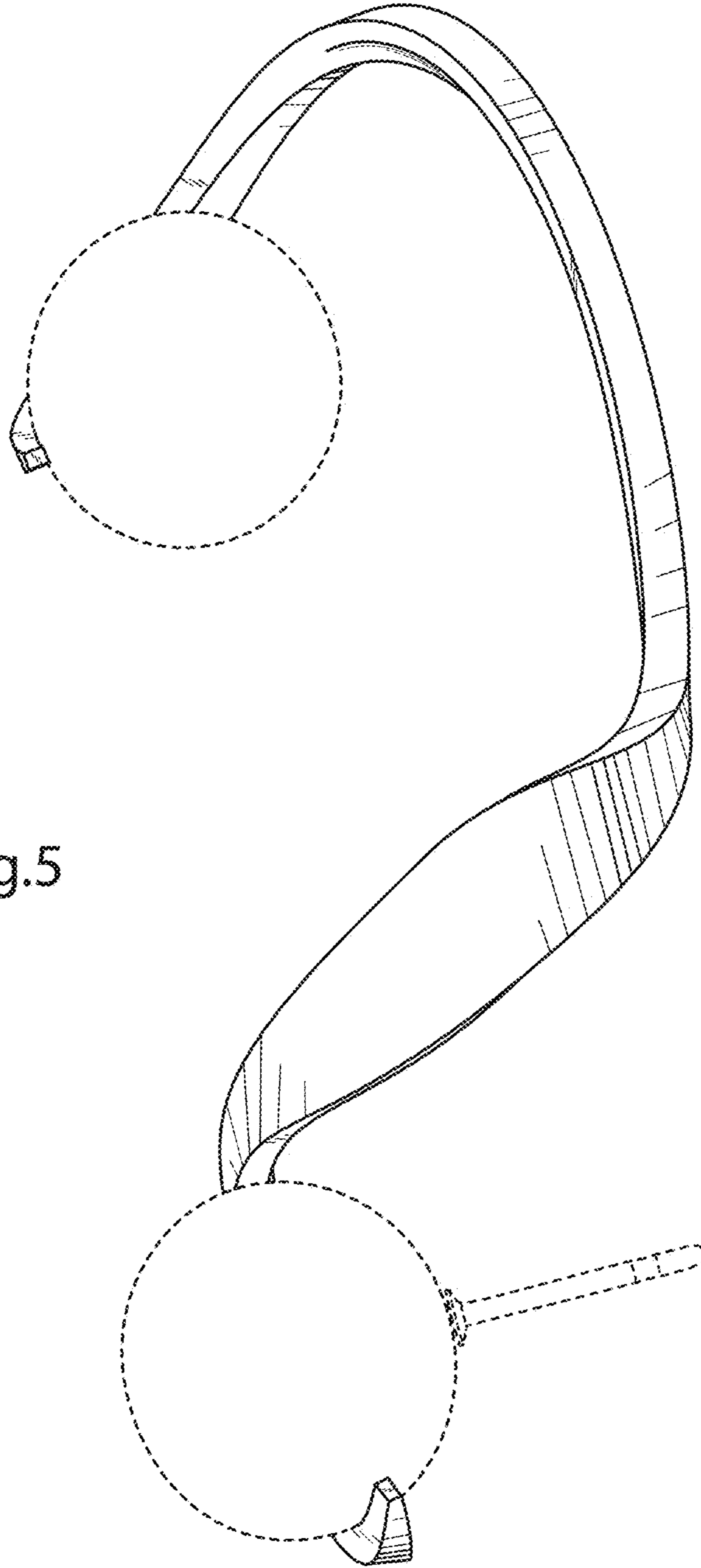


Fig.5

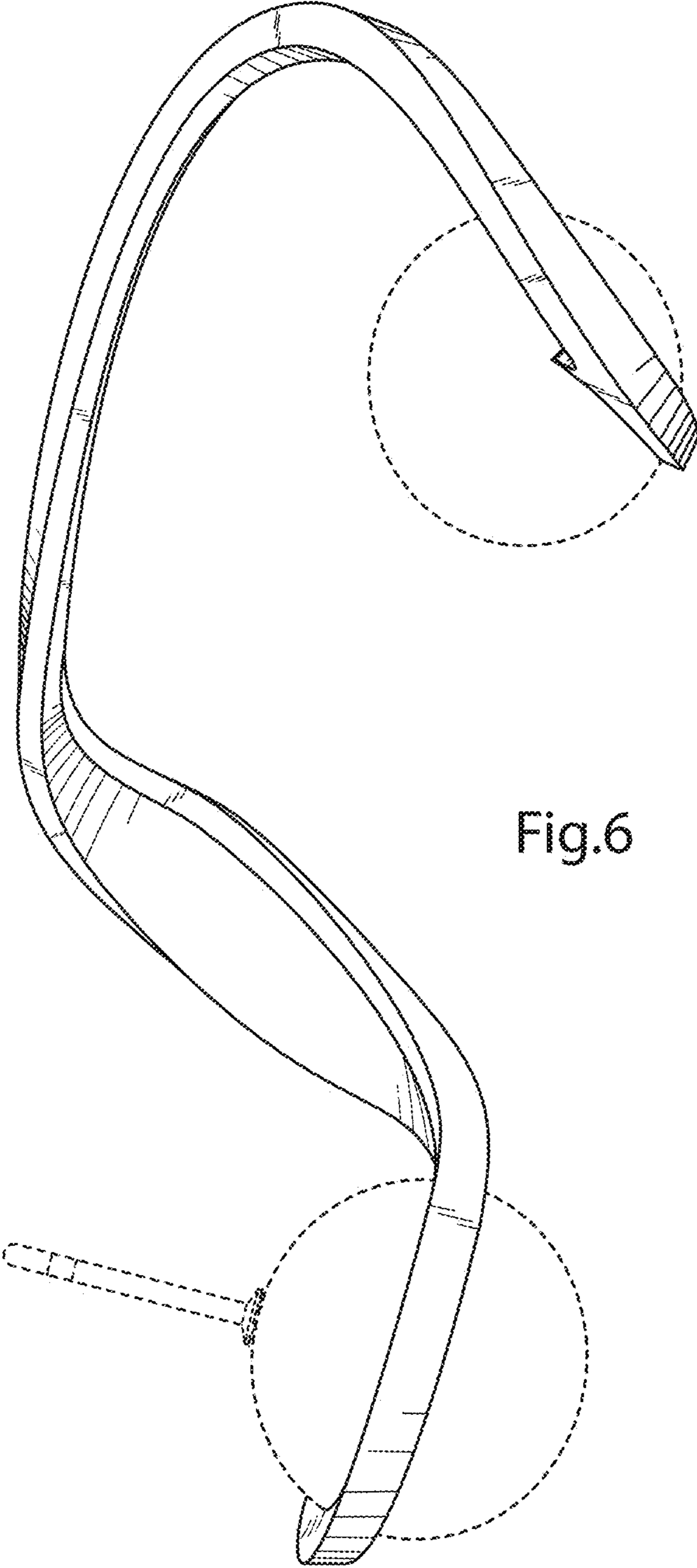


Fig.6