



US00D885235S

(12) **United States Design Patent**
Gurung

(10) **Patent No.:** **US D885,235 S**

(45) **Date of Patent:** **** May 26, 2020**

- (54) **RING**
- (71) Applicant: **Tasaki & Co., Ltd.**, Kobe (JP)
- (72) Inventor: **Prabal Gurung**, New York, NY (US)
- (73) Assignee: **Tasaki & Co., Ltd.**, Kobe (JP)
- (**) Term: **15 Years**
- (21) Appl. No.: **29/685,096**
- (22) Filed: **Mar. 26, 2019**
- (51) **LOC (12) Cl.** **11-01**
- (52) **U.S. Cl.**
USPC **D11/26**
- (58) **Field of Classification Search**
USPC D11/1-5, 16, 26-39, 92
CPC A44C 9/00; A44C 9/0007; A44C 9/0015;
A44C 9/0023; A44C 9/003; A44C
9/0038; A44C 9/0046; A44C 9/0053;
A44C 9/0061; A44C 9/0069; A44C
9/0076; A44C 9/0084; A44C 9/0092;
A44C 9/02; A44C 17/02; A44C 17/0208;
A44C 17/0216; A44C 17/0225; A44C
17/0233; A44C 17/0241; A44C 17/025;
A44C 17/0258; A44C 17/0266; A44C
17/0275; A44C 17/0283; A44C 17/0291
See application file for complete search history.

D665,296 S *	8/2012	Fillon	D11/26
D666,117 S *	8/2012	Le Bail	D11/26
D674,311 S *	1/2013	Takahashi	D11/35
D817,215 S *	5/2018	Wempe	D11/35
D840,862 S *	2/2019	Neeley	D11/34
D843,874 S *	3/2019	Yamada	D11/26

OTHER PUBLICATIONS

[Online] https://modesens.com/us/en/product/tasaki-18kt-yellow-gold-aurora-akoya-pearl-ring-17785214/?refinfo=gSH_ggfTasakfa-ApAcJeRi17785214&msclkid=fa3626aef9f216d941d57888d6c5973e&utm_source=bing&utm_medium=cpc&utm_campaign=ShoppingUS-Desktop-5000&utm_term=4576442279358742&utm_content=Ad%20group%20%231 Jan. 20, 2020.*

* cited by examiner

Primary Examiner — Melanie Pellegrini
(74) *Attorney, Agent, or Firm* — Fitch, Even, Tabin & Flannery LLP

(57) **CLAIM**

I claim the ornamental design for a ring, as shown and described.

DESCRIPTION

FIG. 1 is a perspective view of a ring, showing my new design;
FIG. 2 is a front elevational view thereof;
FIG. 3 is a rear elevational view thereof;
FIG. 4 is a top plan view thereof;
FIG. 5 is a bottom plan view thereof;
FIG. 6 is a right side elevational view thereof; and,
FIG. 7 is a left side elevational view thereof.

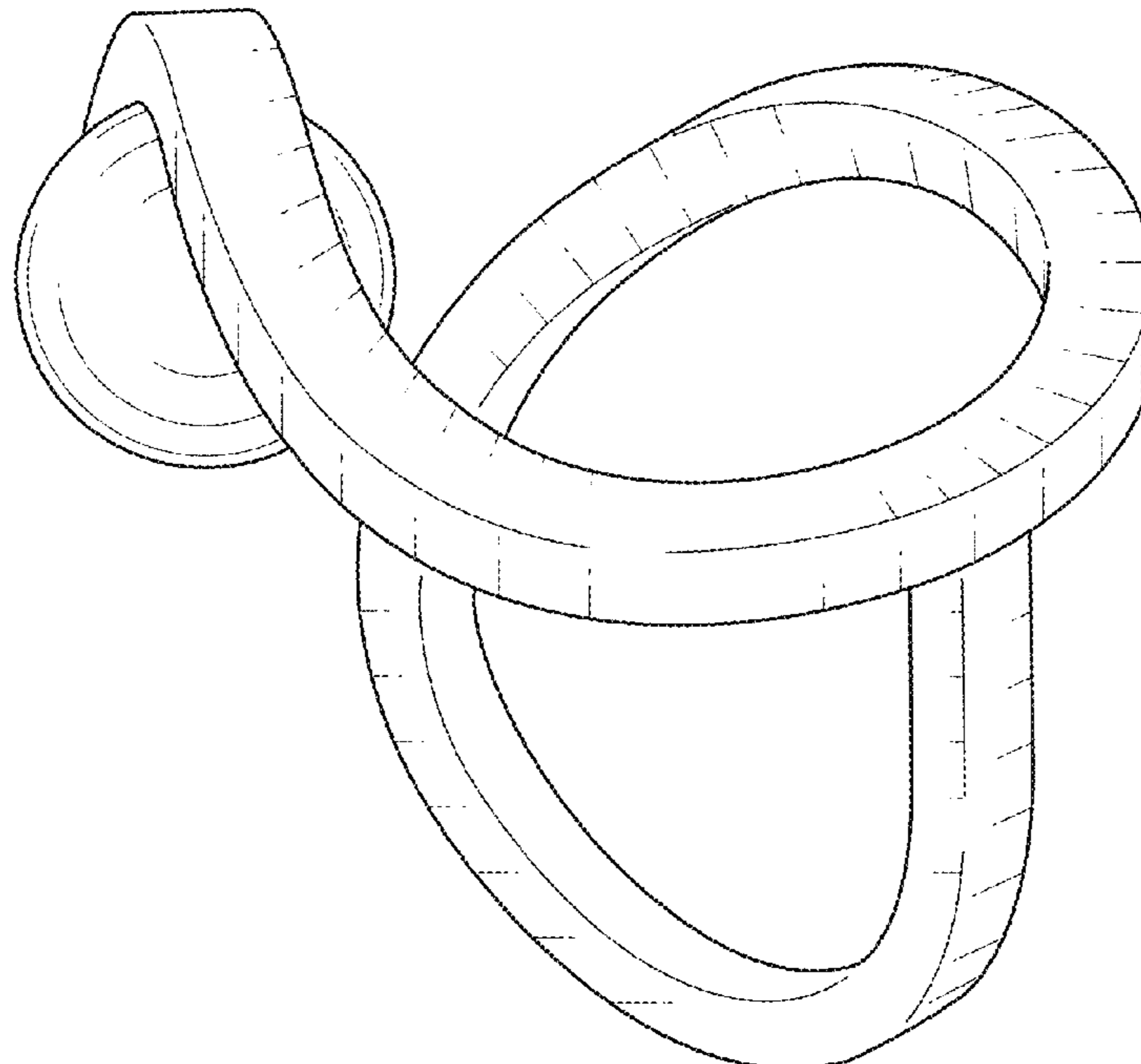
The broken lines illustrate portions of the ring and form no part of the claimed design.

1 Claim, 4 Drawing Sheets

(56) **References Cited**

U.S. PATENT DOCUMENTS

D135,259 S *	3/1943	Pereira	D11/27
D291,664 S *	9/1987	Kelman	D11/27
D354,697 S *	1/1995	Andrau	D11/28
D563,821 S *	3/2008	McKeever	D11/26
D576,909 S *	9/2008	McKeever	D11/26



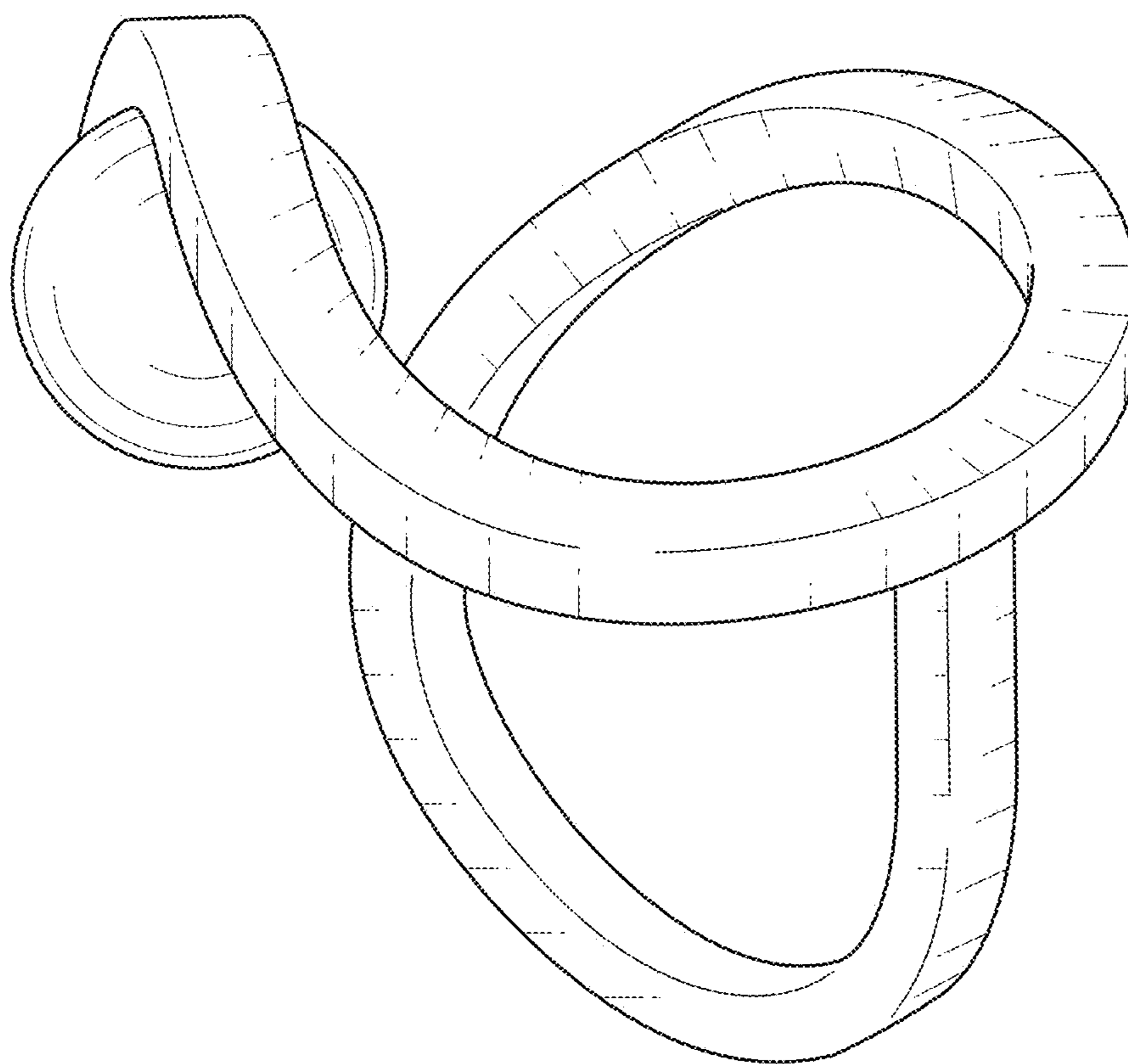


FIG. 1

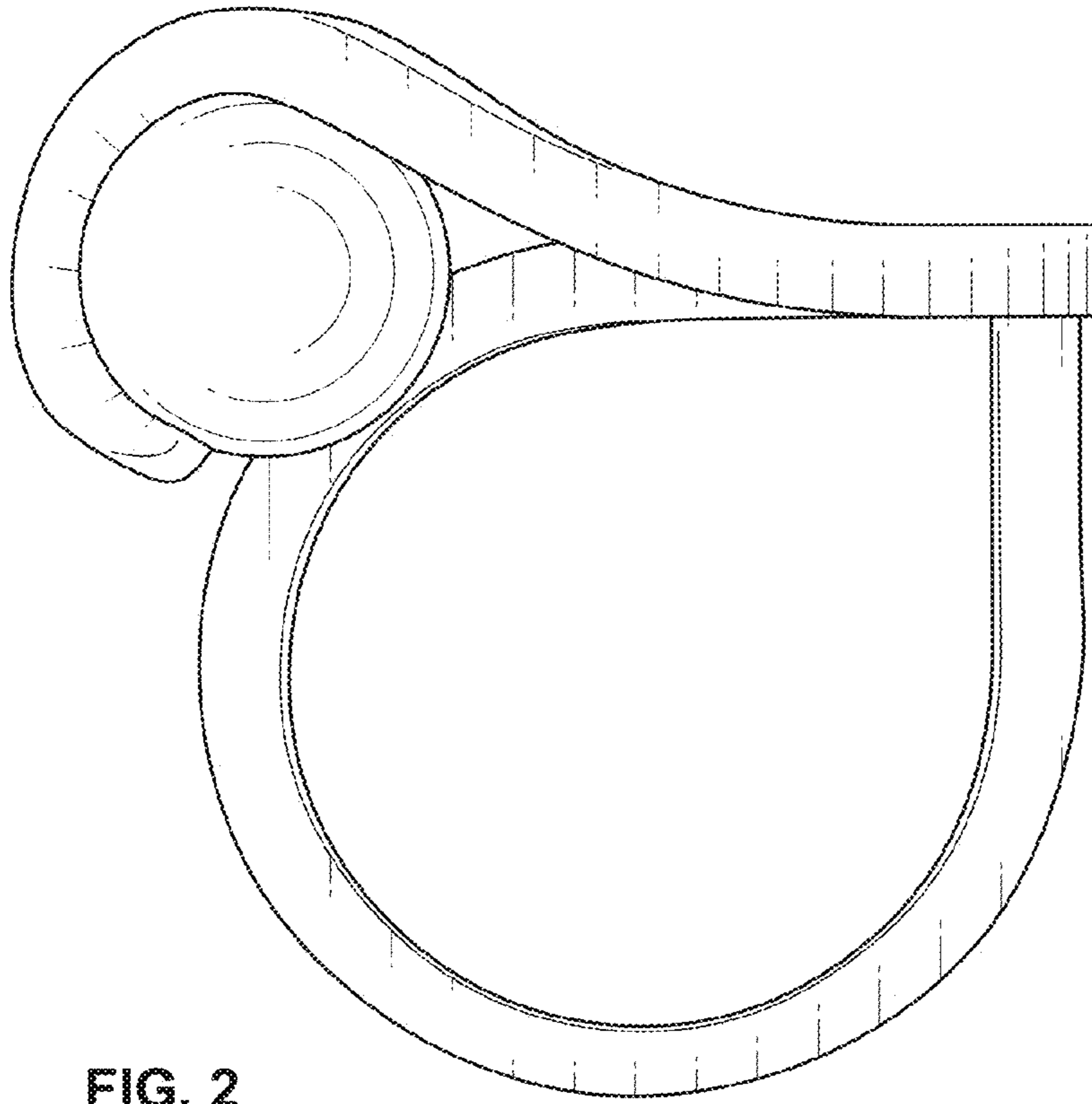


FIG. 2

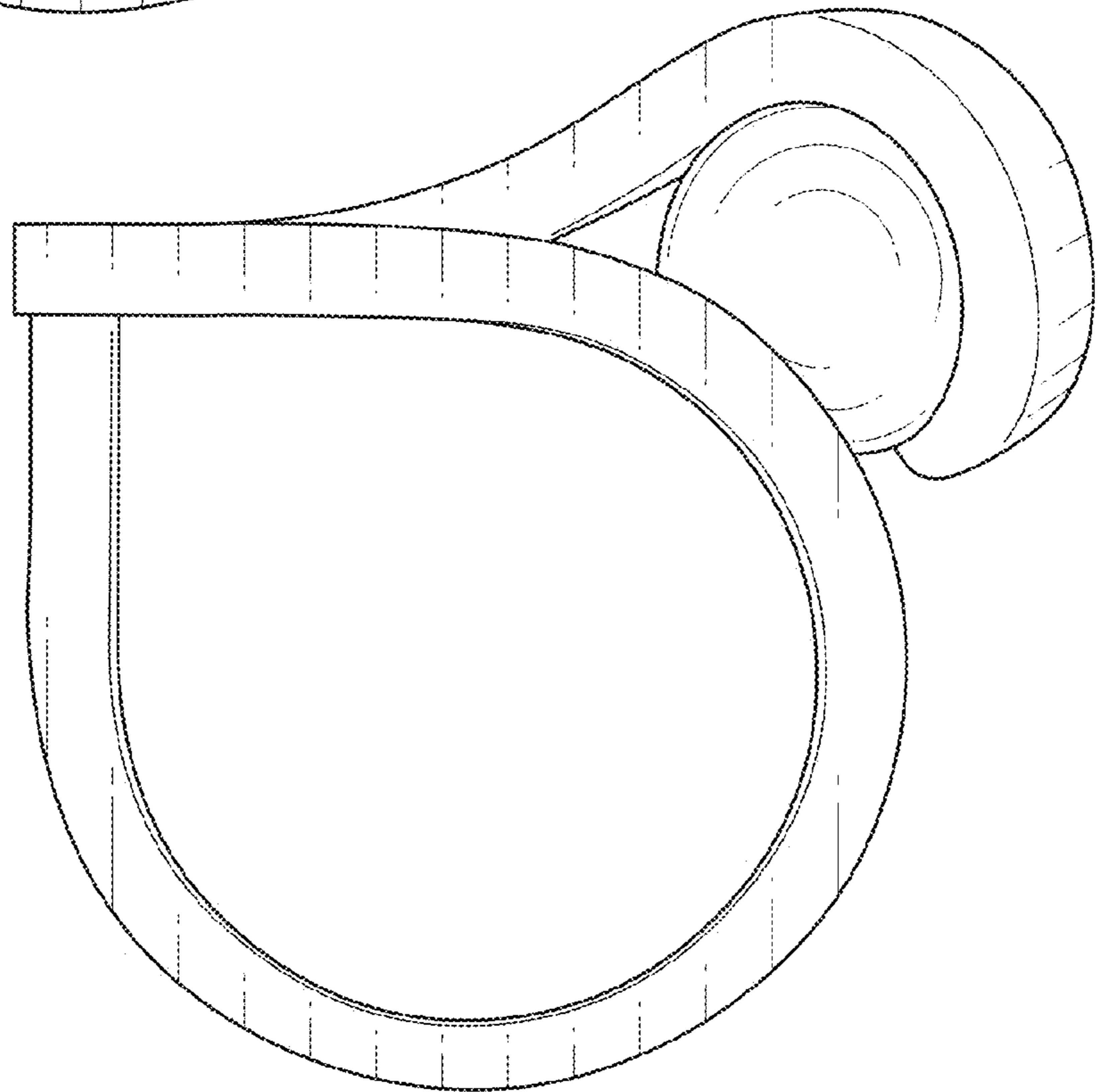


FIG. 3

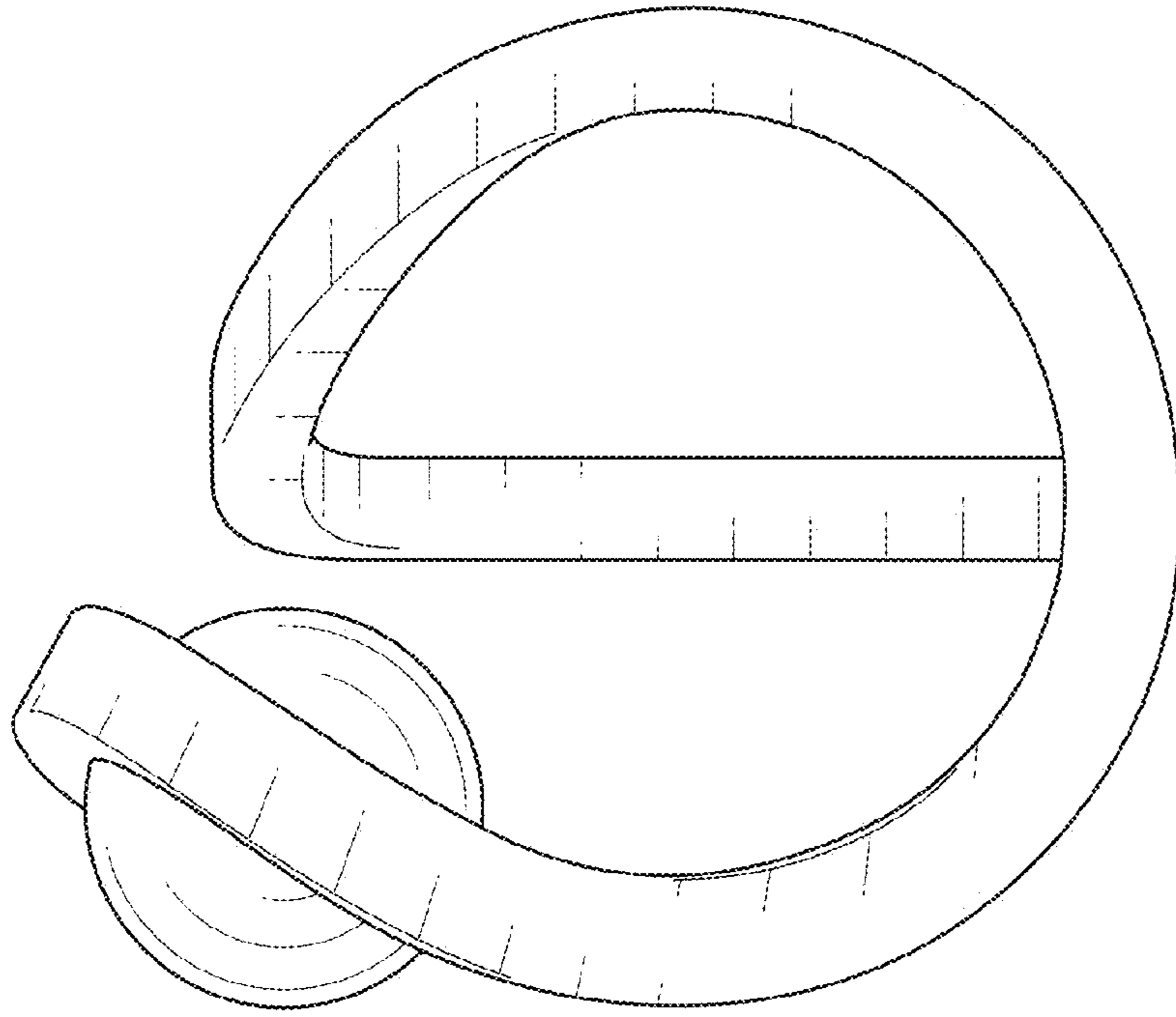


FIG. 4

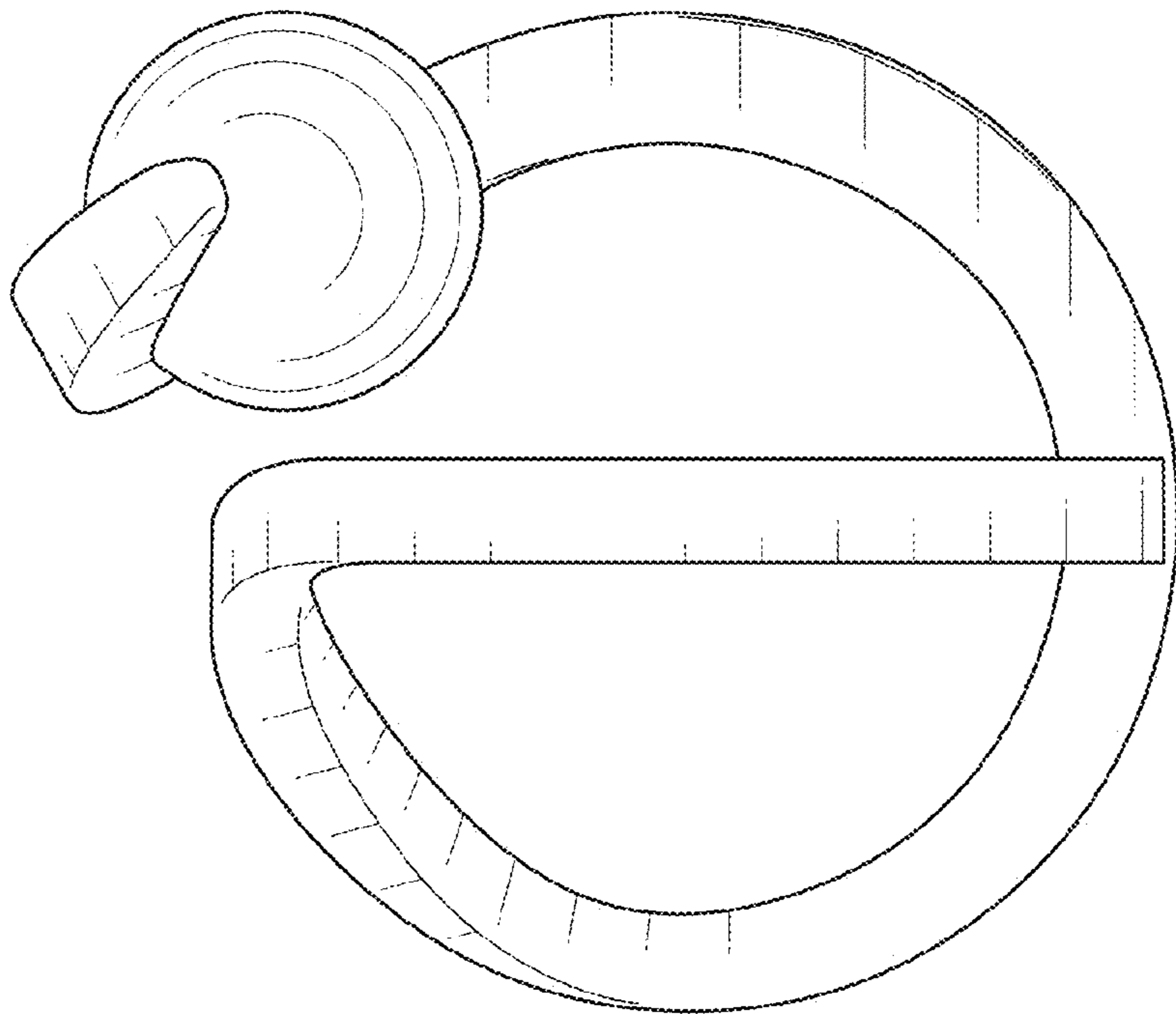


FIG. 5

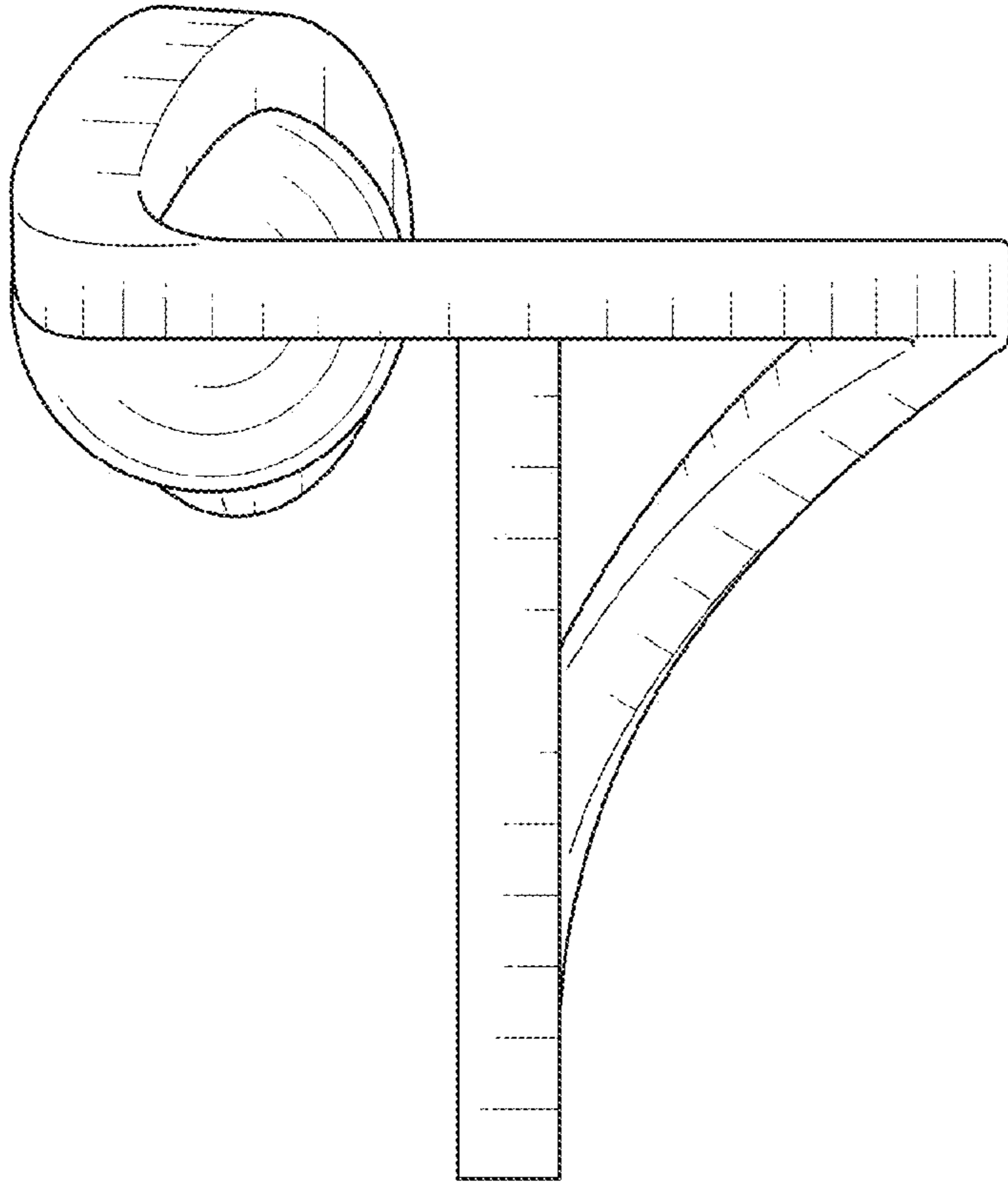


FIG. 6

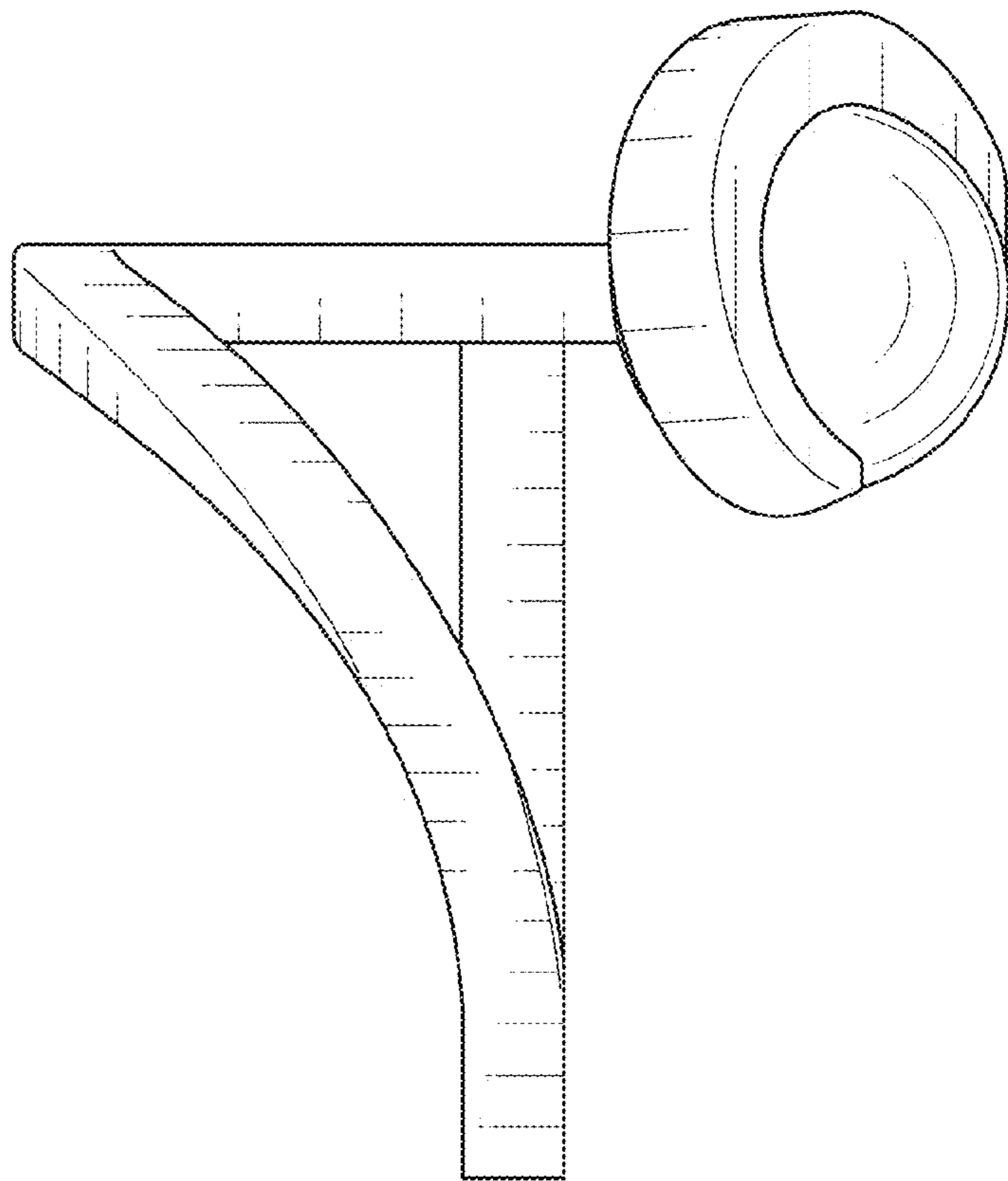


FIG. 7