



US00D885231S

(12) **United States Design Patent**
Laucella

(10) **Patent No.:** **US D885,231 S**

(45) **Date of Patent:** **** May 26, 2020**

(54) **WATCH BAND**

(71) Applicant: **Montres Breguet S.A., L'Abbaye (CH)**

(72) Inventor: **Vincent Laucella, Le Brassus (CH)**

(73) Assignee: **MONTRES BREGUET S.A.,
L'Abbaye (CH)**

(**) Term: **15 Years**

(21) Appl. No.: **29/654,144**

(22) Filed: **Jun. 21, 2018**

(30) **Foreign Application Priority Data**

Dec. 21, 2017 (WO) DM/099 118

(51) **LOC (12) Cl.** **11-01**

(52) **U.S. Cl.**
USPC **D11/3**

(58) **Field of Classification Search**
USPC D10/31, 32, 38, 39, 46, 70; D11/1-6,
D11/7-25, 87, 94; D14/344

CPC A44C 5/00; A44C 5/0007; A44C 5/0053;
A44C 5/0061; A44C 5/02; A44C 5/022;
A44C 5/025; A44C 5/027; A44C 5/08;
A44C 5/14; A44C 5/16; A44C 5/18

See application file for complete search history.

(56) **References Cited**

U.S. PATENT DOCUMENTS

D316,523 S *	4/1991	Hirabayashi	D10/32
D326,822 S *	6/1992	Wuest	D10/32
D353,340 S *	12/1994	Burgener	D10/32
D354,919 S *	1/1995	Wunderman	D10/32
D417,411 S *	12/1999	Cattin	D11/3
D489,281 S *	5/2004	Hill	D11/3
D509,150 S *	9/2005	Bodino	D10/32
D534,437 S *	1/2007	Modolo	D10/32
D611,841 S *	3/2010	Hatem	D10/32
D762,126 S *	7/2016	Izuka	D10/126

OTHER PUBLICATIONS

The Bering Titanium Collection (available online Oct. 24, 2016)
Retrieved from the internet Mar. 5, 2020 from URL: <https://www.youtube.com/watch?v=gjMzkEKGs4I>.*

Tiffany_1837_Makers_27_mm_square_watch (available online)
Retrieved from the internet Mar. 5, 2020 from URL: <https://www.tiffany.com/watches/mens-watches/tiffany-1837-makers-27-mm-square-watch-67460650/>.*

Marine Chronographe 5527 | Breguet (available online) Retrieved
from the internet Mar. 5, 2020 from URL: <https://www.breguet.com/en/timepieces/new-models-la-marine/5527>.*

Cartier-pasha-seatimer-watch-bracelet (available online) Retrieved
from the internet Mar. 5, 2020 from URL: <https://assets.suredone.com/2509/media-photos/ewp003355-22mm-watch-band-for-fit-42mm-cartier-pasha-seatimer-watch-bracelet-s-steel.jpg>.*

* cited by examiner

Primary Examiner — Kevin K Rudzinski

Assistant Examiner — Richard Kearney

(74) *Attorney, Agent, or Firm* — Abelman, Frayne & Schwab

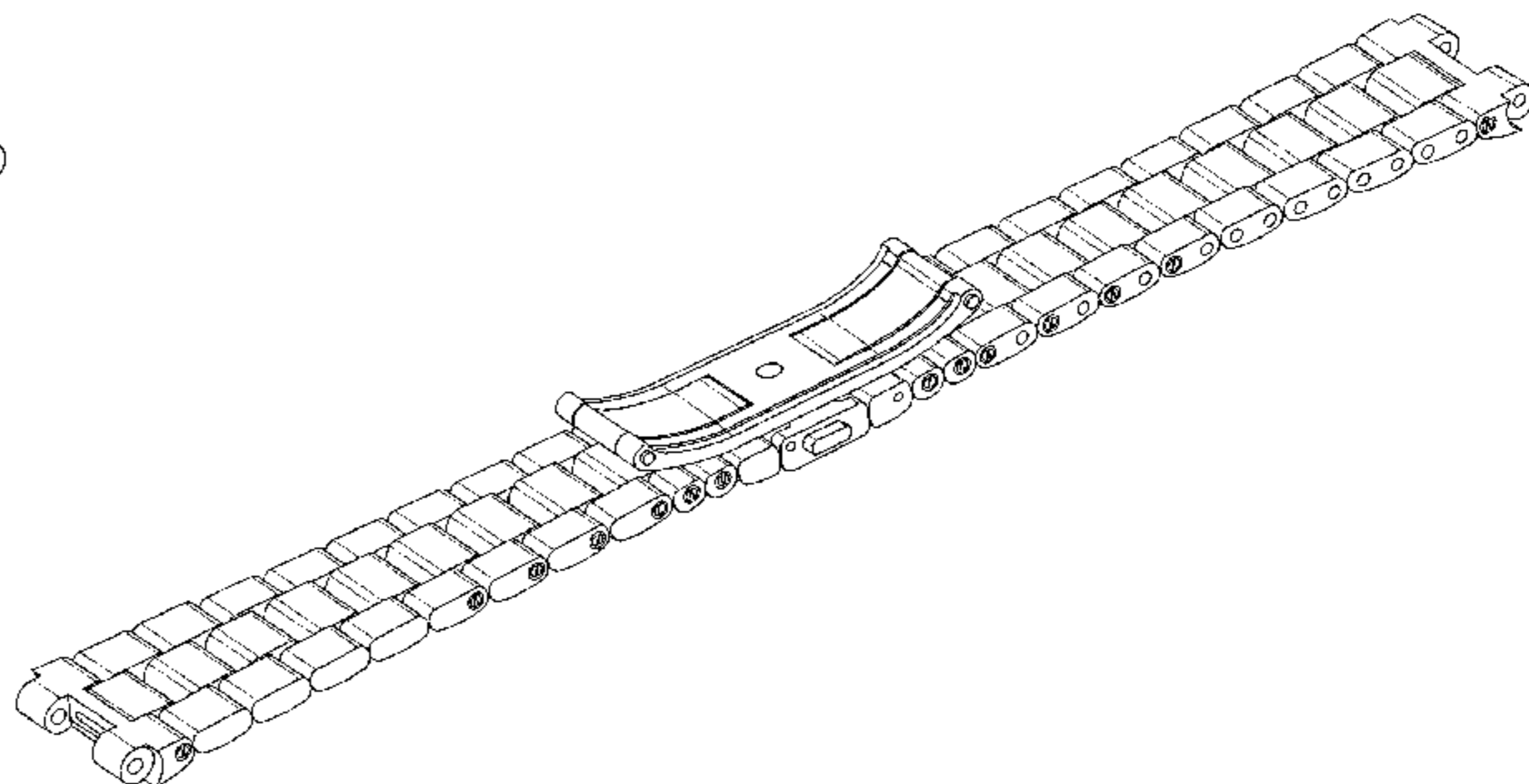
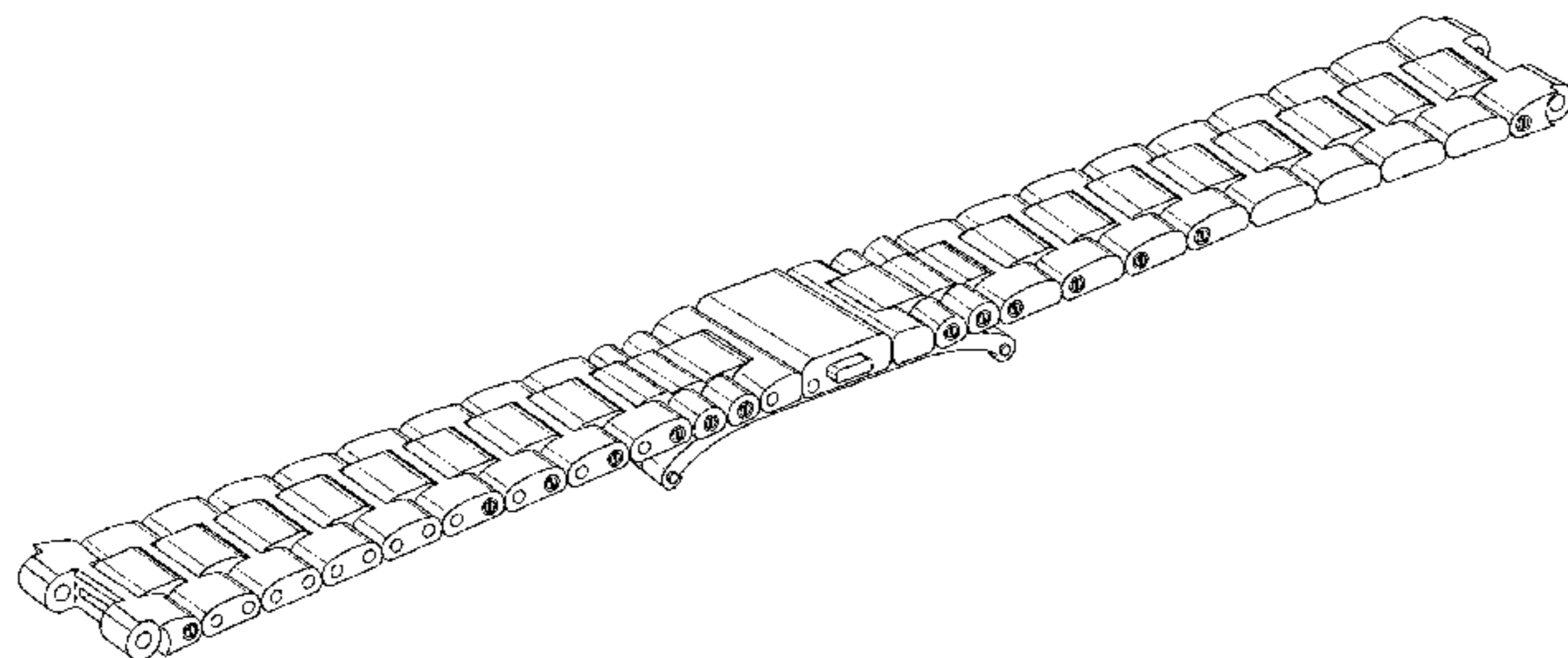
(57) **CLAIM**

The ornamental design for a watch band, as shown and described.

DESCRIPTION

FIG. 1 is a top view of a watch band of the present design;
FIG. 2 is a bottom view thereof;
FIG. 3 is a right side view thereof;
FIG. 4 is a left side view thereof;
FIG. 5 is an end view thereof;
FIG. 6 is another end view thereof;
FIG. 7 is a top perspective view thereof; and,
FIG. 8 is a bottom perspective view thereof.

1 Claim, 8 Drawing Sheets



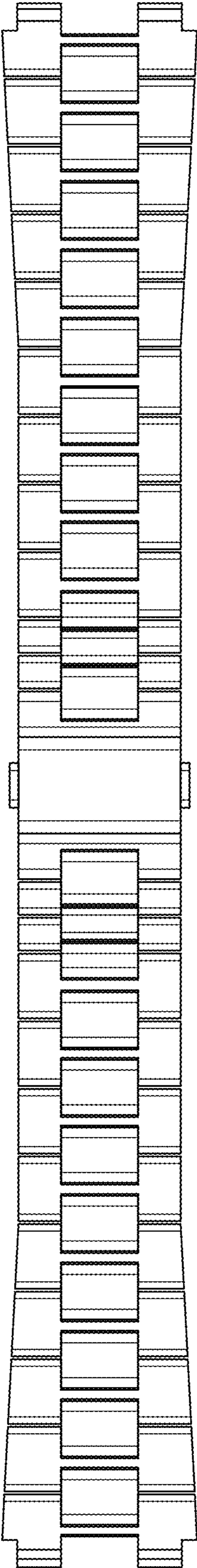


FIG. 1

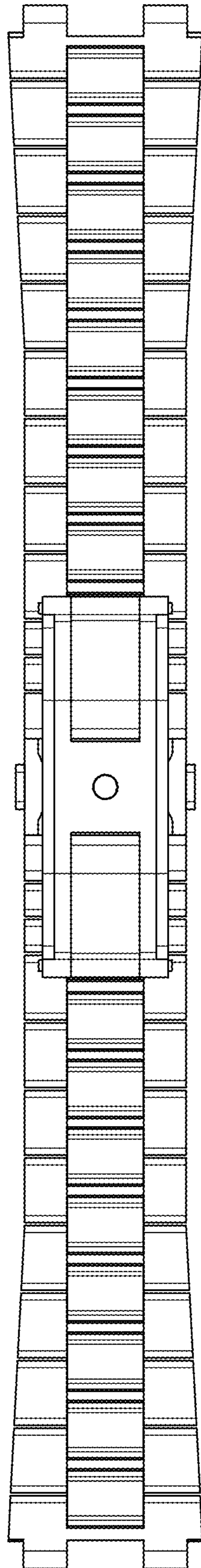


FIG. 2

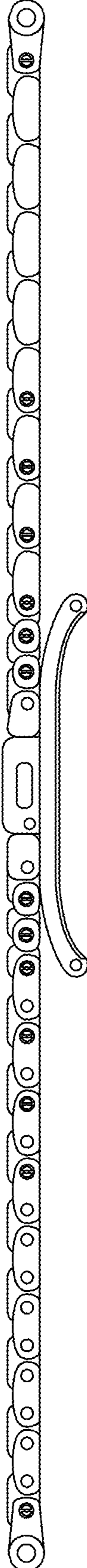


FIG. 3

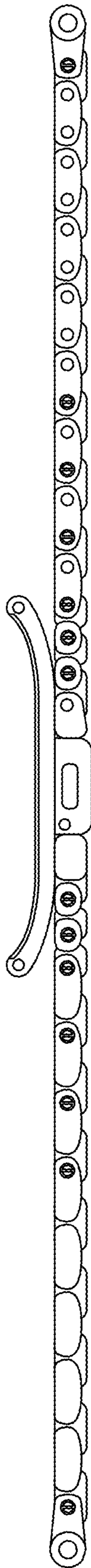


FIG. 4

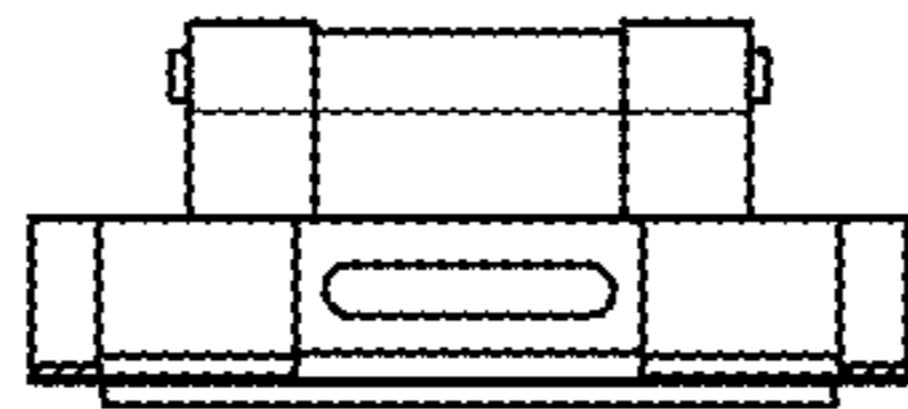


FIG. 5

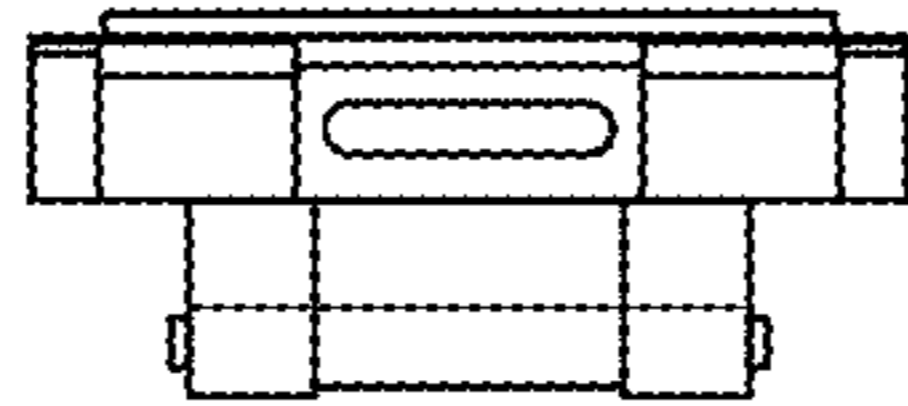


FIG. 6

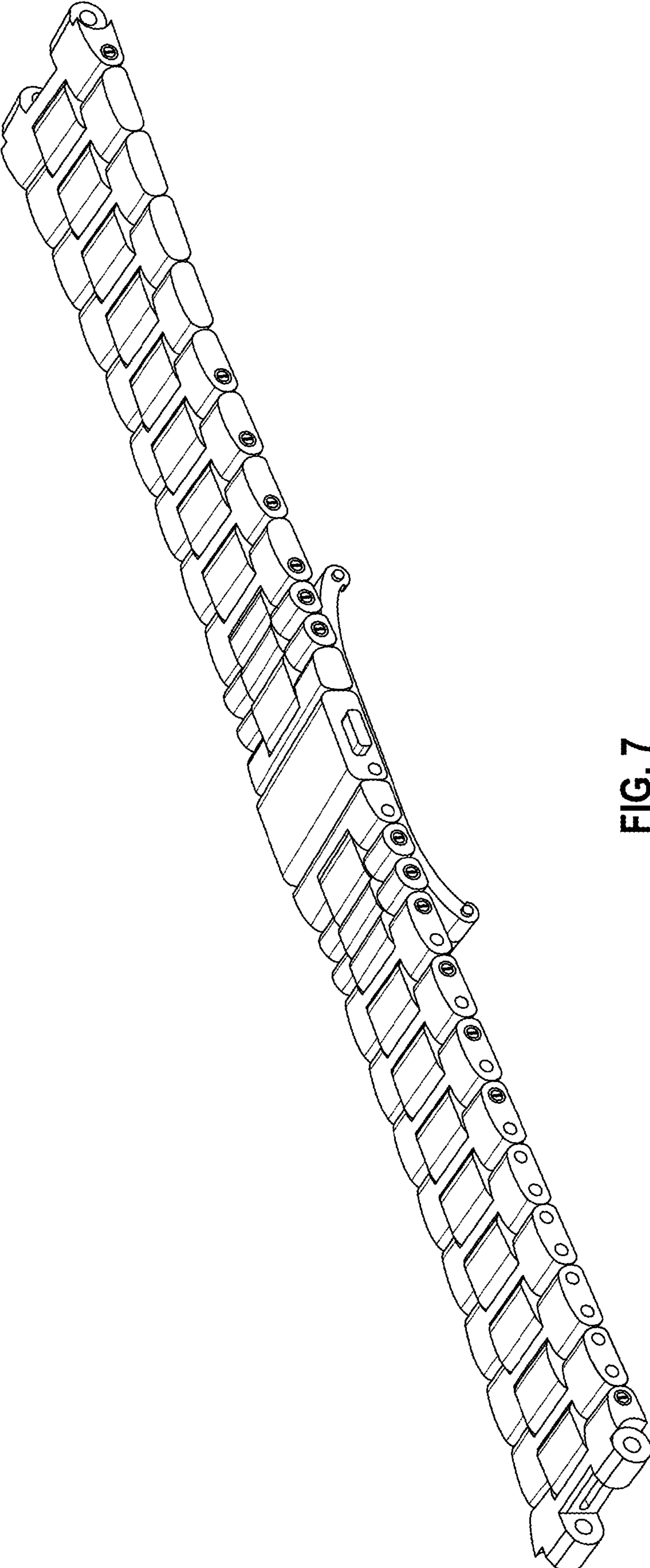


FIG. 7

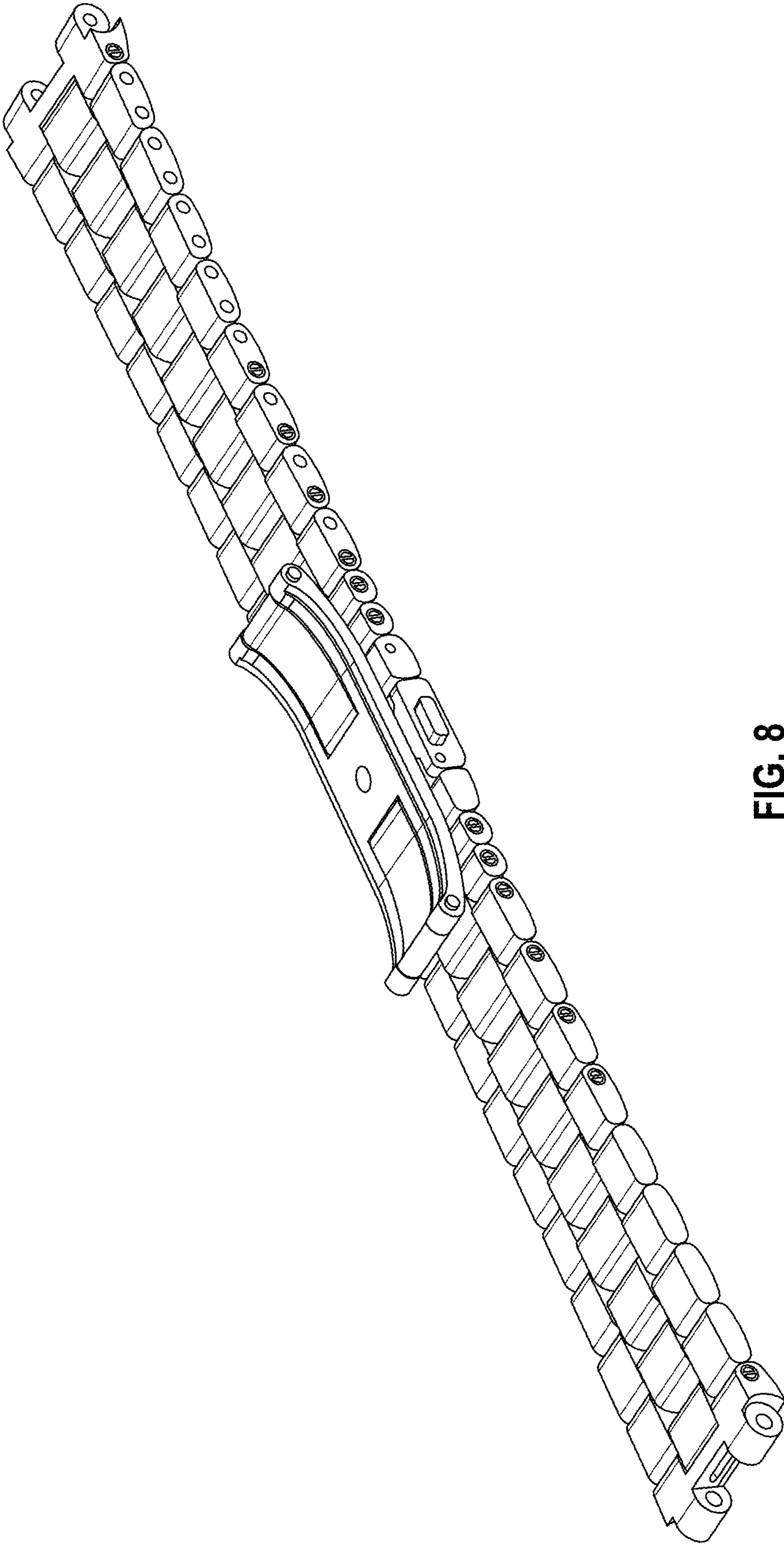


FIG. 8