



US00D885230S

(12) **United States Design Patent** (10) **Patent No.:** **US D885,230 S**
Kim (45) **Date of Patent:** **** *May 26, 2020**

- (54) **WATCH CASE**
- (71) Applicant: **Spigen, Inc.**, Irvine, CA (US)
- (72) Inventor: **Woo Jin Kim**, Fullerton, CA (US)
- (73) Assignee: **SPIGEN, INC.**, Irvine, CA (US)
- (*) Notice: This patent is subject to a terminal disclaimer.
- (**) Term: **15 Years**
- (21) Appl. No.: **29/625,863**
- (22) Filed: **Nov. 13, 2017**
- (51) **LOC (12) Cl.** **10-07**
- (52) **U.S. Cl.**
USPC **D10/132; D14/440**
- (58) **Field of Classification Search**
USPC D10/1, 2, 5, 14-15, 30-32, 37-39,
D10/40-41, 61, 70, 74, 80, 103, 122-124,
D10/126-128, 132; D11/3; D14/344,
D14/138 R, 432, 439, 440; D24/167, 186
CPC G04F 1/00; G04F 5/00; G04F 7/06; G04F
7/062; G04F 7/065; G04F 3/00; G04F
3/06; G04F 3/08; G04C 23/00; G04C
23/02; G04C 23/04; G04C 23/06; G04C
23/08; G04B 19/00; G04B 19/06; G04B
45/00; G04B 37/00; A44C 5/00; A44C
5/06; A44C 5/14; A45C 11/12; H04M
1/00; H04M 1/18; H04B 1/3888
See application file for complete search history.

(56) **References Cited**

U.S. PATENT DOCUMENTS

- 7,630,746 B2 * 12/2009 Holmberg H04M 1/18
206/320
- D647,107 S * 10/2011 Akana D14/203.3
- D656,135 S * 3/2012 Swartz D14/238.1
- 8,523,124 B2 * 9/2013 Yuan F16M 11/10
248/188.8

- D752,044 S * 3/2016 Akana D14/344
 - D766,904 S * 9/2016 Jung D14/440
 - D766,905 S * 9/2016 Lee D14/440
- (Continued)

OTHER PUBLICATIONS

Apple Watch Series 2 Caseology 42mm | posted at amazon.com n.d.; earliest review Jan. 2017 © 1996-2018, Amazon.com, Inc [online][site visited Jul. 19, 2018]. Available from internet:<https://www.amazon.com/CaseologyRugged-Protective-Resistant-Bumper/dp/B01N0QYUR4> (Year: 2017).*

(Continued)

Primary Examiner — Karen E Kearney
Assistant Examiner — Katherine Glennon
(74) *Attorney, Agent, or Firm* — Heedong Chae; Lucem, PC

(57) **CLAIM**

The ornamental design for a watch case, as shown and described.

DESCRIPTION

FIG. 1 is a top perspective view showing the top, front, and right sides as well as the inner left interior surface of a watch case;

FIG. 2 is a bottom perspective view showing the bottom, front, and left sides as well as the inner right interior surface of the watch case;

FIG. 3 is a further bottom perspective view showing the bottom, front, and right sides as well as the inner left interior surface of the watch case;

FIG. 4 is a further bottom perspective view showing the bottom, left, and back sides of the watch case;

FIG. 5 is a front elevation view of the watch case;

FIG. 6 is a rear elevation view of the watch case;

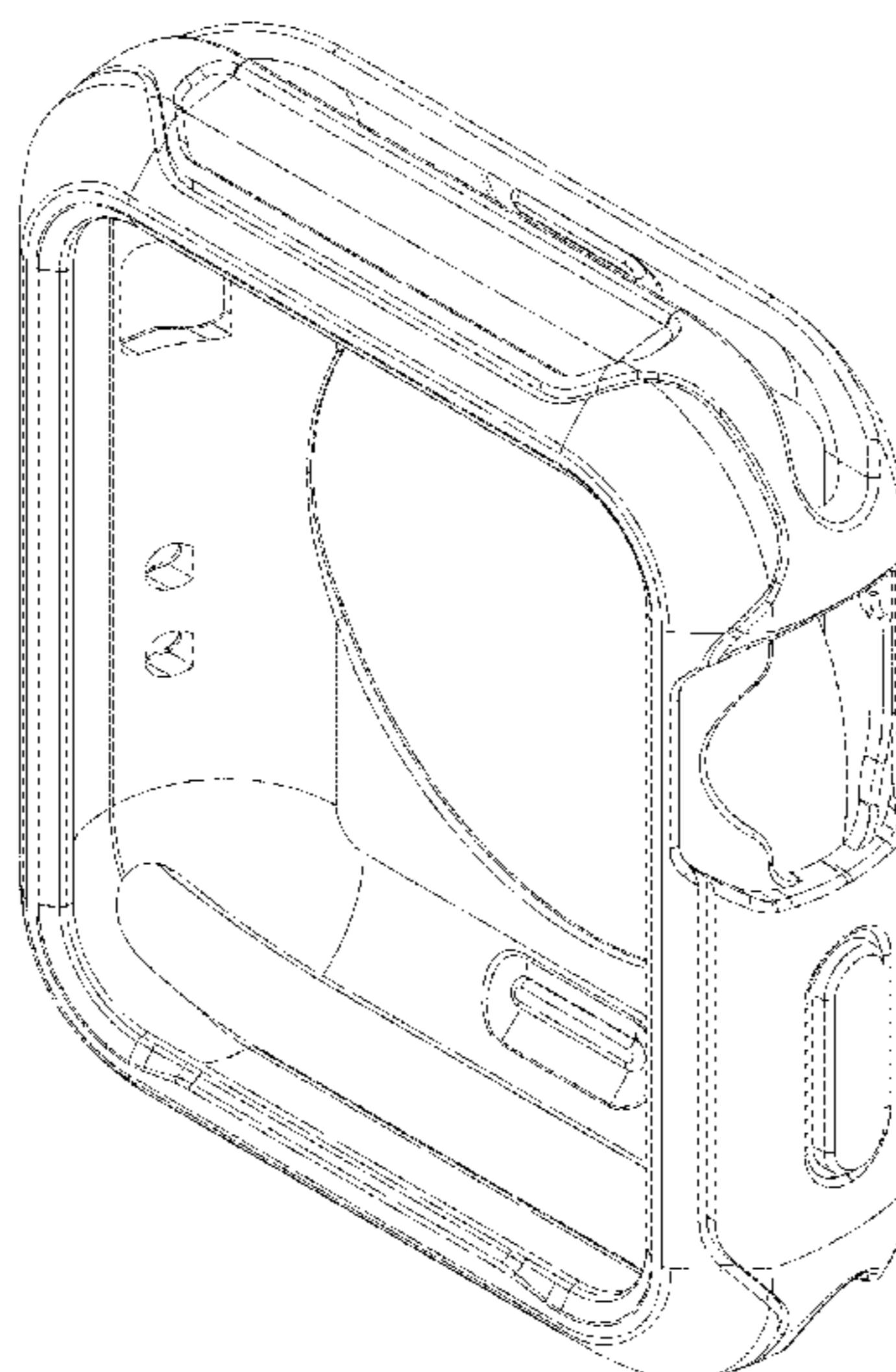
FIG. 7 is a left side elevation view of the watch case;

FIG. 8 is a right side elevation view of the watch case;

FIG. 9 is a top plan view of the watch case; and,

FIG. 10 is a bottom plan view of the watch case.

1 Claim, 8 Drawing Sheets



(56)

References Cited

U.S. PATENT DOCUMENTS

D766,906	S *	9/2016	Kim	D14/440
D767,573	S *	9/2016	Kim	D14/440
D769,879	S *	10/2016	Kim	D14/440
D771,504	S *	11/2016	Lai	D10/30
D772,730	S *	11/2016	Lai	D10/38
D780,740	S *	3/2017	Kim	D14/250
D784,837	S *	4/2017	Kuramoto	D10/132
D786,879	S *	5/2017	Kim	D14/440
D795,089	S *	8/2017	Wright	D10/32
D799,344	S *	10/2017	Wright	D10/30
2017/0035156	A1 *	2/2017	Wright	A45C 13/008
2017/0248922	A1 *	8/2017	Hynecek	G04B 37/005

OTHER PUBLICATIONS

Caseology 42mm Vault Apple Watch Case | posted at caseologycases.com n.d.; earliest review Oct. 20, 2017 2018 © All Rights [online][site visited Jul. 20, 2018], Available from internet: <<https://www.caseologycases.com/products/apple-watch-series-2-42mm-case-vault-case#caseology-yotpo-review>> (Year: 2017).*

Caseology Vault Series Apple Watch Case Review | posted by Tech Jungle at youtube.com Feb. 2017 [online] [site visited Jul. 20, 2018]. Available from internet: <<https://www.youtube.com/watch?v=aBIZojqG4A4>> (Year: 2017).*

“Rugged Armor Designed for Apple Watch Case for 42mm Series 3/Series 2/1/Original (2015)—Black”, <https://www.amazon.com/dp/B07984JN3L>, earliest review date of Apr. 30, 2015, downloaded on Jan. 15, 2019.

“Spigen Tough Armor Designed for Apple Watch Case and Built in Screen Protector for 42mm (2015)—Gunmetal”, <https://www.amazon.com/dp/B00UVSOWBY>, earliest review date of May 7, 2015, downloaded on Jan. 15, 2019.

“Spigen Tough Armor Designed for Apple Watch Case for 42mm Series 3 / Series 2/1 / Original (2015) / Nike+ Sport Edition and Built in Screen Protector—Gunmetal”, <https://www.amazon.com/dp/B01N74P26H>, earliest review date of Jan. 4, 2017, downloaded on Jan. 15, 2019.

* cited by examiner

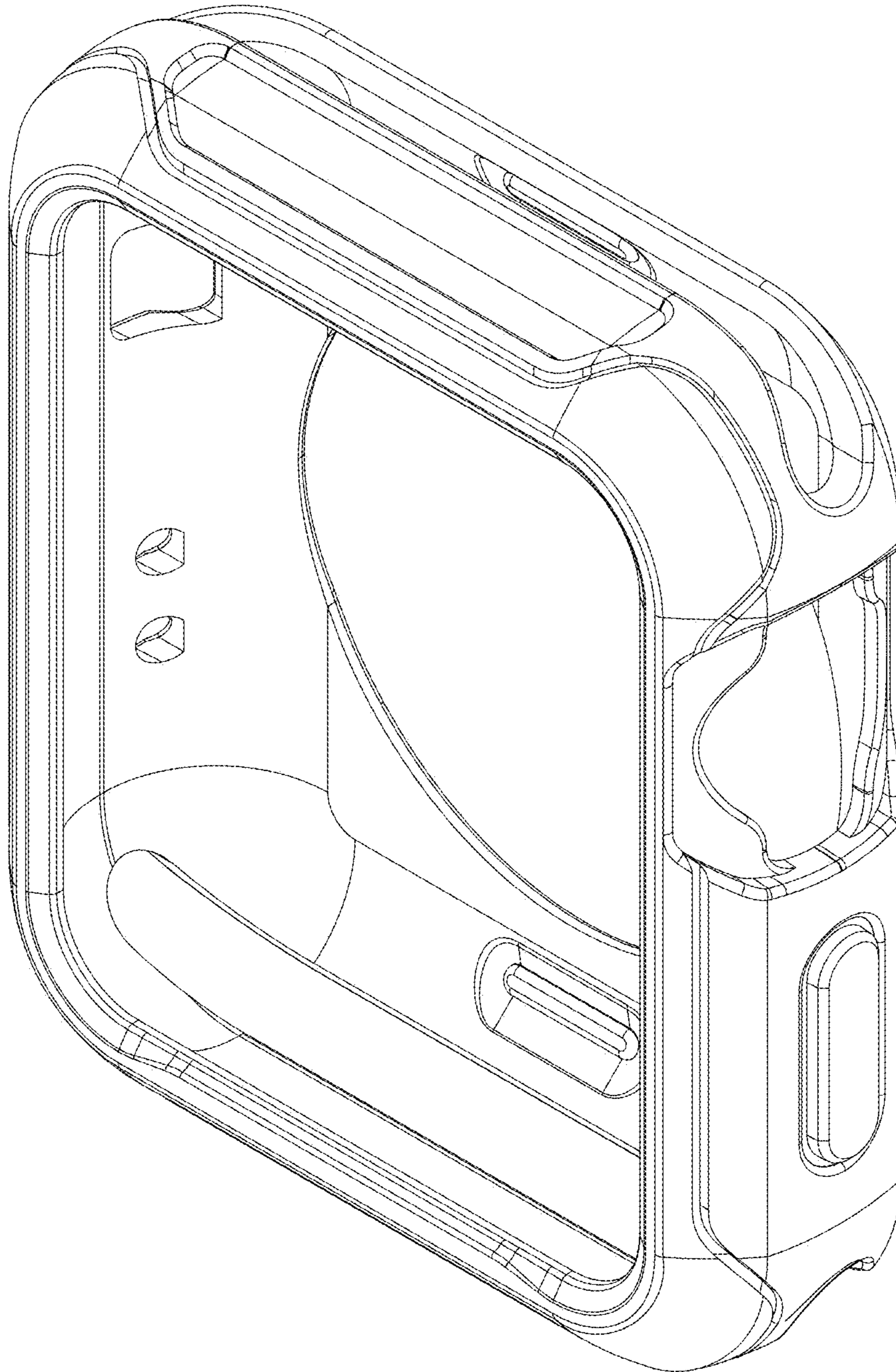


FIG. 1

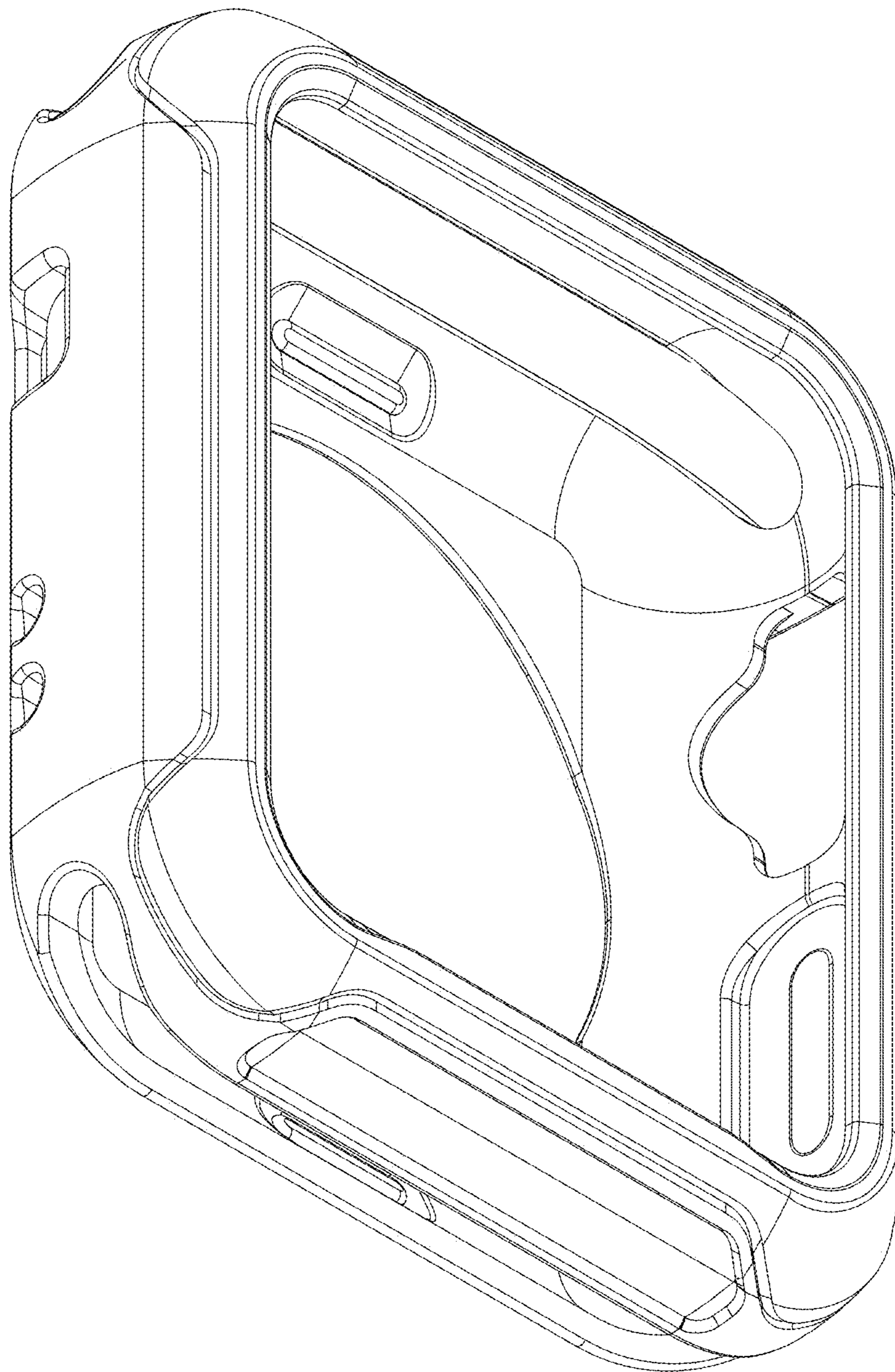


FIG. 2

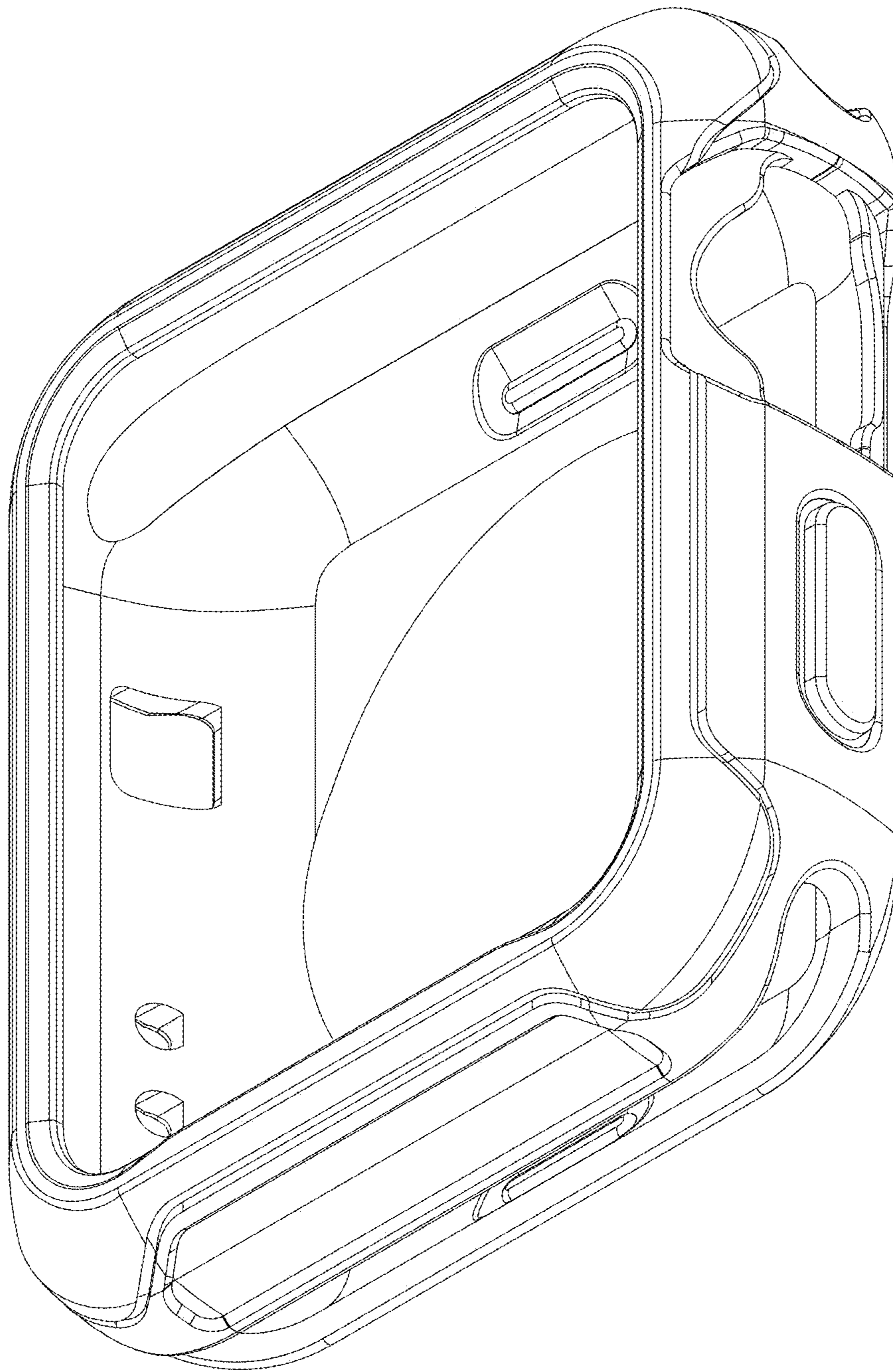


FIG. 3

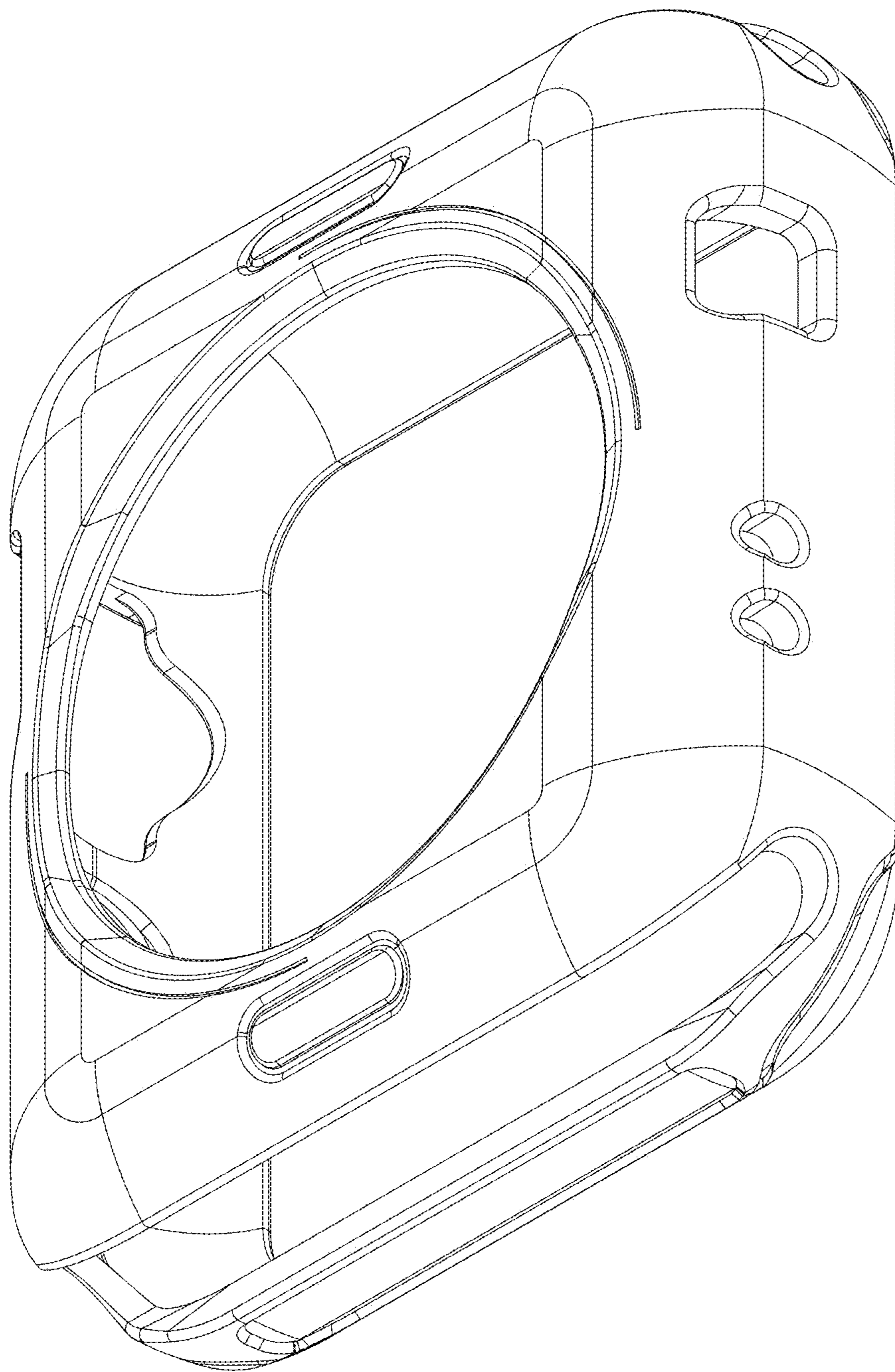


FIG. 4

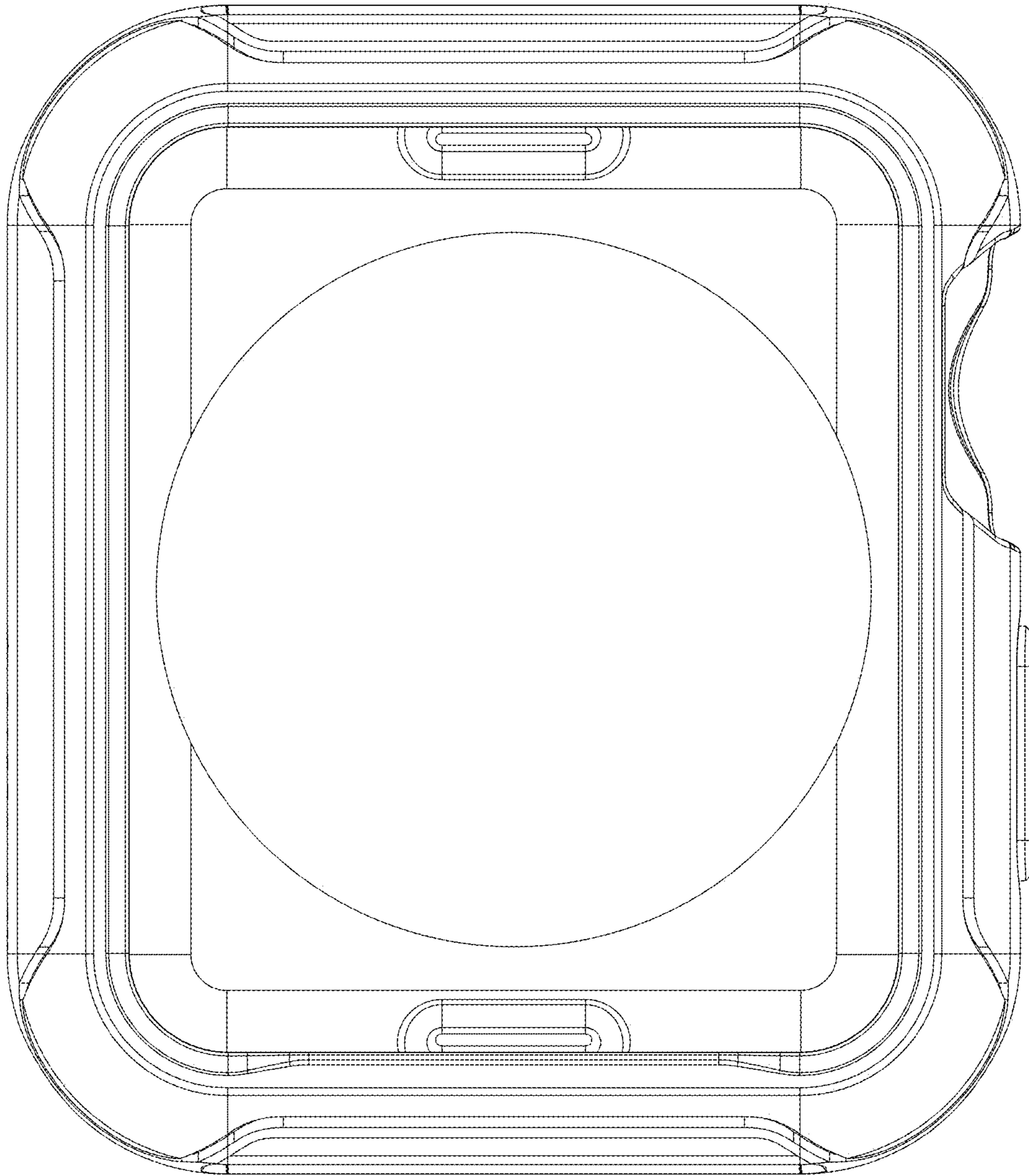


FIG. 5

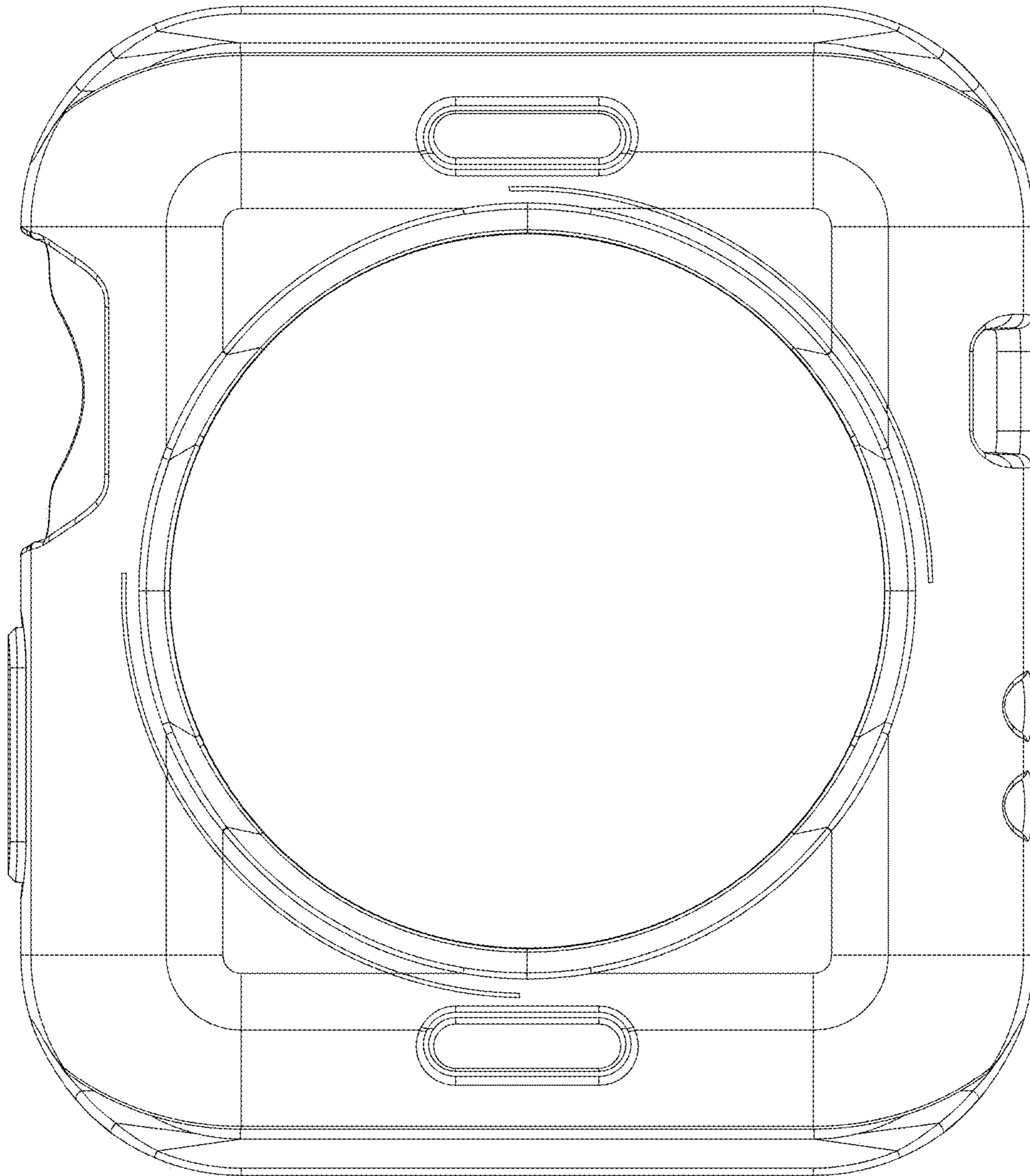


FIG. 6

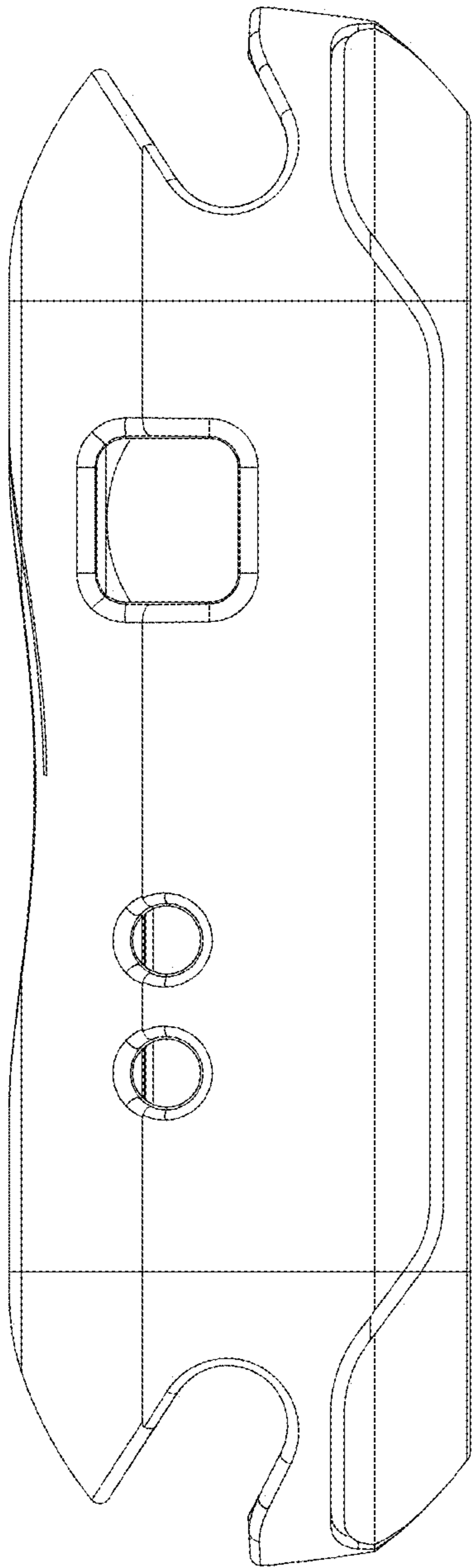


FIG. 7

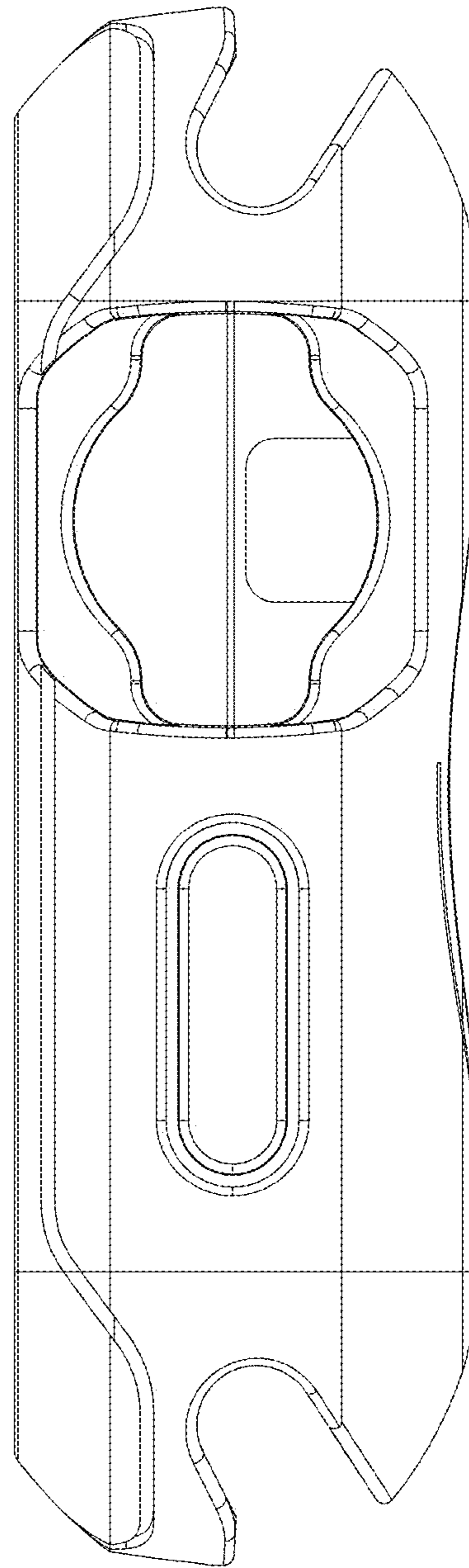


FIG. 8

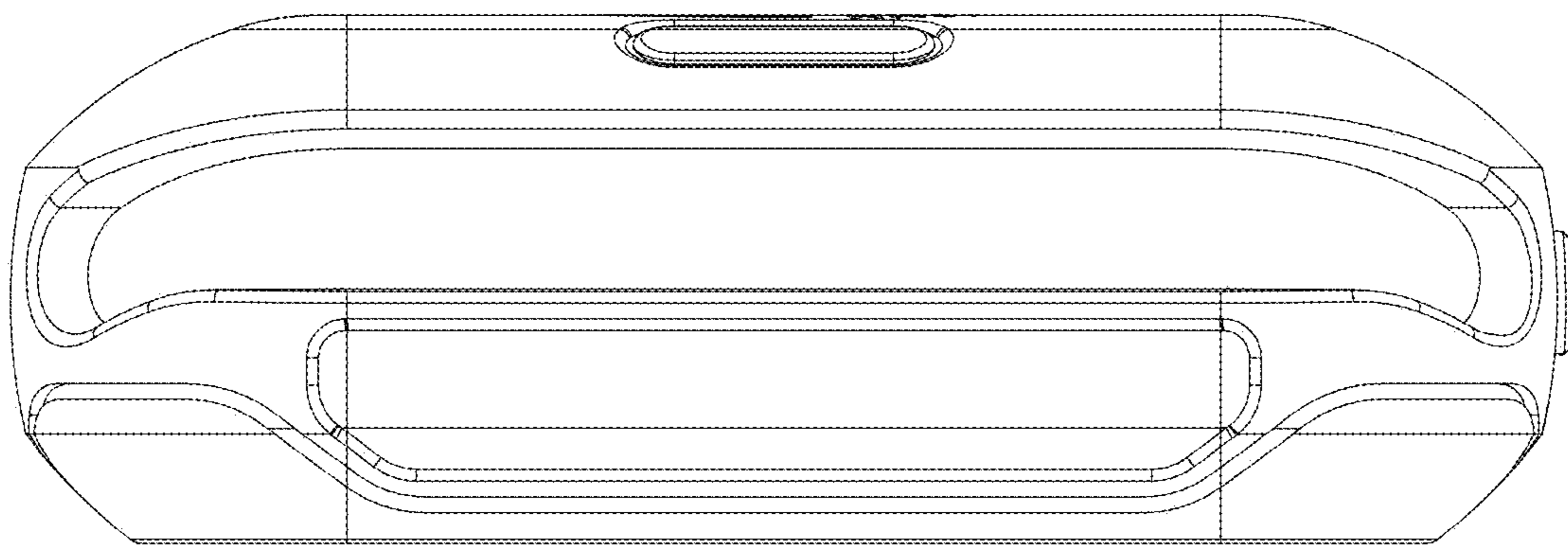


FIG. 9

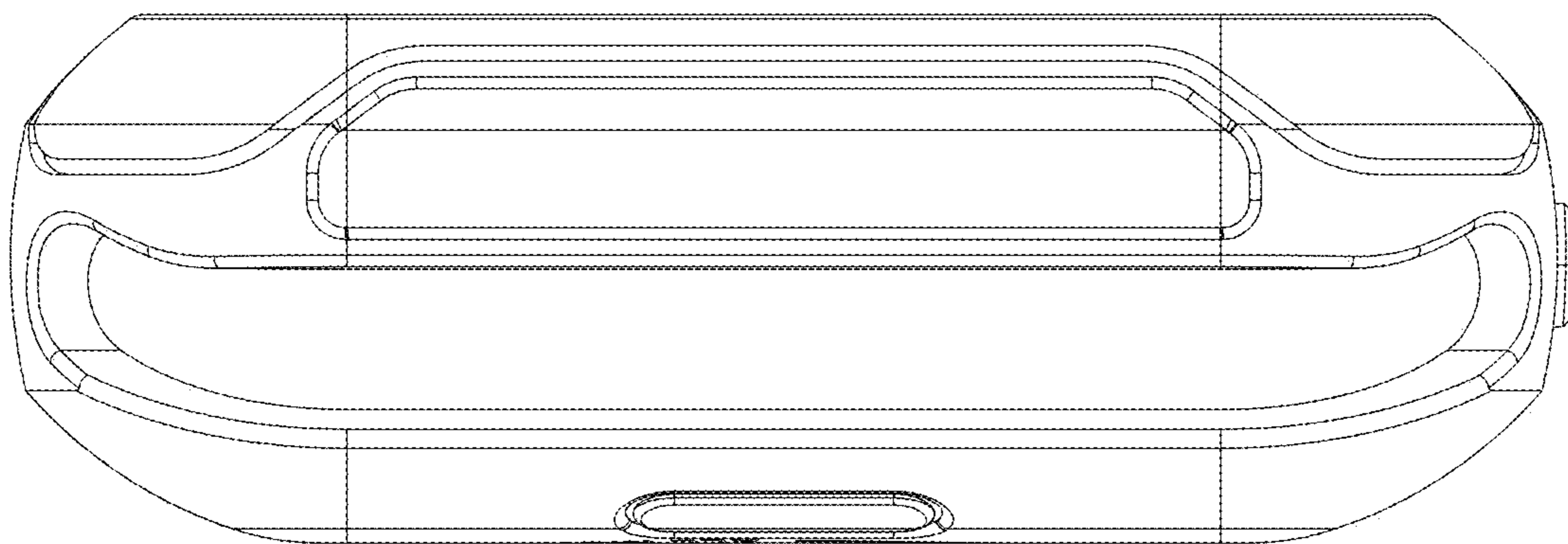


FIG. 10