



US00D885228S

(12) **United States Design Patent** (10) **Patent No.:** **US D885,228 S**
Lasserre (45) **Date of Patent:** **** May 26, 2020**

(54) **DIAL**

(71) Applicant: **HARRY WINSTON SA,**
Plan-les-Ouates (CH)

(72) Inventor: **Christophe Lasserre,** Geneva (CH)

(73) Assignee: **Harry Winston SA,** Plan-les-Ouates (CH)

(**) Term: **15 Years**

(21) Appl. No.: **29/615,998**

(22) Filed: **Sep. 1, 2017**

(30) **Foreign Application Priority Data**

Mar. 2, 2017 (WO) DM/095 098

(51) **LOC (12) Cl.** **10-07**

(52) **U.S. Cl.**
USPC **D10/126**

(58) **Field of Classification Search**
 USPC D10/1-39, 65, 70, 122-132; D14/344, D14/138 R
 CPC ... G04F 1/00; G04F 1/06; G04F 1/063; G04F 7/06; G04F 7/0861; G04F 7/0871; G04F 7/08; G04F 7/0804; G04F 7/0842; G04F 7/0876; G04F 19/00; G04F 19/02; G04F 19/04; G04F 19/06; G04F 19/08; G04F 19/26; G04F 19/24; G04F 39/00; G04F 39/002; G04F 39/004; G04F 39/006; A01G 25/165; B05B 12/02

See application file for complete search history.

(56) **References Cited**

U.S. PATENT DOCUMENTS

D744,865 S	*	12/2015	Behling	D10/126
D769,762 S	*	10/2016	Behling	D10/126
D778,758 S	*	2/2017	Ruffieux	D10/126
D795,117 S	*	8/2017	Monachon	D10/126
D796,982 S	*	9/2017	Muller	D10/126
D797,594 S	*	9/2017	Lasserre	D10/126
D820,692 S	*	6/2018	Antifora	D10/39
D821,243 S	*	6/2018	Usadel	D10/126
D822,521 S	*	7/2018	Usadel	D10/126

* cited by examiner

Primary Examiner — Lilyana Bekic

Assistant Examiner — Aula Soroush

(74) *Attorney, Agent, or Firm* — Blank Rome LLP

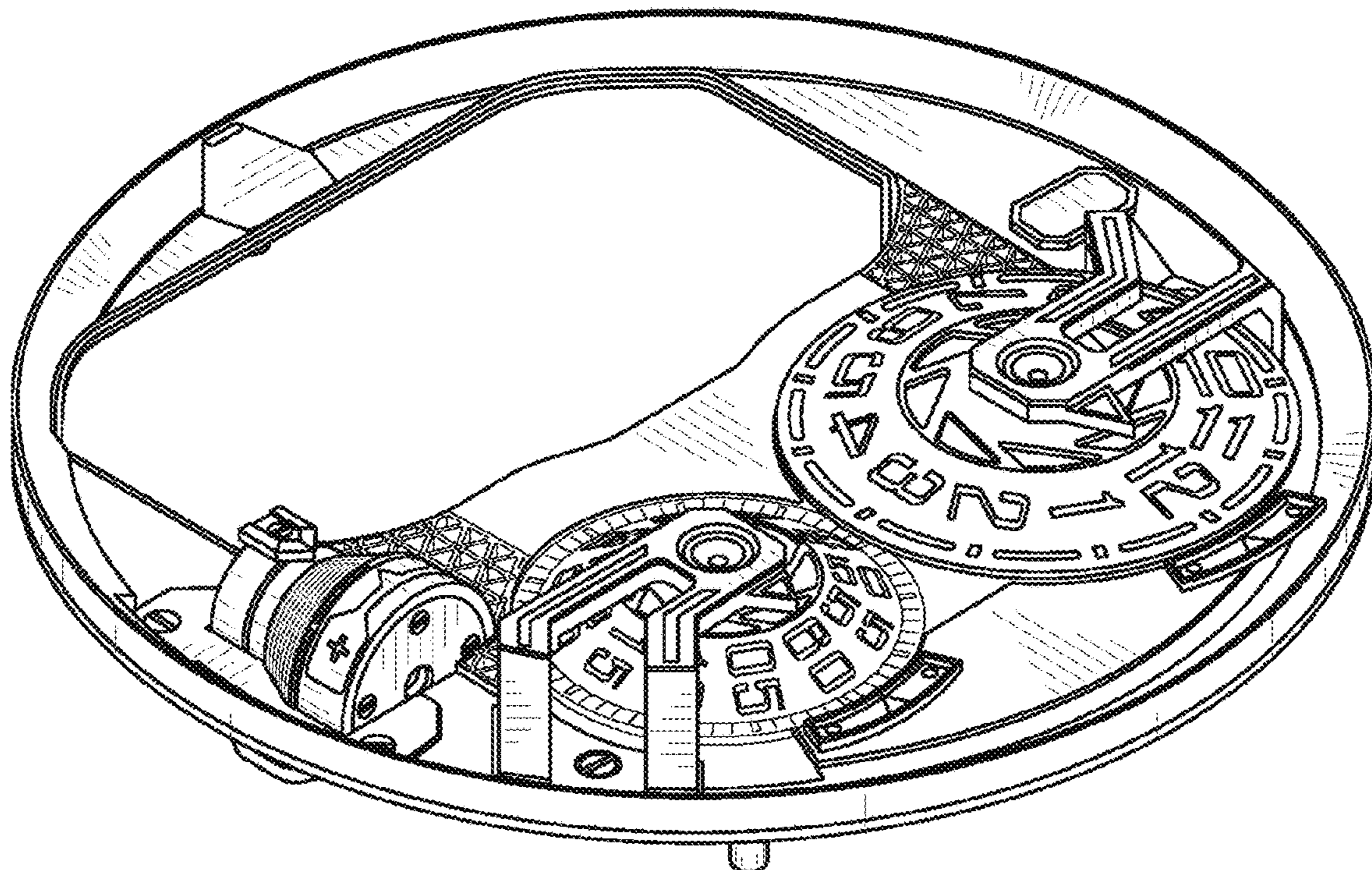
(57) **CLAIM**

The ornamental design for a dial, as shown.

DESCRIPTION

FIG. 1 is a front right perspective view of a dial showing my new design;
 FIG. 2 is a front view thereof;
 FIG. 3 is a rear view thereof;
 FIG. 4 is a left side view thereof;
 FIG. 5 is a right side view thereof;
 FIG. 6 is a top view thereof;
 FIG. 7 is a bottom view thereof; and,
 FIG. 8 is a rear left perspective view thereof.
 The broken lines in the drawings illustrate portions of the dial that form no part of the claimed design.

1 Claim, 5 Drawing Sheets



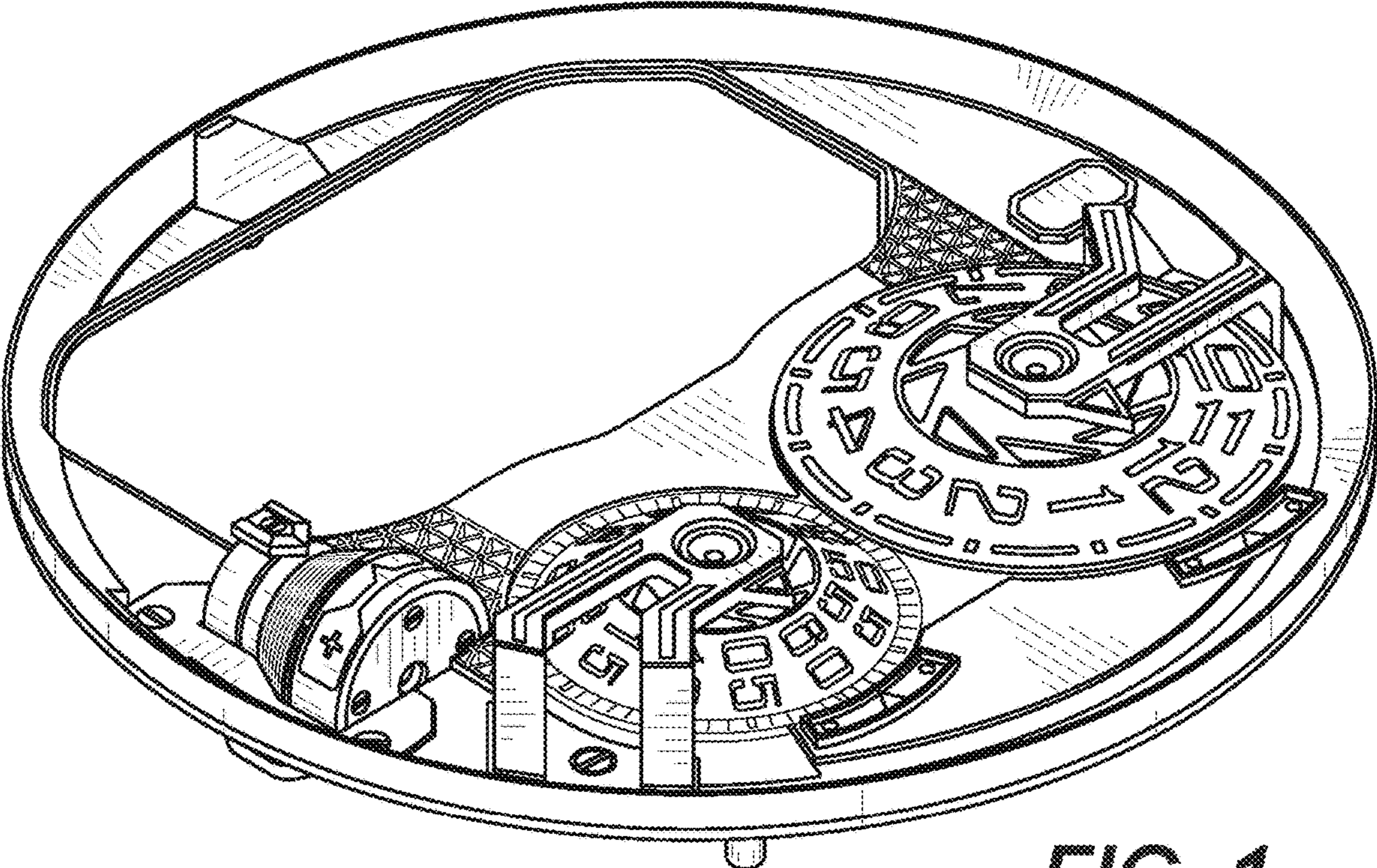


FIG. 1

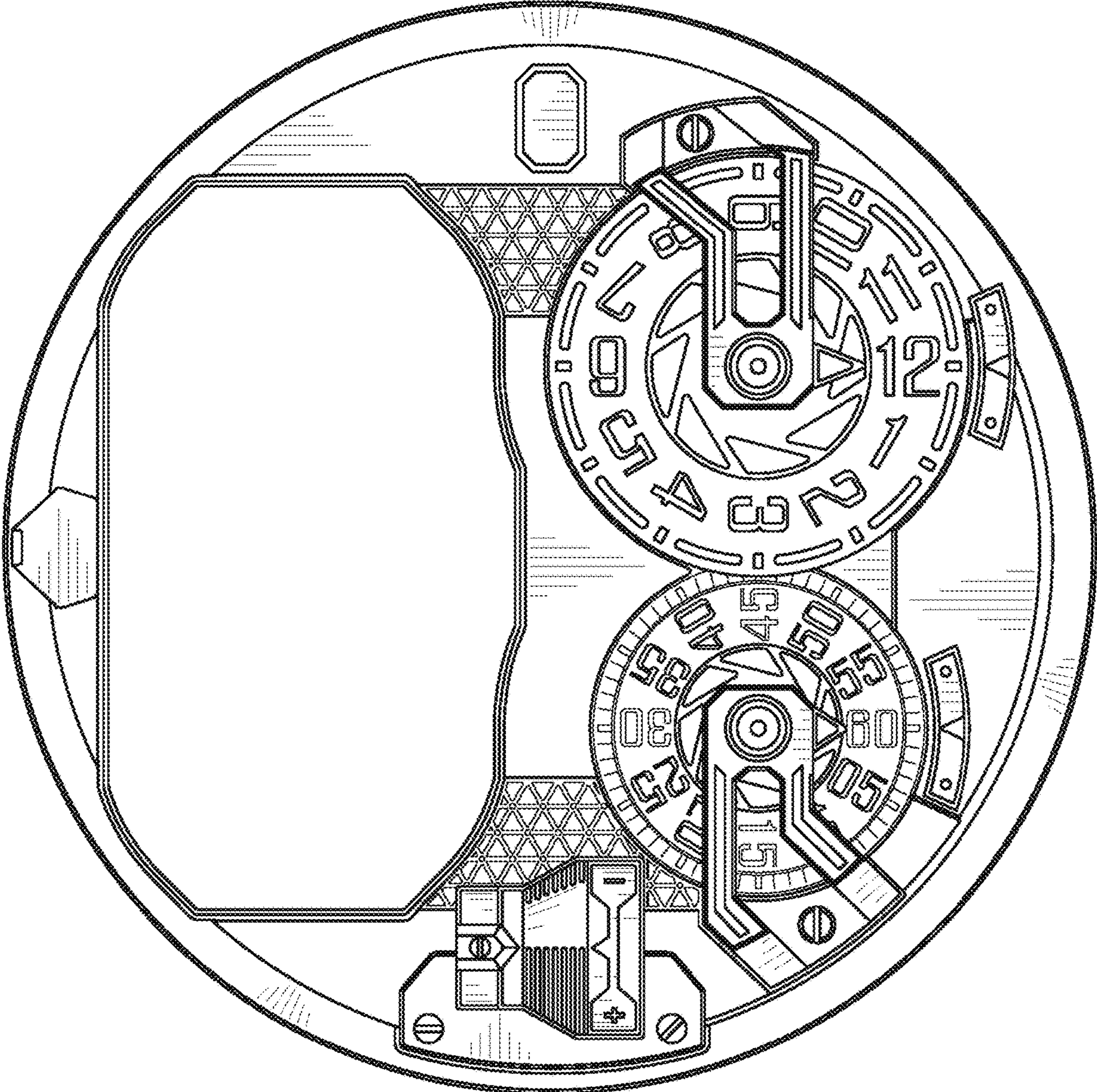


FIG. 2

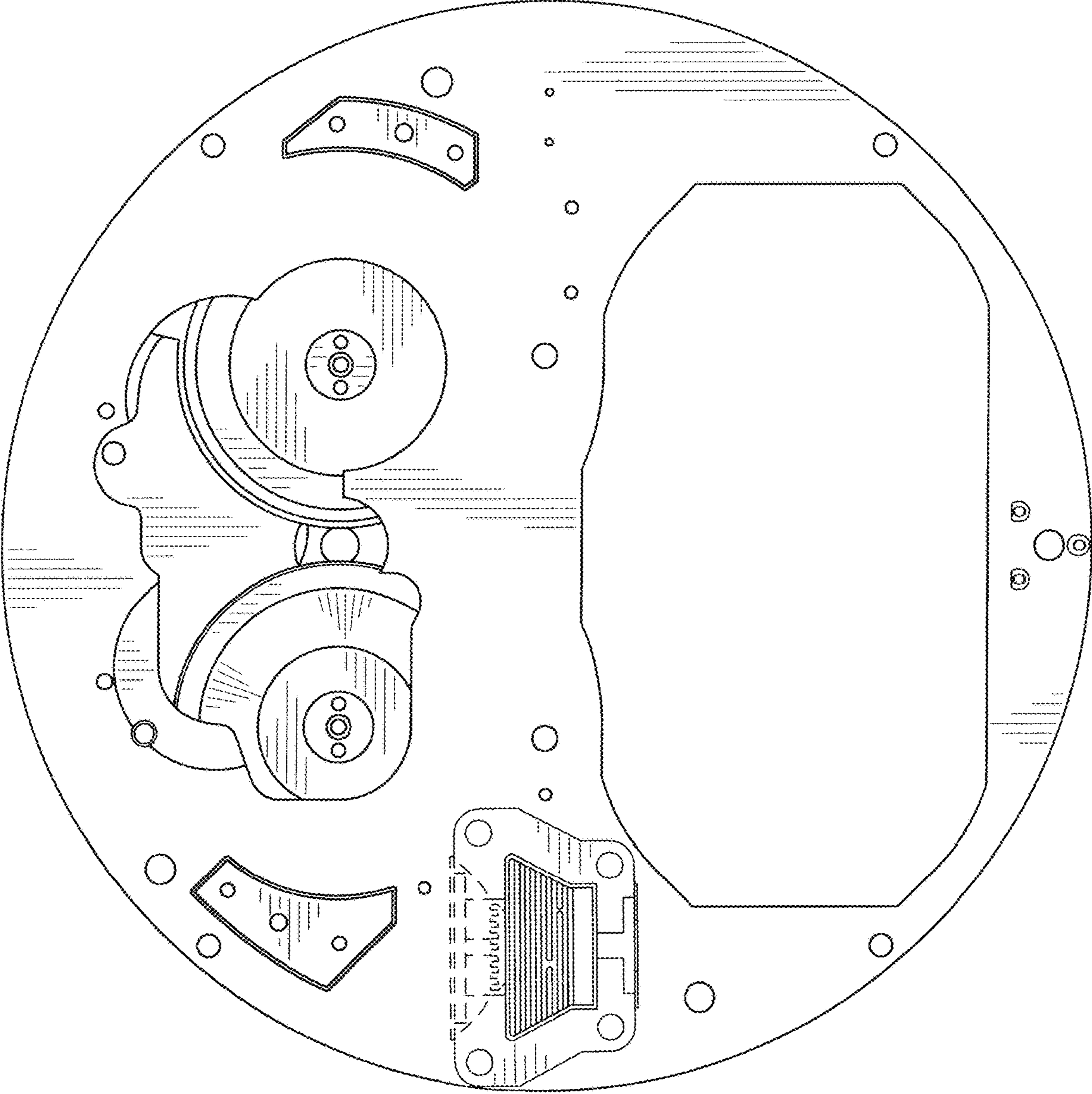


FIG. 3

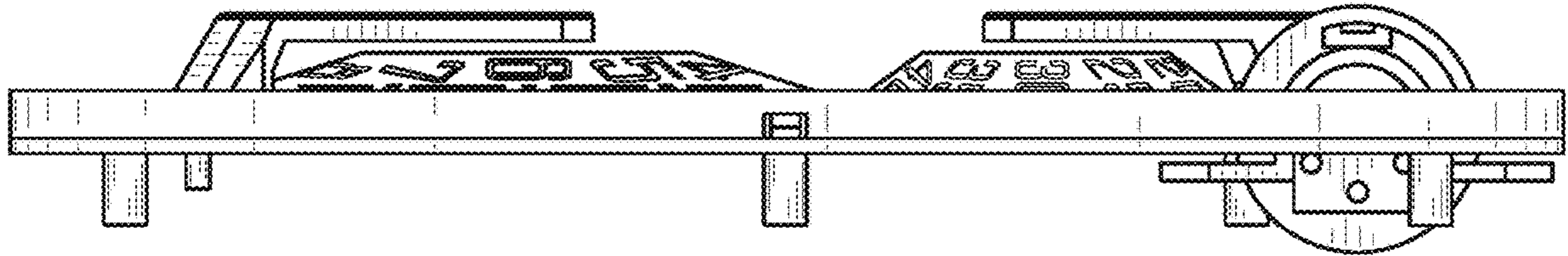


FIG. 4

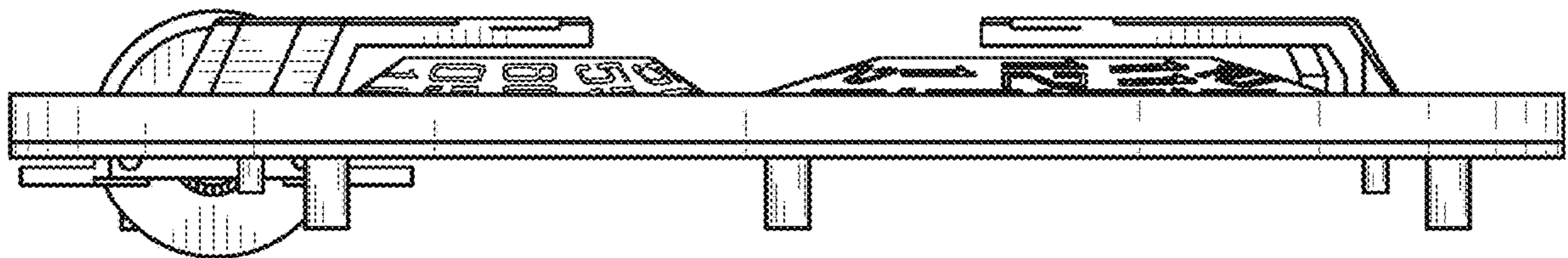


FIG. 5

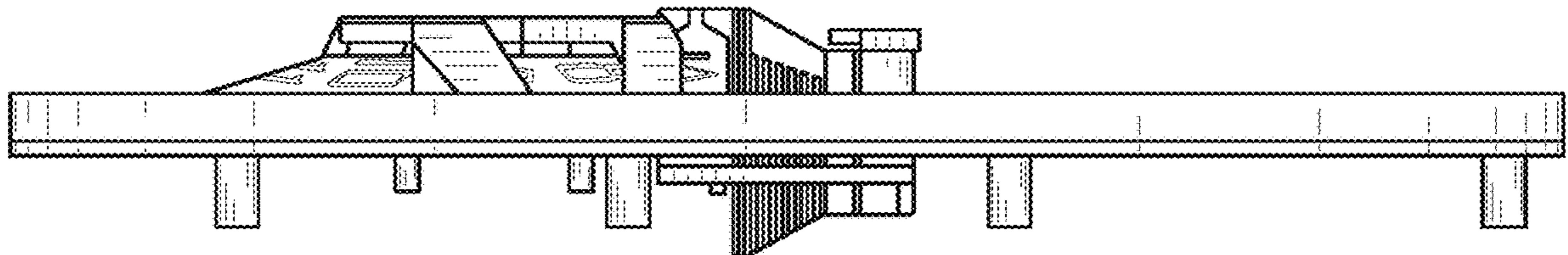


FIG. 6

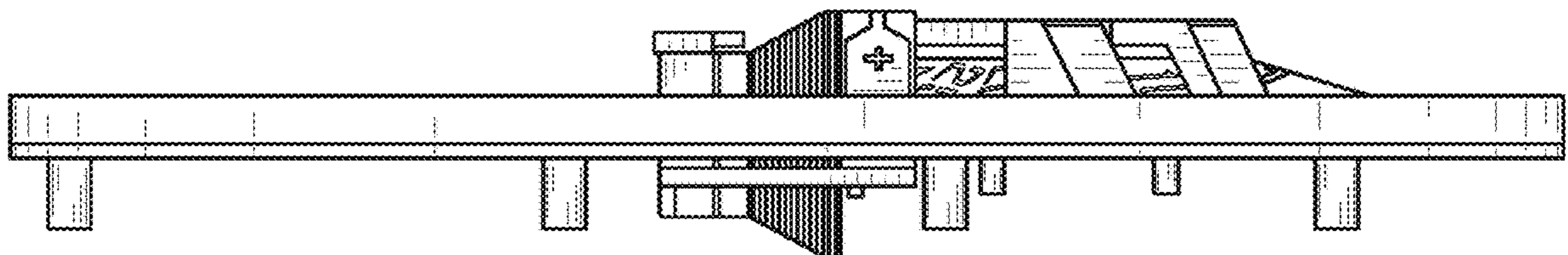


FIG. 7

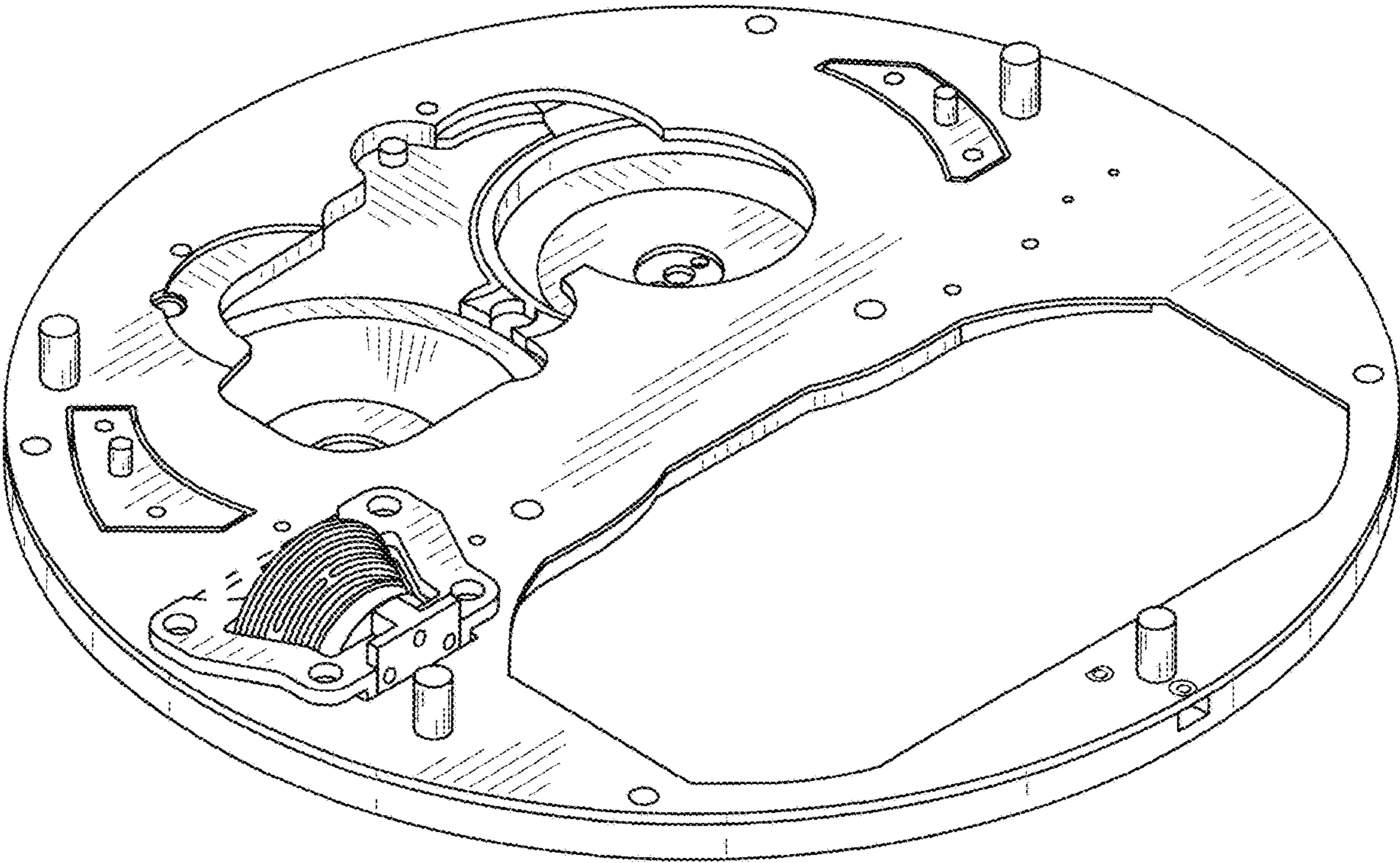


FIG. 8