



US00D885226S

(12) **United States Design Patent**
Aylward

(10) **Patent No.:** **US D885,226 S**
(45) **Date of Patent:** **** May 26, 2020**

- (54) **ANCHOR BUOY**
- (71) Applicant: **Maritime Heritage Marine Products, LLC**, Cromwell, CT (US)
- (72) Inventor: **Allan Aylward**, Cromwell, CT (US)
- (73) Assignee: **Maritime Heritage Marine Products, LLC**, Cromwell, CT (US)

4,529,388 A *	7/1985	Jones	B63B 22/02
			114/230.11
4,602,586 A	7/1986	Ortloff	
4,699,075 A	10/1987	Tortorici	
5,328,353 A	7/1994	Keenan	
D377,586 S *	1/1997	McBride	D10/107
5,690,047 A	11/1997	Holmes	
D465,169 S *	11/2002	Gregorich	D10/107
6,488,554 B2	12/2002	Walker	
7,201,624 B2 *	4/2007	Dyhrberg	B63B 22/02
			114/230.1

(**) Term: **15 Years**

(Continued)

(21) Appl. No.: **29/635,764**

FOREIGN PATENT DOCUMENTS

(22) Filed: **Feb. 2, 2018**

GB 2209146 B 2/1992

(51) **LOC (12) Cl.** **10-05**

(52) **U.S. Cl.**
USPC **D10/107**

(58) **Field of Classification Search**
USPC D10/107
CPC B63B 22/02; B63B 22/00; F03B 13/1865;
A01M 29/10

OTHER PUBLICATIONS

“Maritime Heritage Marine Products” available Aug. 23, 2018, [online], [site visited Jan. 14, 2019]. Retrieved from Internet, URL:https://web.archive.org/web/20180823231903/https://mhmp17.com/products/ (Year: 2018).*

See application file for complete search history.

Primary Examiner — Michael C Stout

Assistant Examiner — Katrina N Gonzalez

(56) **References Cited**

(74) *Attorney, Agent, or Firm* — Volpe and Koenig, P.C.

U.S. PATENT DOCUMENTS

(57) **CLAIM**

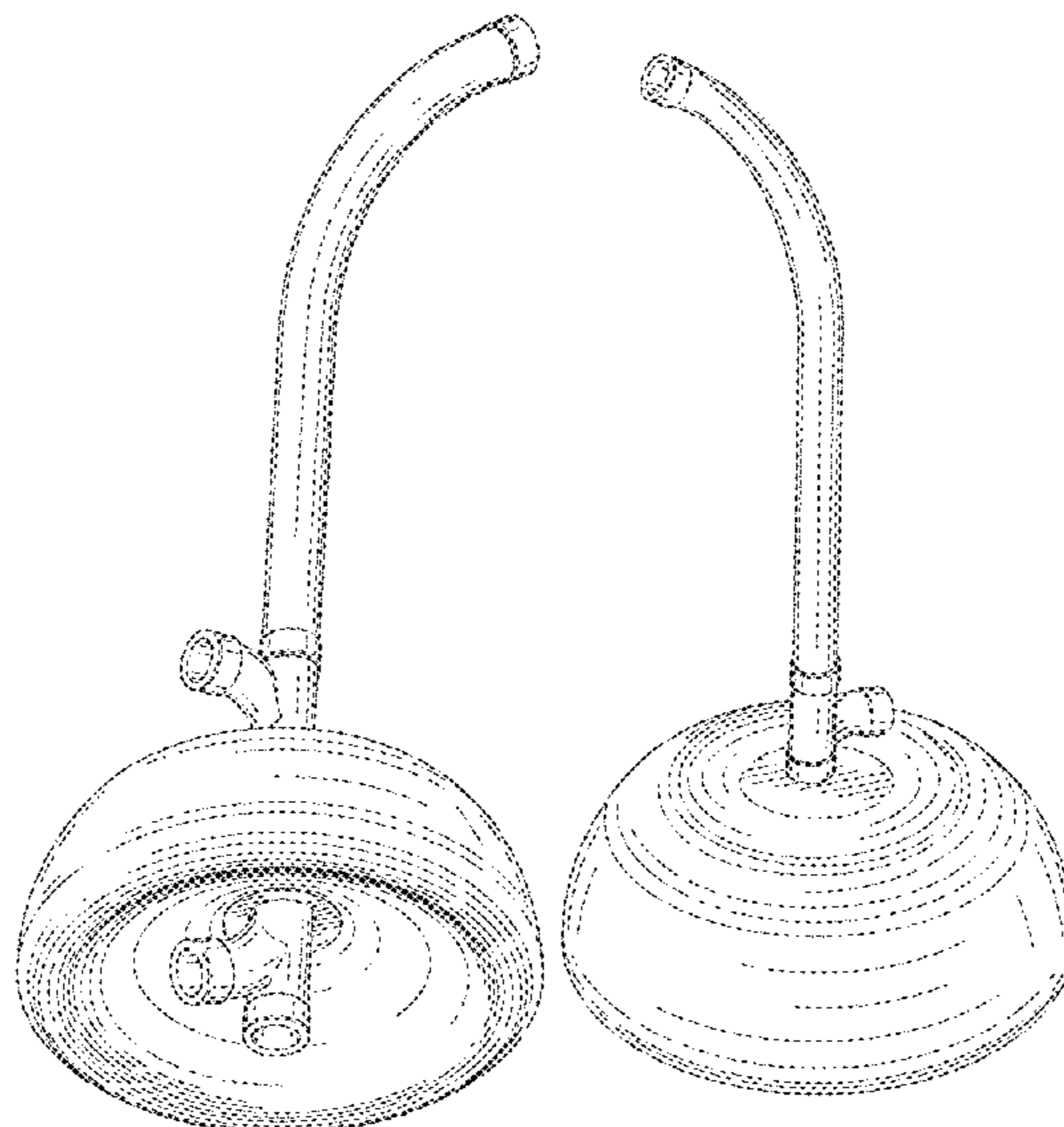
2,354,441 A	7/1944	Diehl	
2,381,394 A	8/1945	Beach, Jr.	
2,701,375 A	2/1955	Ault	
2,814,054 A	11/1957	Phillips	
2,814,055 A	11/1957	Phillips	
2,943,590 A	7/1960	Andersen	
2,955,561 A	10/1960	Andersen	
3,077,614 A	2/1963	Lloyd	
3,110,046 A	11/1963	Fischer	
3,195,498 A	7/1965	Johns	
3,464,214 A	9/1969	King	
3,568,228 A	3/1971	Rudelick	
3,604,030 A	9/1971	Claffin	
3,695,209 A	10/1972	Giese	
3,950,806 A	4/1976	Puchois	
D247,354 S *	2/1978	Sinclair	D10/107
D248,840 S *	8/1978	Aesch, Sr.	D10/107

The ornamental design for an anchor buoy, as shown and described.

DESCRIPTION

FIG. 1 is a bottom perspective view of my anchor buoy; FIG. 2 is top perspective view thereof; FIG. 3 is a front elevation view thereof; FIG. 4 is a rear elevation view thereof; FIG. 5 is a right side elevation view thereof; FIG. 6 is a left side elevation view thereof; FIG. 7 is a top plan view thereof; and, FIG. 8 is a bottom plan view thereof.

1 Claim, 7 Drawing Sheets



(56)

References Cited

U.S. PATENT DOCUMENTS

8,082,868	B1	12/2011	Johnson	
D826,762	S *	8/2018	Smith	D10/107
D845,809	S *	4/2019	Knapp	D10/107
2013/0052893	A1 *	2/2013	Golding	B63B 21/54 441/3
2018/0222555	A1 *	8/2018	Aylward	B63B 22/02
2019/0217926	A1 *	7/2019	Siegfriedsen	B63B 35/44
2019/0329844	A1 *	10/2019	Adams	H04B 1/3822

* cited by examiner

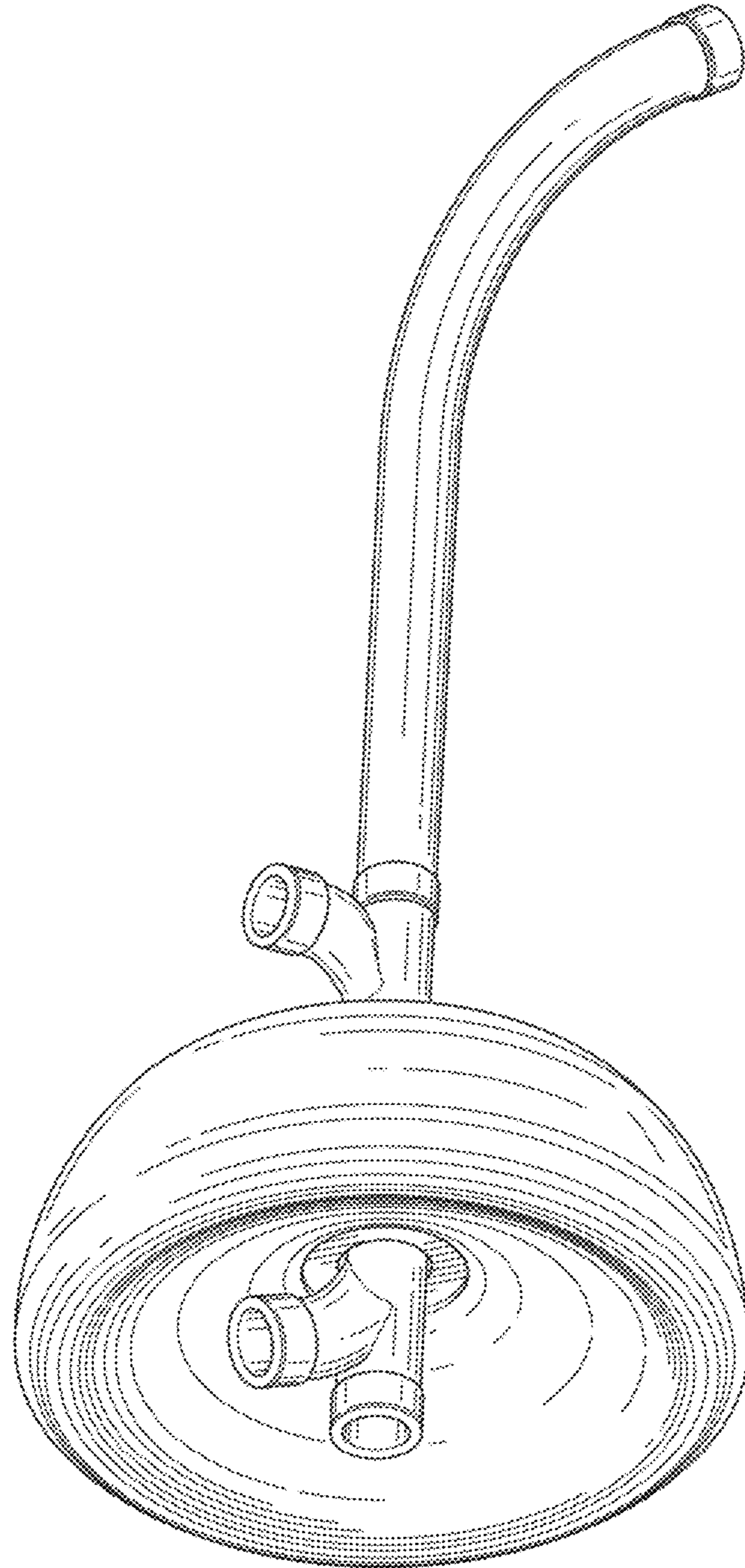


FIG. 1

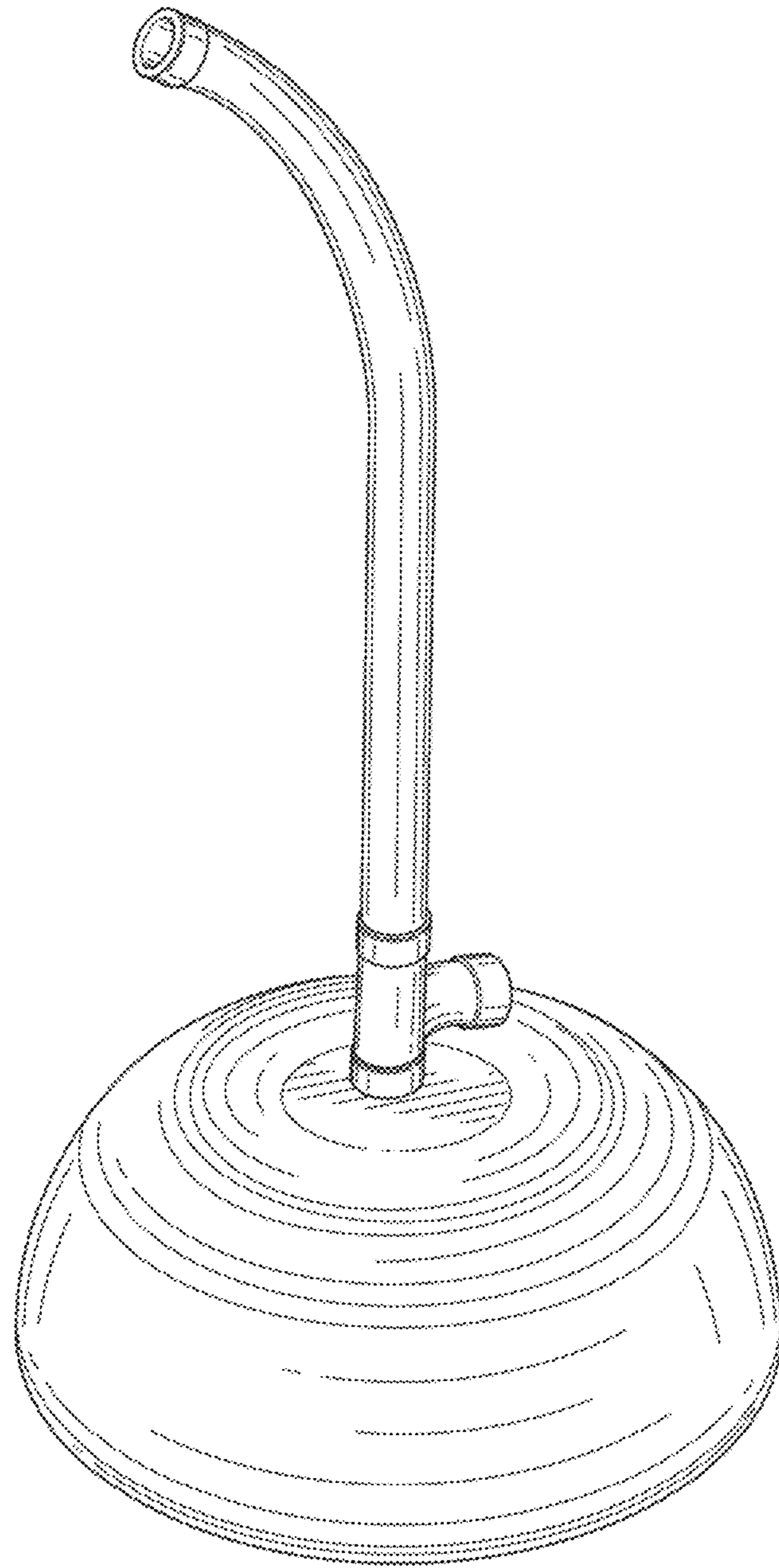


FIG. 2

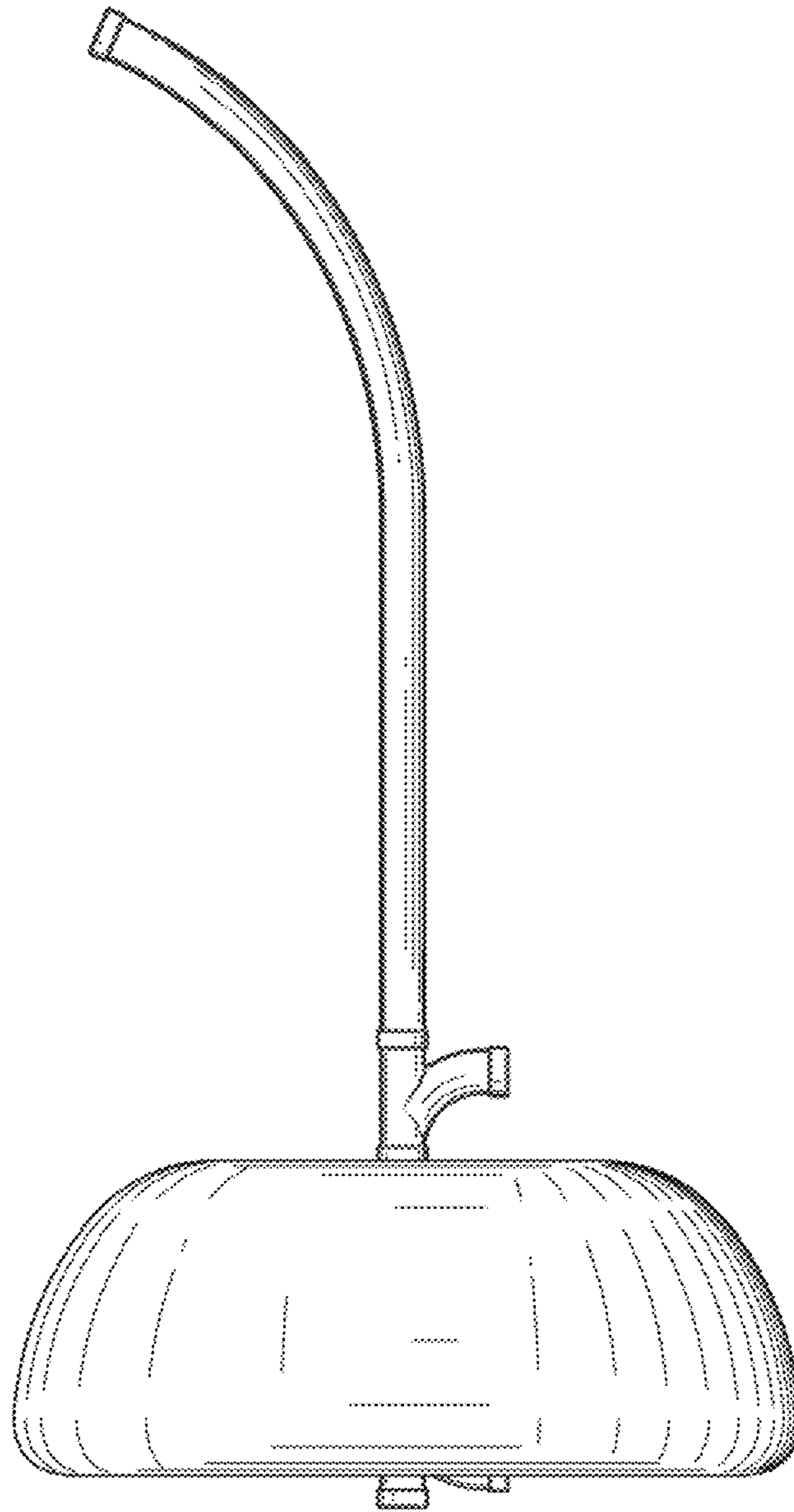


FIG. 3

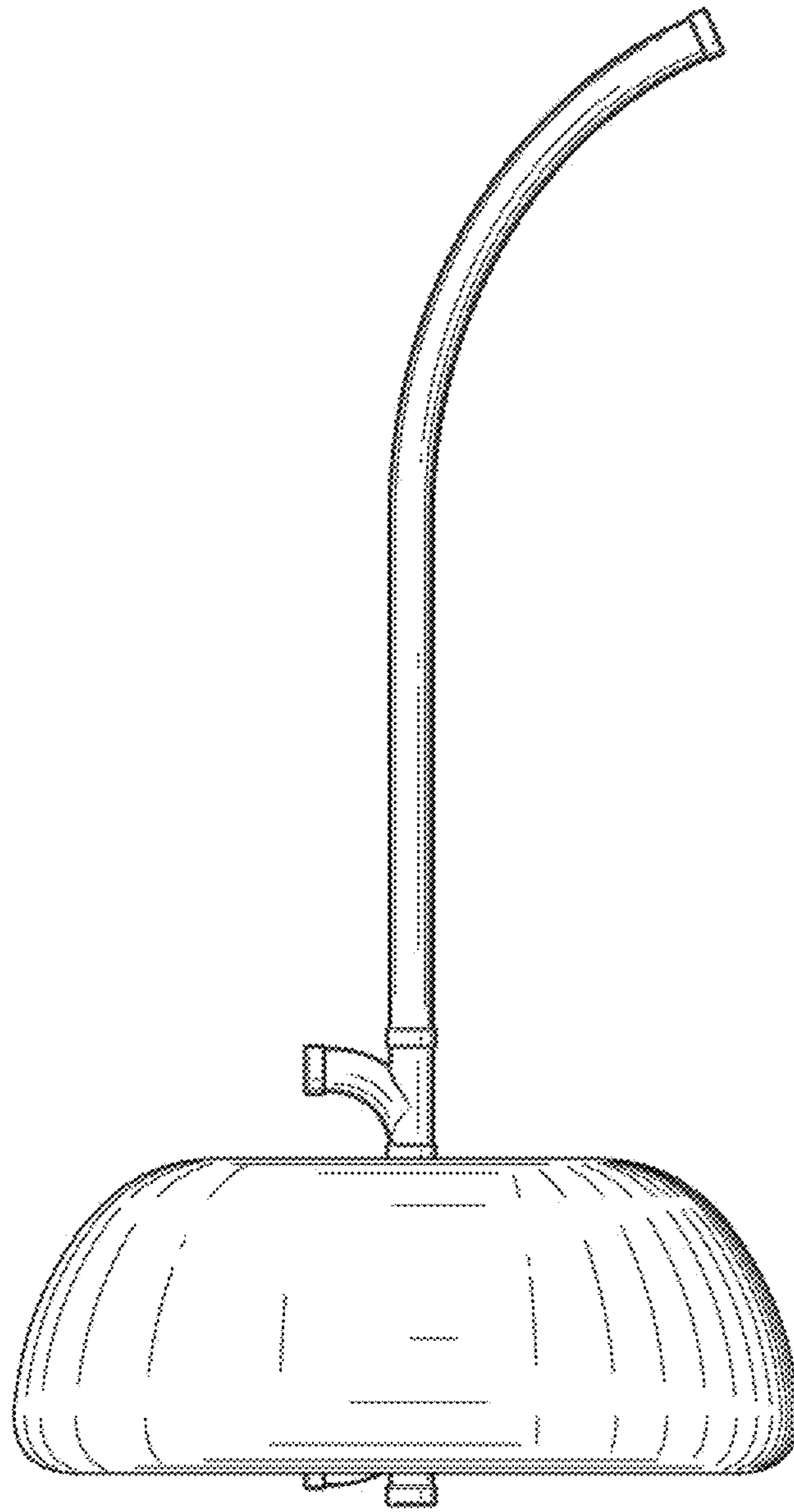


FIG. 4

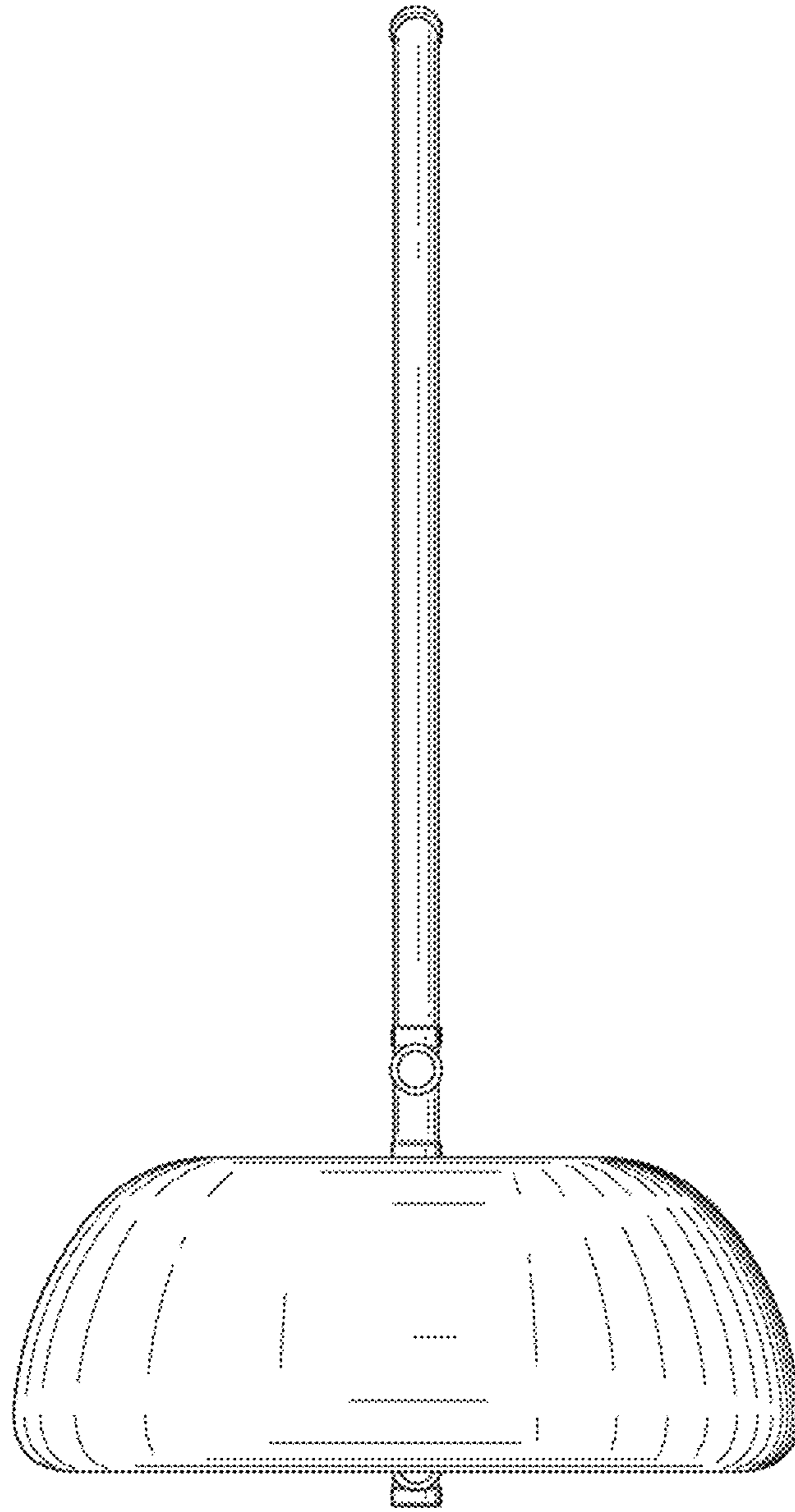


FIG. 5

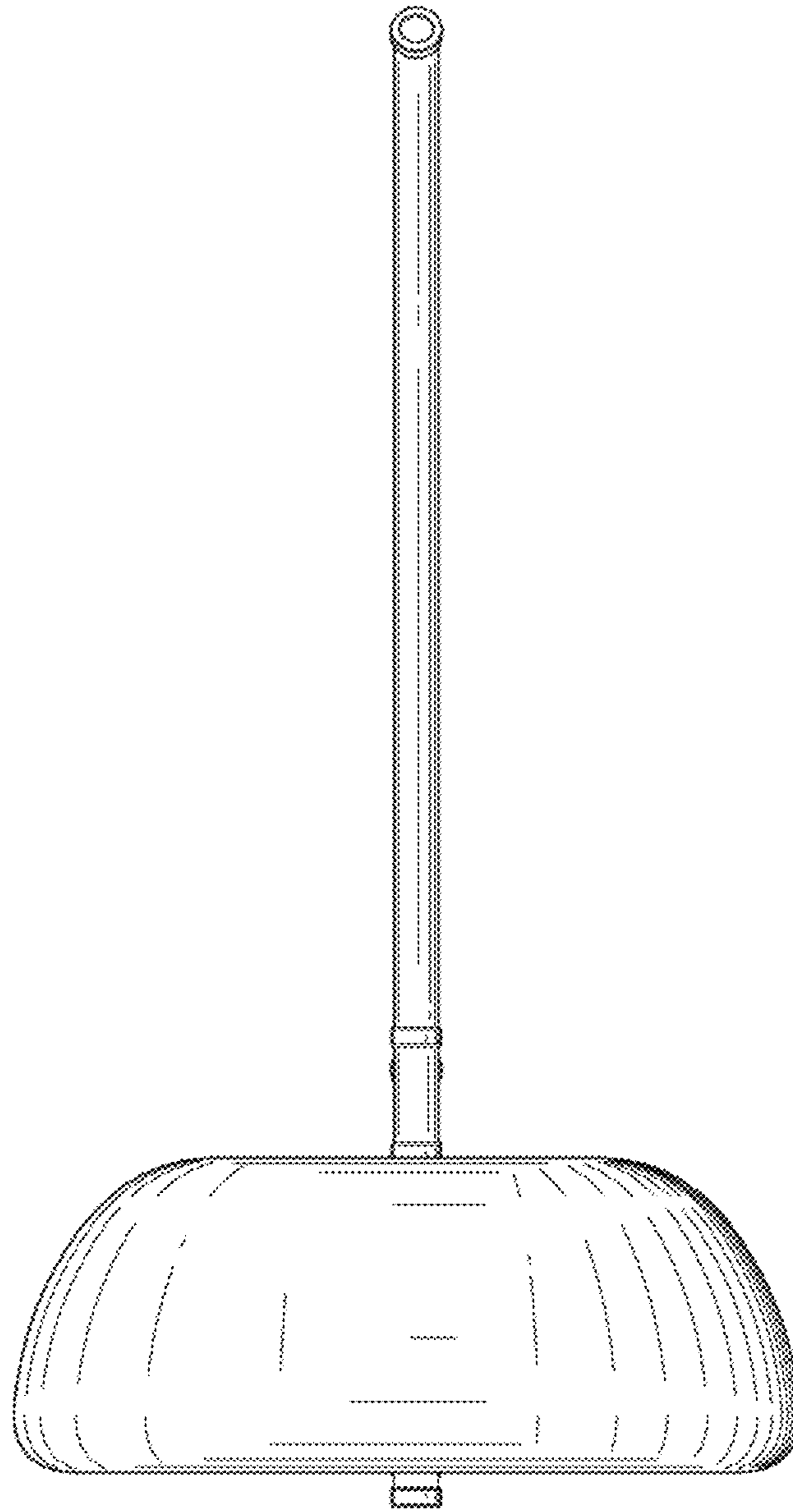


FIG. 6

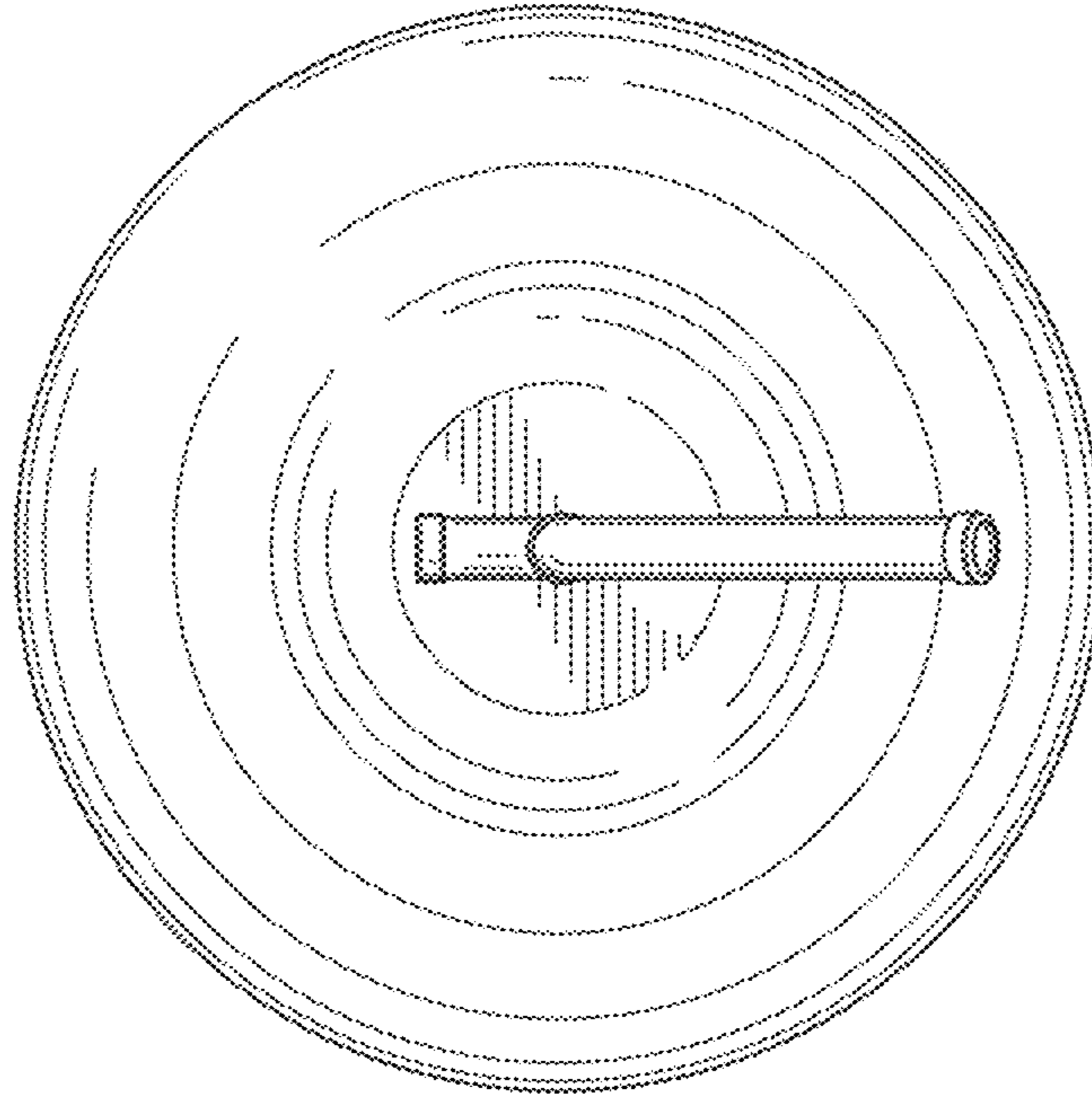


FIG. 7

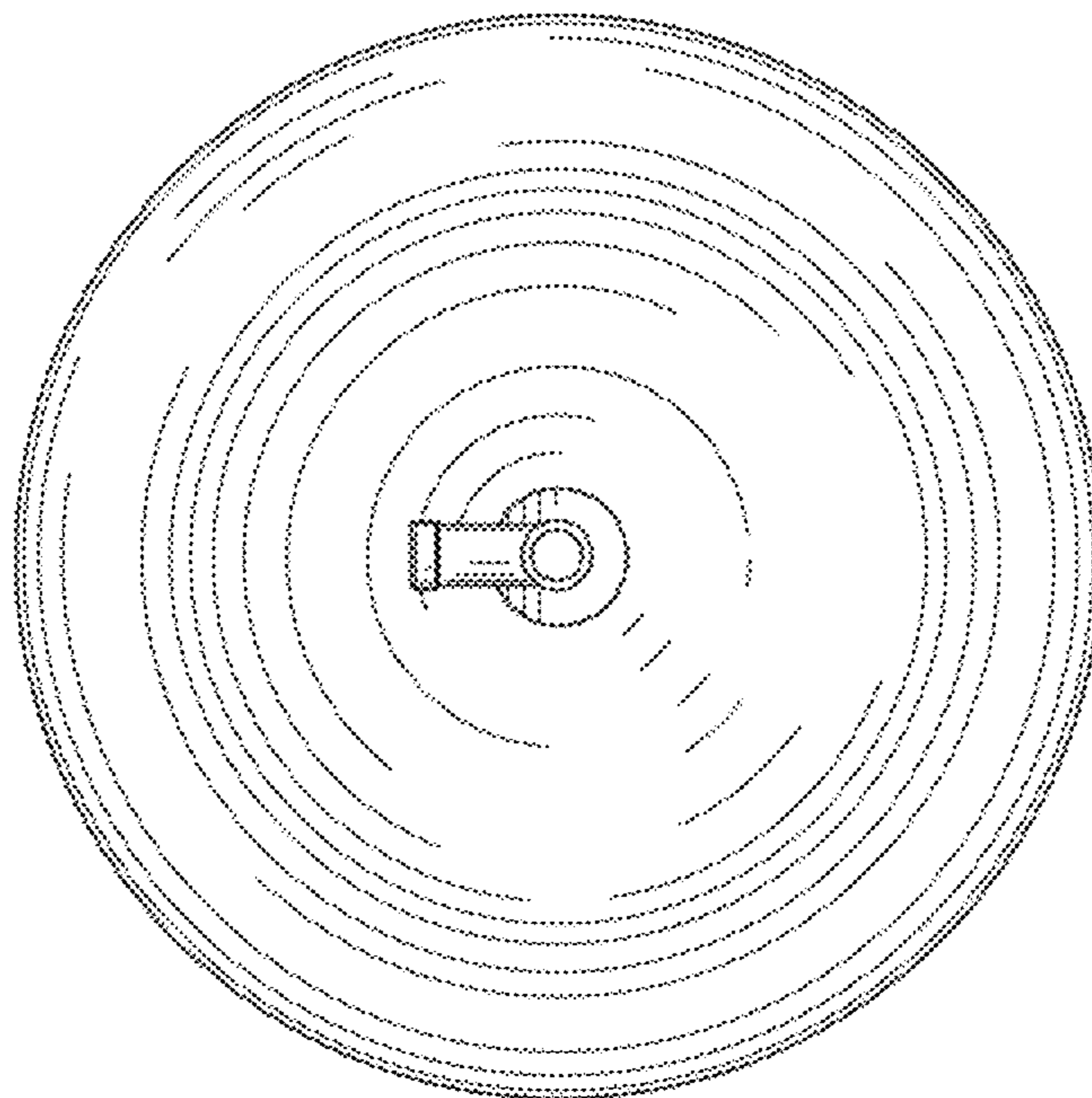


FIG. 8