



US00D885222S

(12) **United States Design Patent** (10) **Patent No.:** **US D885,222 S**  
**Haag** (45) **Date of Patent:** **\*\* May 26, 2020**

(54) **COMBINED DISPLAY AND OPERATING DEVICE**

(71) Applicant: **Robert Bosch GmbH**, Stuttgart (DE)

(72) Inventor: **Frieder Haag**, Wannweil (DE)

(73) Assignee: **Robert Bosch GmbH**, Stuttgart (DE)

(\*\*) Term: **15 Years**

(21) Appl. No.: **29/647,291**

(22) Filed: **May 11, 2018**

(30) **Foreign Application Priority Data**

Nov. 13, 2017 (EM) ..... 004504504

(51) **LOC (12) Cl.** ..... **10-04**

(52) **U.S. Cl.**  
USPC ..... **D10/98; D14/432**

(58) **Field of Classification Search**  
USPC ... D14/141.1, 159, 218, 219, 220, 221, 222, D14/223, 224, 224.1, 225, 227, 228, 229, D14/259, 341, 344, 345, 299, 432, 447, D14/253; D10/97, 98; D12/114, 223  
CPC . H04R 1/00; H04R 1/02; H04R 1/326; H04R 1/406; H04R 1/083; H04R 1/222; H04R 1/1041; H04R 1/023; H04R 7/00; H04R 7/20; H04R 27/00; H04R 2201/00; H04R 2400/00; H04R 17/02; H04R 29/004; H04R 29/005; H04R 19/04; H04R  
(Continued)

(56) **References Cited**

**U.S. PATENT DOCUMENTS**

D419,897 S \* 2/2000 Storck ..... D10/98  
6,069,788 A \* 5/2000 Masui ..... B62J 11/00  
324/160

(Continued)

**OTHER PUBLICATIONS**

Bosch Kiox color computer, a new way to control & track your e-bike, posted Sep. 18, 2018 [online], retrieved Mar. 38, 2019, retrieved from internet, <<https://e-bikerumor.com/2018/09/18/bosch-kiox-color-computer-new-way-control-track-e-bike/>>.\*

*Primary Examiner* — Barbara Fox

*Assistant Examiner* — Messina L Smith

(74) *Attorney, Agent, or Firm* — Maginot, Moore & Beck LLP

(57) **CLAIM**

The ornamental design for a combined display and operating device, as shown and described.

**DESCRIPTION**

Cross reference is made to copending U.S. design patent application Ser. No. 29/647,290 entitled “Display and Operating Device” by Haag, Frieder, which was filed on even date herewith; and U.S. design patent application Ser. No. 29/647,294 entitled “Display and Operating Device” by Haag, Frieder, which was filed on even date herewith.

FIG. 1 is a perspective view of a combined display and operating device showing my new design;

FIG. 2 is a front elevational view of the combined display and operating device of FIG. 1;

FIG. 3 is a rear elevational view of the combined display and operating device of FIG. 1;

FIG. 4 is a right side elevational view of the combined display and operating device of FIG. 1;

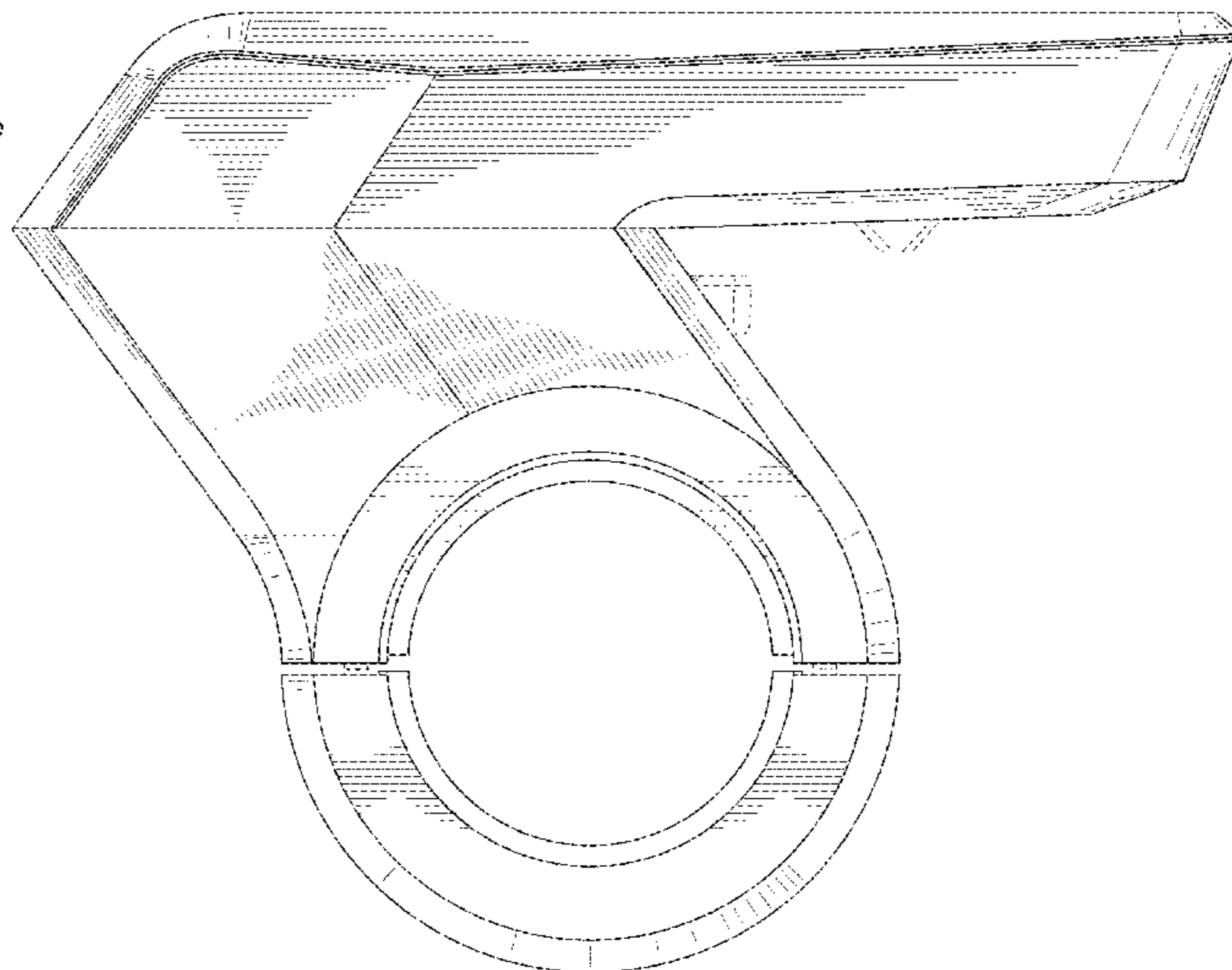
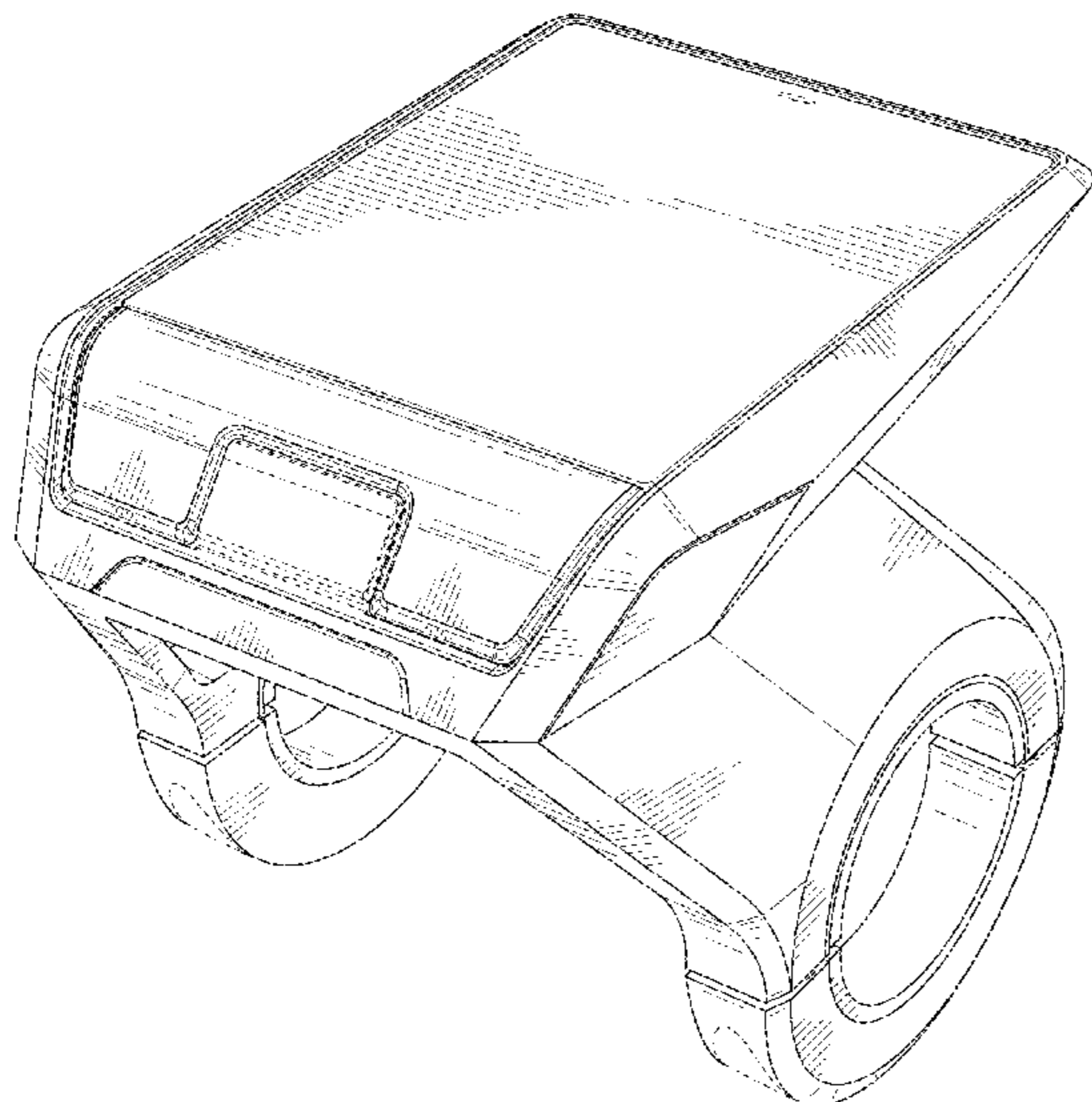
FIG. 5 is a left side elevational view of the combined display and operating device of FIG. 1;

FIG. 6 is a top plan view of the combined display and operating device of FIG. 1; and,

FIG. 7 is a bottom plan view of the combined display and operating device of FIG. 1.

The broken lines shown in the drawings illustrate portions of the combined display and operating device that form no part of the claimed design.

**1 Claim, 7 Drawing Sheets**



(58) **Field of Classification Search**  
 CPC ..... 2420/07; H04R 2410/00; H04R 2410/01;  
                   H04R 5/02; G02B 27/01  
 See application file for complete search history.

(56) **References Cited**

U.S. PATENT DOCUMENTS

6,192,300	B1 *	2/2001	Watarai .....	B62J 99/00
				340/432
6,682,087	B1 *	1/2004	Takeda .....	B62J 99/00
				280/238
D528,451	S *	9/2006	Cunningham .....	D10/98
D593,552	S *	6/2009	Ferrari .....	D14/341
D608,781	S *	1/2010	Wada .....	D10/65
D613,285	S *	4/2010	Grant .....	D14/341
D622,721	S *	8/2010	Wood .....	D14/341
D626,550	S *	11/2010	Julien .....	D14/341
D652,034	S *	1/2012	Ferrari .....	D14/341
8,627,990	B2 *	1/2014	Nakajima .....	B62J 9/008
				224/420

D703,661	S *	4/2014	Krause .....	D14/341
D708,977	S *	7/2014	Corso .....	D10/104.1
D711,755	S *	8/2014	Dasbach .....	D10/70
D711,757	S *	8/2014	Dasbach .....	D10/103
D732,992	S *	6/2015	Dasbach .....	D10/70
D746,252	S *	12/2015	Reimer .....	D14/155
D777,591	S *	1/2017	Haapakoski .....	D10/98
D788,105	S *	5/2017	Heck .....	D14/344
D793,386	S *	8/2017	Park .....	D14/341
D809,502	S *	2/2018	Henne .....	D14/341
D813,863	S *	3/2018	Barea .....	D14/341
D822,835	S *	7/2018	Paschke .....	D24/167
D823,836	S *	7/2018	Eaton .....	D14/229
D832,837	S *	11/2018	Pennington, Jr. ....	D14/348
D840,051	S *	2/2019	Schulz .....	D24/224
D842,149	S *	3/2019	Haag .....	D10/98
2009/0063049	A1 *	3/2009	Swisher .....	A63B 24/0062
				701/469
2010/0246199	A1 *	9/2010	Ma .....	B62J 6/02
				362/474
2018/0203488	A1 *	7/2018	Hawkins, III .....	G06F 1/1626

\* cited by examiner



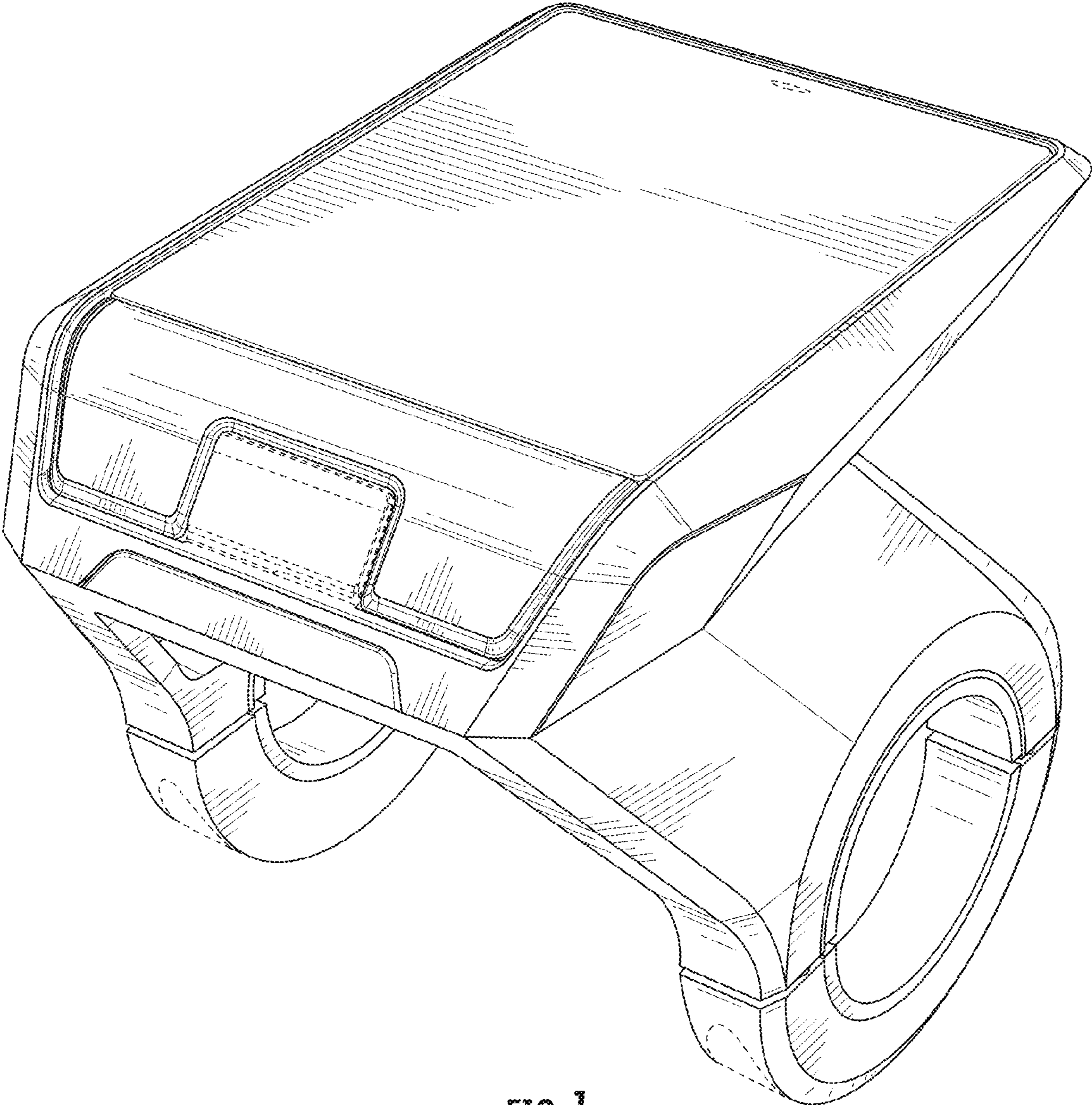


FIG. 1

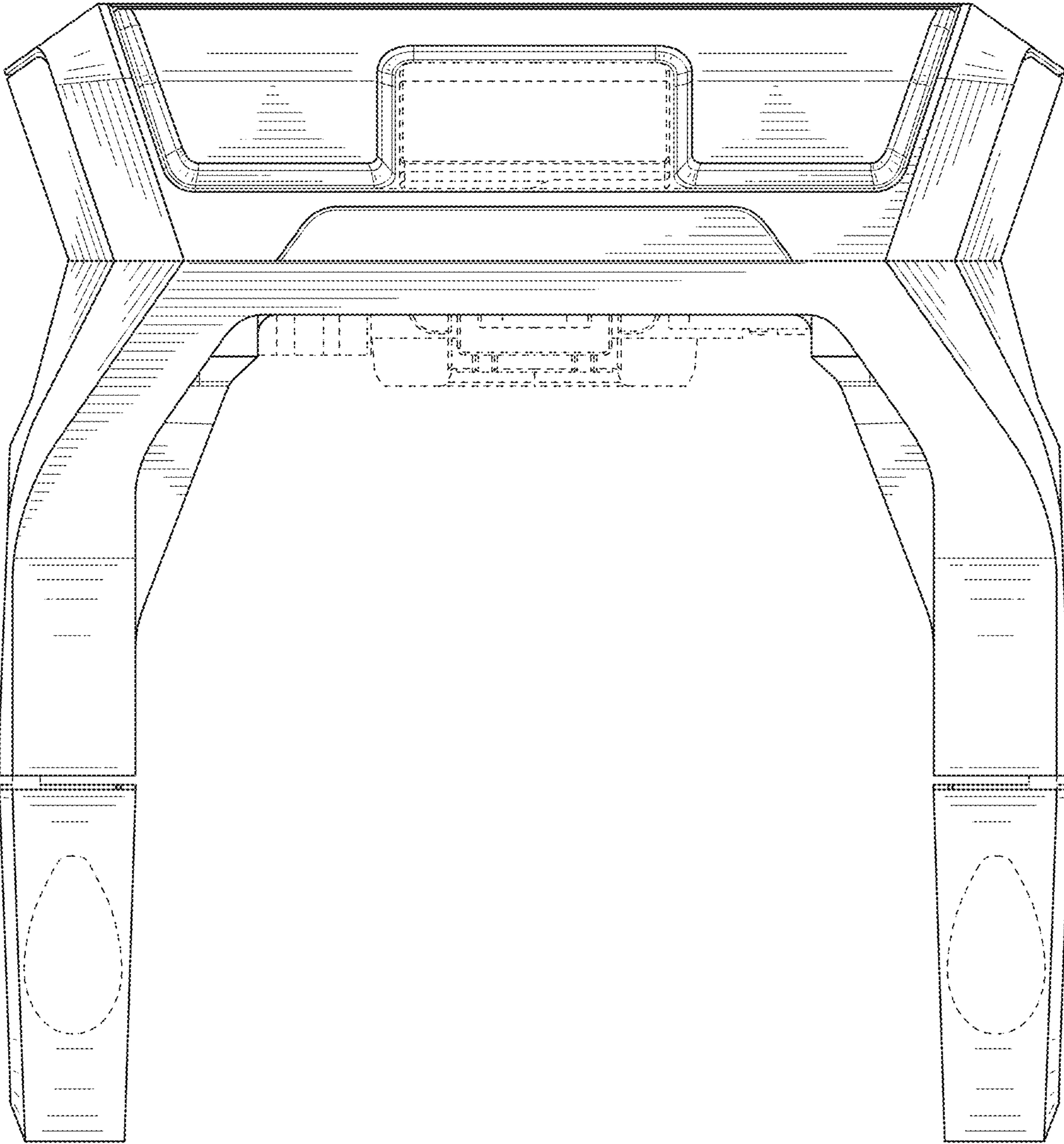


FIG. 2

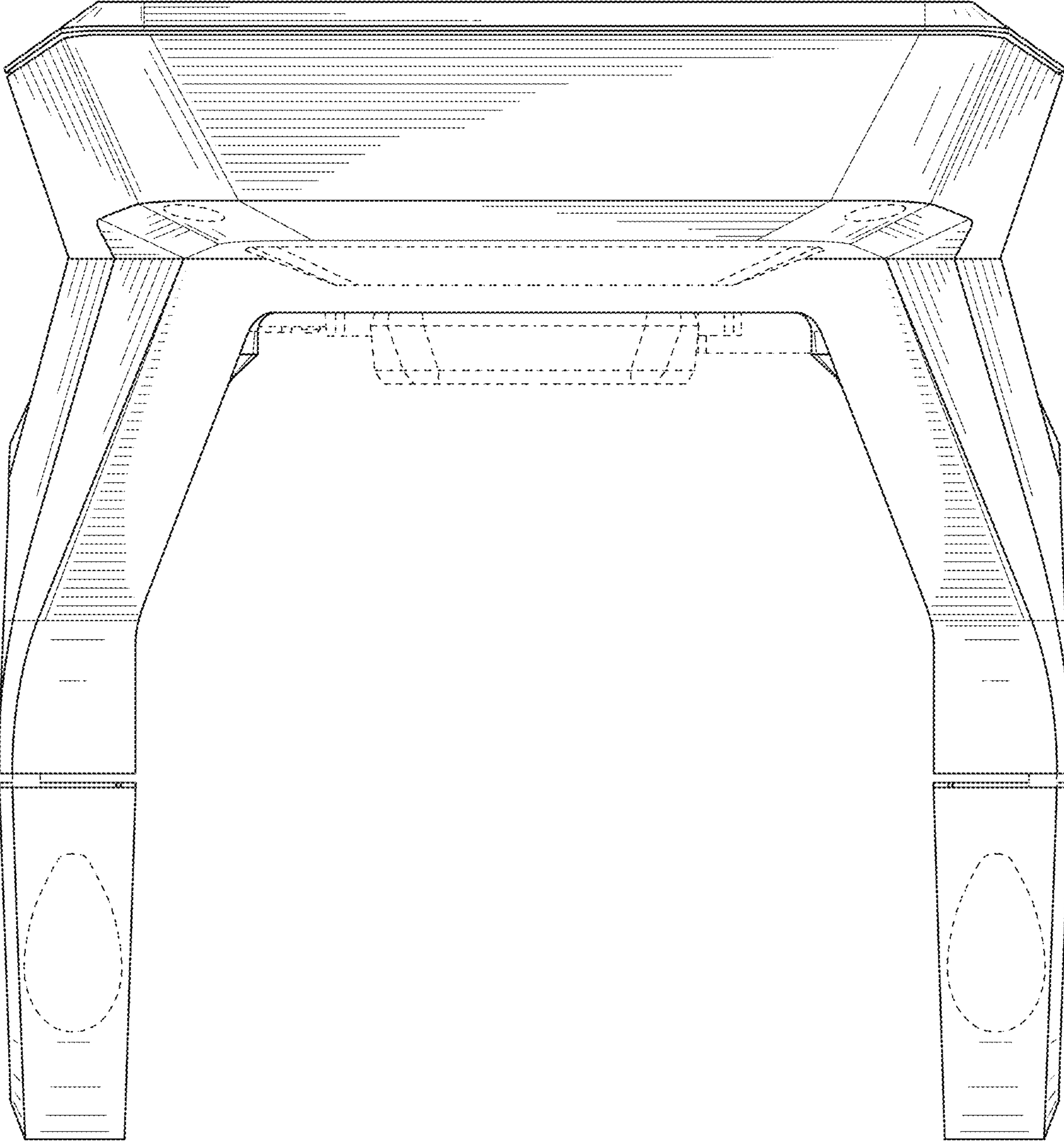


FIG. 3



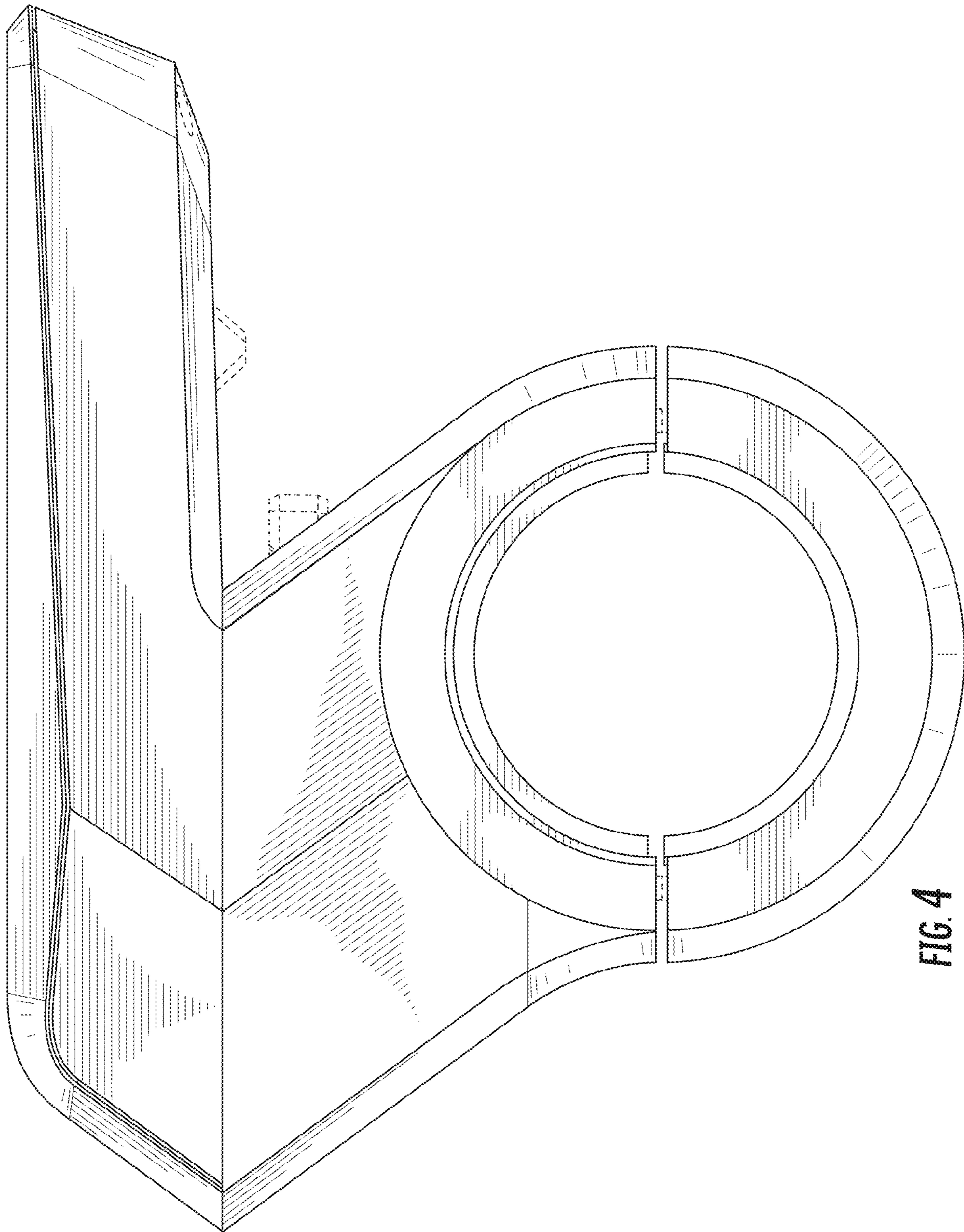


FIG. 4

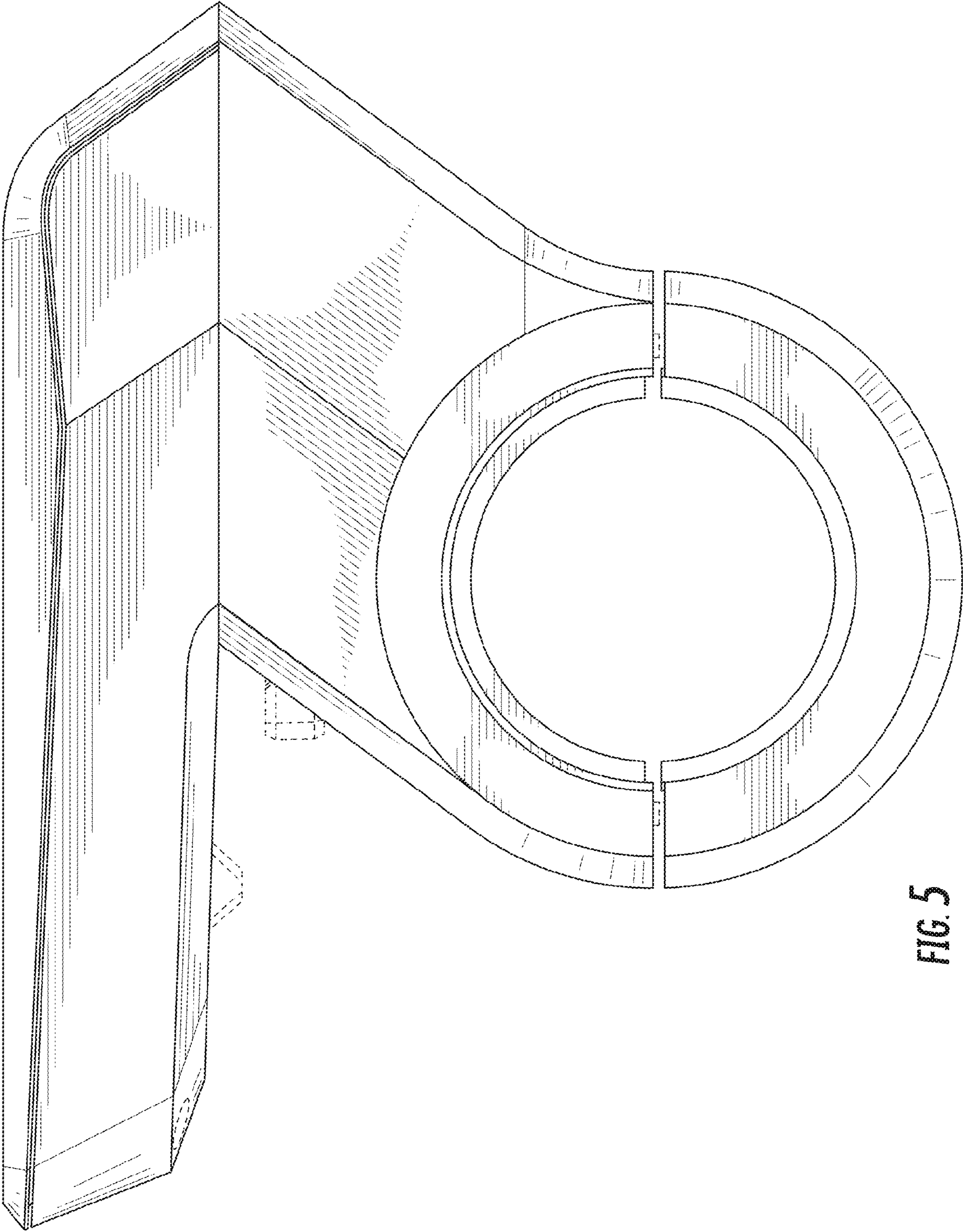


FIG. 5

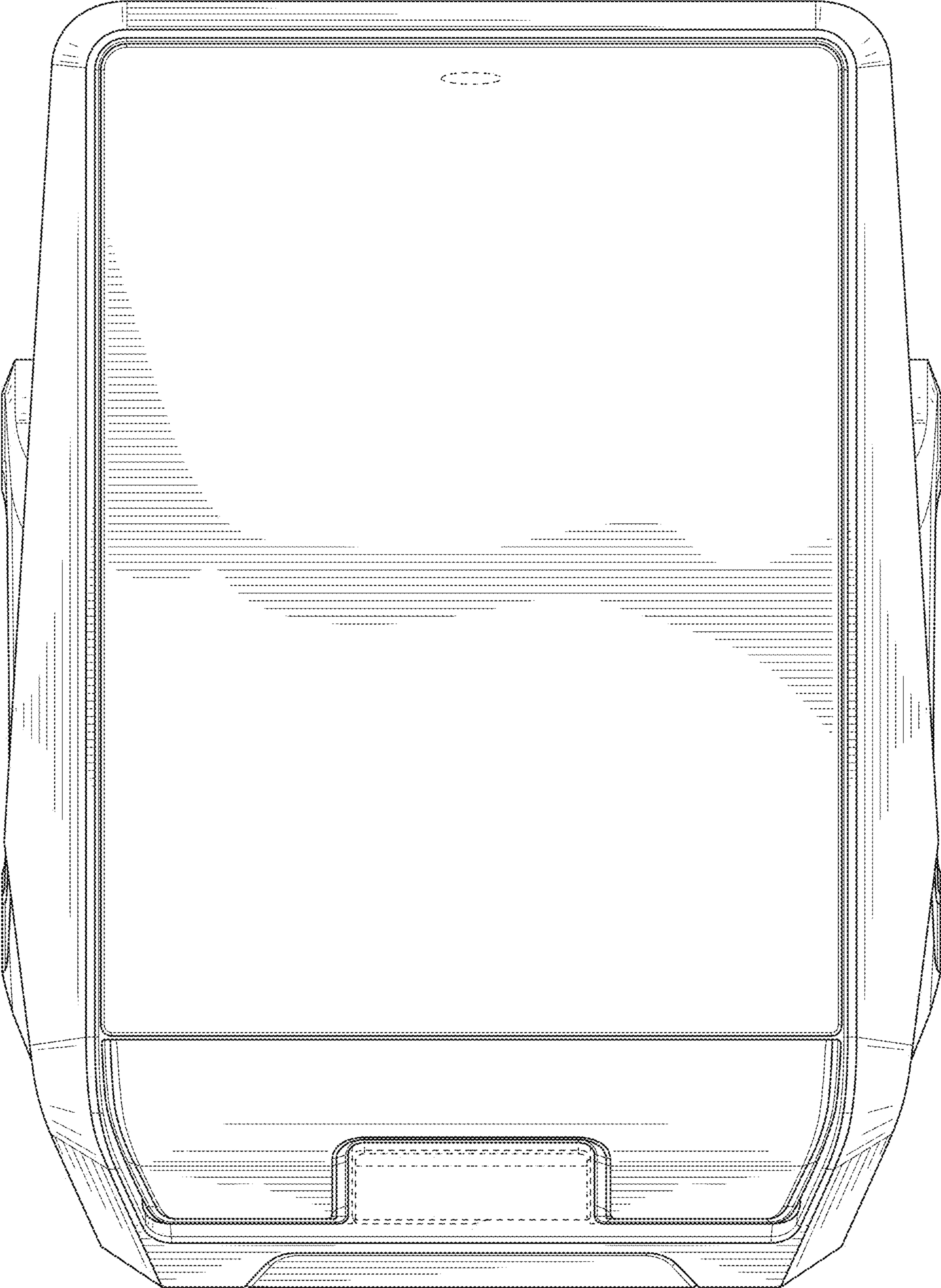


FIG. 6



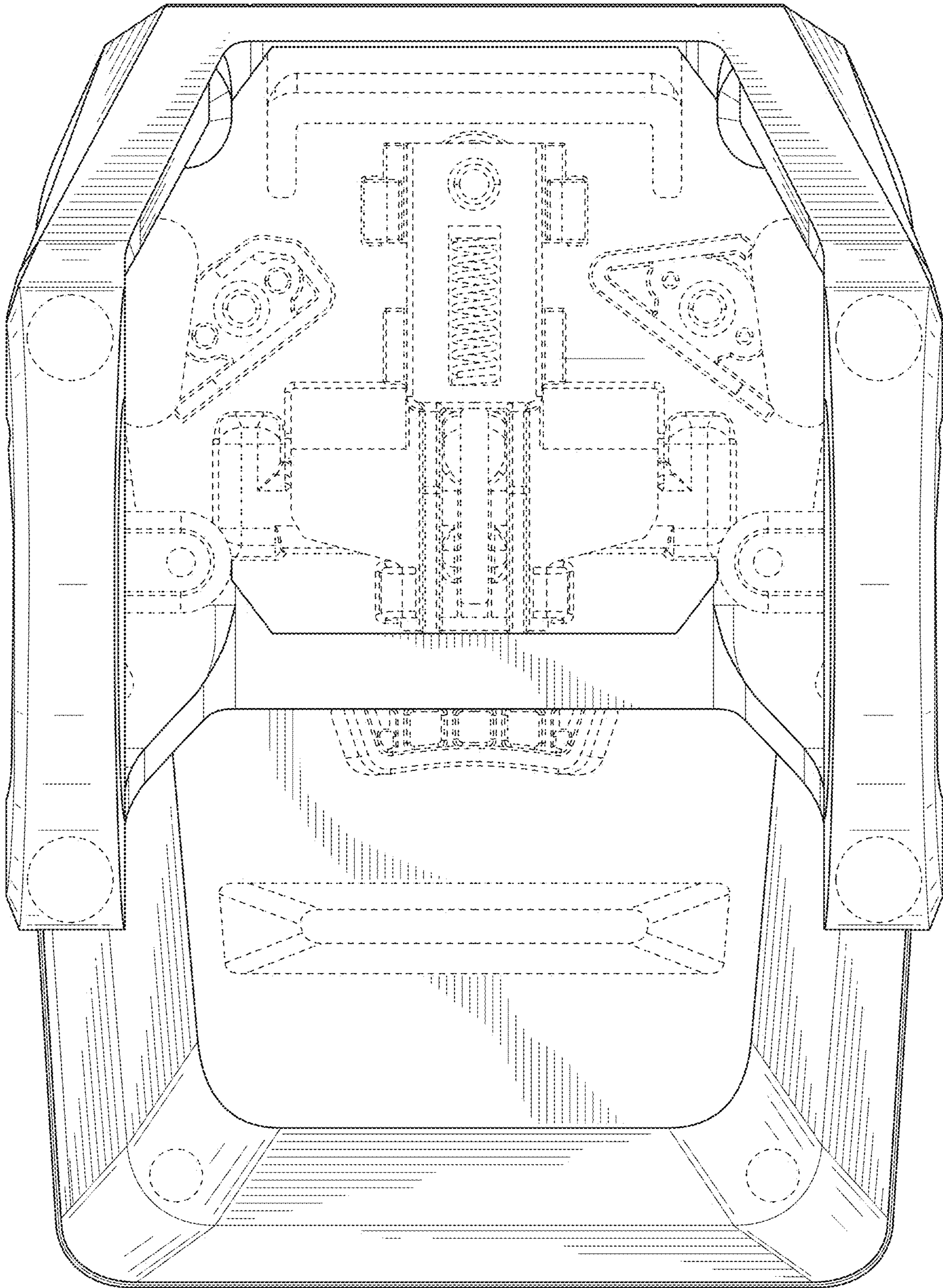


FIG. 7