



US00D885221S

(12) **United States Design Patent**
Huang

(10) **Patent No.:** **US D885,221 S**

(45) **Date of Patent:** **** May 26, 2020**

(54) **INDUCTION FLUSHER**

8,256,036 B2 * 9/2012 Culver E03D 3/02
4/301

(71) Applicant: **HYDROTEK CORPORATION**,
Nantou Hsien (TW)

* cited by examiner

(72) Inventor: **Su Huang**, Nantou Hsien (TW)

Primary Examiner — Antoine Duval Davis

(73) Assignee: **HYDROTEK CORPORATION**,
Nantou Hsien (TW)

(74) *Attorney, Agent, or Firm* — Bruce Stone LLP;
Joseph A. Bruce

(**) Term: **15 Years**

(21) Appl. No.: **29/719,498**

(57) **CLAIM**

(22) Filed: **Jan. 6, 2020**

The ornamental design for an induction flusher, as shown
and described.

(51) **LOC (12) Cl.** **10-04**

(52) **U.S. Cl.**
USPC **D10/96; D10/101; D23/235**

(58) **Field of Classification Search**
USPC D10/96, 101; D23/233, 235, 302
CPC E03D 3/06; E03D 13/00; E03D 13/002;
E03D 13/005; E03D 13/007; E03D 5/00;
E03D 5/02; E03D 5/022; E03D 5/024;
E03D 5/10; E03D 5/105; E03D 3/02;
G01F 13/006; F16K 31/404; Y10T
137/86389; Y10T 137/0318
See application file for complete search history.

DESCRIPTION

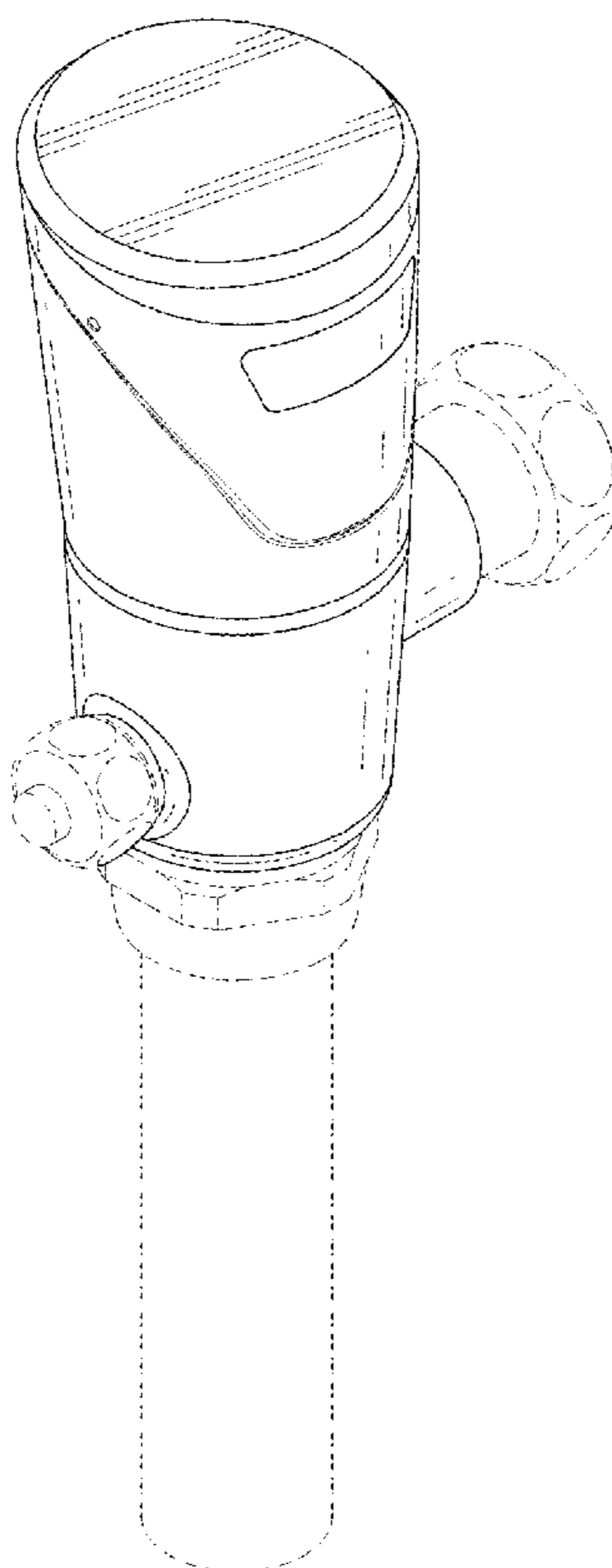
FIG.1 is a front top perspective view of an induction flusher
showing my new design;
FIG.2 is a front elevational view thereof;
FIG.3 is a rear elevational view thereof;
FIG.4 is a left side elevational view thereof;
FIG.5 is a right side elevational view thereof;
FIG.6 is a top plan view thereof; and,
FIG.7 is a bottom plan view thereof.
The broken lines illustrate portions of the induction flusher
and form no part of the claimed design.

(56) **References Cited**

U.S. PATENT DOCUMENTS

6,499,152 B2 * 12/2002 Johnson E03D 5/105
137/110

1 Claim, 6 Drawing Sheets



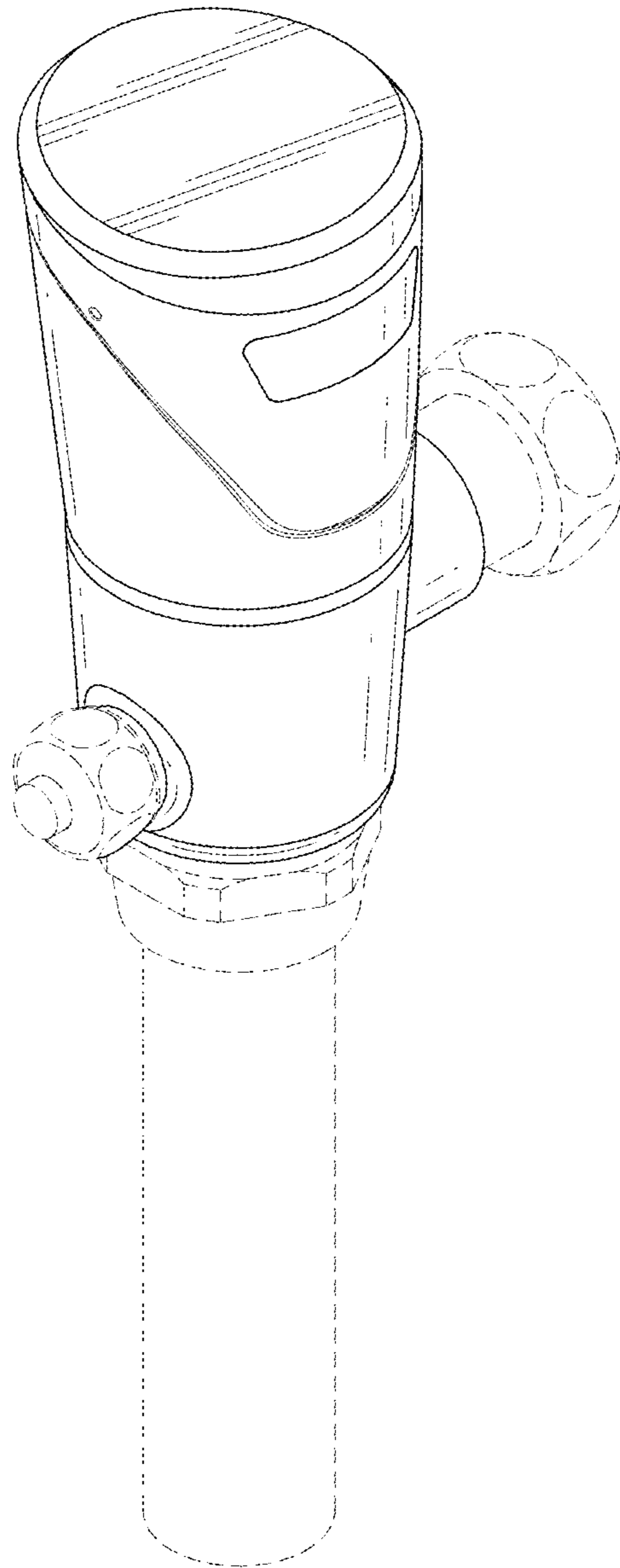


FIG. 1

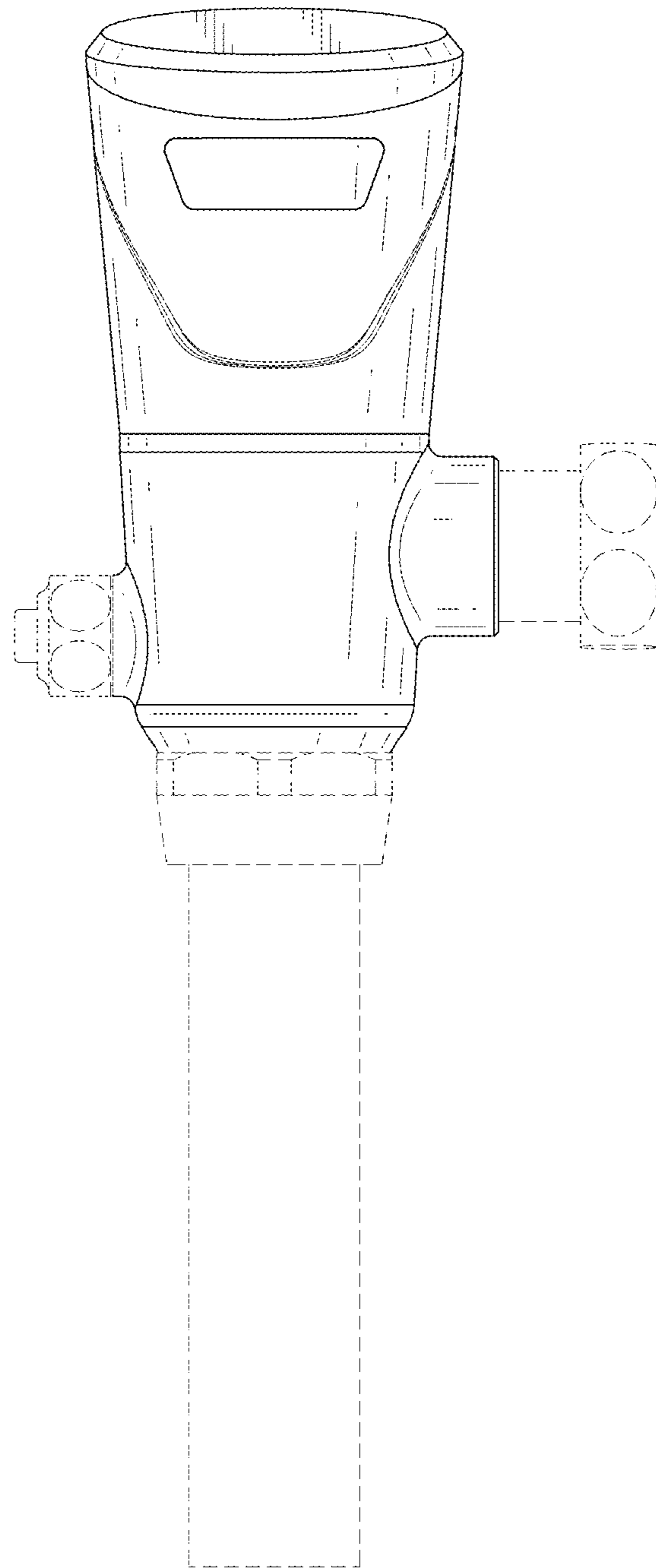


FIG. 2

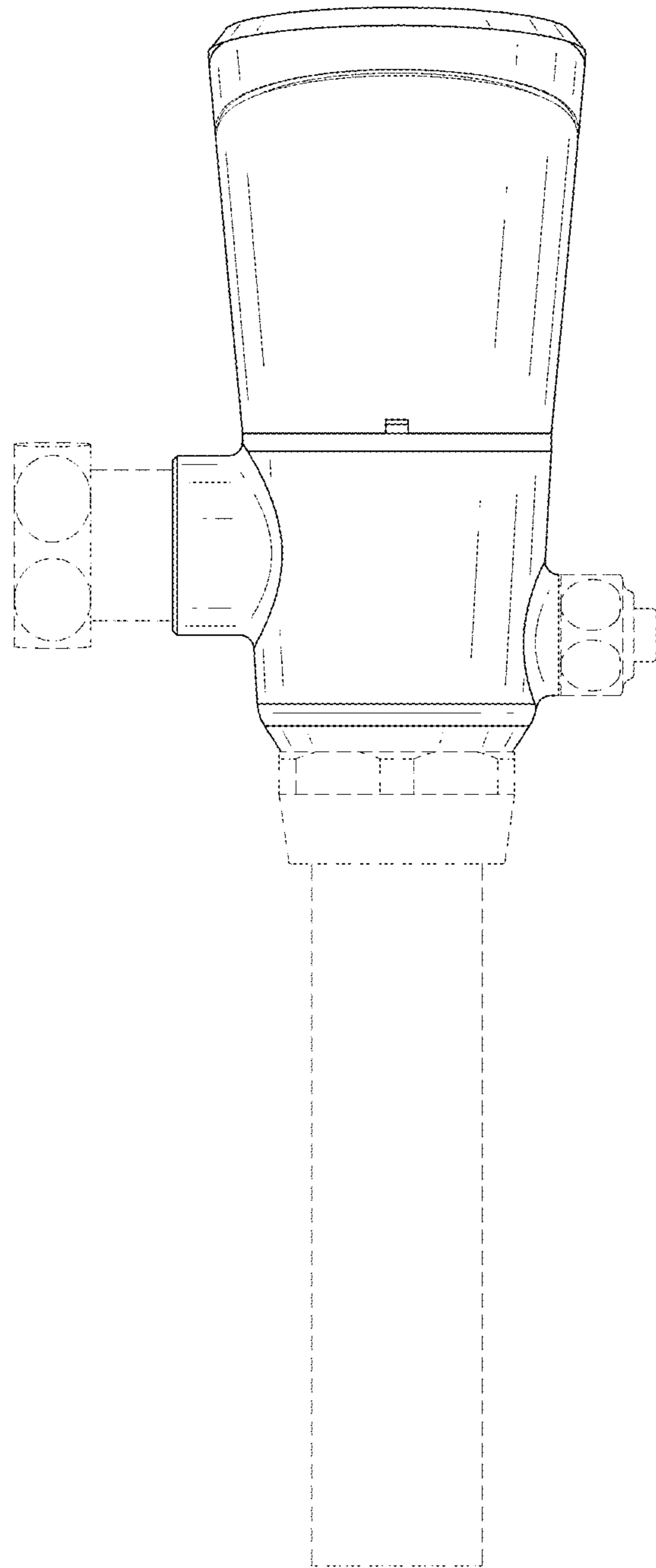


FIG. 3

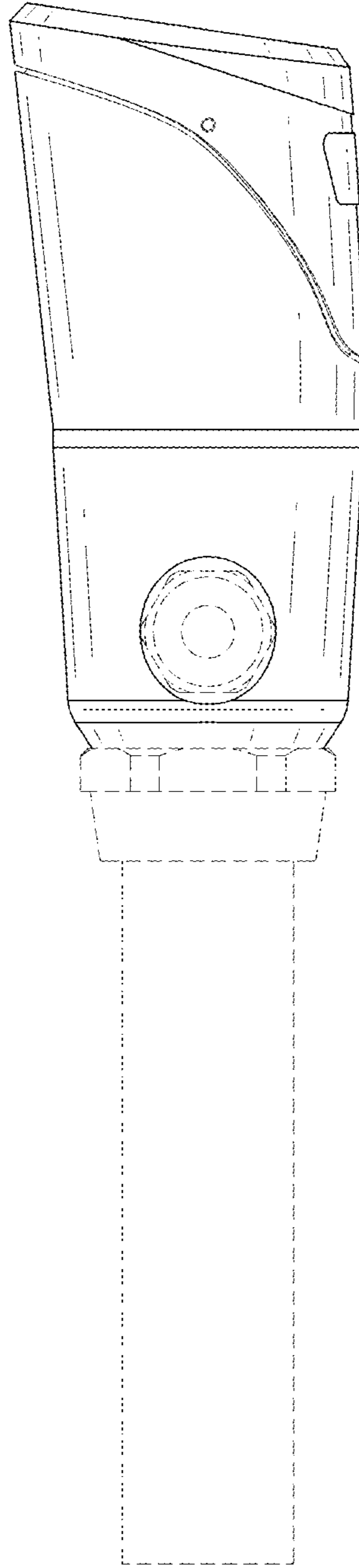


FIG. 4

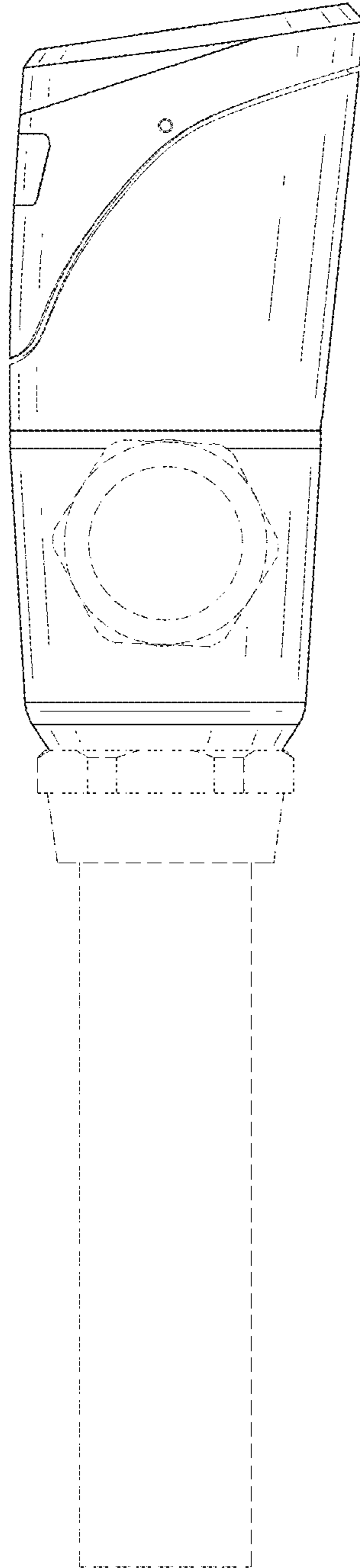


FIG. 5

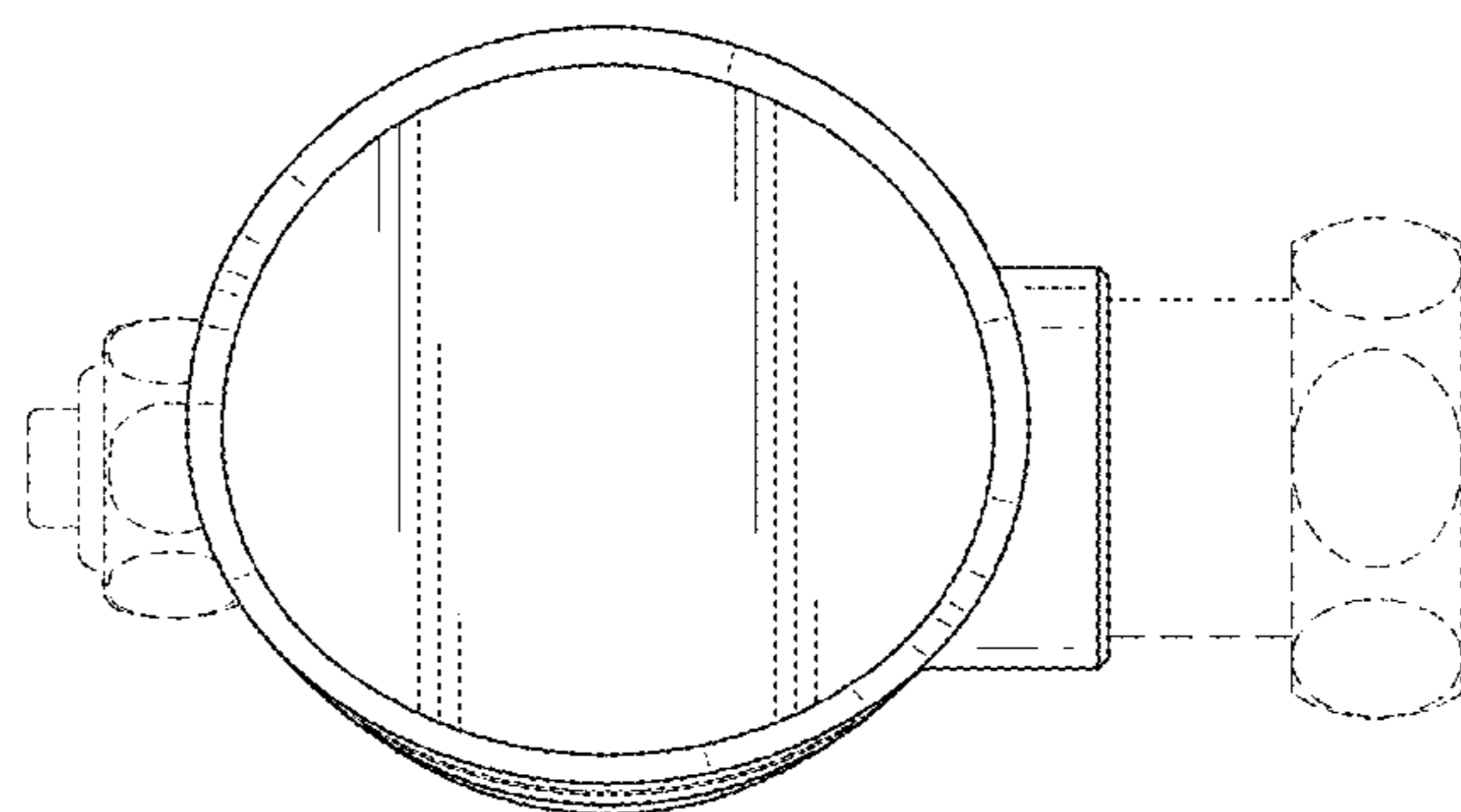


FIG. 6

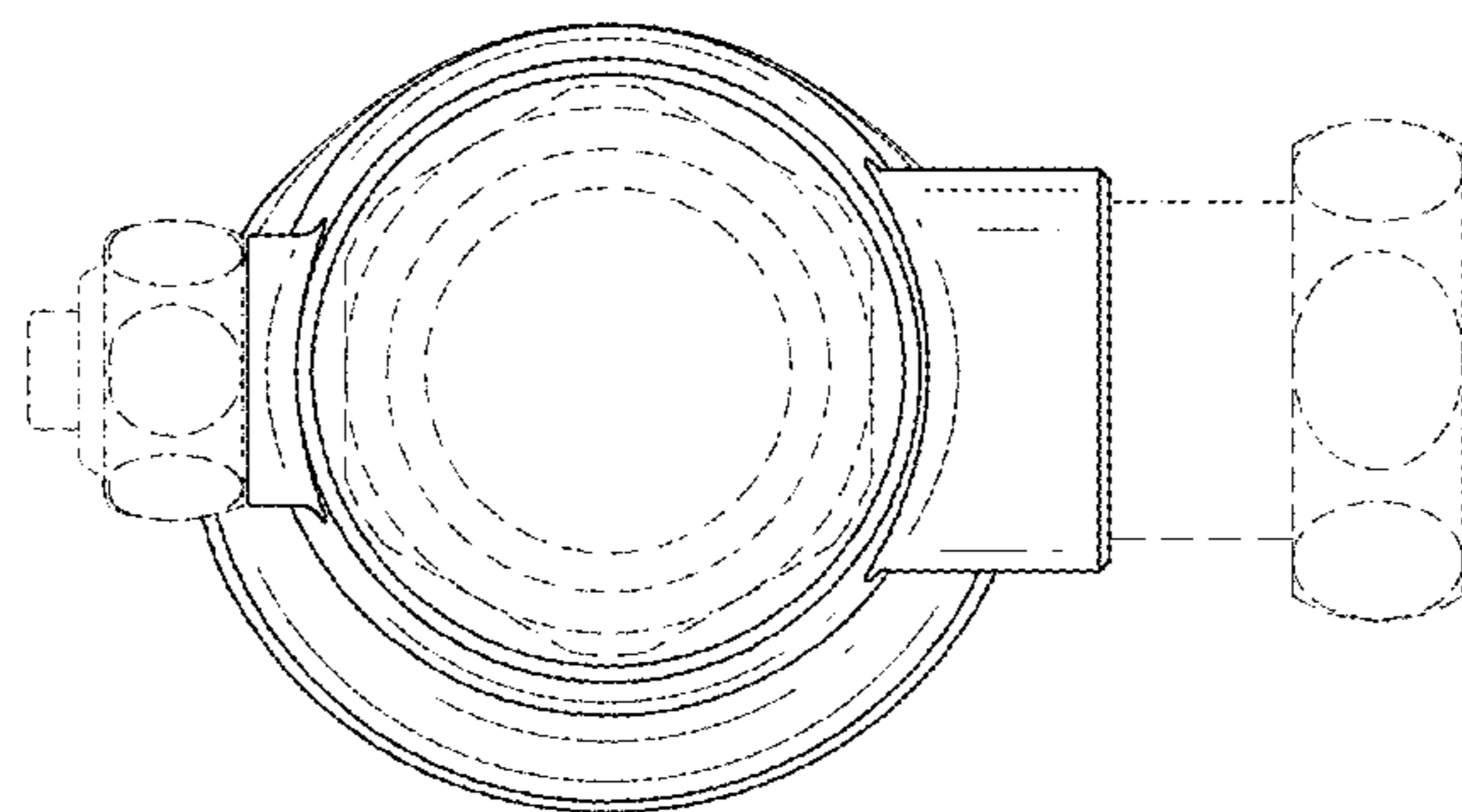


FIG. 7