



US00D885218S

(12) **United States Design Patent** (10) **Patent No.:** **US D885,218 S**
Nogueira et al. (45) **Date of Patent:** **** May 26, 2020**

(54) **FERMENTATION VAT MONITOR**
(71) Applicant: **WATGRID LDA., Aveiro (PT)**
(72) Inventors: **Rogério Nogueira, Aveiro (PT); Lúcia Bilo, Aveiro (PT); Fábio Gonçalves, Aveiro (PT); Pedro Costa, Aveiro (PT); Ricardo Pereira, Aveiro (PT)**
(73) Assignee: **WATGRID LDA. (PT)**
(**) Term: **15 Years**
(21) Appl. No.: **29/670,902**
(22) Filed: **Nov. 20, 2018**
(51) **LOC (12) Cl.** **10-04**
(52) **U.S. Cl.**
USPC **D10/81**
(58) **Field of Classification Search**
USPC D10/81
CPC G01N 33/146; G01N 27/4045; G01N 2033/4977; C12C 11/003; C12G 1/0203; C12G 1/005
See application file for complete search history.

Primary Examiner — Antoine Duval Davis
(74) *Attorney, Agent, or Firm* — McAndrews, Held & Malloy, Ltd.

(57) **CLAIM**

The ornamental design for a fermentation vat monitor, as shown and described.

DESCRIPTION

FIG. 1 is a front perspective view of a fermentation vat monitor showing our new design according to a first embodiment;
FIG. 2 is a front elevation view thereof;
FIG. 3 is a rear elevation view thereof;
FIG. 4 is a right side elevation view thereof;
FIG. 5 is a left side elevation view thereof;
FIG. 6 is a top plan view thereof;
FIG. 7 is a bottom plan view thereof;
FIG. 8 is a right side elevation view thereof, showing a vat to provide example environment;
FIG. 9 is a front perspective view of a fermentation vat monitor showing our new design according to a second embodiment;
FIG. 10 is a front elevation view thereof;
FIG. 11 is a rear elevation view thereof;
FIG. 12 is a right side elevation view thereof;
FIG. 13 is a left side elevation view thereof;
FIG. 14 is a top plan view thereof; and,
FIG. 15 is a bottom plan view thereof.
The dashed broken line showing of a vat in FIG. 8 is for the purpose of illustrating environmental structure that forms no part of the claimed design. The remaining dashed broken lines in the figures illustrate portions of the fermentation vat monitor that form no part of the claimed design.

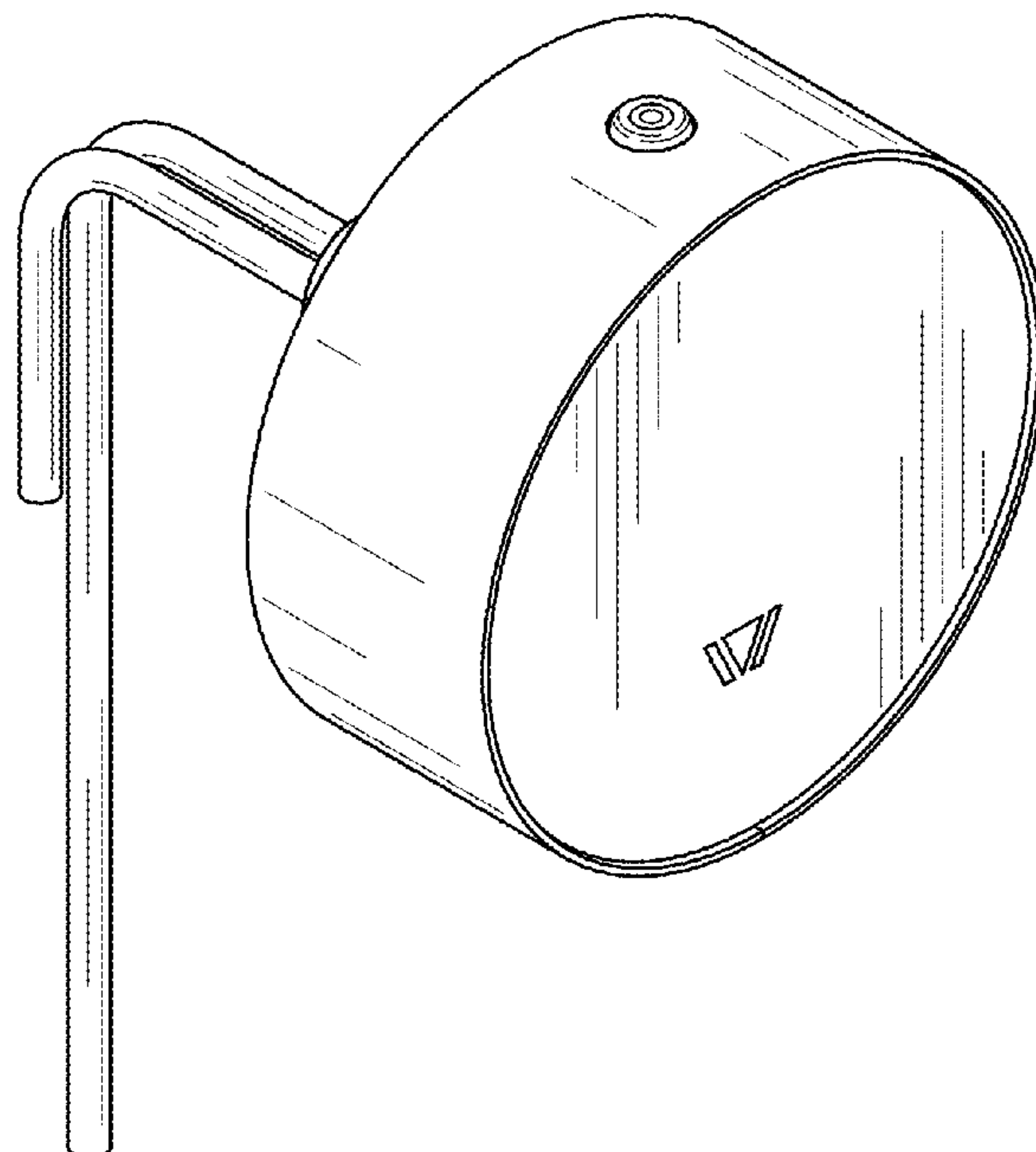
(56) **References Cited**

U.S. PATENT DOCUMENTS

5,284,566	A *	2/1994	Cuomo	G01N 27/4045
					204/412
6,305,214	B1 *	10/2001	Schattke	G01N 27/4045
					204/412
6,579,432	B2 *	6/2003	Mallory	G01N 27/4045
					204/409
7,556,934	B2 *	7/2009	Ragless	G01N 7/04
					422/417
10,451,455	B2 *	10/2019	Sweet	G01D 21/02

* cited by examiner

1 Claim, 10 Drawing Sheets



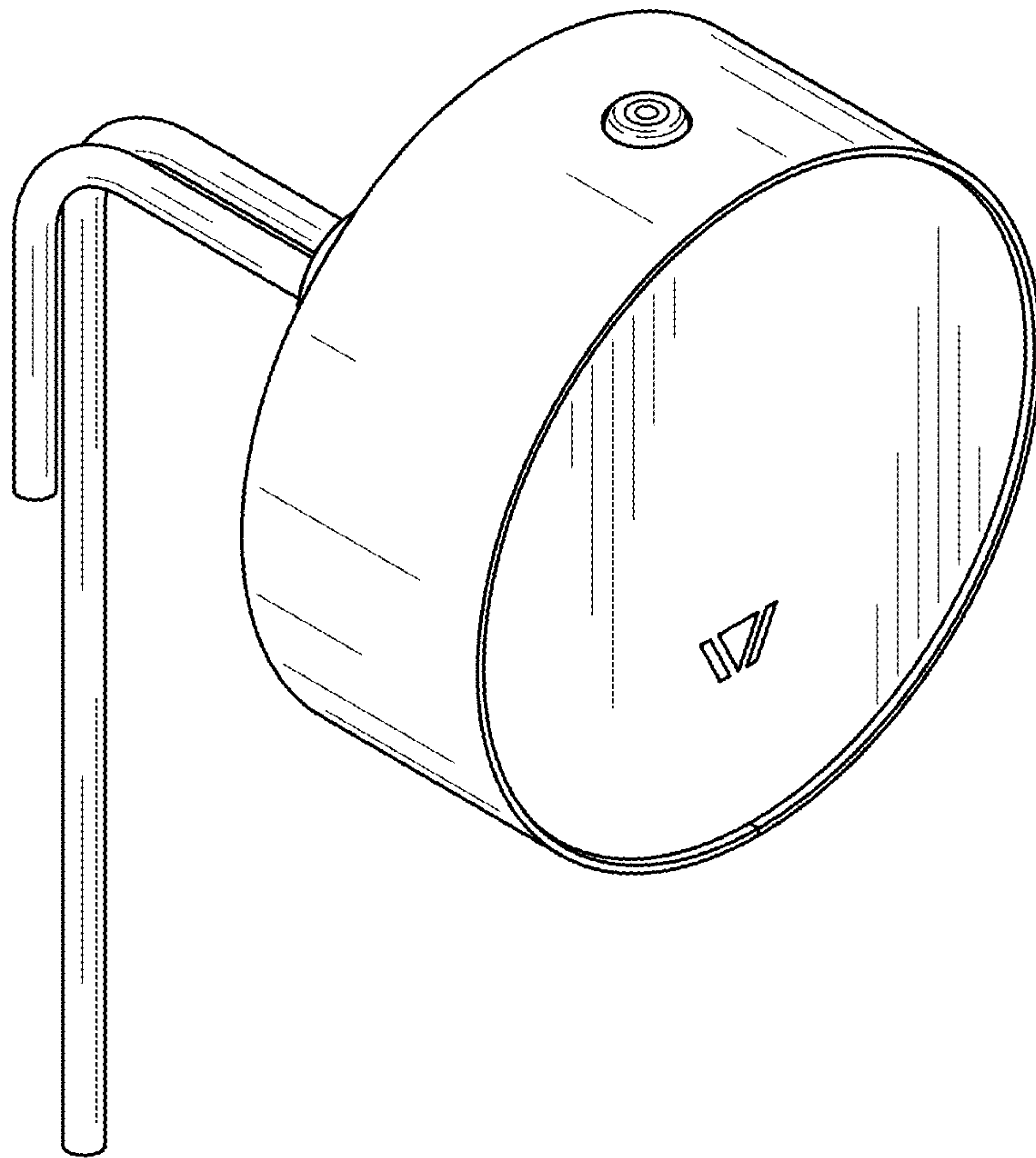


FIG. 1

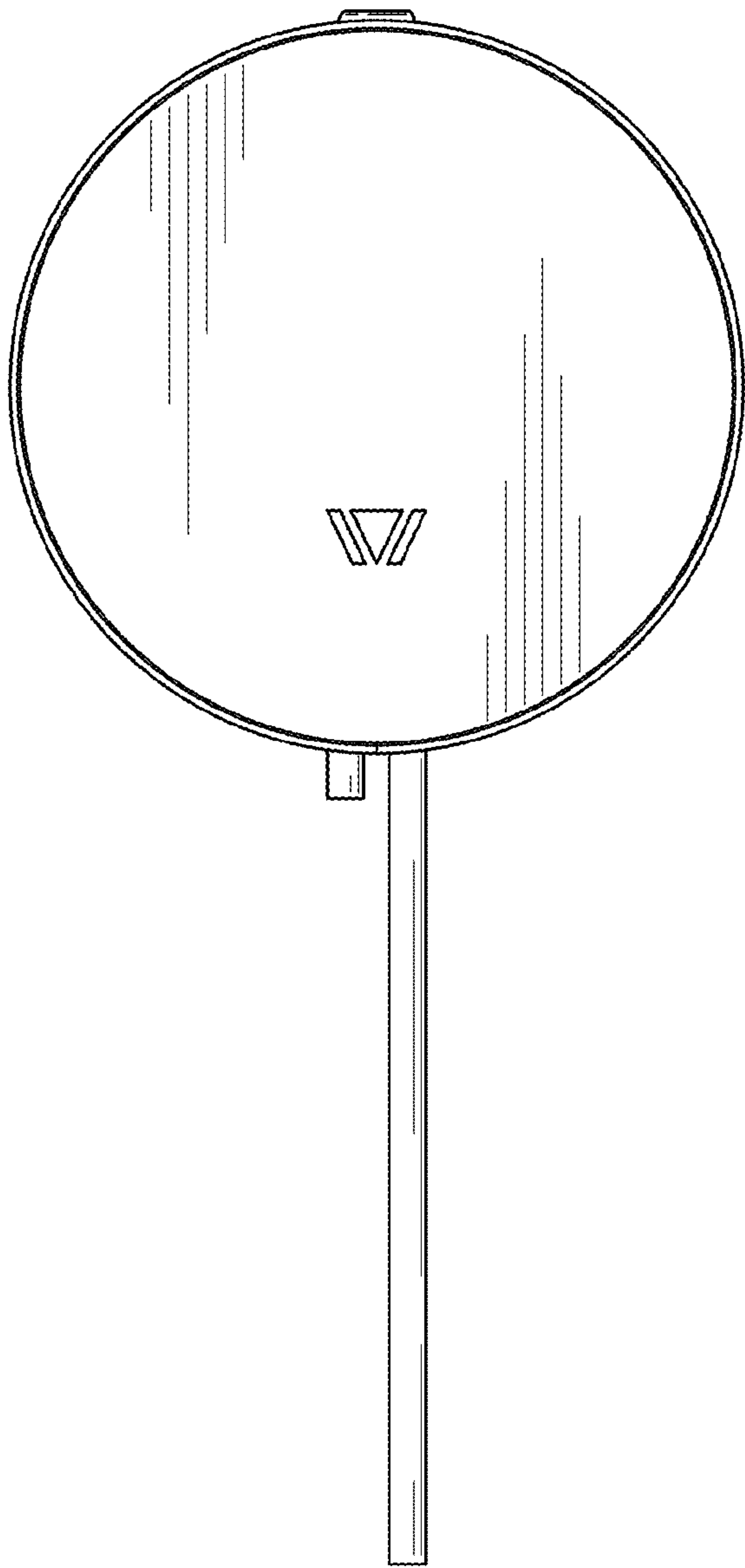


FIG. 2

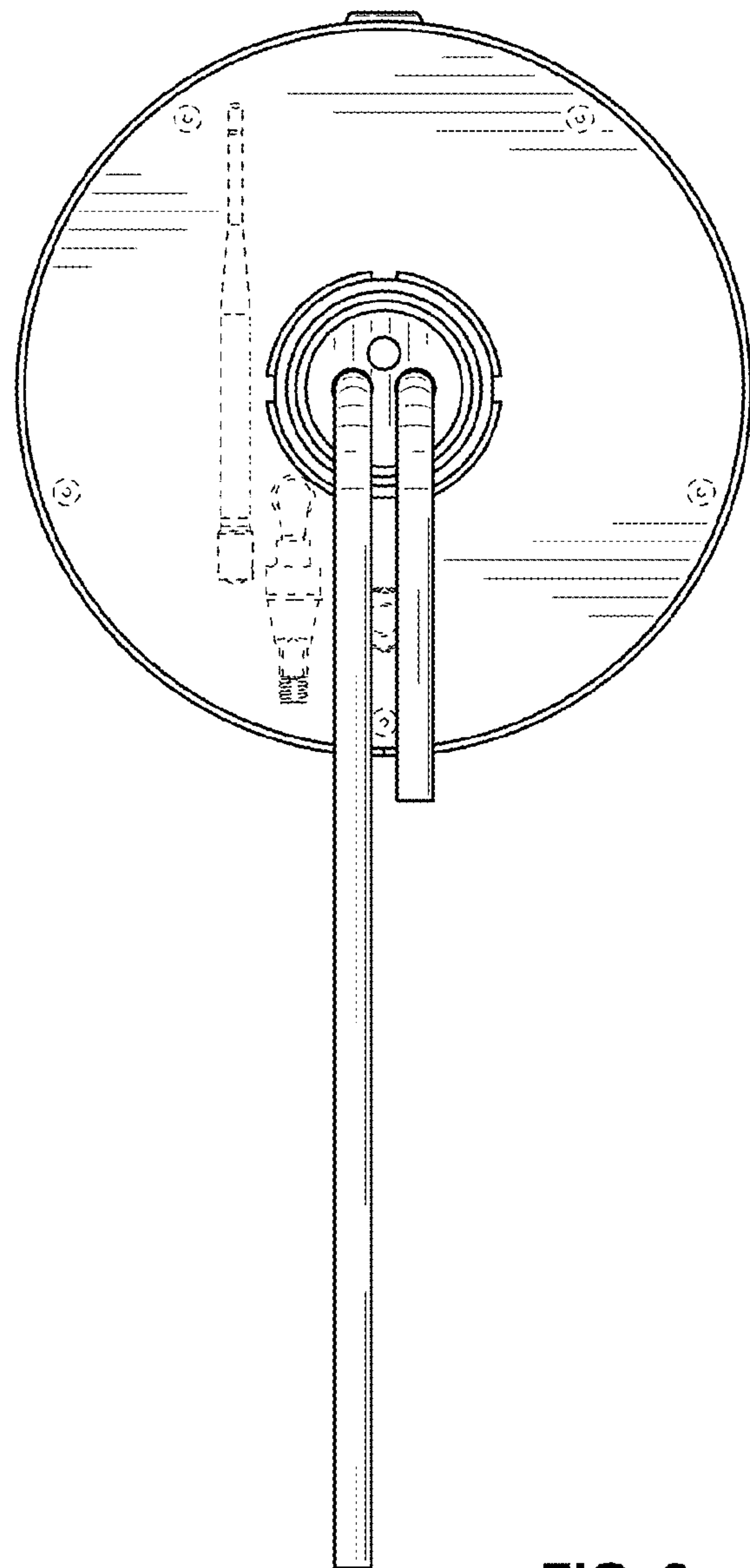


FIG. 3

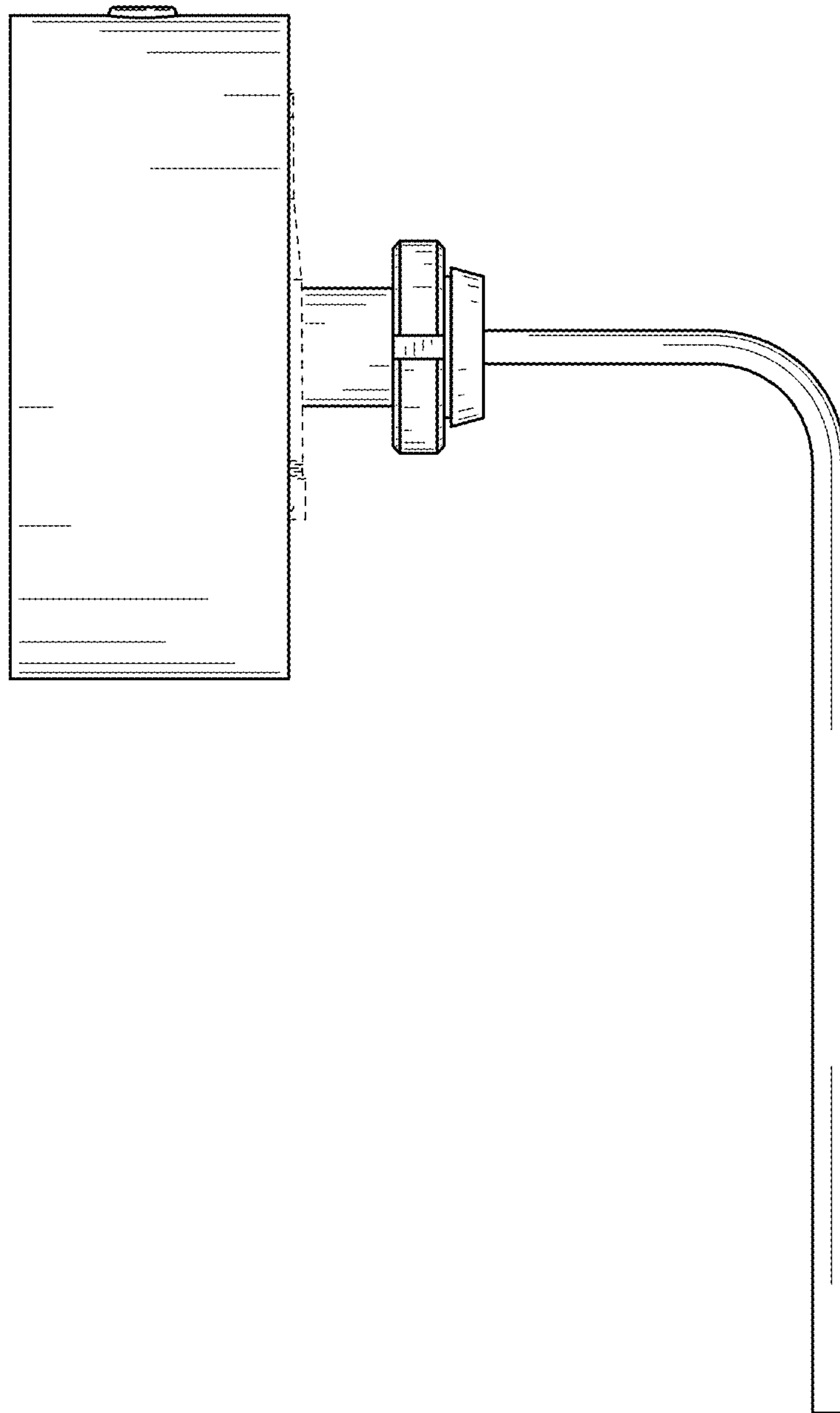


FIG. 4

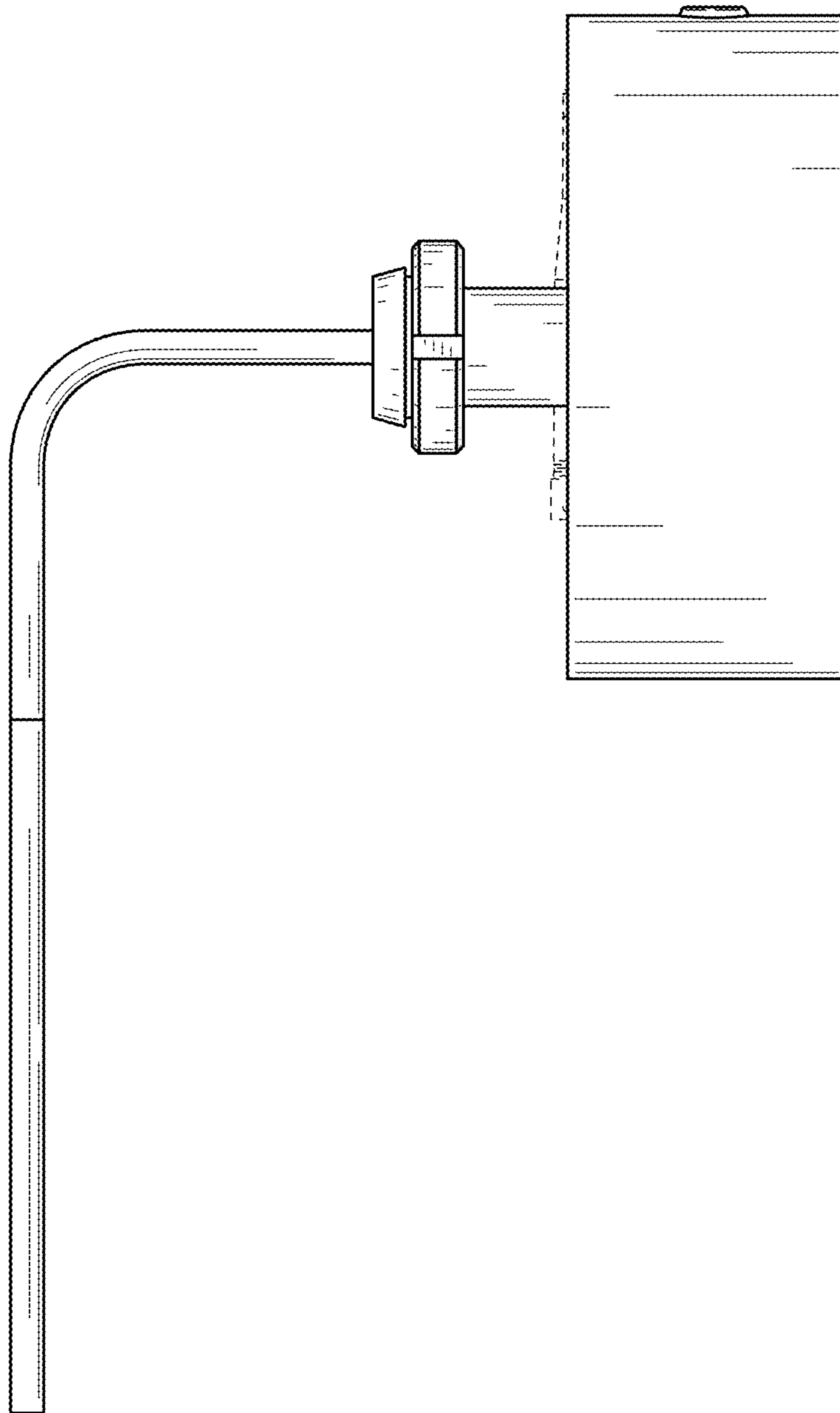


FIG. 5

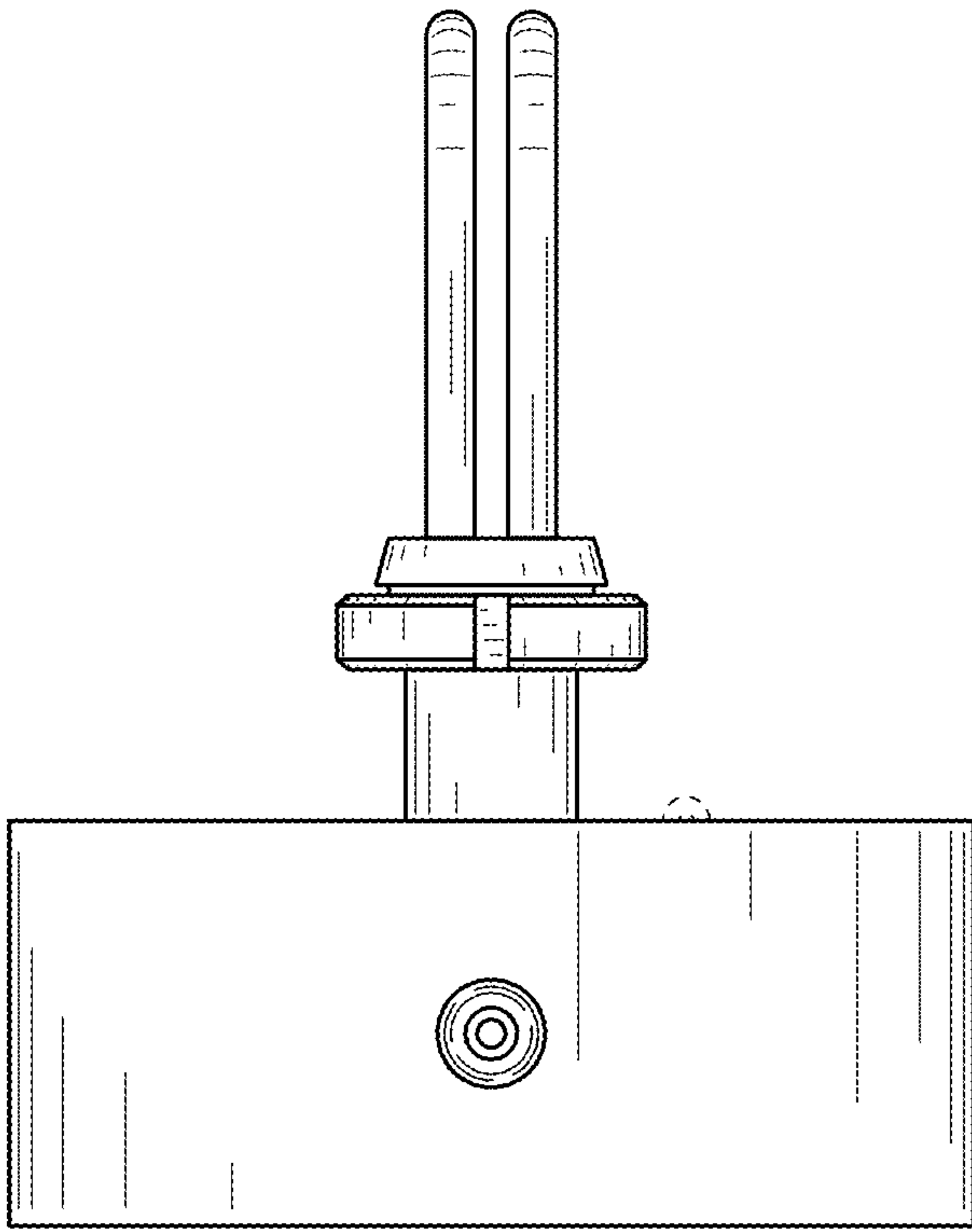


FIG. 6

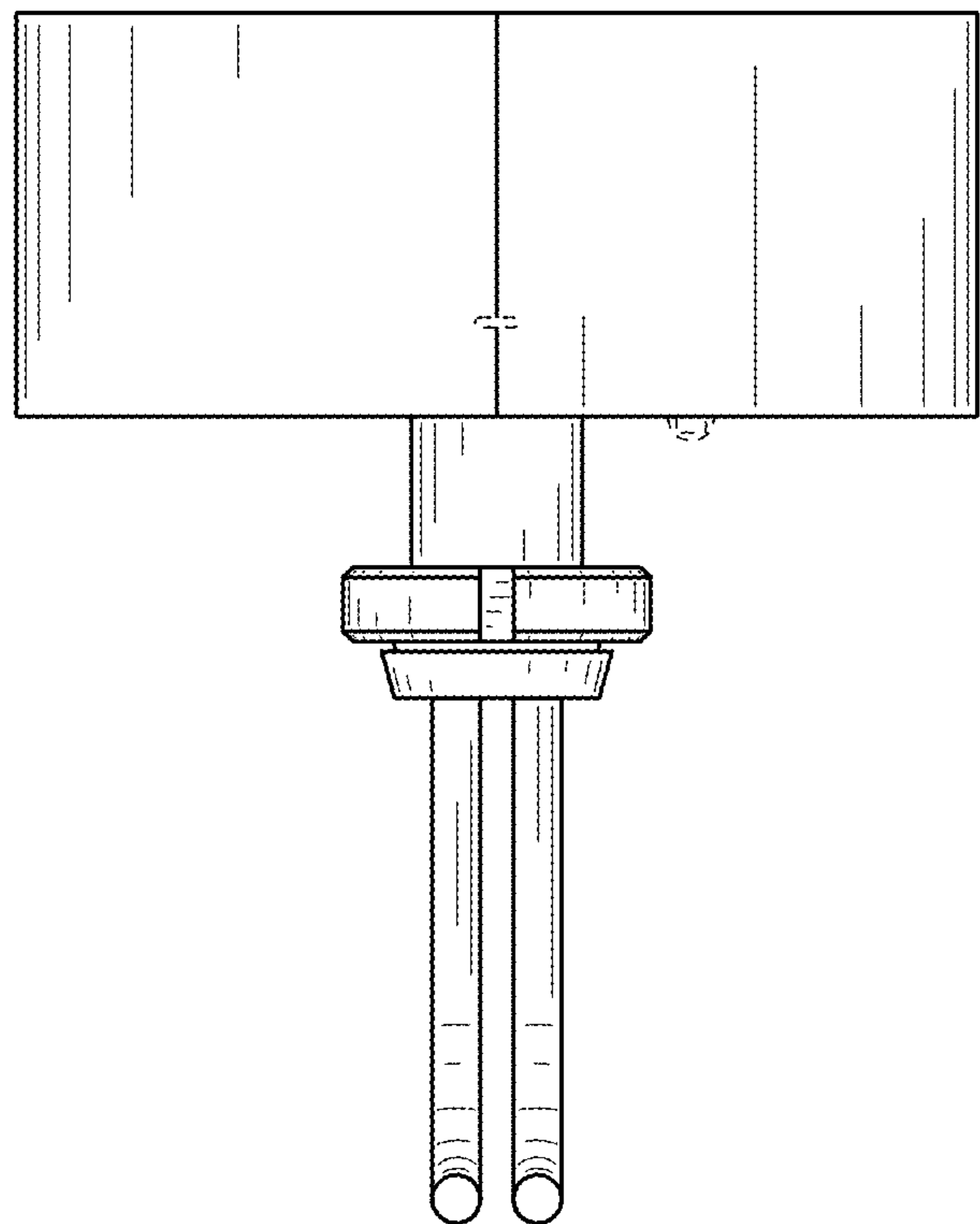


FIG. 7

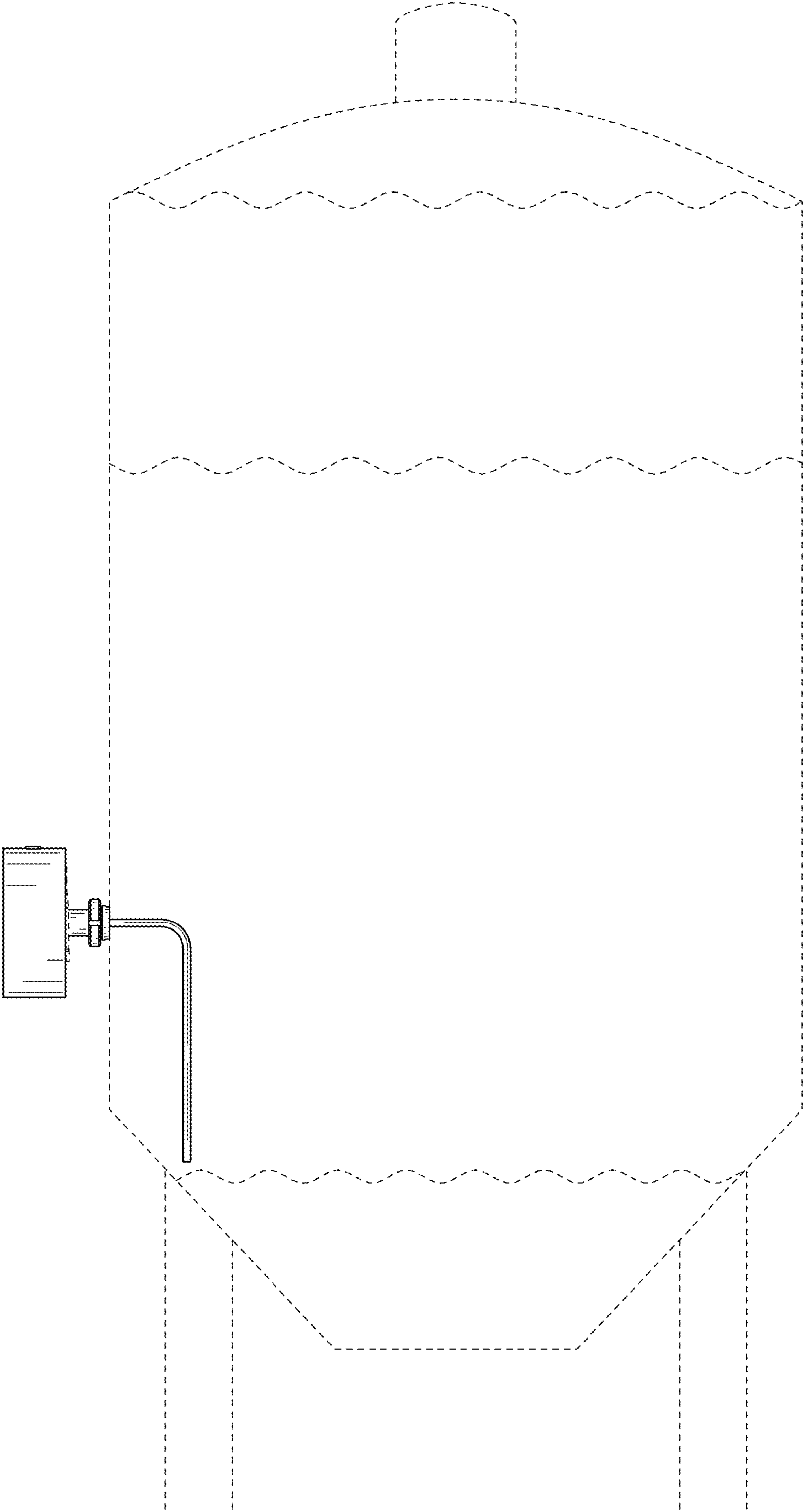


FIG. 8

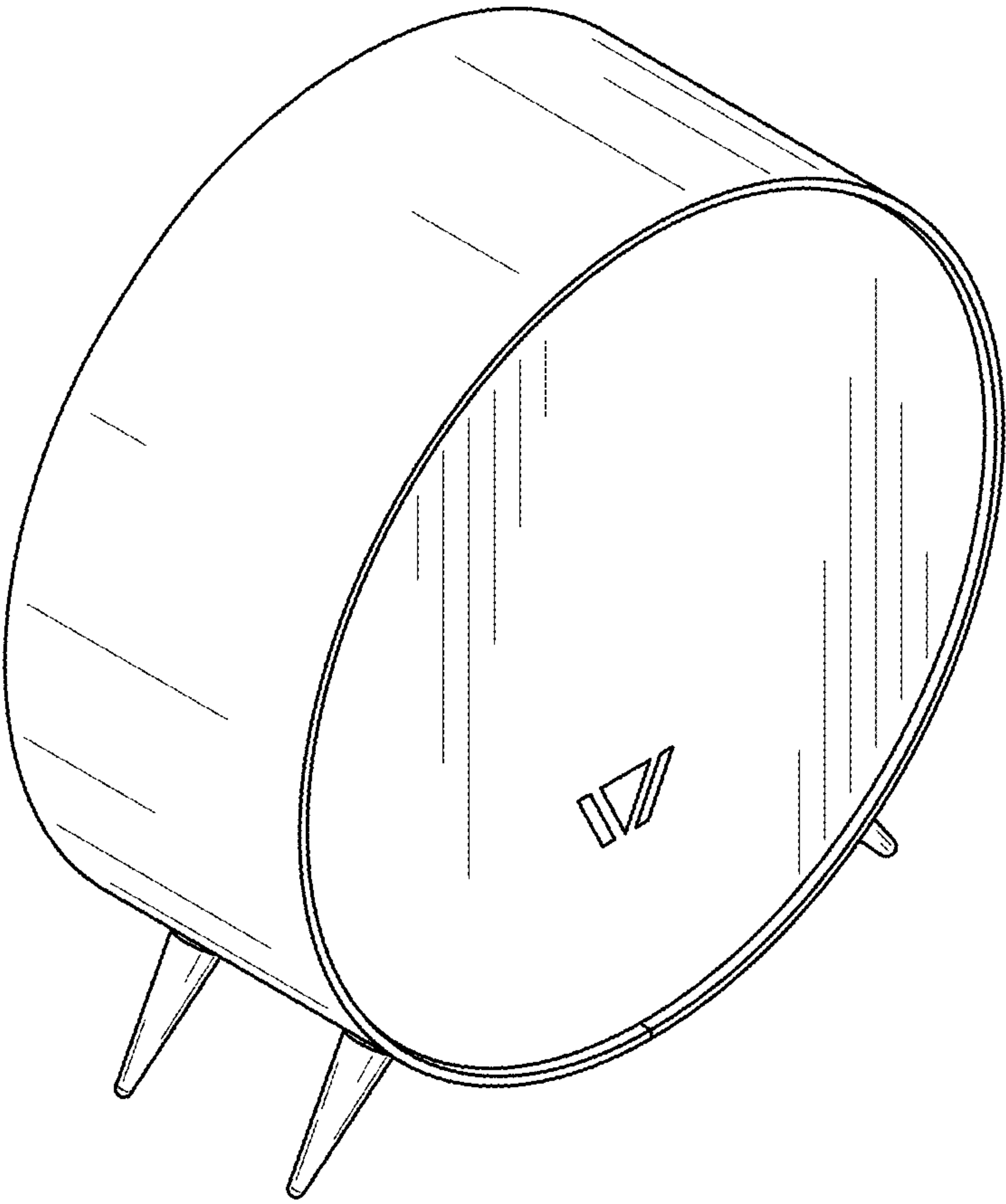


FIG. 9

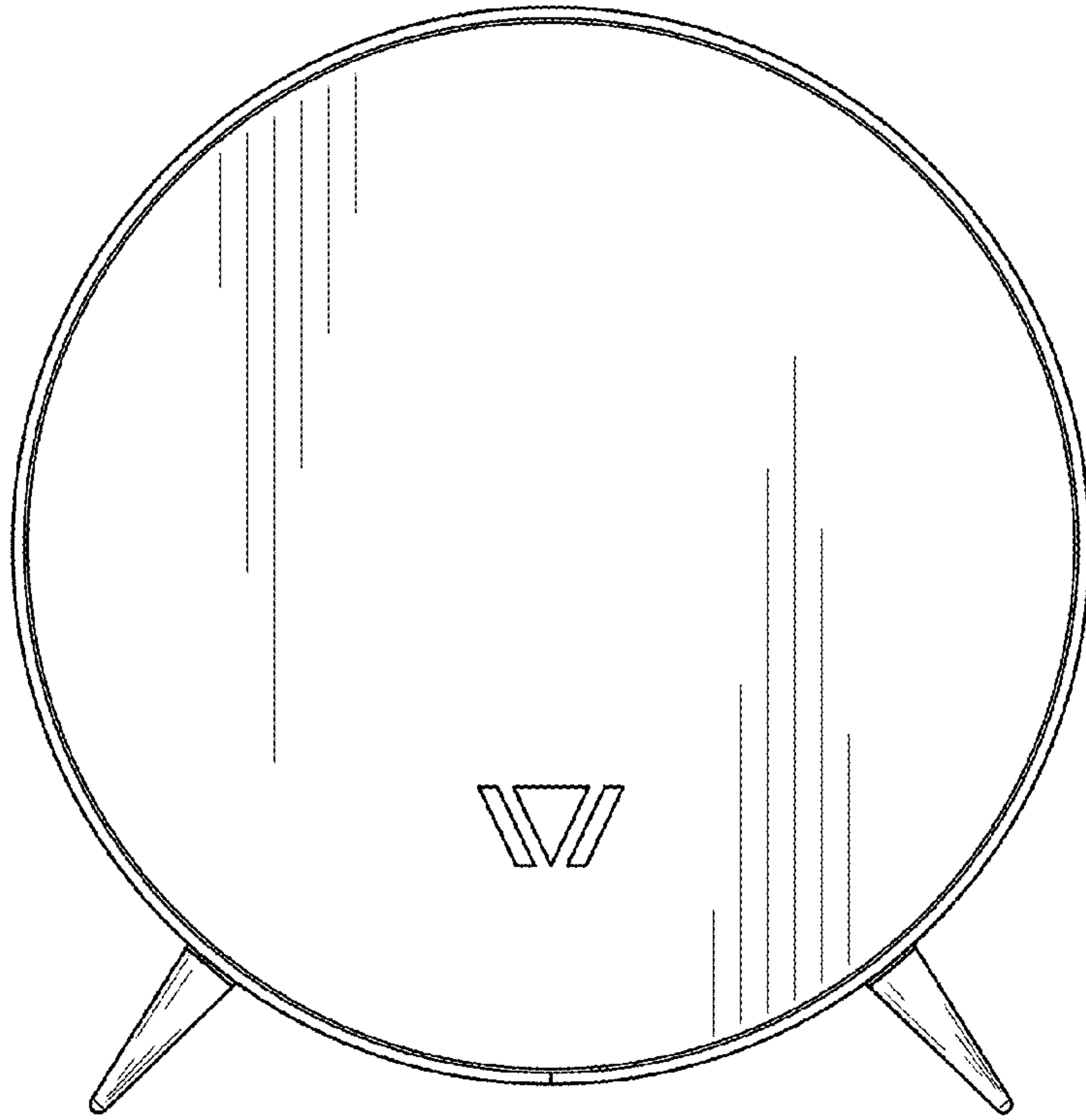


FIG. 10

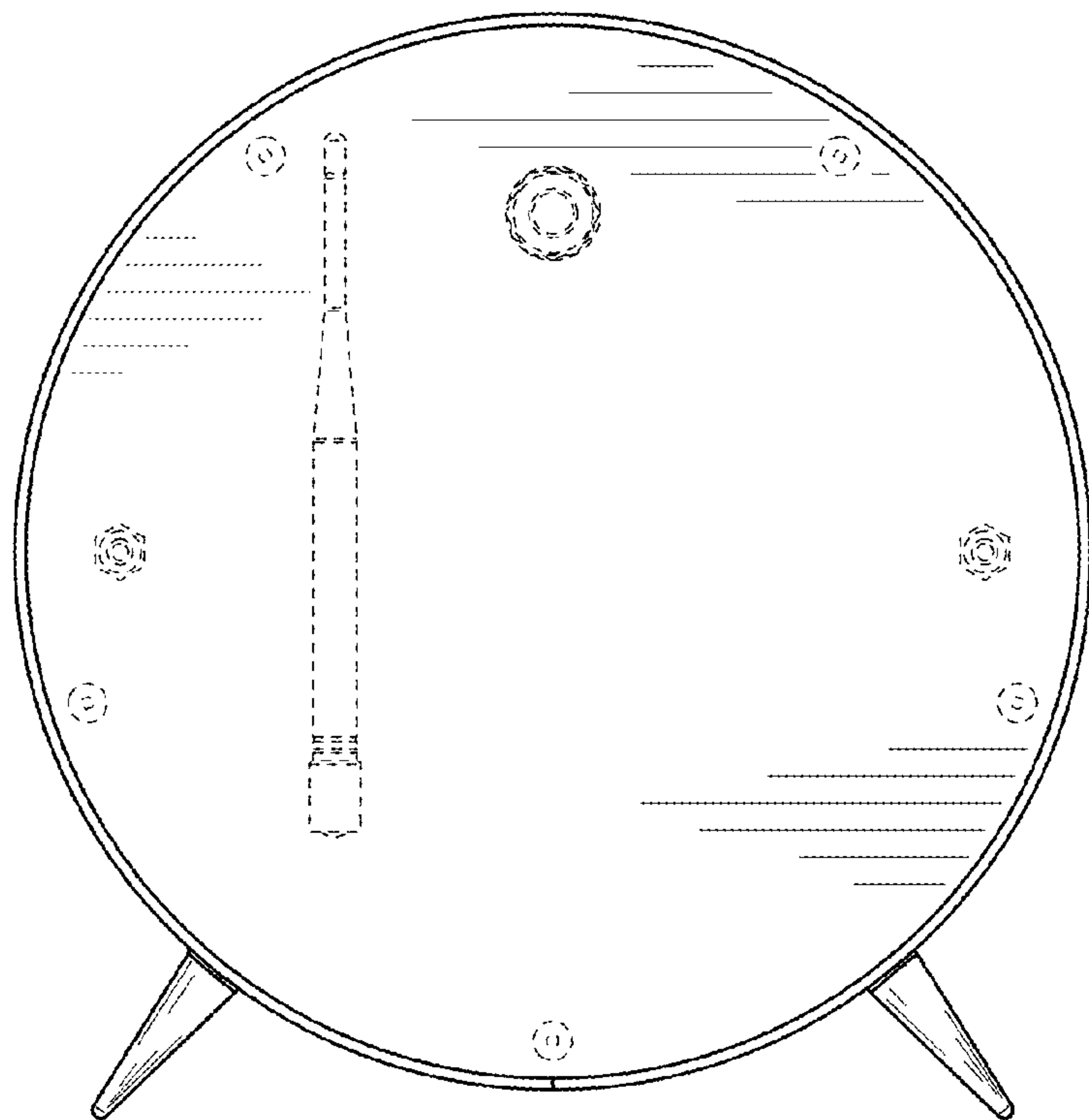


FIG. 11

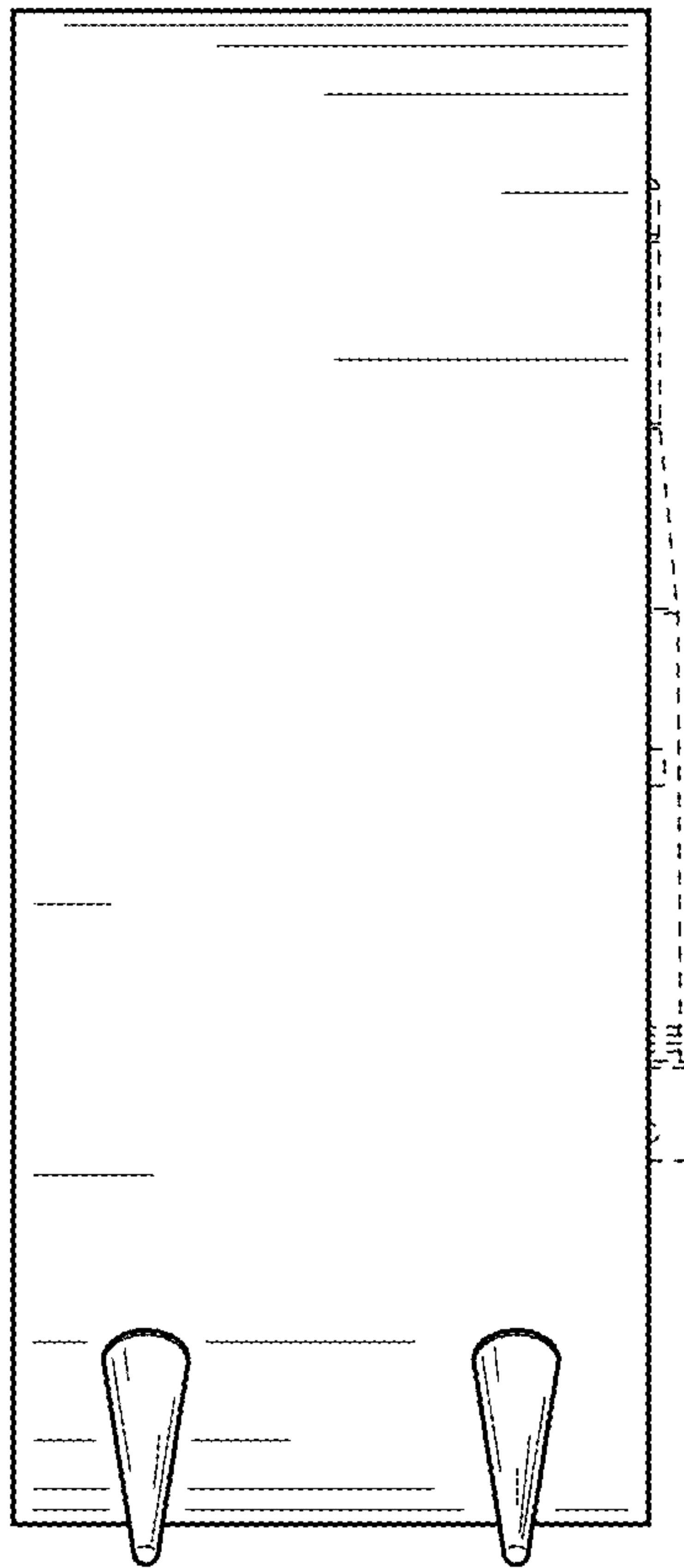


FIG. 12

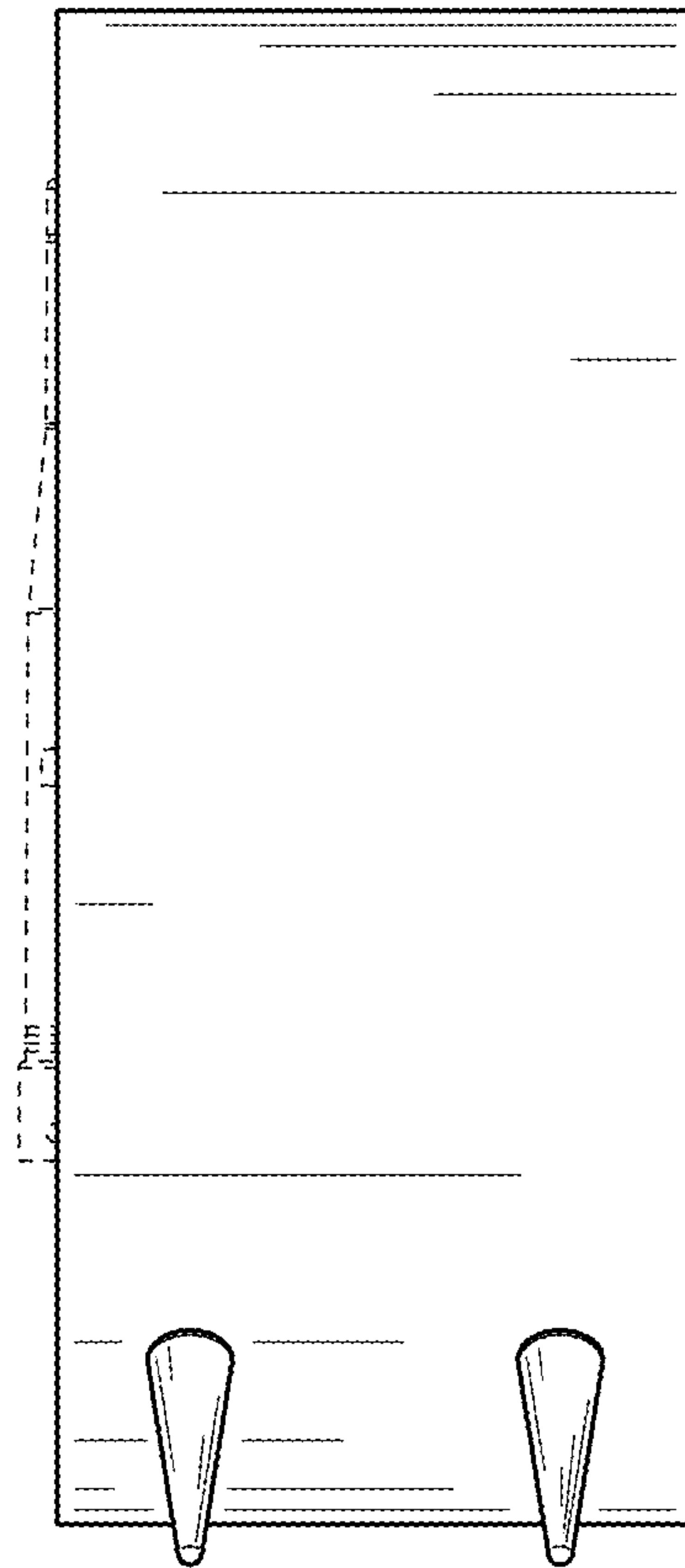


FIG. 13

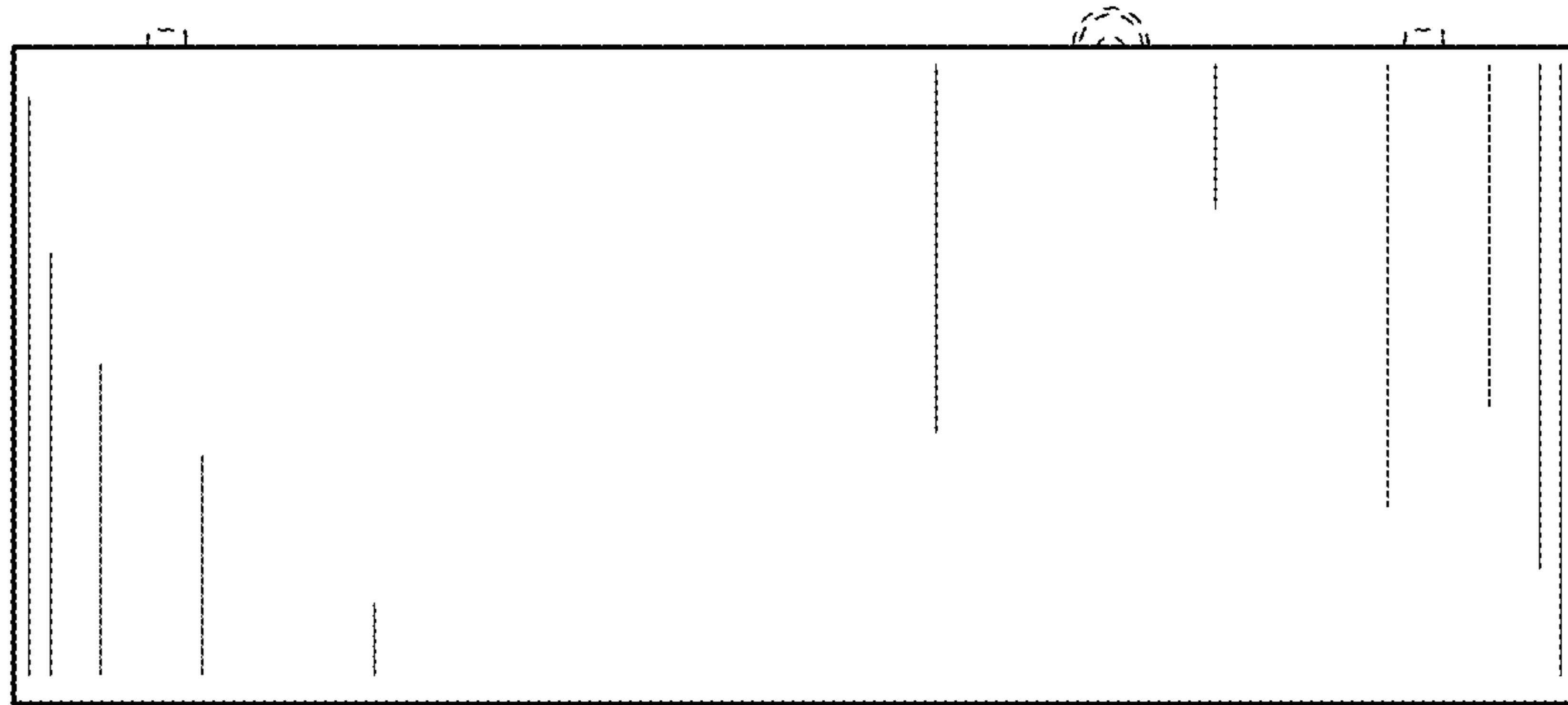


FIG. 14

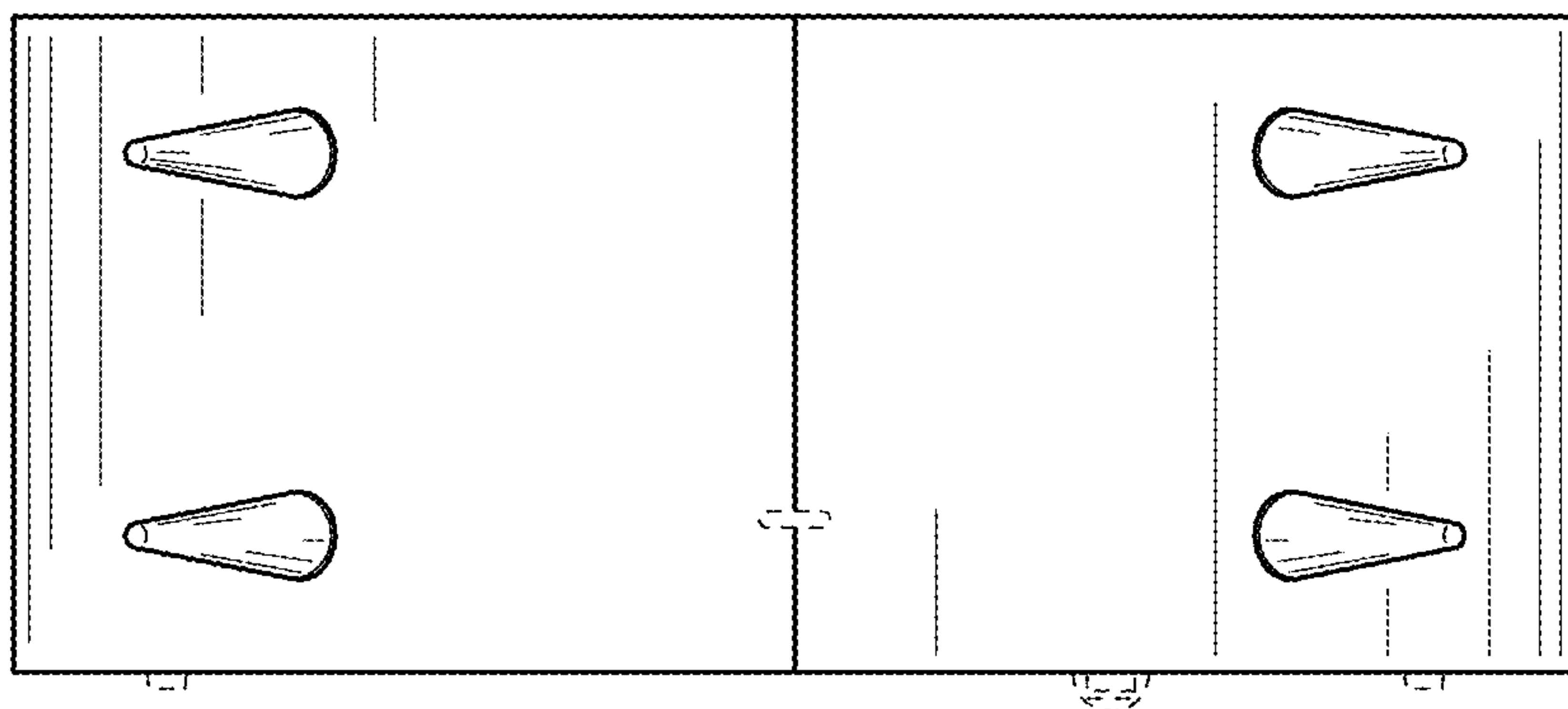


FIG. 15