



US00D885217S

(12) **United States Design Patent**
Nogueira et al.

(10) **Patent No.:** **US D885,217 S**

(45) **Date of Patent:** **** May 26, 2020**

(54) **FERMENTATION BARREL MONITOR**

6,579,432 B2 * 6/2003 Mallory G01N 27/4045
204/409

(71) Applicant: **WATGRID LDA., Aveiro (PT)**

7,556,934 B2 * 7/2009 Ragless G01N 7/04
422/417

(72) Inventors: **Rogério Nogueira, Aveiro (PT); Lúcia Bilro, Aveiro (PT); Fábio Gonçalves, Aveiro (PT); Pedro Costa, Aveiro (PT); Ricardo Pereira, Aveiro (PT)**

10,451,455 B2 * 10/2019 Sweet G01D 21/02

* cited by examiner

(73) Assignee: **WATGRID LDA. (PT)**

Primary Examiner — Antoine Duval Davis

(74) *Attorney, Agent, or Firm* — McAndrews, Held & Malloy, Ltd.

(**) Term: **15 Years**

(57) **CLAIM**

(21) Appl. No.: **29/670,900**

The ornamental design for a fermentation barrel monitor, as shown and described.

(22) Filed: **Nov. 20, 2018**

DESCRIPTION

(51) **LOC (12) Cl.** **10-04**

(52) **U.S. Cl.**

USPC **D10/81**

(58) **Field of Classification Search**

USPC D10/81

CPC G01N 33/146; G01N 27/4045; G01N

2033/4977; C12C 11/003; C12G 1/0203;

C12G 1/005

See application file for complete search history.

FIG. 1 is a front perspective view of a fermentation barrel monitor showing our new design; FIG. 2 is a front elevation view thereof; FIG. 3 is a rear elevation view thereof; FIG. 4 is a right side elevation view thereof; FIG. 5 is a left side elevation view thereof; FIG. 6 is a top plan view thereof; FIG. 7 is a bottom plan view thereof; and, FIG. 8 is a front elevation view thereof, showing a barrel to provide example environment.

The dashed broken line showing of a barrel in FIG. 8 is for the purpose of illustrating environmental structure that forms no part of the claimed design. The remaining dashed broken lines in the figures illustrate portions of the fermentation barrel monitor that form no part of the claimed design.

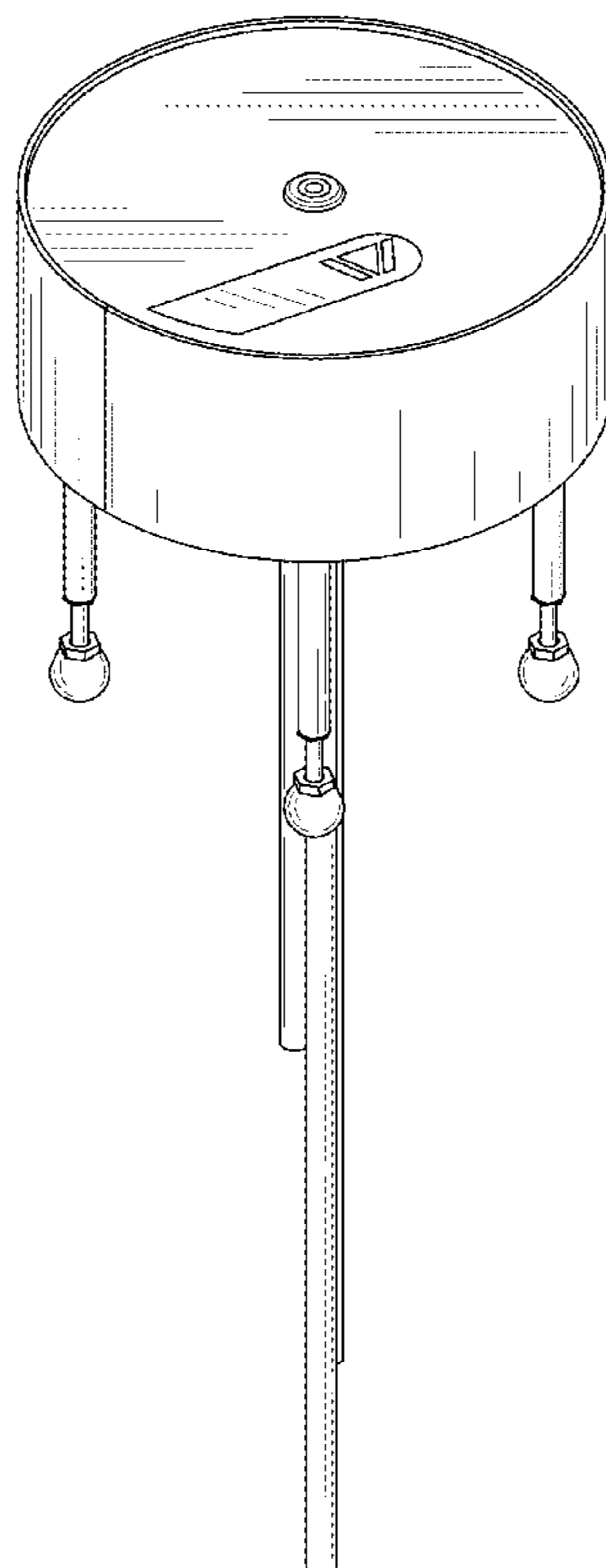
(56) **References Cited**

U.S. PATENT DOCUMENTS

5,284,566 A * 2/1994 Cuomo G01N 27/4045
204/412

6,305,214 B1 * 10/2001 Schattke G01N 27/4045
204/412

1 Claim, 5 Drawing Sheets



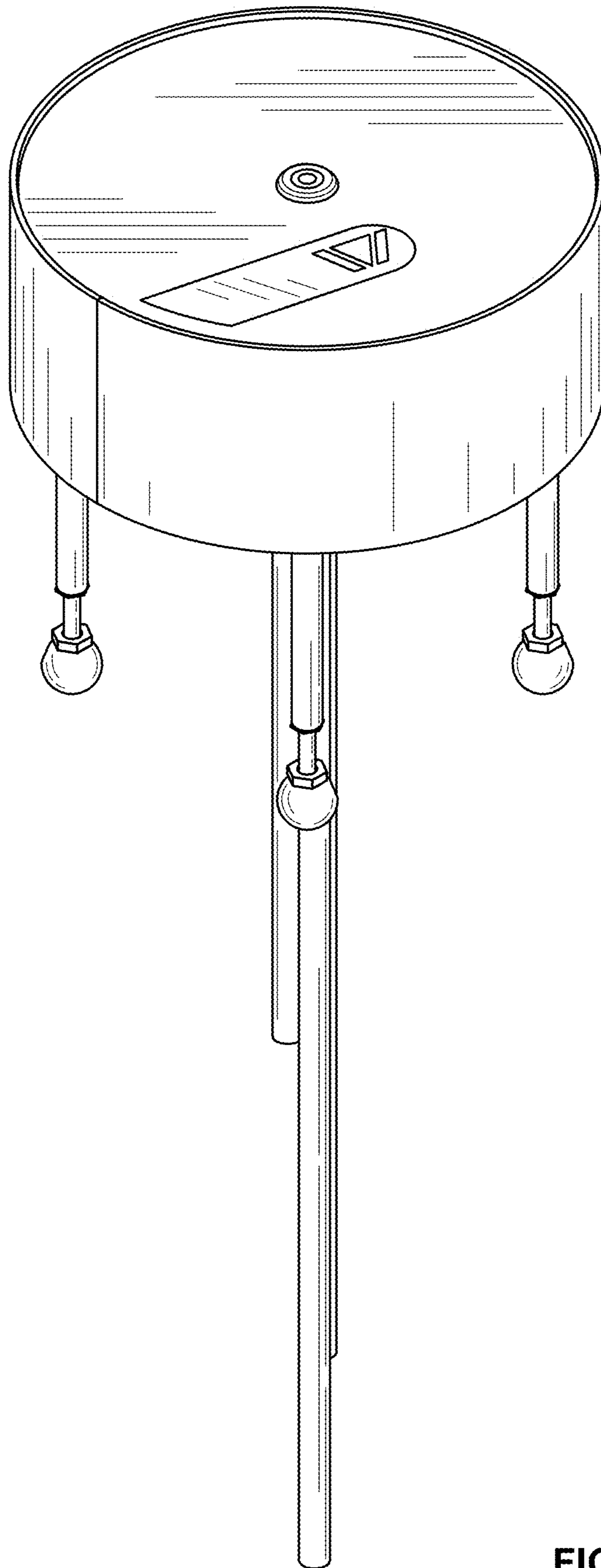


FIG. 1

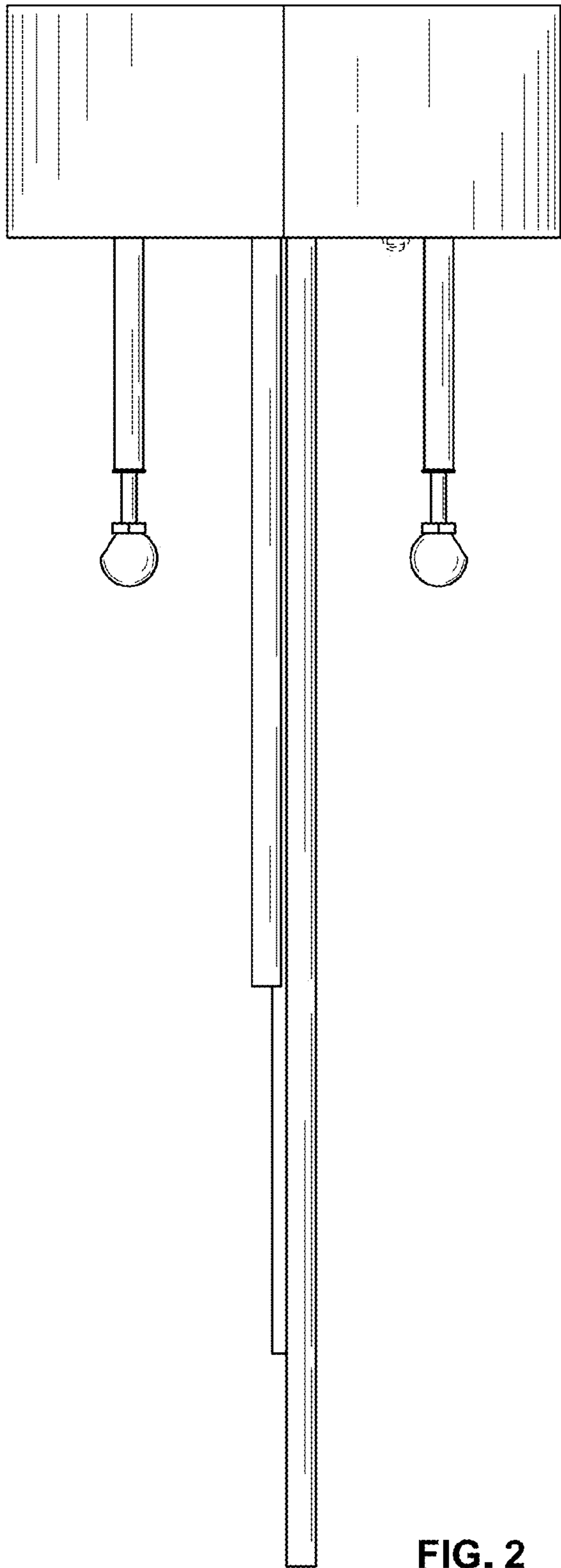


FIG. 2

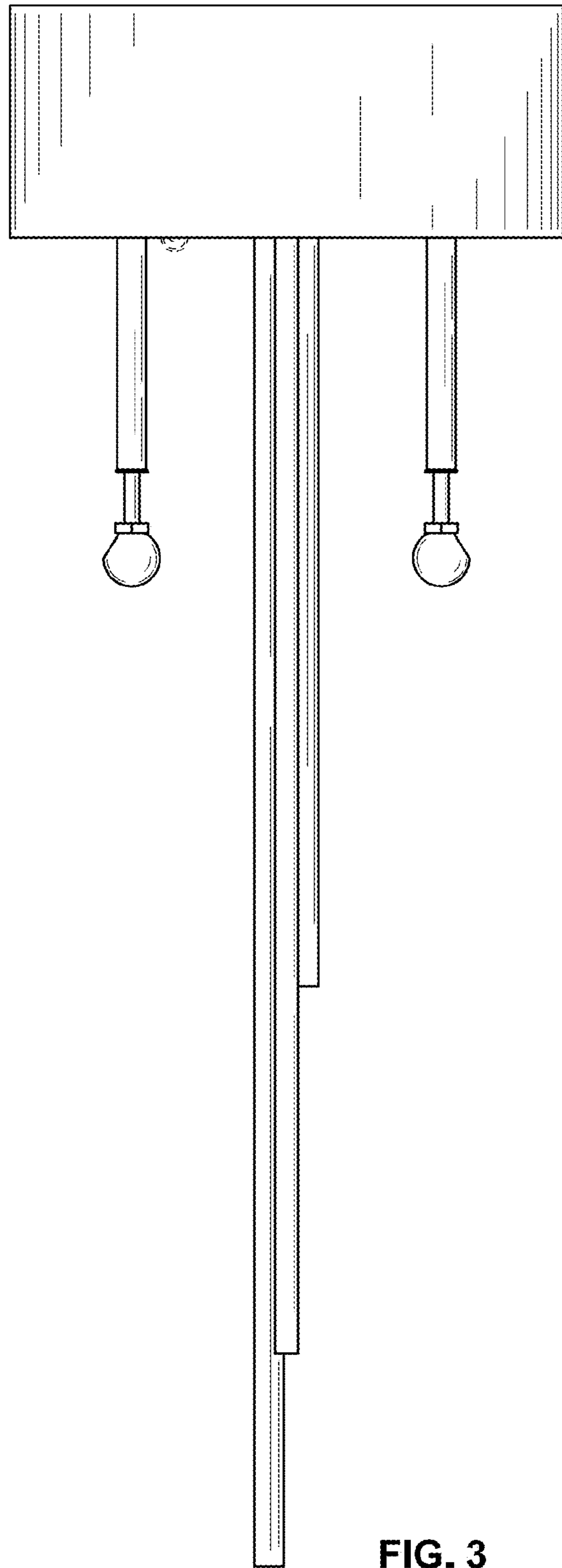


FIG. 3

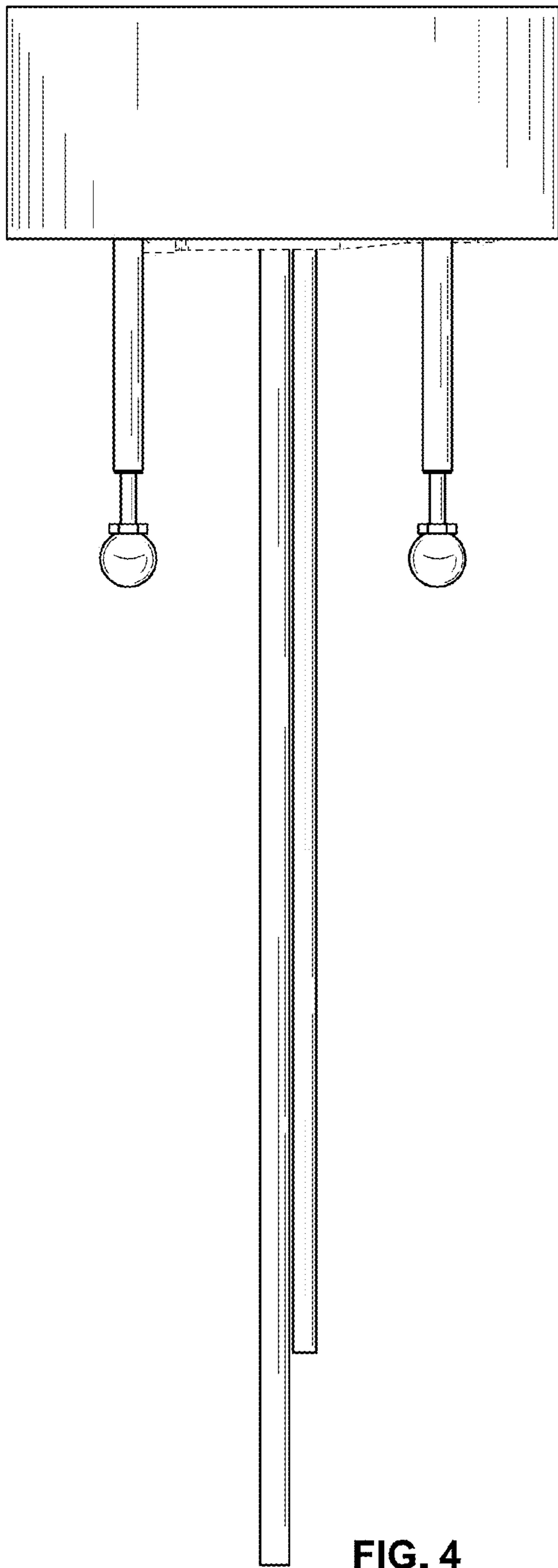


FIG. 4

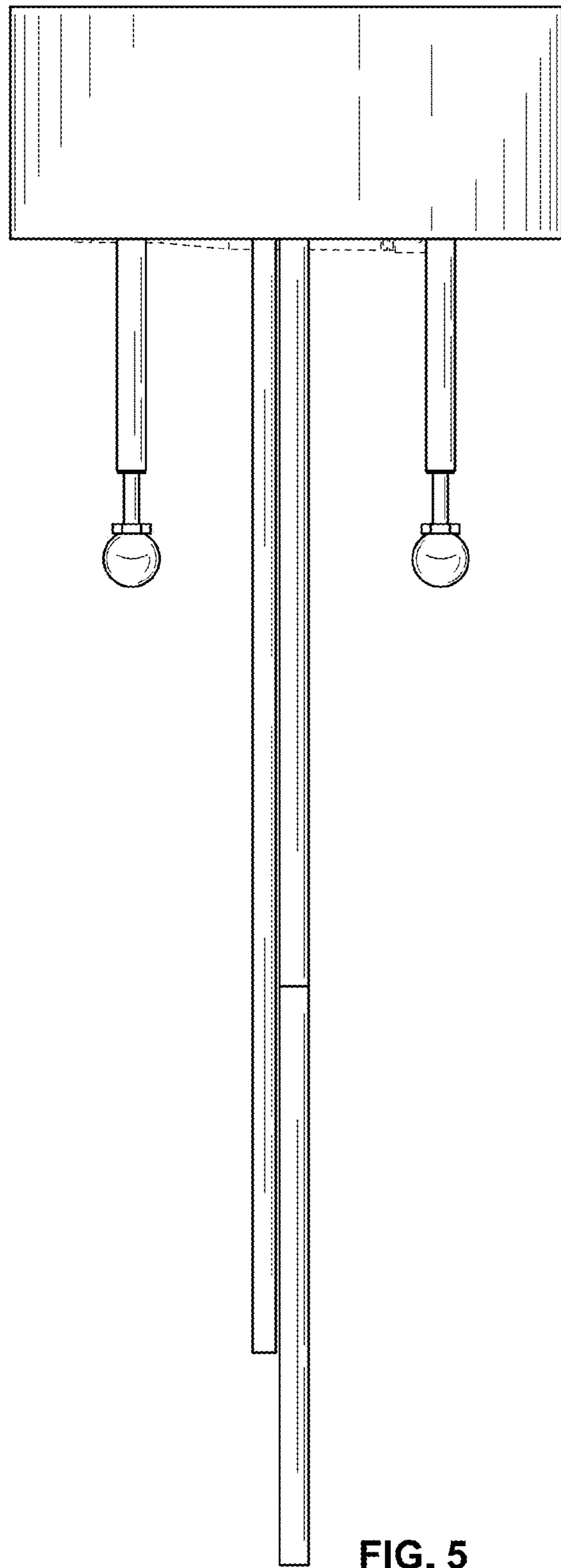


FIG. 5

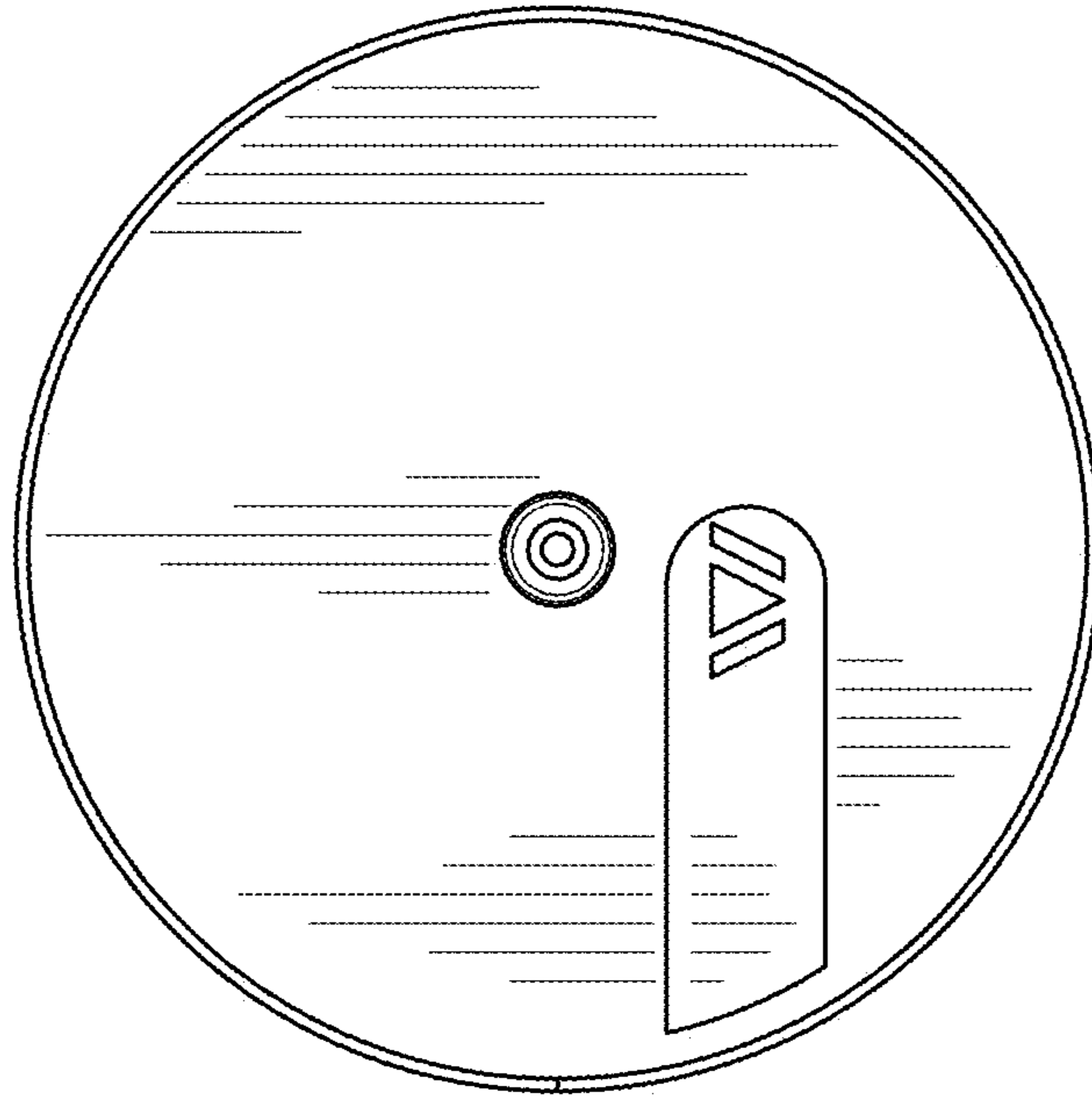


FIG. 6

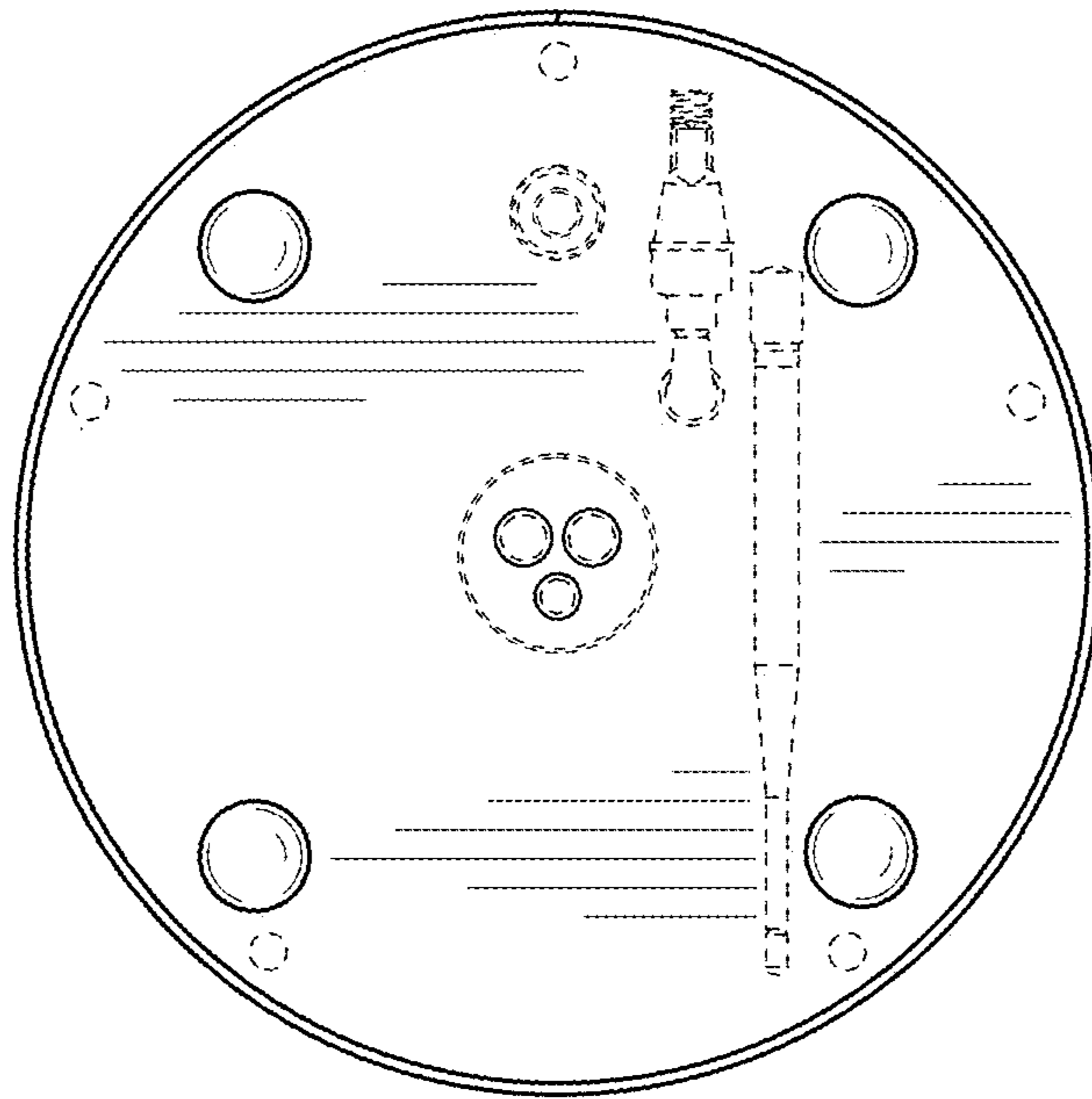


FIG. 7

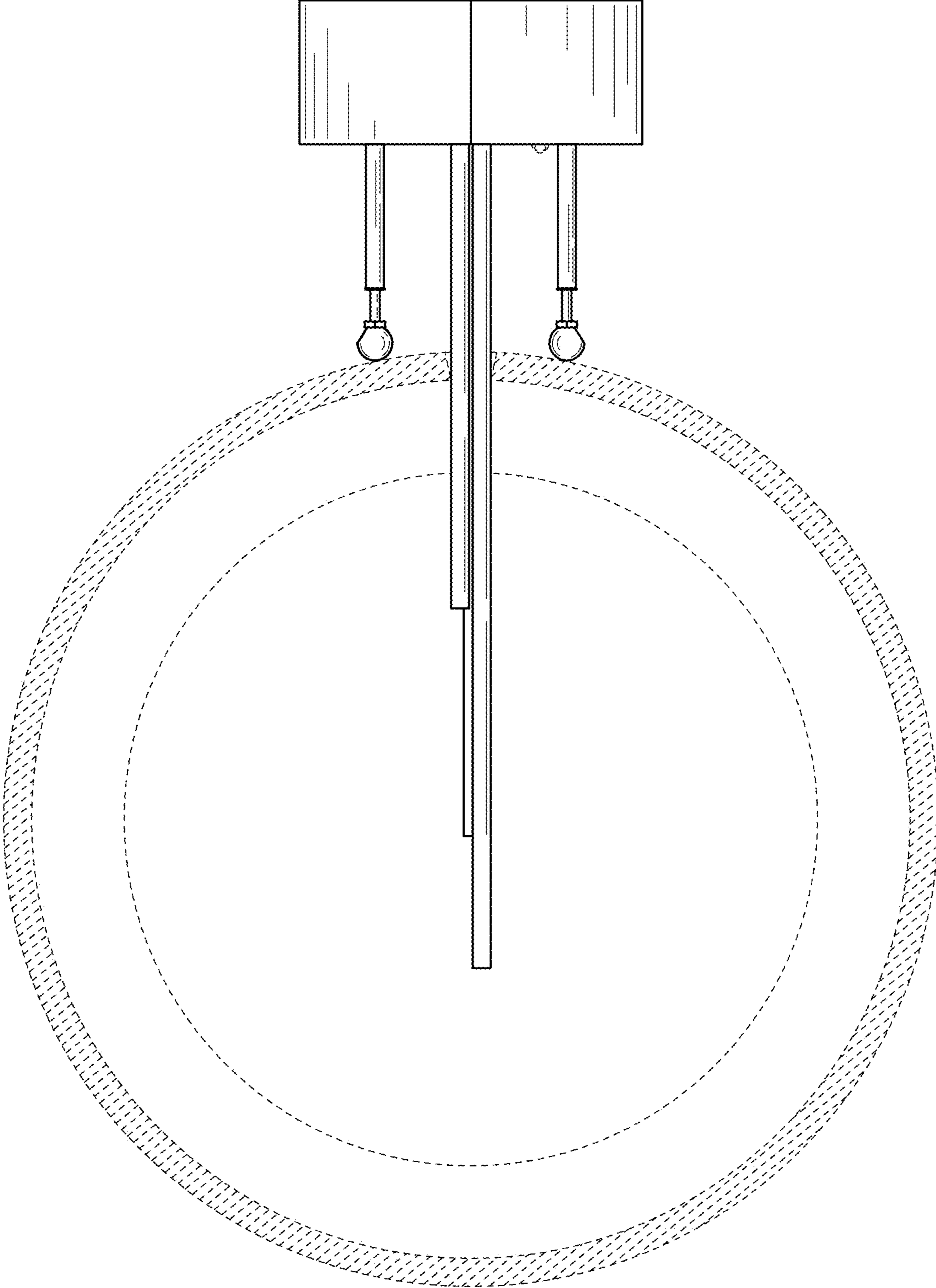


FIG. 8