



US00D885215S

(12) **United States Design Patent** (10) **Patent No.:** **US D885,215 S**  
**Dewey et al.** (45) **Date of Patent:** **\*\* May 26, 2020**

(54) **HANDHELD MAINTENANCE TOOL**

(56) **References Cited**

(71) Applicant: **FISHER-ROSEMOUNT SYSTEMS, INC.**, Round Rock, TX (US)

U.S. PATENT DOCUMENTS

(72) Inventors: **Alan R. Dewey**, Plymouth, MN (US); **Todd M. Toepke**, Eden Prairie, MN (US); **Tom Johnson**, Rosemount, MN (US)

D510,533 S 10/2005 Hoofnagle  
D563,810 S 3/2008 Gershfeld  
8,788,137 B2 7/2014 Bertosa et al.  
D714,171 S 9/2014 Hoofnagle et al.  
D752,460 S 3/2016 Gnauck  
D756,820 S 5/2016 Rekow  
D759,521 S 6/2016 Rekow  
D764,329 S 8/2016 Dewey et al.  
D790,997 S 7/2017 Dewey et al.

(73) Assignee: **FISHER-ROSEMOUNT SYSTEMS, INC.**, Round Rock, TX (US)

(Continued)

(\*\*) Term: **15 Years**

*Primary Examiner* — Antoine Duval Davis

(21) Appl. No.: **29/696,127**

(74) *Attorney, Agent, or Firm* — Marshall, Gerstein & Borun LLP

(22) Filed: **Jun. 25, 2019**

(57) **CLAIM**

The ornamental design for a handheld maintenance tool, as shown and described.

**Related U.S. Application Data**

**DESCRIPTION**

(60) Division of application No. 29/647,103, filed on May 9, 2018, now Pat. No. Des. 856,831, which is a continuation of application No. 29/605,247, filed on May 24, 2017, now Pat. No. Des. 818,857, which is a division of application No. 29/571,212, filed on Jul. 15, 2016, now Pat. No. Des. 790,997, which is a continuation of application No. 29/523,409, filed on Apr. 9, 2015, now Pat. No. Des. 764,329.

FIG. 1 is a front, right-side, and top view of a second embodiment of a handheld maintenance tool of the inventive design;

(51) **LOC (12) Cl.** ..... **10-04**

(52) **U.S. Cl.**  
USPC ..... **D10/78; D10/46**

FIG. 2 is a front view of the handheld maintenance tool shown in FIG. 1;

FIG. 3 is a left-side view of the handheld maintenance tool shown in FIG. 1;

FIG. 4 is a rear view of the handheld maintenance tool shown in FIG. 1;

FIG. 5 is a right-side view of the handheld maintenance tool shown in FIG. 1;

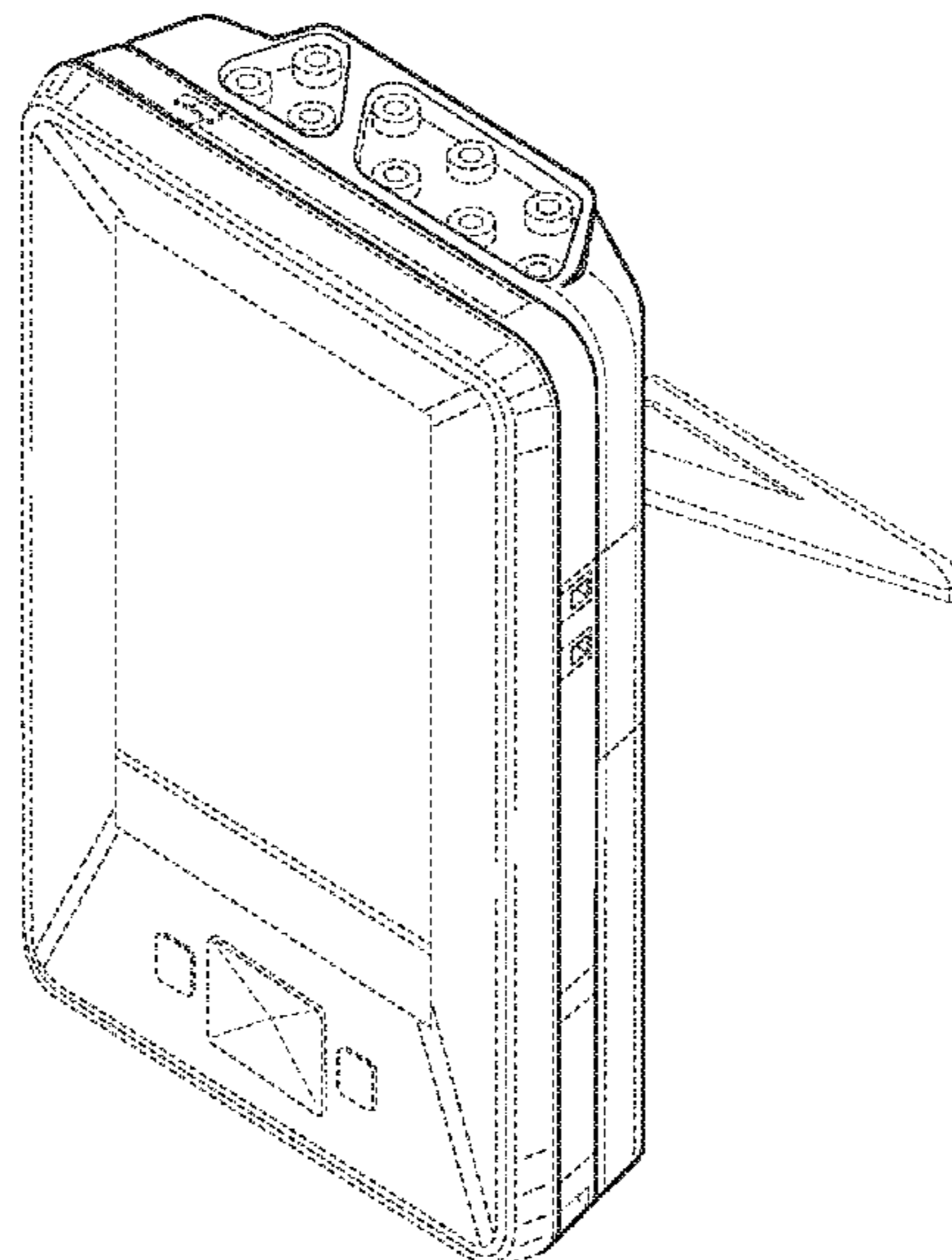
FIG. 6 is a top view of the handheld maintenance tool shown in FIG. 1; and,

FIG. 7 is a bottom view of the handheld maintenance tool shown in FIG. 1.

The broken lines in the drawings illustrate portions of the handheld maintenance tool that form no part of the claimed design.

(58) **Field of Classification Search**  
USPC ..... D10/46, 75, 76, 77, 78, 86, 84, 85  
CPC ..... G05B 19/0428; G05B 19/409;  
G05B 19/048; G05B 19/4093; G05B  
2219/36159; G05B 2219/23406; G05B  
2219/25428; G05B 2219/24054; G05B  
2219/23244; G05B 2219/24056; G05B  
2219/24058; G05B 2219/24084  
See application file for complete search history.

**1 Claim, 7 Drawing Sheets**



(56)

**References Cited**

U.S. PATENT DOCUMENTS

D804,339 S	12/2017	Protti	
D818,857 S	5/2018	Dewey et al.	
2018/0024538 A1*	1/2018	Benson .....	G05B 19/4186 340/539.11
2018/0025304 A1*	1/2018	Fisher .....	G05B 19/042 726/4
2018/0026809 A1*	1/2018	Benson .....	H04L 12/40039 370/311

\* cited by examiner

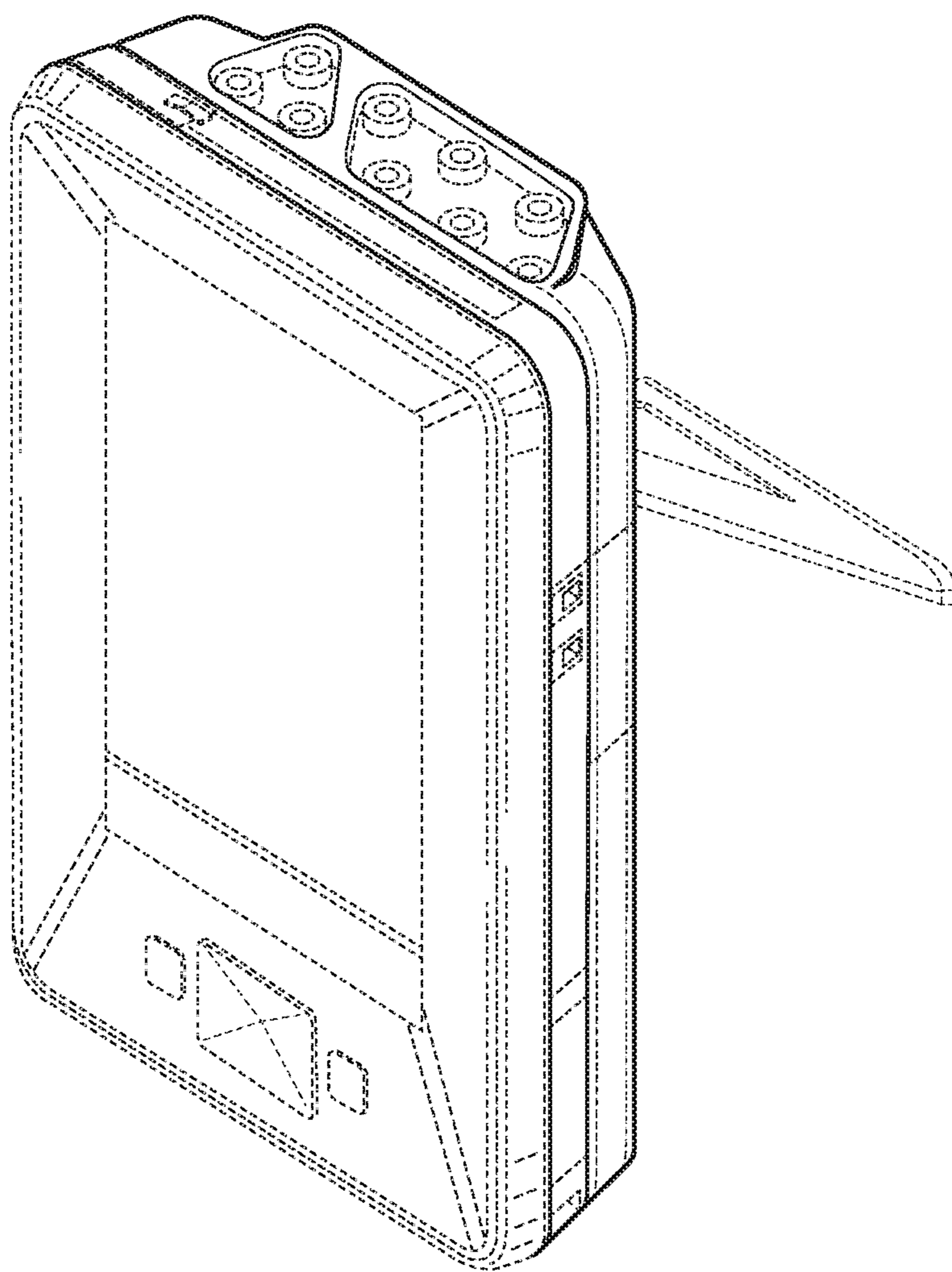


FIG. 1

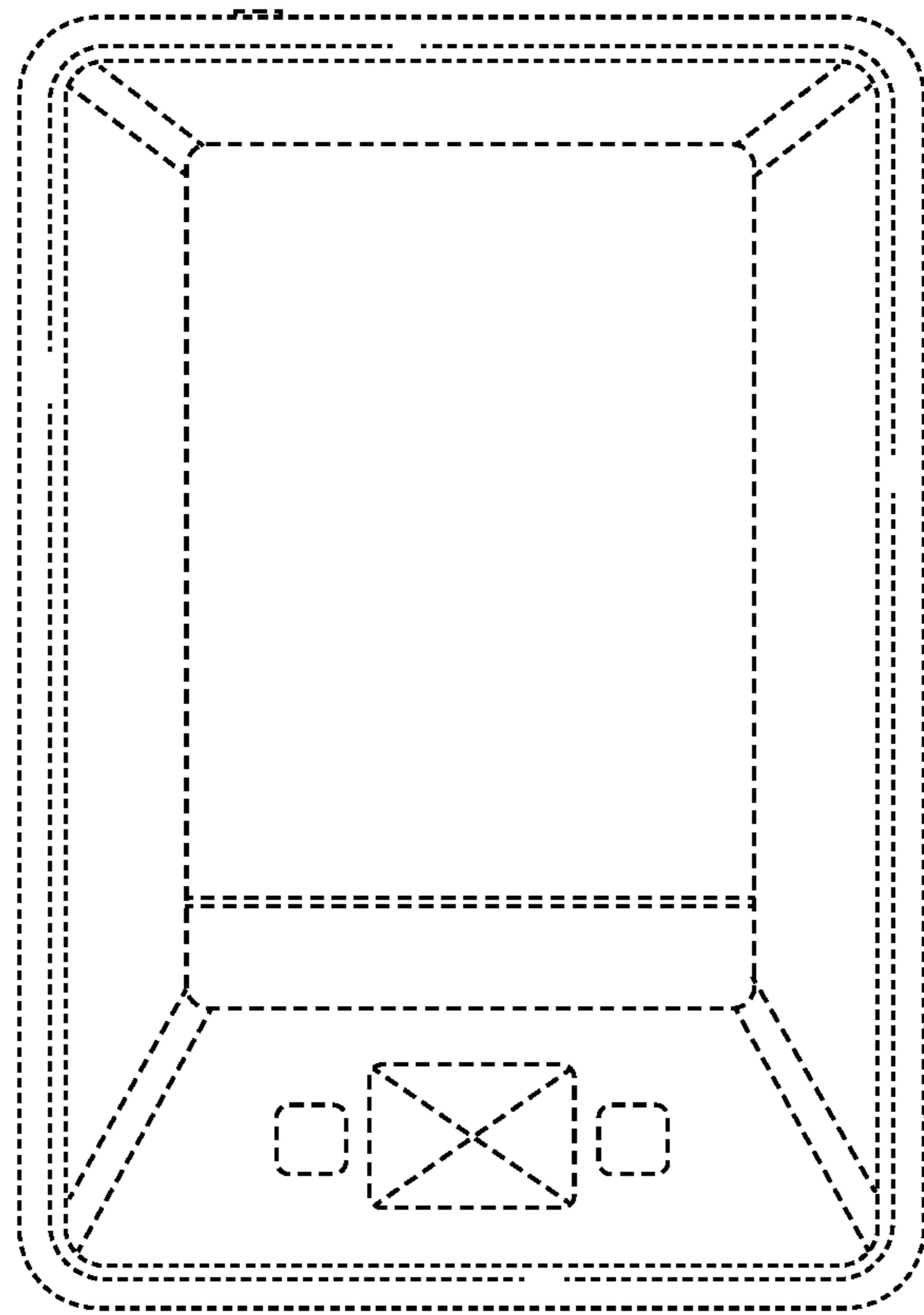


FIG. 2

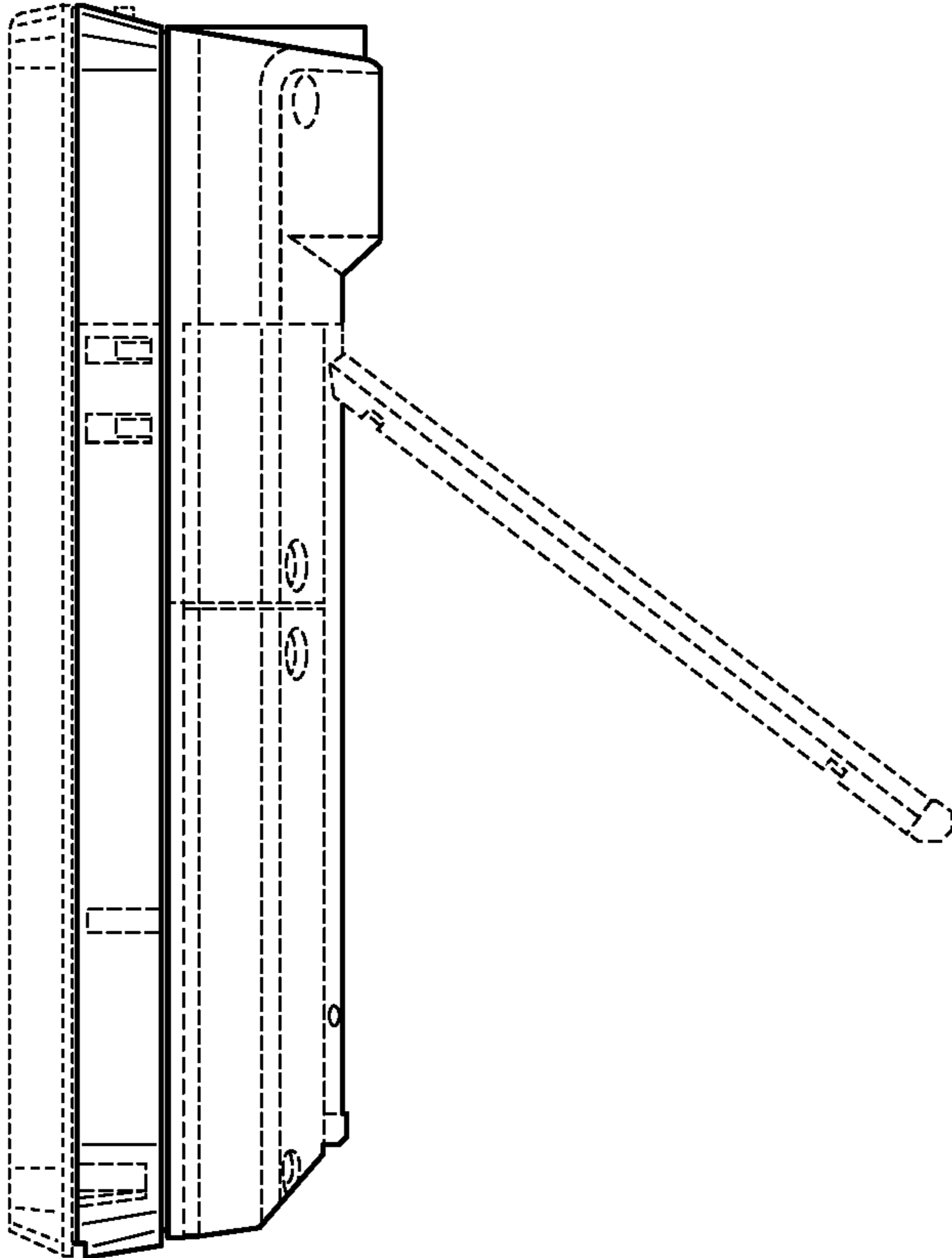


FIG. 3

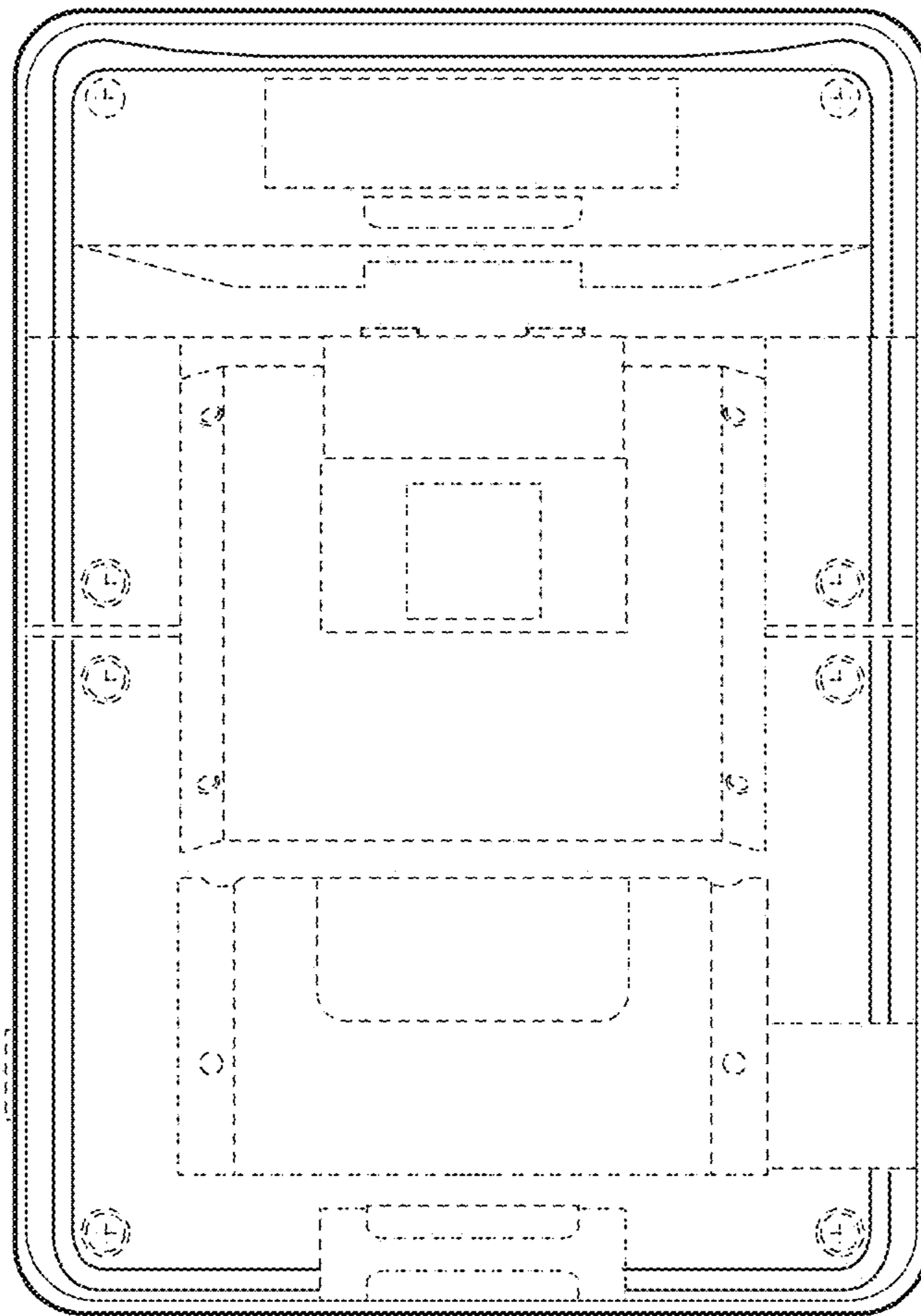


FIG. 4

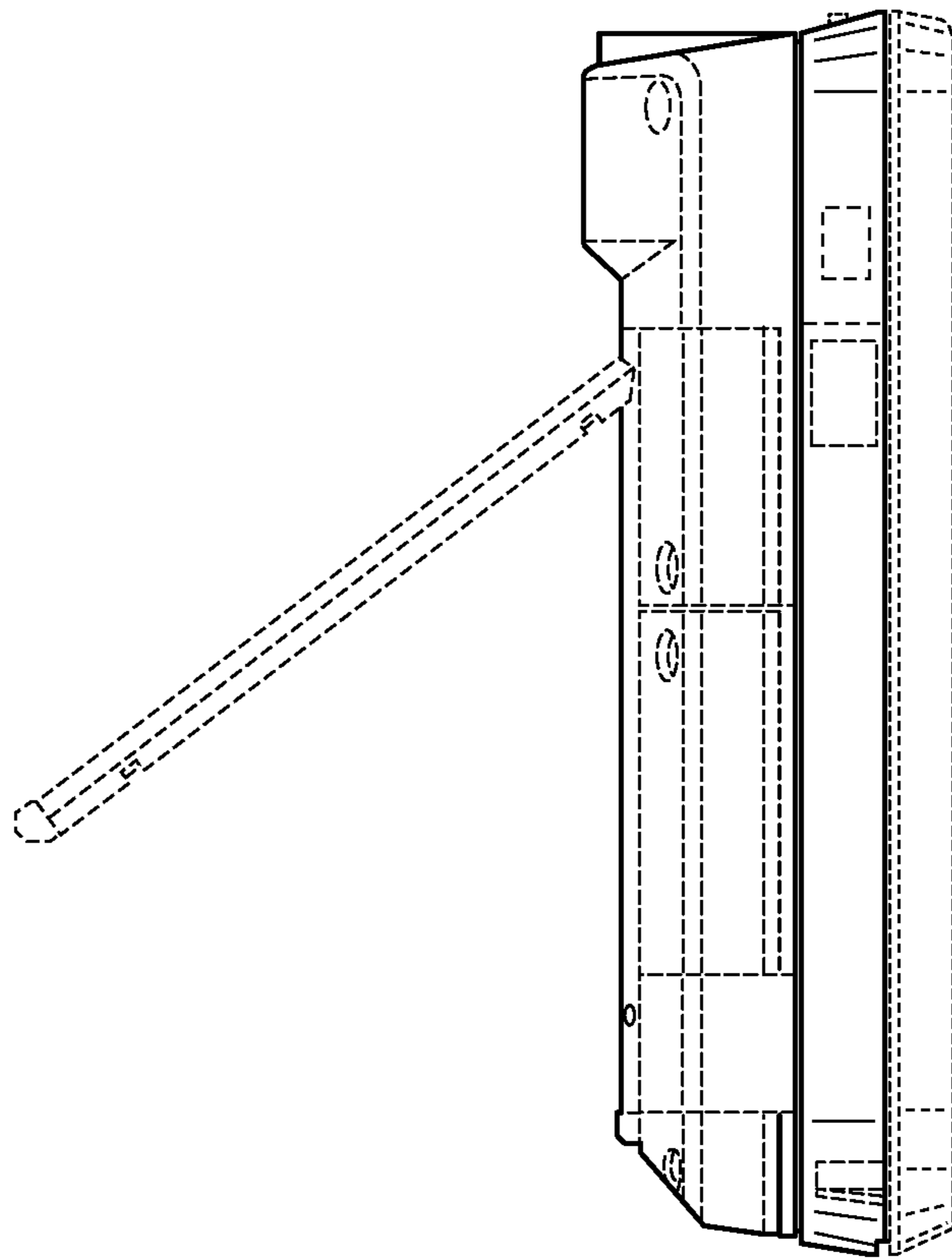


FIG. 5

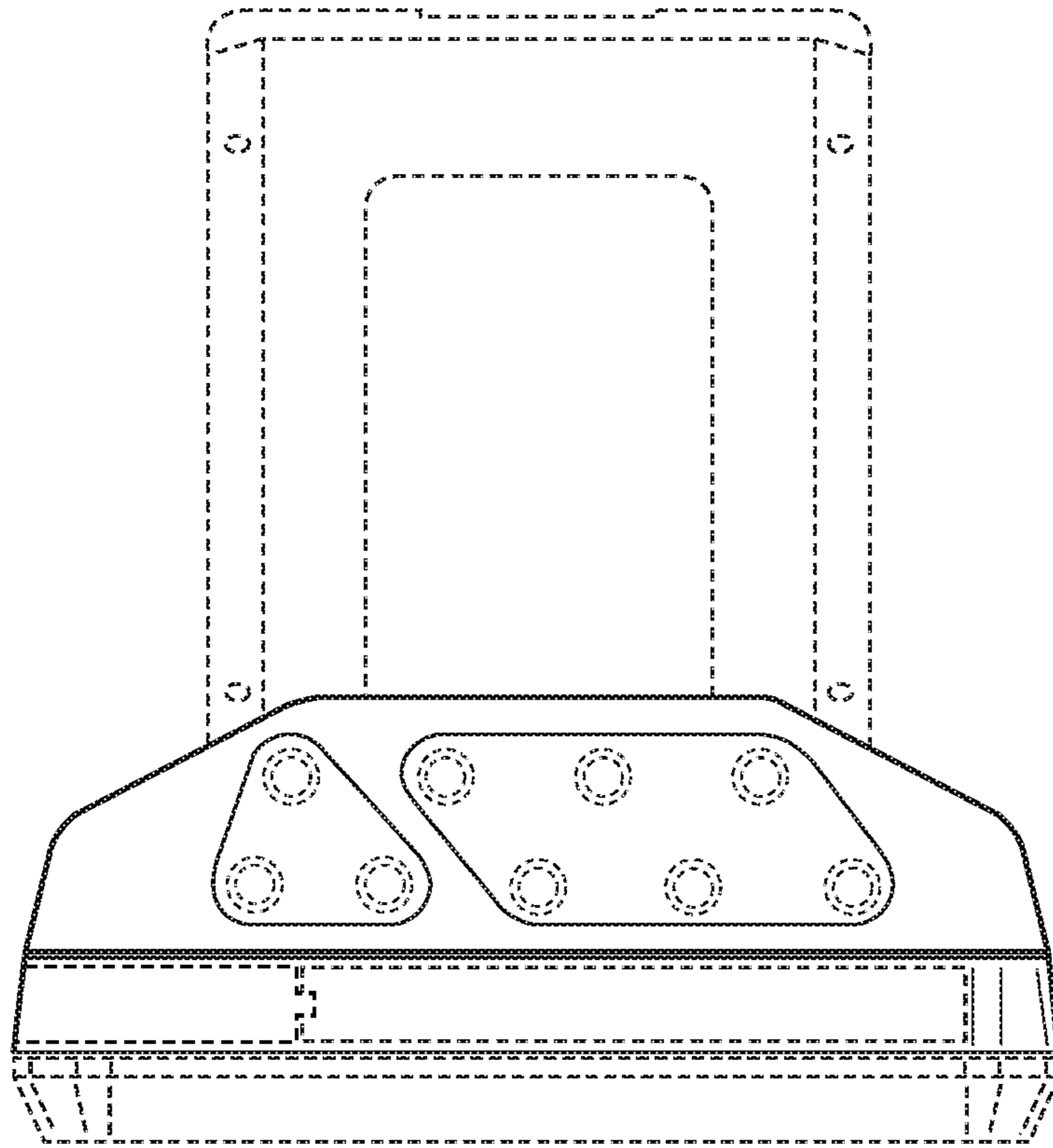


FIG. 6



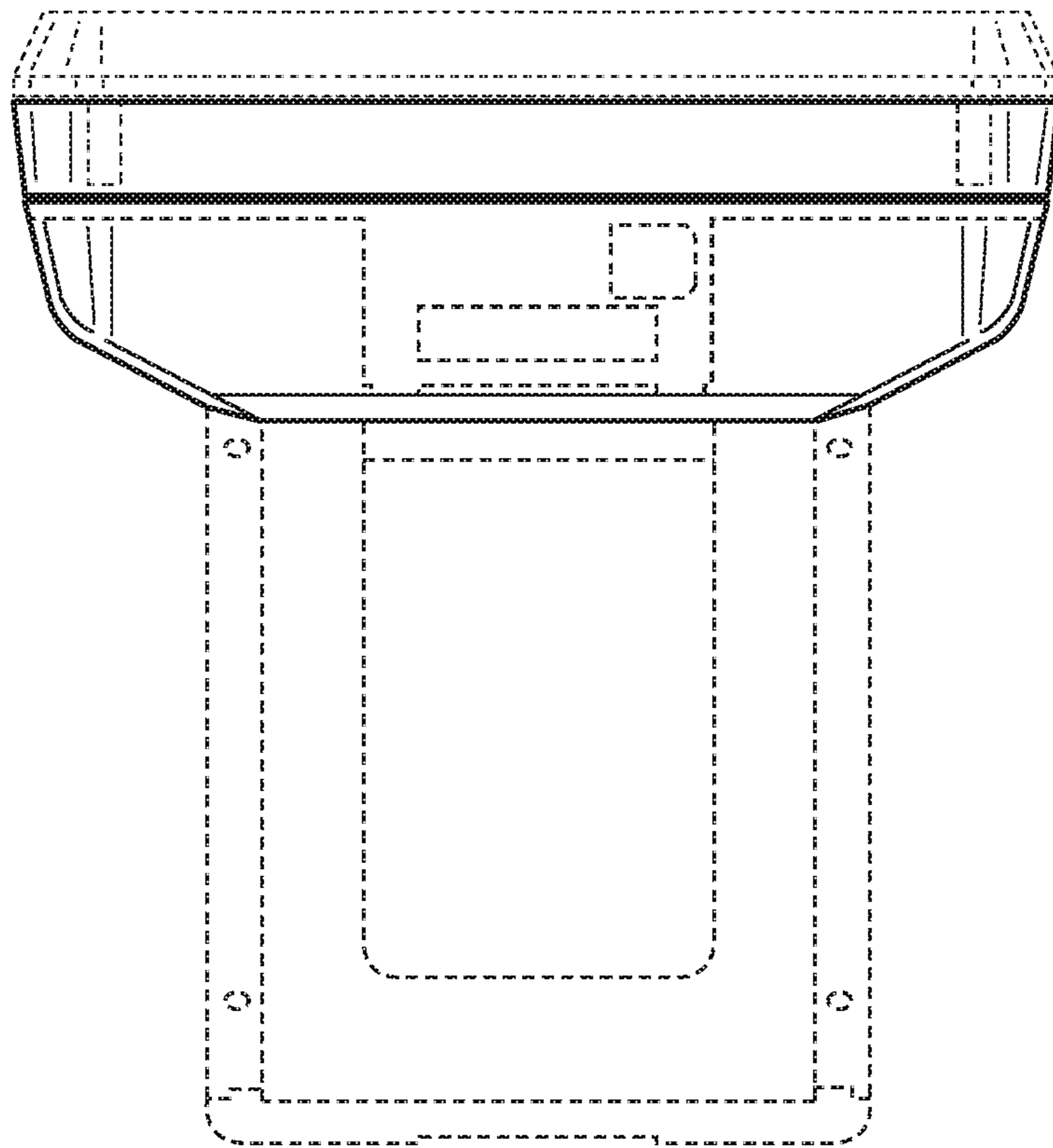


FIG. 7