



US00D885213S

(12) **United States Design Patent**
Dreyer et al.

(10) **Patent No.:** **US D885,213 S**

(45) **Date of Patent:** **** May 26, 2020**

(54) **SENSOR HOUSING**

(71) Applicant: **ASSA ABLOY ENTRANCE SYSTEMS AB**, Landskrona (SE)

(72) Inventors: **Roger Dreyer**, Bjärred (SE); **Philipp Triet**, Bad Ragaz (CH); **Sven-Gunnar Söderqvist**, Vallåkra (SE); **Mathias Walter**, Malmö (SE)

(73) Assignee: **ASSA ABLOY ENTRANCE SYSTEMS AB**, Landskrona (SE)

(**) Term: **15 Years**

(21) Appl. No.: **29/669,124**

(22) Filed: **Nov. 6, 2018**

(30) **Foreign Application Priority Data**

May 9, 2018 (EM) 005262912

(51) **LOC (12) Cl.** **10-04**

(52) **U.S. Cl.**
USPC **D10/70; D10/106.6**

(58) **Field of Classification Search**
USPC D10/70, 106.6
CPC G01V 8/20; G08B 13/1645; G08B 13/16; G08B 13/1609; G08B 13/1627; G08B 13/1618; G08B 13/1636; G08B 13/1654; G08B 13/1663; G08B 13/1672; G08B 13/1681; G08B 13/16169; G08B 13/181; G08B 13/183; G08B 13/184; G08B 13/186; G08B 13/187; G08B 13/189; G08B 13/1895; G08B 13/19; G08B 13/191; G08B 13/193; G08B 17/12; G08B 13/194; G08B 13/196; G08B 13/19602; G08B 13/19604; G08B 13/19606; G08B 13/19608; G08B 13/1961; G08B 13/19613; G08B 13/19615; G08B 13/19617; G08B 13/19619; G08B 13/19621; G08B 13/19623; G08B 13/19626; G08B

13/19628; G08B 13/1963; G08B 13/19632; G08B 13/19634; G08B 13/19636; G08B 13/19639; G08B 13/19641; G08B 13/19643; G08B
(Continued)

(56) **References Cited**

U.S. PATENT DOCUMENTS

D680,460 S * 4/2013 Corso D10/106.6
D796,975 S * 9/2017 Jou D10/70
(Continued)

Primary Examiner — Antoine Duval Davis

(74) *Attorney, Agent, or Firm* — Wissing Miller LLP

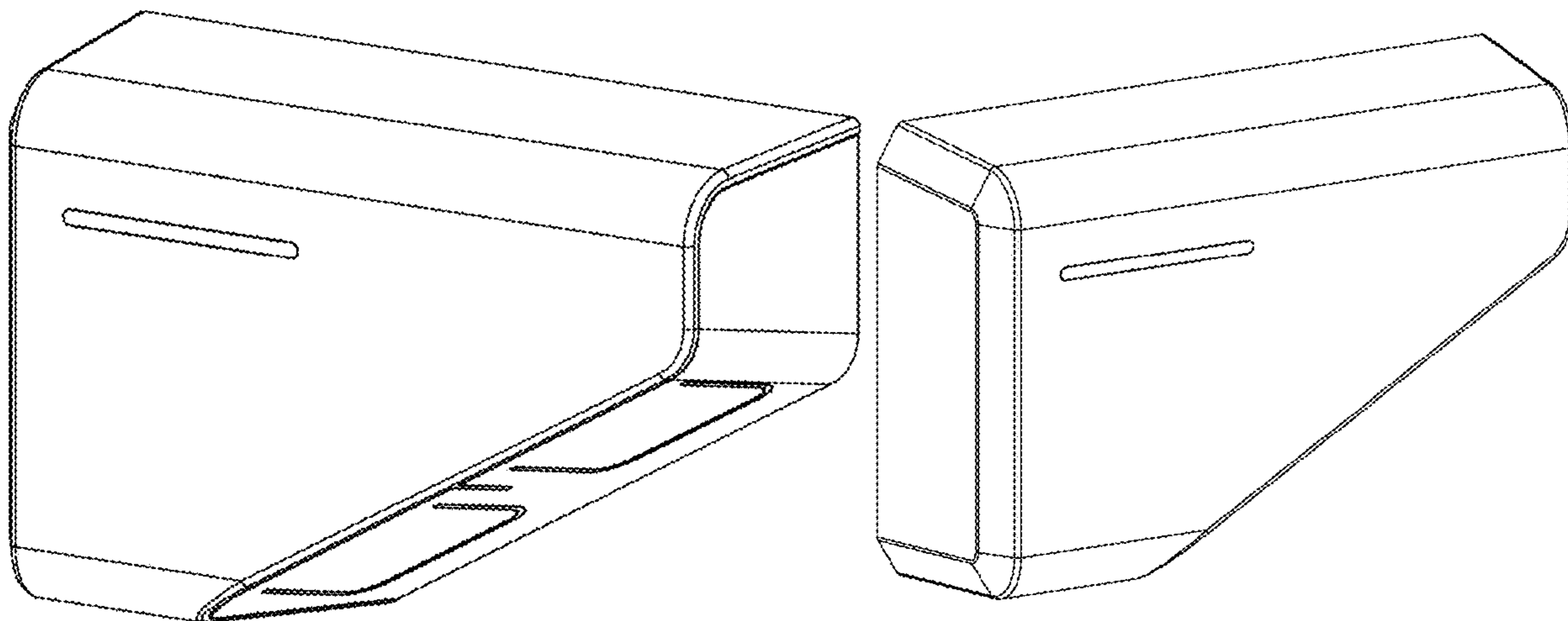
(57) **CLAIM**

The ornamental design for a sensor housing, as shown and described.

DESCRIPTION

FIG. 1 is a front right perspective view of the new design for a sensor housing in accordance with the present invention; FIG. 2 is a front left perspective view of the sensor housing shown in FIG. 1; FIG. 3 is a bottom rear perspective view of the sensor housing shown in FIG. 1; FIG. 4 is a rear view of the sensor housing shown in FIG. 1; FIG. 5 is a bottom right perspective view of the sensor housing shown in FIG. 1; FIG. 6 is a right side view of the sensor housing shown in FIG. 1; FIG. 7 is a bottom view of the sensor housing shown in FIG. 1; FIG. 8 is a left side view of the sensor housing shown in FIG. 1; FIG. 9 is a top view of the sensor housing shown in FIG. 1; and, FIG. 10 is a front view of the sensor housing shown in FIG. 1.

1 Claim, 10 Drawing Sheets



(58) **Field of Classification Search**

CPC ... 13/19645; G08B 13/19647; G08B 13/1965;
G08B 13/19654; G08B 13/19656; G08B
13/1966; G08B 13/19663; G08B
13/19665; G08B 13/19667; G08B
13/19669; G08B 13/19671; G08B
13/19673; G08B 13/19676; G08B
13/19678; G08B 13/1968; G08B
13/19682; G08B 13/19684; G08B
13/19686; G08B 13/19689; G08B
13/19691; G08B 13/19693; G08B
13/19695; G08B 13/19697; G08B 25/00;
G08B 25/001; G08B 25/002; G08B
25/003; G08B 25/004; G08B 25/005;
G08B 25/006; G08B 25/007; G08B
25/008; G08B 25/009; G08B 25/01;
G08B 25/012; G08B 25/014; G08B
25/016; G08B 25/018; G08B 25/04;
G08B 25/045; G08B 25/06; G08B 25/08;
G08B 25/085; G08B 25/10; G08B 25/12;
G08B 27/00; G08B 27/001; G08B

27/003; G08B 27/005; G08B 27/006;
G08B 27/008; H03K 17/941; H03K
2017/9455; H03K 17/9505; H03K
17/9622; H03K 17/9627; H05B 37/0227;
G06T 7/004; G06T 7/0042; G06T 7/044;
G06T 7/0046; G06T 7/2093; G06T 7/20;
H04N 5/76; H04N 5/7605; H04N 5/765;
H04N 5/77; H04N 5/772; H04N 5/775;
H04N 5/7755; H04N 7/18; H04N 7/181;
H04N 7/183; H04N 7/185; H04N 7/186;
H04N 7/188; H04N 21/4223; H04N
5/225

See application file for complete search history.

(56)

References Cited

U.S. PATENT DOCUMENTS

D860,027 S * 9/2019 Siminoff D10/106.6
D864,006 S * 10/2019 Siminoff D10/106.6

* cited by examiner

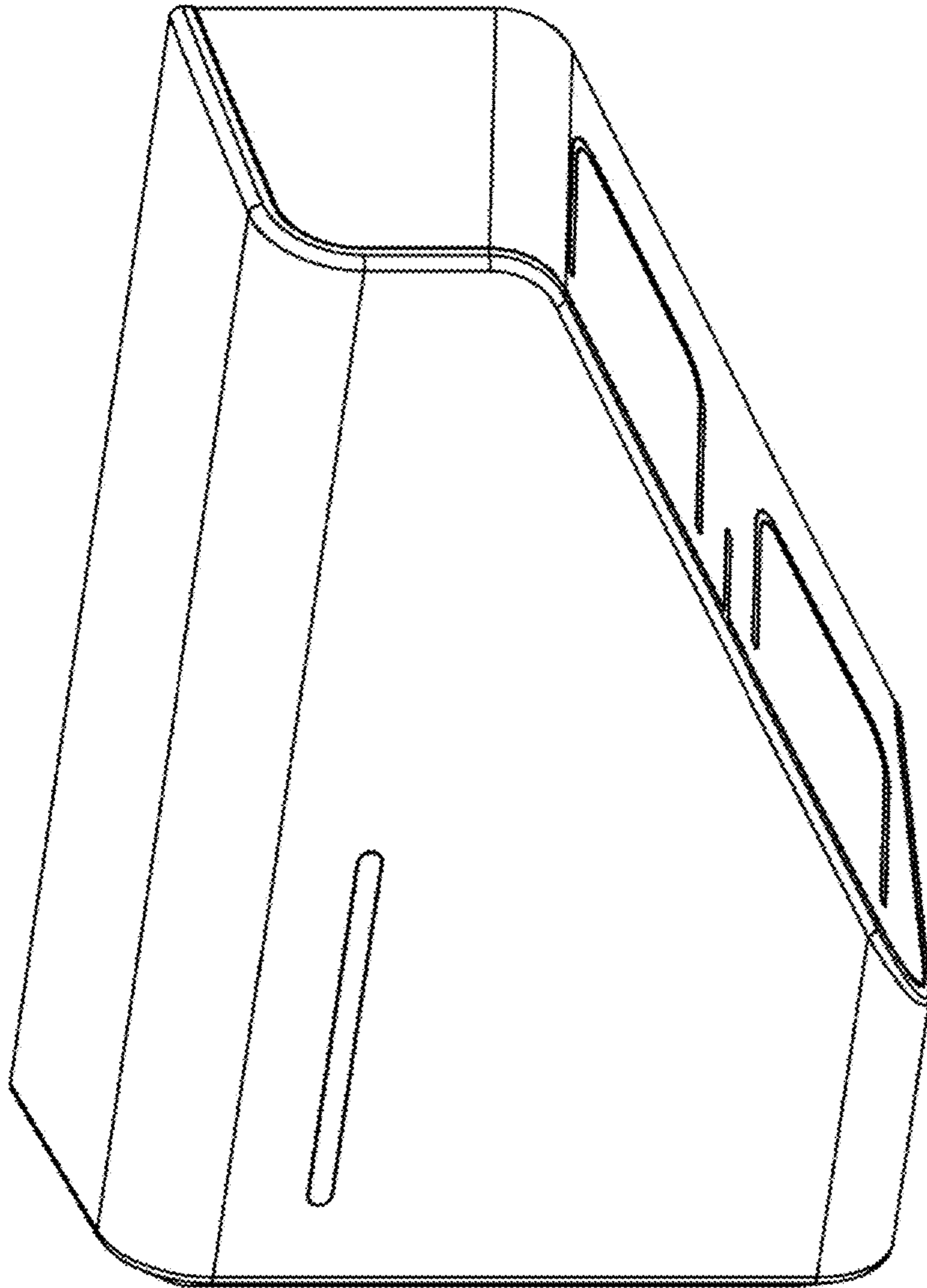


Fig. 1

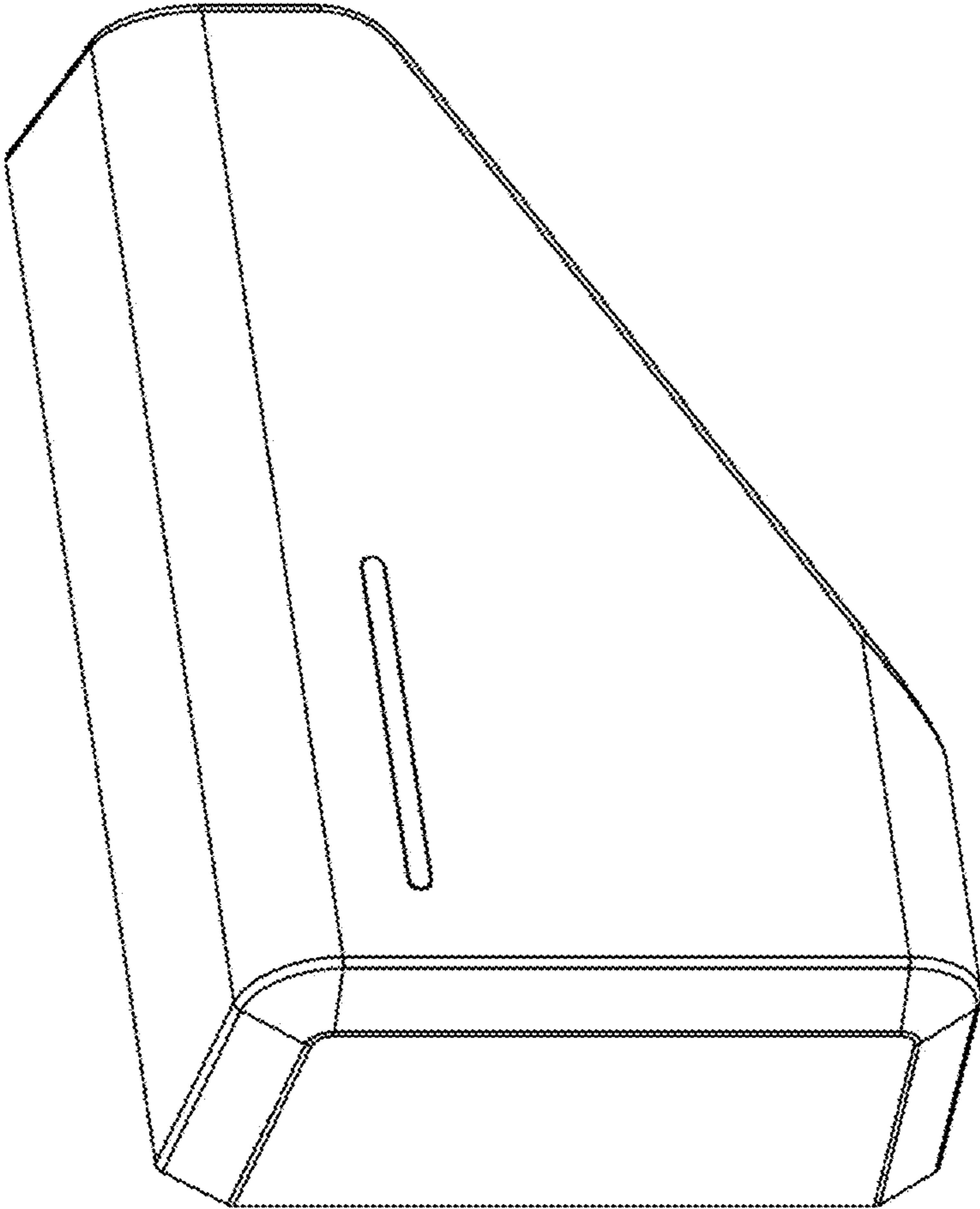


Fig. 2

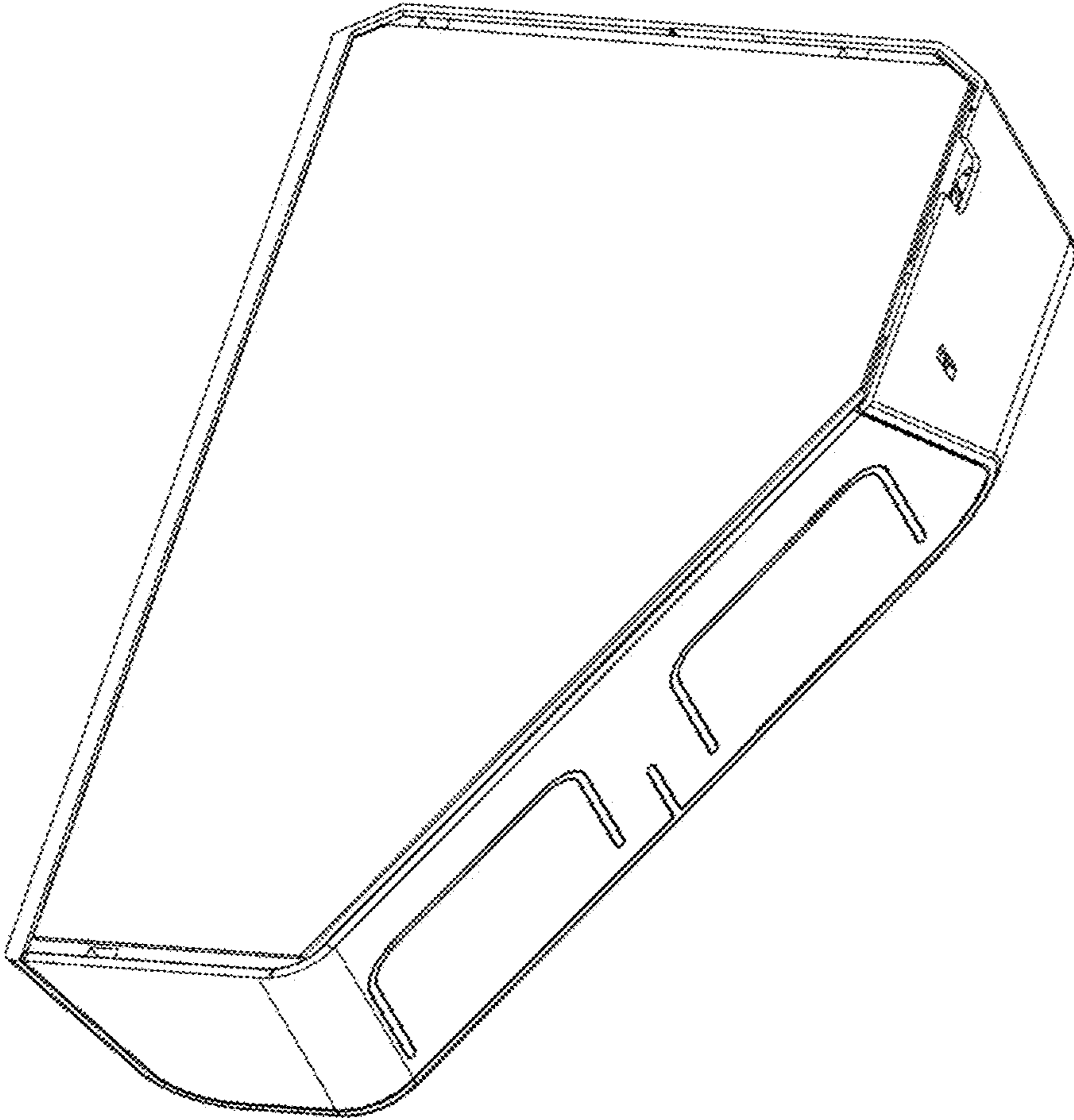


Fig. 3

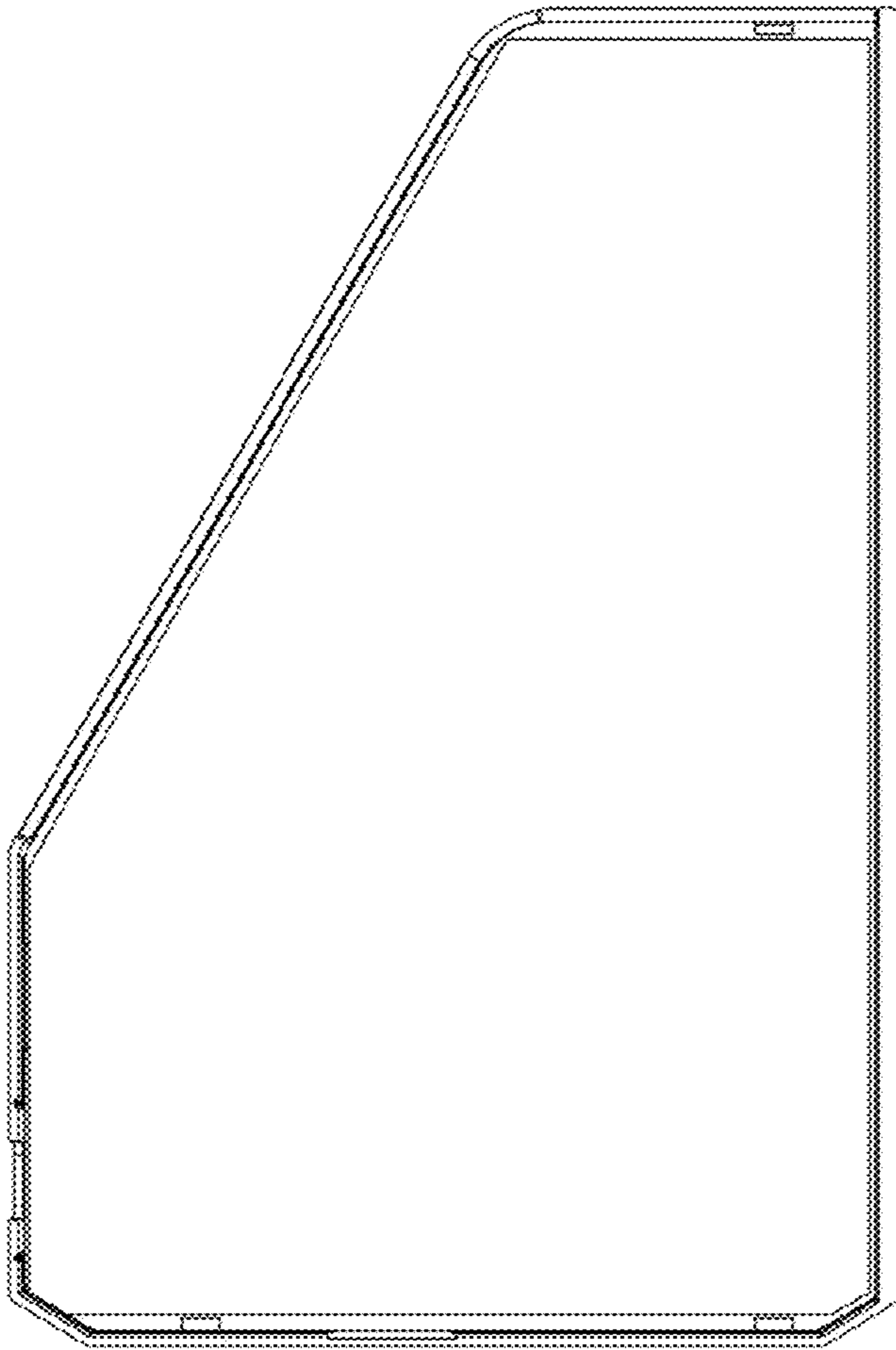


Fig. 4

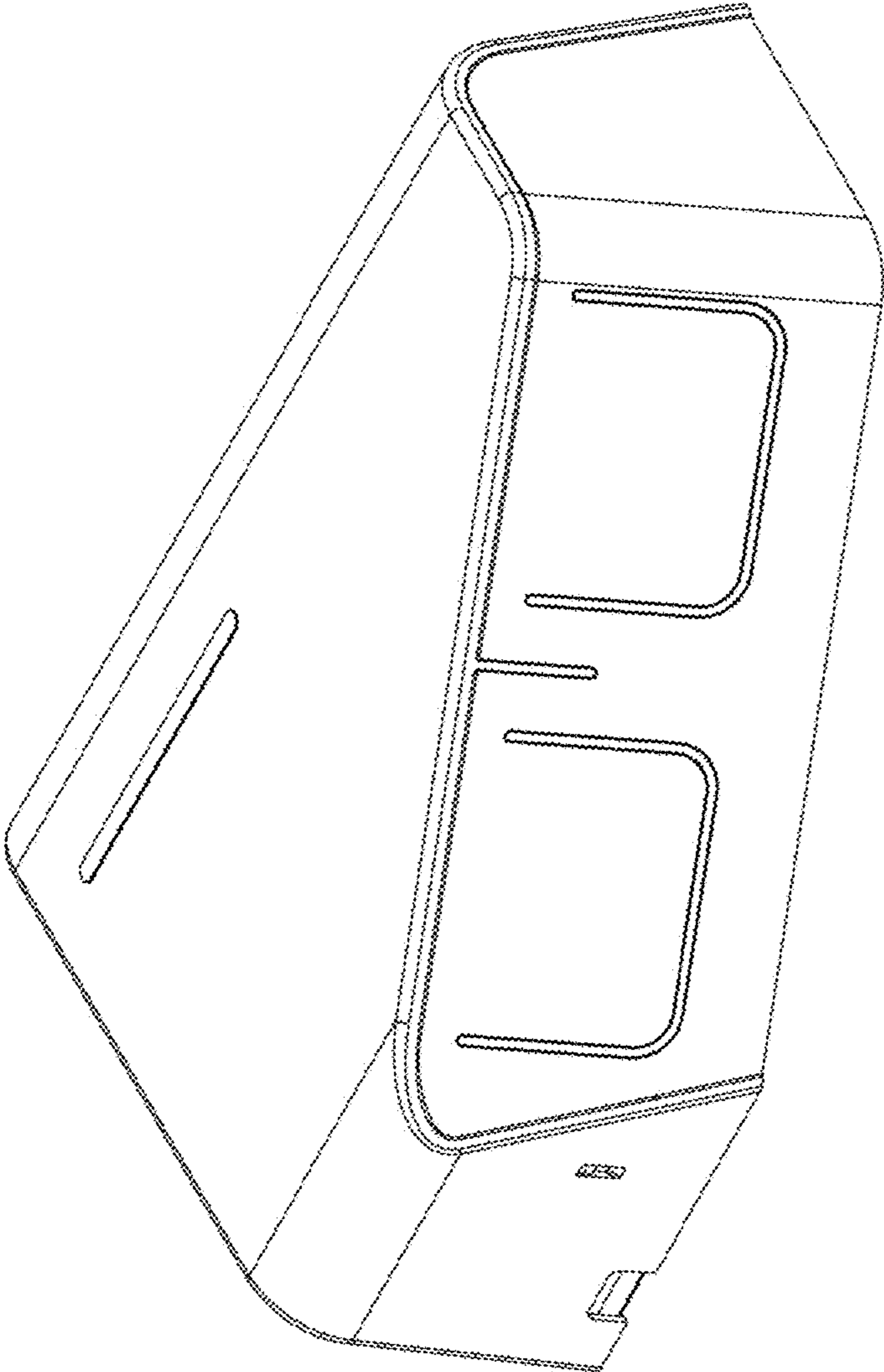


Fig. 5

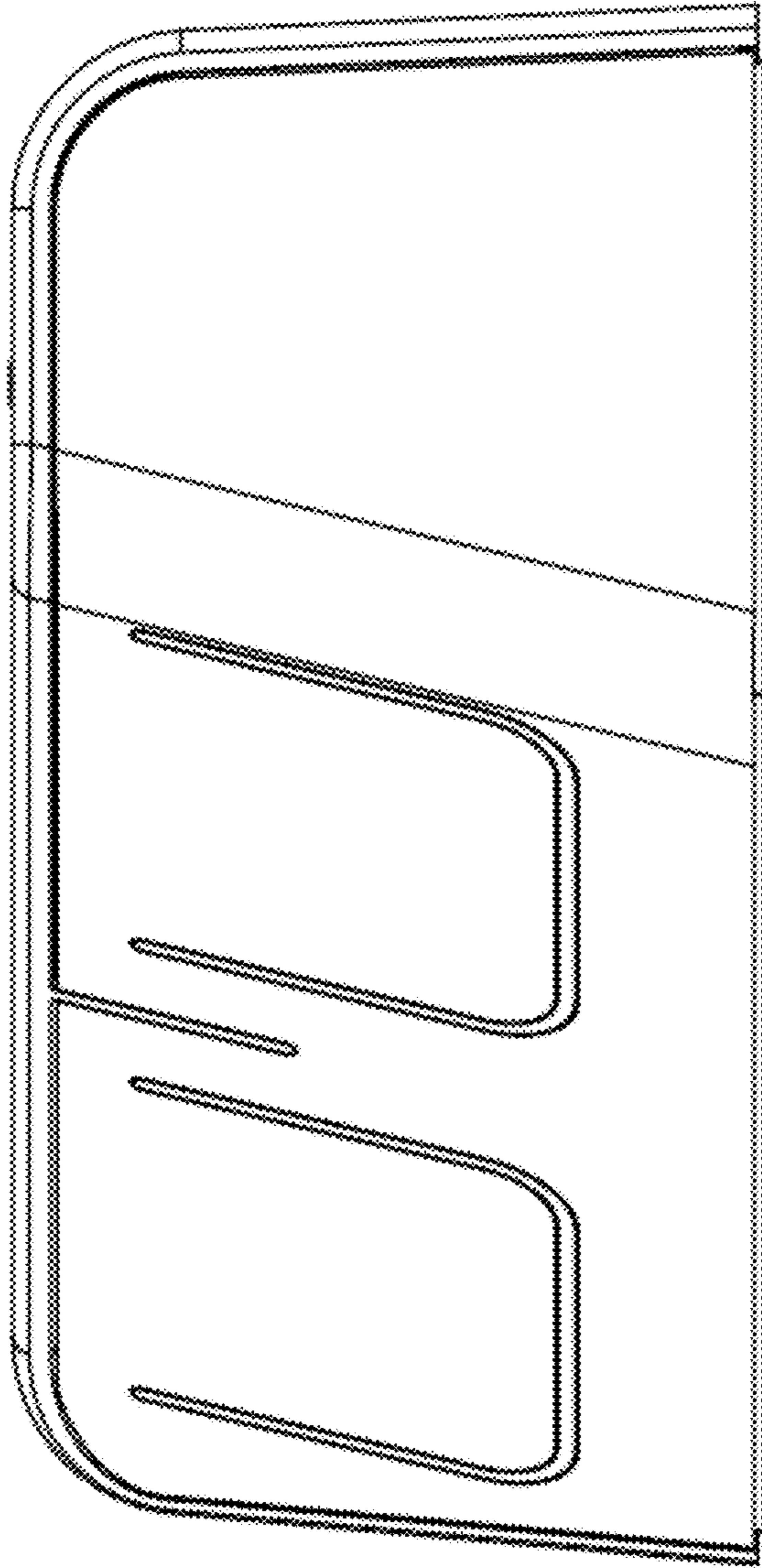


Fig. 6

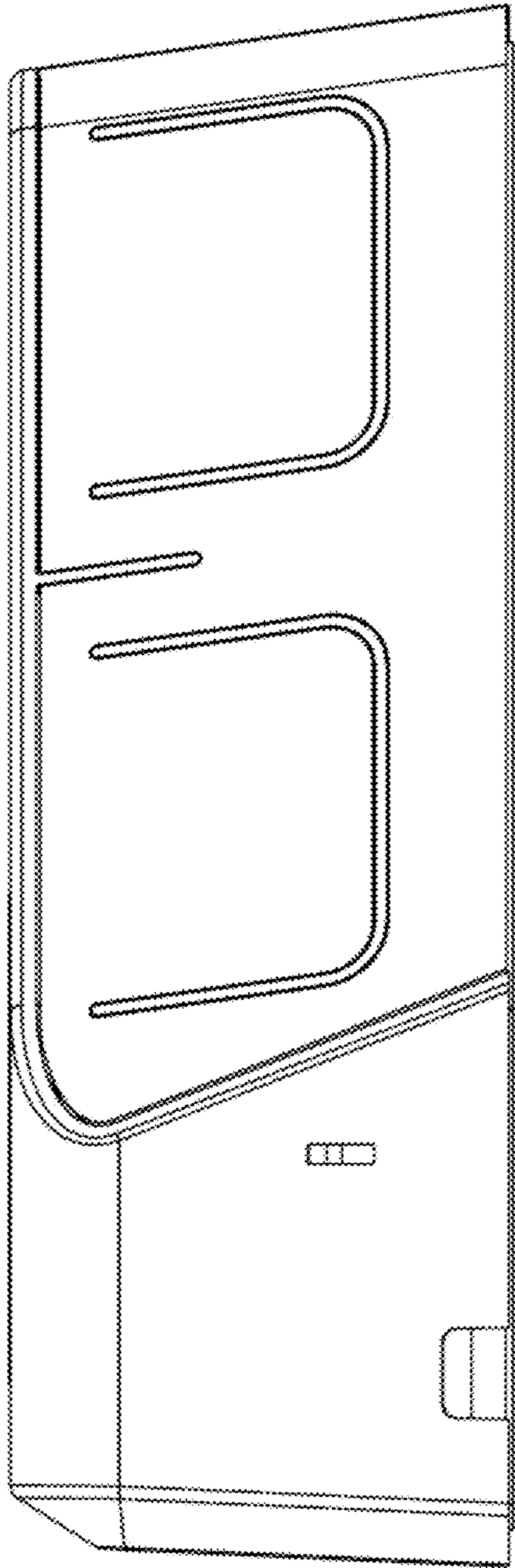


Fig. 7

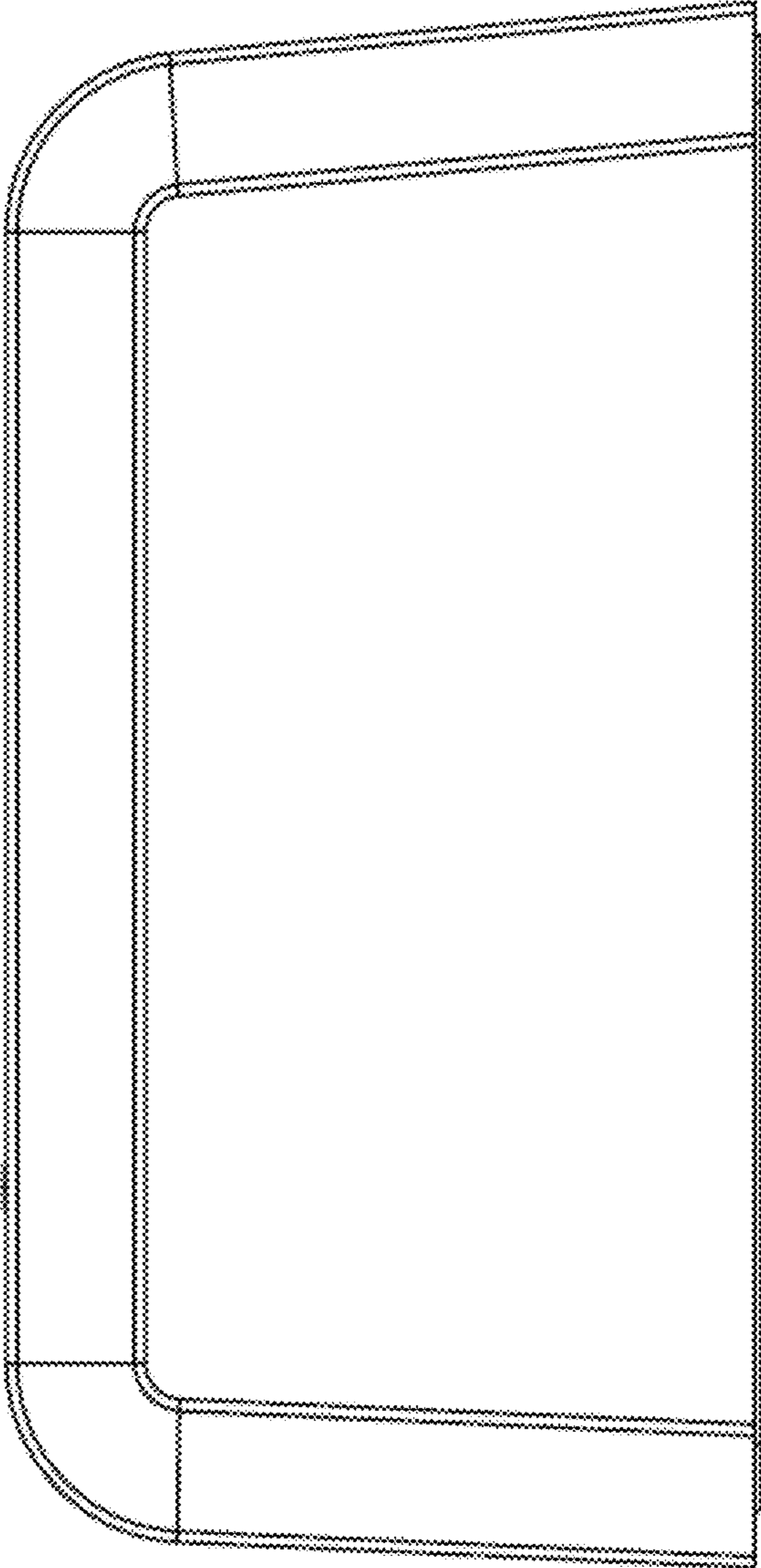


Fig. 8

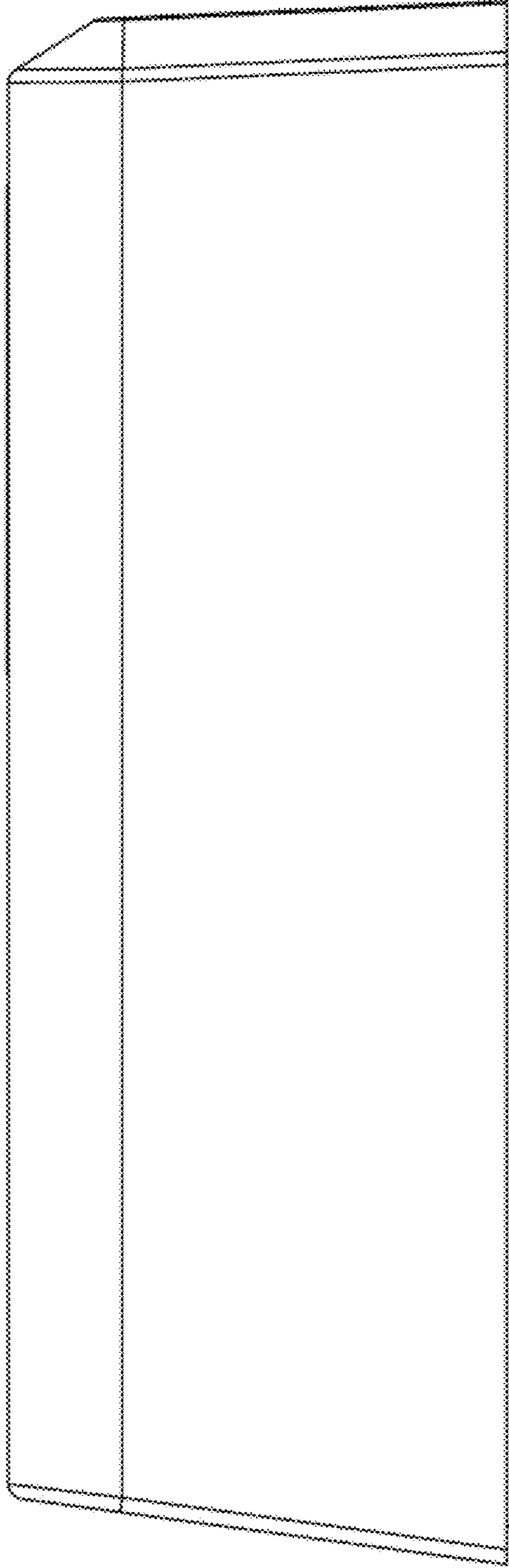


Fig. 9

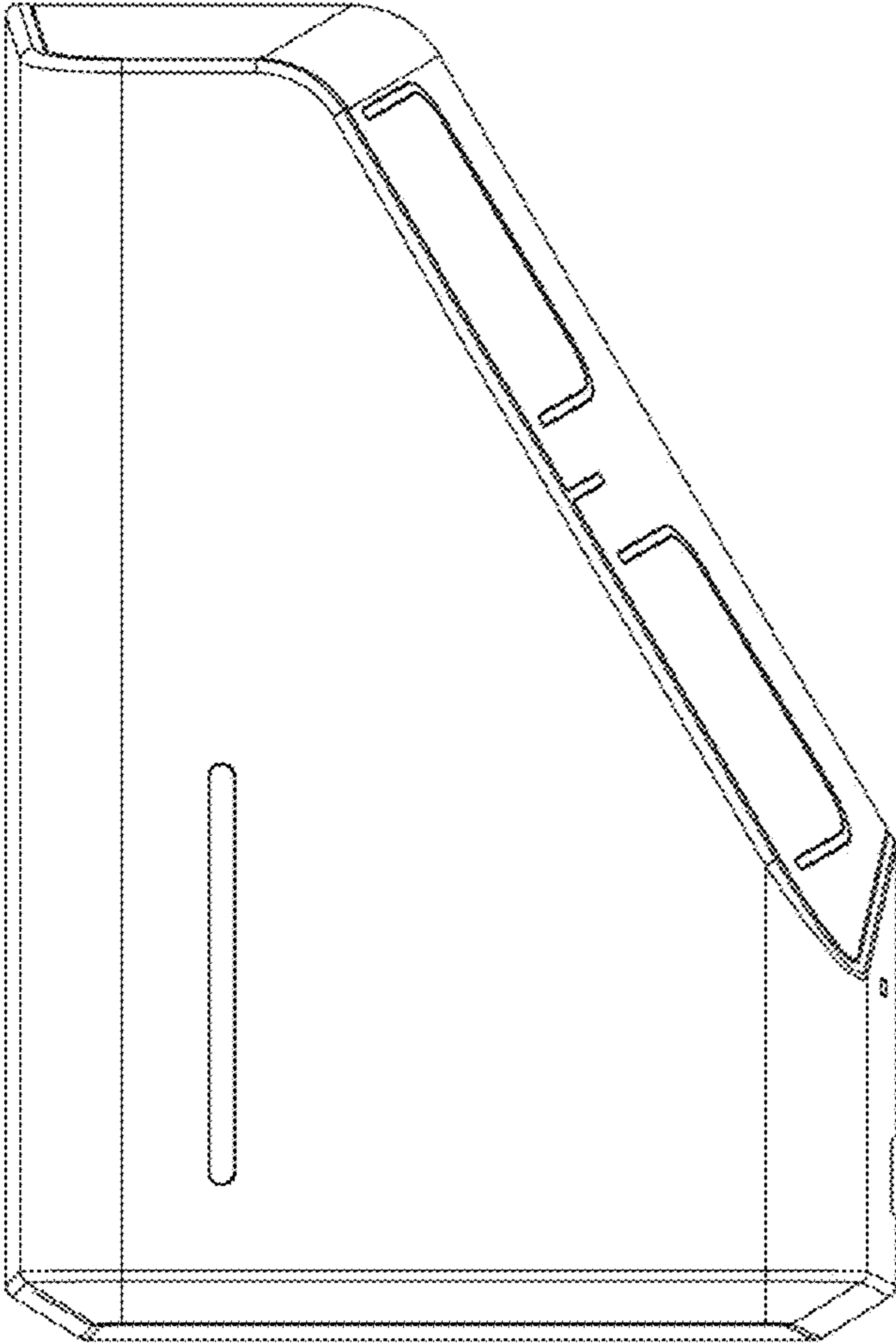


Fig. 10