



US00D885211S

(12) **United States Design Patent** (10) **Patent No.:** **US D885,211 S**
Mackey et al. (45) **Date of Patent:** **** May 26, 2020**

- (54) **FRAMING SQUARE**
- (71) Applicant: **Milwaukee Electric Tool Corporation**,
Brookfield, WI (US)
- (72) Inventors: **Eric Mackey**, Milwaukee, WI (US);
David W. Draeger, Milwaukee, WI
(US); **Kenan W. McCutcheon**,
Waukesha, WI (US)
- (73) Assignee: **Milwaukee Electric Tool Corporation**,
Brookfield, WI (US)
- (**) Term: **15 Years**
- (21) Appl. No.: **29/706,164**
- (22) Filed: **Sep. 18, 2019**

Related U.S. Application Data

- (62) Division of application No. 29/645,697, filed on Apr.
27, 2018, now Pat. No. Des. 866,362.
- (51) **LOC (12) Cl.** **10-04**
- (52) **U.S. Cl.**
USPC **D10/65; D10/71**
- (58) **Field of Classification Search**
USPC **D10/65, 71**

(Continued)

(56) **References Cited**

U.S. PATENT DOCUMENTS

- 1,882,354 A 10/1932 Celenza
- 3,137,072 A 6/1964 Henson

(Continued)

FOREIGN PATENT DOCUMENTS

- CN 2663089 12/2004
- CN 100369759 2/2008

(Continued)

Primary Examiner — Antoine Duval Davis
(74) *Attorney, Agent, or Firm* — Reinhart Boerner Van
Deuren s.c.

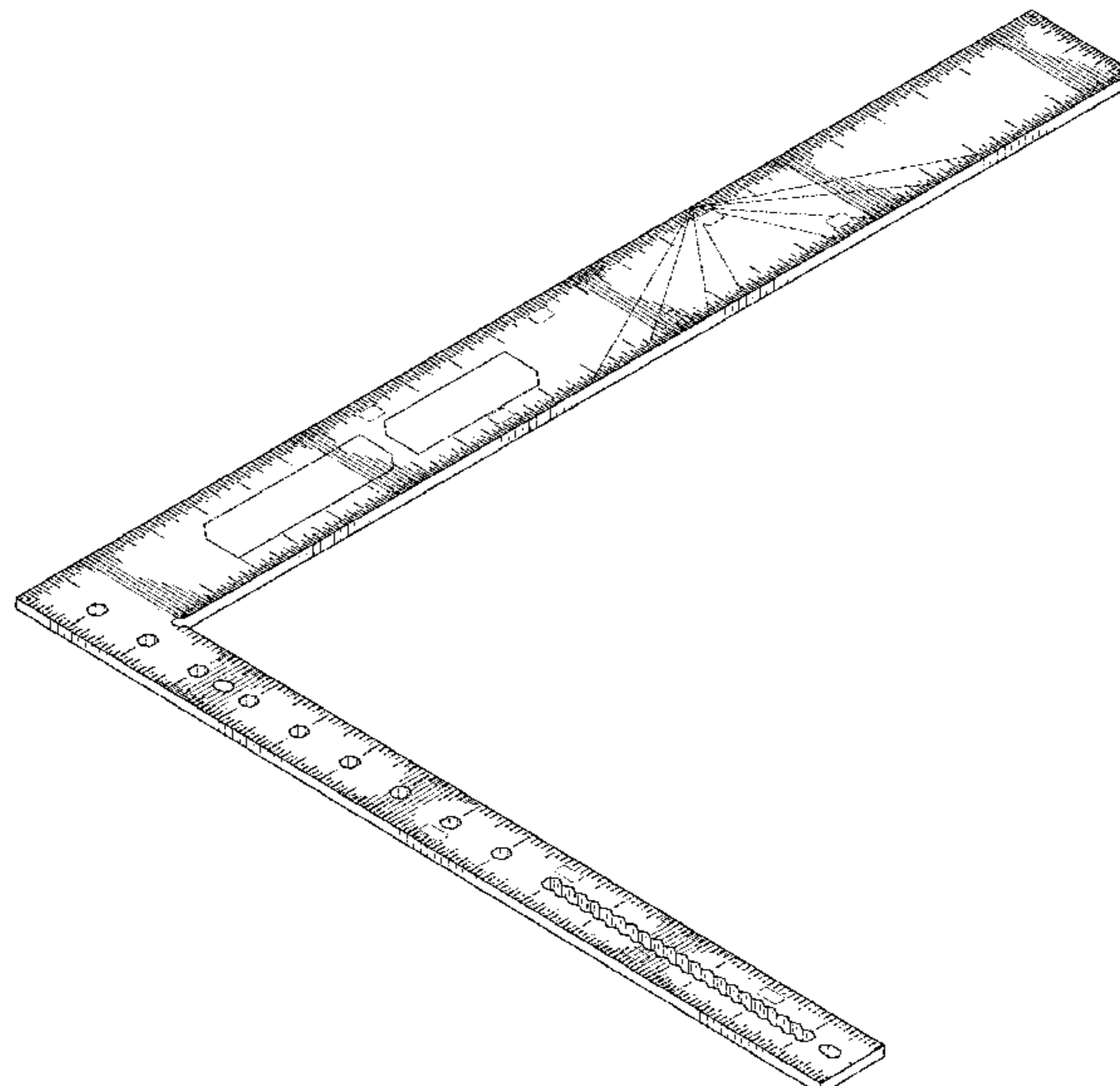
(57) **CLAIM**

We claim the ornamental design for a framing square, as
shown and described.

DESCRIPTION

FIG. 1 is a perspective view from above of an embodiment
of the claimed design;
FIG. 2 is a top view of the claimed design of FIG. 1;
FIG. 3 is a bottom view of the claimed design of FIG. 1;
FIG. 4 is a left side view of the claimed design of FIG. 1;
FIG. 5 is a right side view of the claimed design of FIG. 1;
FIG. 6 is a rear view of the claimed design of FIG. 1;
FIG. 7 is a front view of the claimed design of FIG. 1;
FIG. 8 is a perspective view from above of another embodi-
ment of the claimed design;
FIG. 9 is a top view of the claimed design of FIG. 8;
FIG. 10 is a bottom view of the claimed design of FIG. 8;
FIG. 11 is a left side view of the claimed design of FIG. 8;
FIG. 12 is a right side view of the claimed design of FIG. 8;
FIG. 13 is a rear view of the claimed design of FIG. 8;
FIG. 14 is a front view of the claimed design of FIG. 8;
FIG. 15 is a perspective view from above of another
embodiment of the claimed design;
FIG. 16 is a top view of the claimed design of FIG. 15;
FIG. 17 is a bottom view of the claimed design of FIG. 15;
FIG. 18 is a left side view of the claimed design of FIG. 15;
FIG. 19 is a right side view of the claimed design of FIG. 15;
FIG. 20 is a rear view of the claimed design of FIG. 15; and,
FIG. 21 is a front view of the claimed design of FIG. 15.
The ornamental design which is claimed is shown in solid
lines in the drawings: The broken lines in the drawings are
for illustrative purposes only and form no part of the claimed
design.

1 Claim, 15 Drawing Sheets



US D885,211 S

Page 2

- (58) **Field of Classification Search**
CPC B43L 7/027; B43L 7/0275; B43L 7/033
See application file for complete search history.

7,591,076 B2 9/2009 Varnedoe
7,596,877 B2 * 10/2009 Basford G01B 3/566
33/404
D640,944 S * 7/2011 Elias D10/65
8,074,368 B2 12/2011 Atwood
8,763,265 B2 7/2014 Herniman et al.
D741,731 S * 10/2015 Lamanna G01B 3/566
D10/64

- (56) **References Cited**

U.S. PATENT DOCUMENTS

3,142,906 A 8/1964 Mitsos
4,513,510 A 4/1985 Swanson
5,421,093 A 6/1995 Davidson, Jr.
5,535,523 A 7/1996 Endris
5,727,325 A 3/1998 Mussell
5,778,547 A 7/1998 Wolken
6,662,460 B2 12/2003 Evans
6,688,014 B1 2/2004 Allemand
6,792,687 B2 9/2004 Arent et al.
6,820,345 B2 11/2004 Evans
6,868,616 B2 3/2005 Allemand
D511,698 S 11/2005 Allemand
7,337,550 B2 3/2008 Marcus
7,398,601 B2 7/2008 Morrell

9,180,725 B2 11/2015 Lin
9,310,175 B2 4/2016 Cook
2007/0220764 A1 9/2007 Wolken
2012/0266471 A1 10/2012 Chao
2012/0311880 A1 12/2012 Doggett
2013/0227846 A1 9/2013 Buzzell
2014/0373373 A1 12/2014 Hershkovich
2016/0271789 A1 9/2016 Foster

FOREIGN PATENT DOCUMENTS

CN 206106749 4/2017
WO WO07111870 10/2007

* cited by examiner

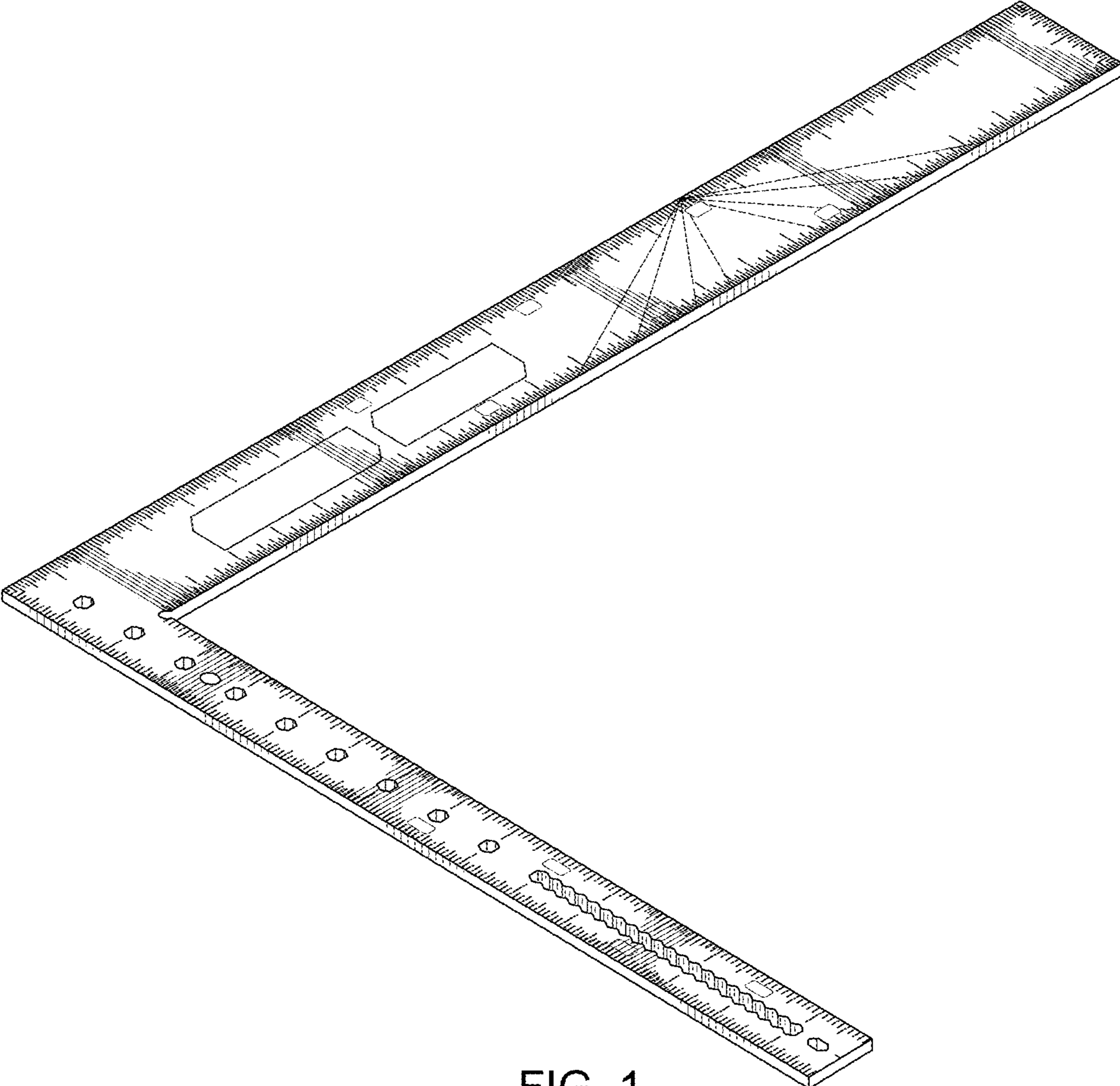


FIG. 1

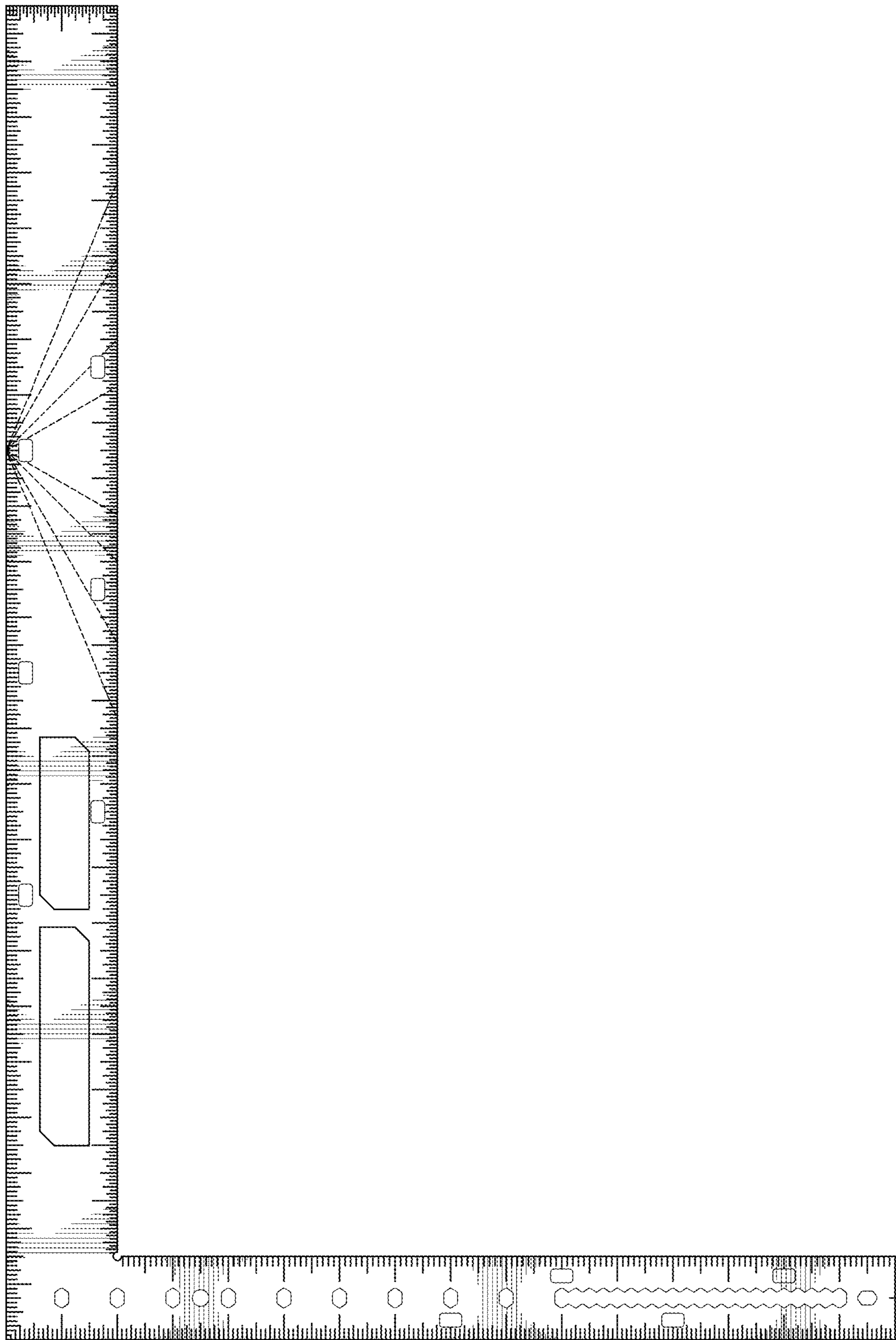


FIG. 2

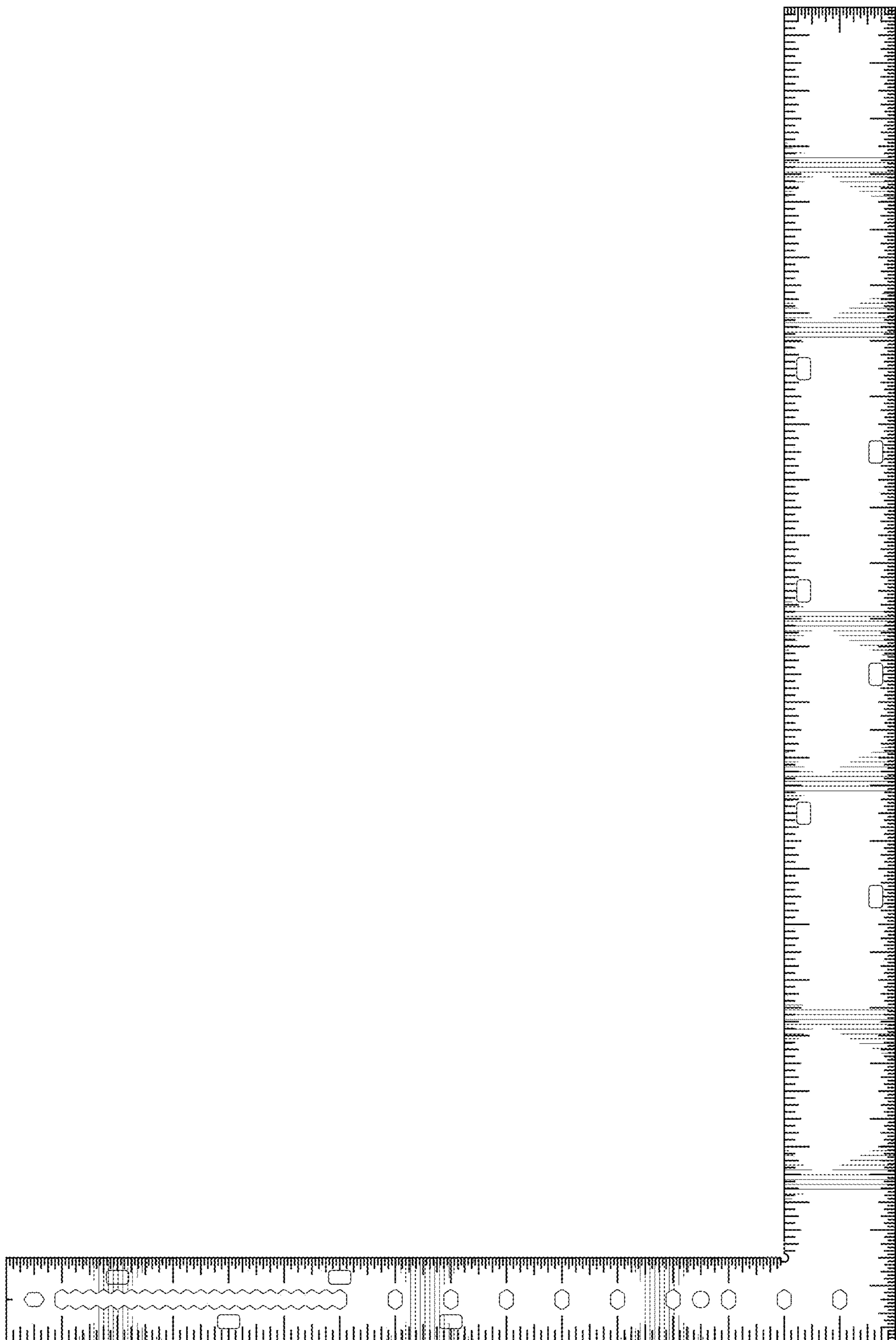


FIG. 3

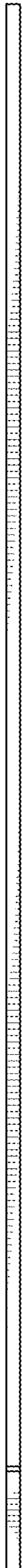


FIG. 4

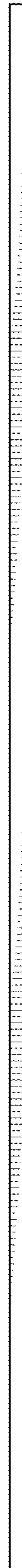


FIG. 5

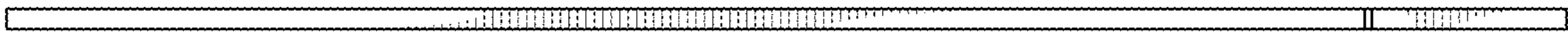


FIG. 6

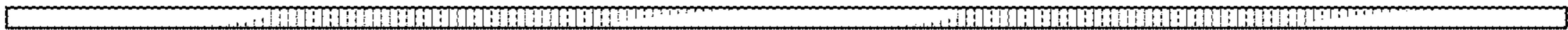


FIG. 7

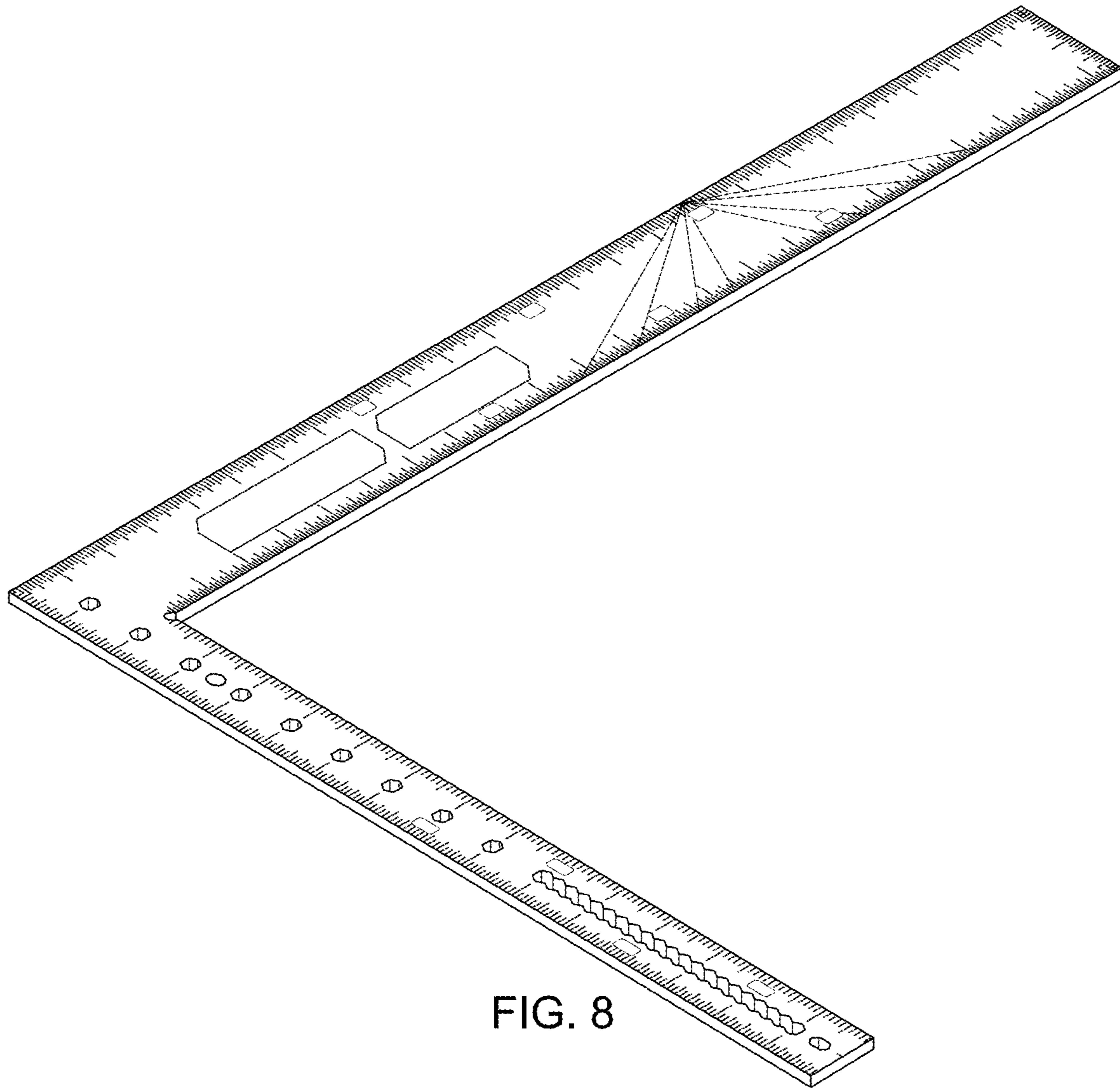


FIG. 8

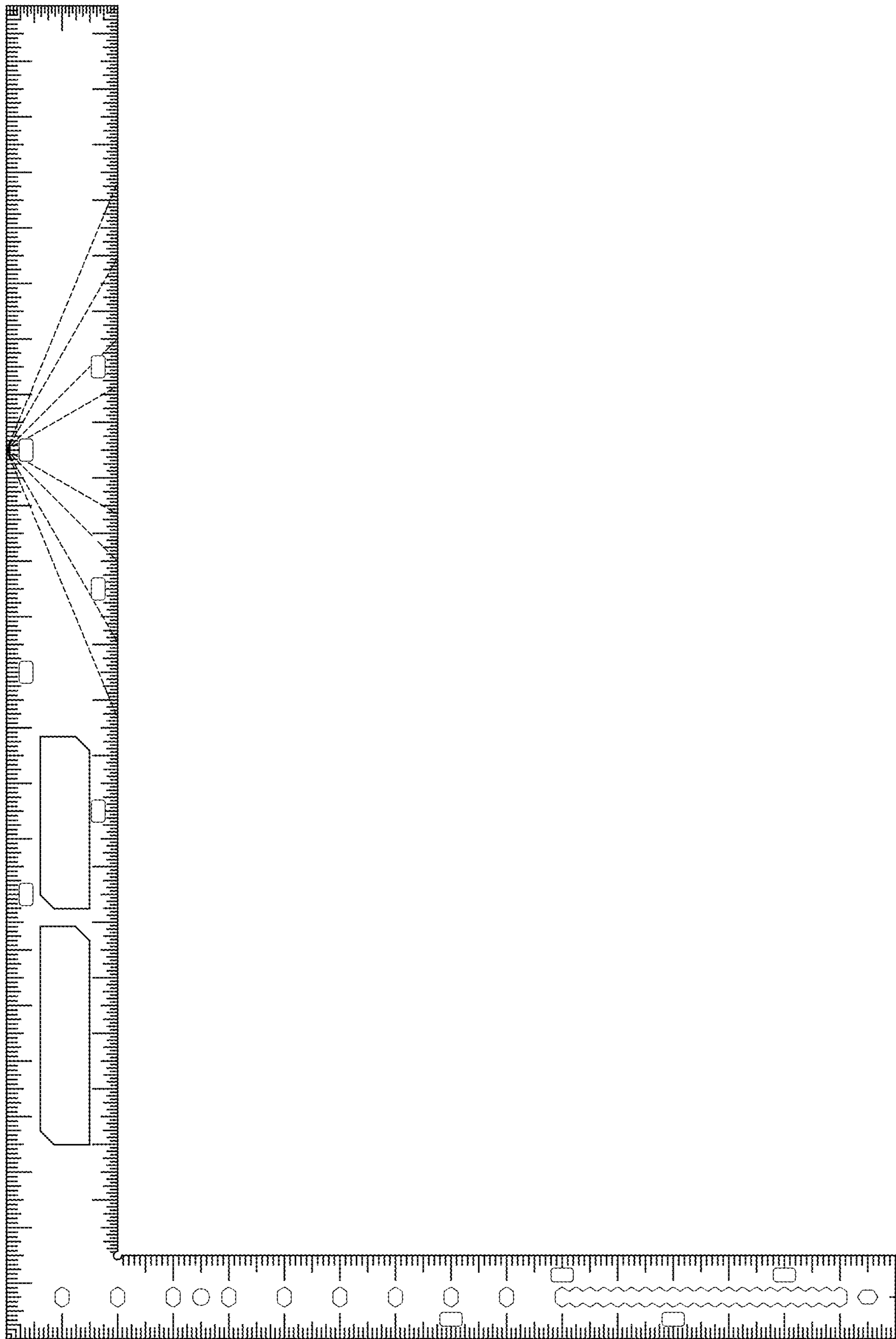


FIG. 9

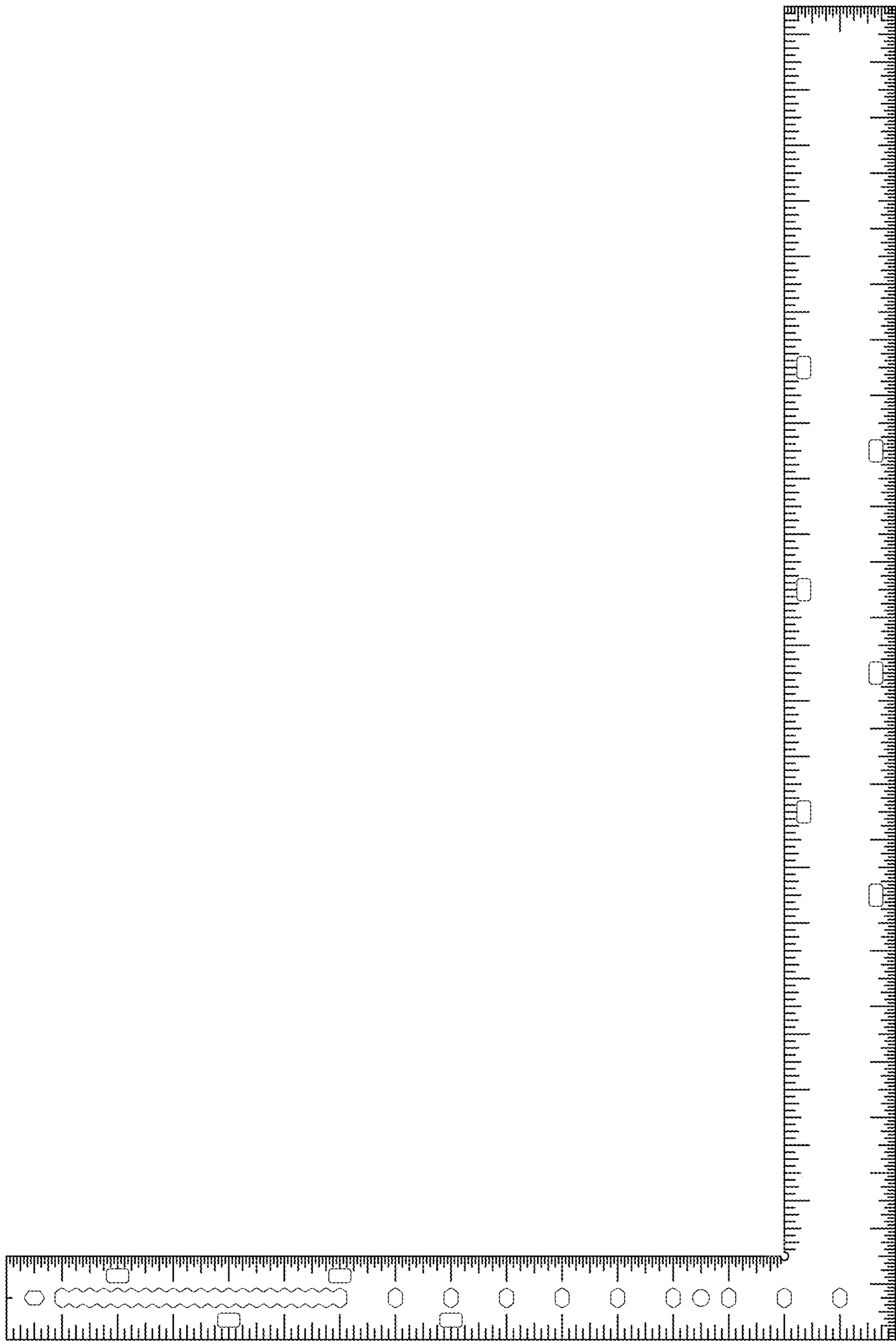


FIG. 10



FIG. 11

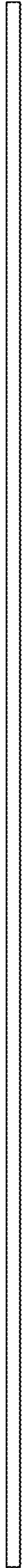


FIG. 12

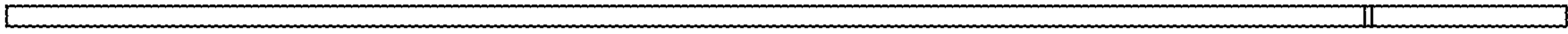


FIG. 13

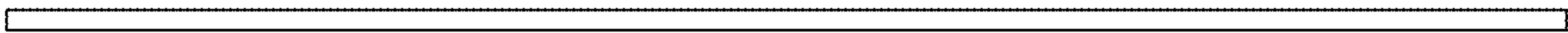


FIG. 14

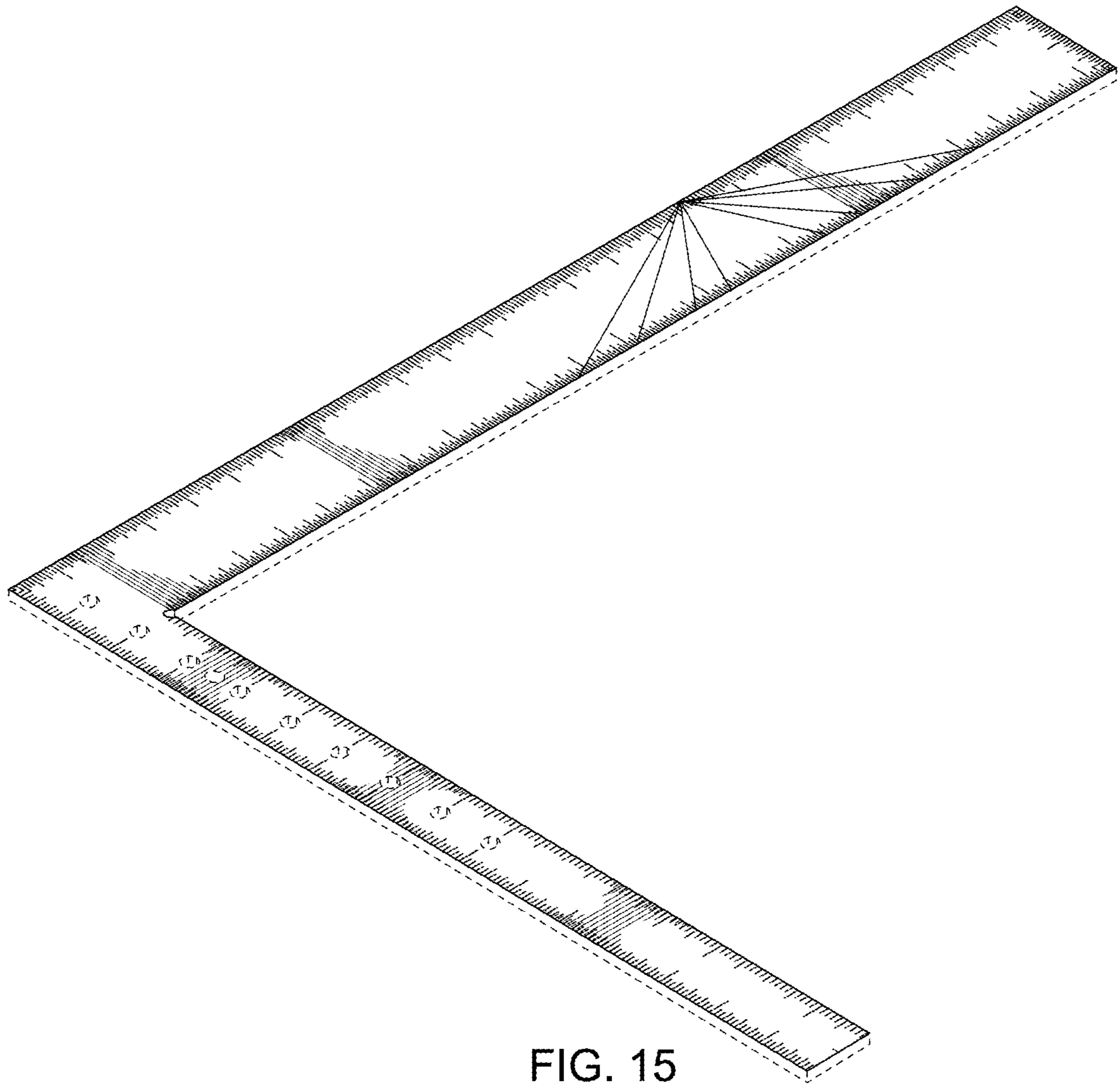


FIG. 15

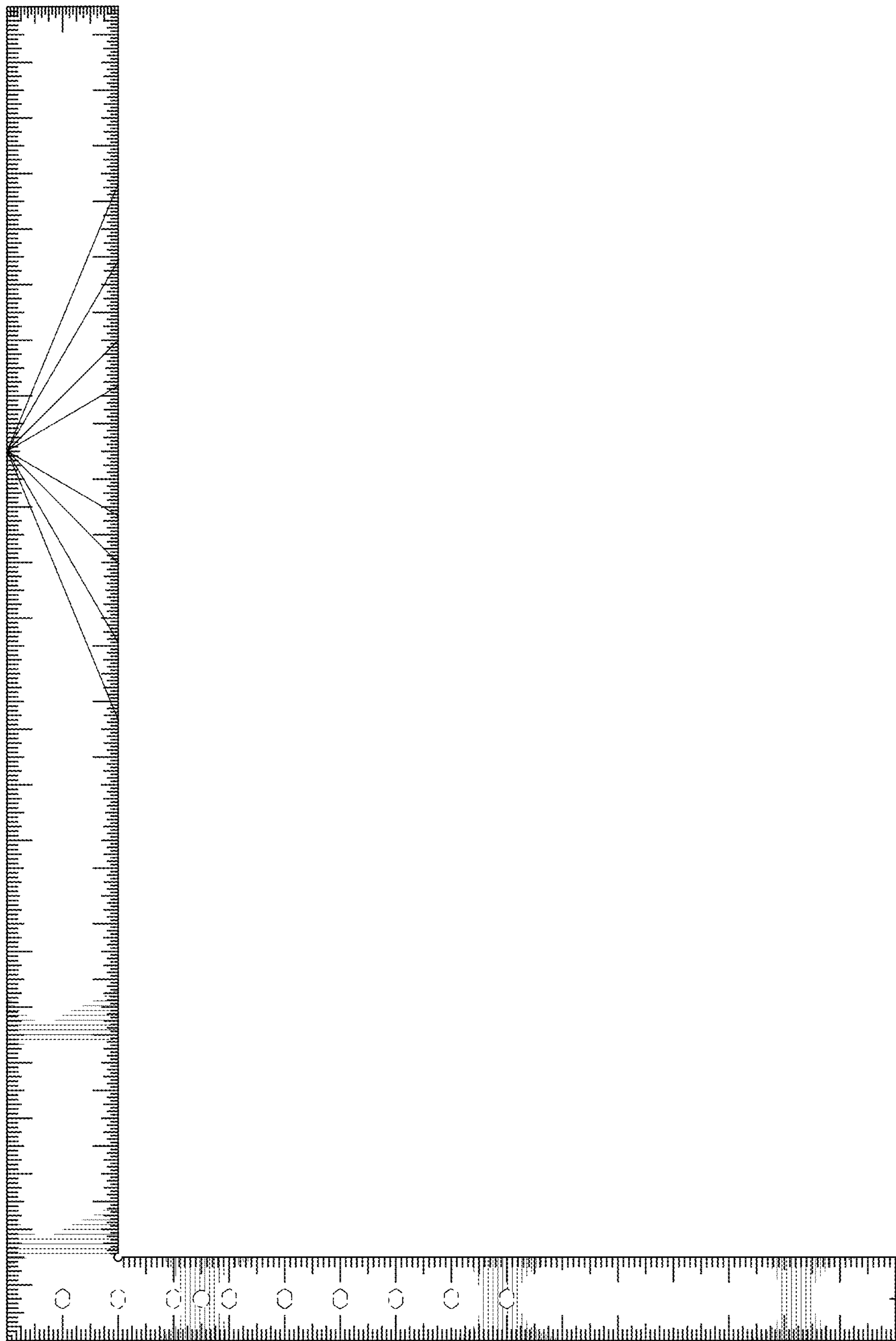


FIG. 16

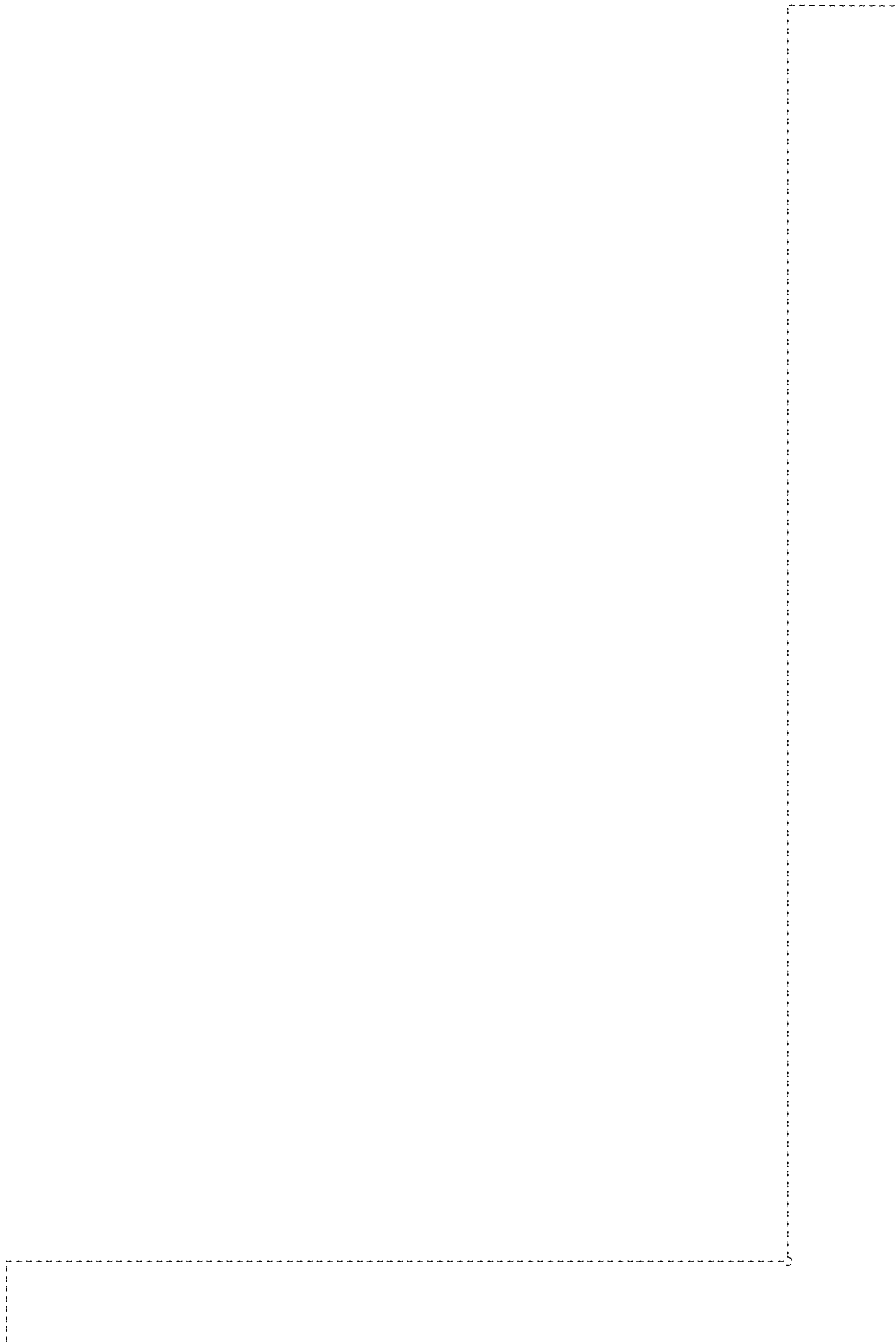


FIG. 17



FIG. 18



FIG. 19

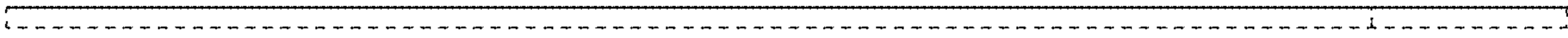


FIG. 20



FIG. 21