



US00D885207S

(12) **United States Design Patent**
Deng

(10) **Patent No.:** **US D885,207 S**

(45) **Date of Patent:** **** May 26, 2020**

(54) **DETECTOR FOR METAL**

(71) Applicant: **Shanghai Tianxun Electronic Equipment Co., Ltd**, Shanghai (CN)

(72) Inventor: **Junhong Deng**, Shanghai (CN)

(**) Term: **15 Years**

(21) Appl. No.: **29/724,150**

(22) Filed: **Feb. 13, 2020**

(51) **LOC (12) Cl.** **10-04**

(52) **U.S. Cl.**
USPC **D10/47**

(58) **Field of Classification Search**
USPC D10/47
CPC ... G01V 3/00; G01V 3/02; G01V 3/04; G01V 3/06; G01V 3/08; G01V 3/081; G01V 3/082; G01V 3/083; G01V 2003/084; G01V 2003/085; G01V 2003/086; G01V 3/087; G01V 3/088; G01V 3/10; G01V 3/101; G01V 3/102; G01V 3/104; G01V 3/105; G01V 3/107; G01V 3/108; G01V 3/12; G01V 3/14; G01V 3/15; G01V 3/16; G01V 3/165; G01V 3/17; G01V 3/175; G01V 3/18; G01V 3/20; G01V 3/22; G01V 3/24; G01V 3/26; G01V 3/265; G01V 3/28; G01V 3/30; G01V 3/32; G01V 3/34; G01V 3/36; G01V 3/38; G01V 3/40

See application file for complete search history.

(56) **References Cited**

U.S. PATENT DOCUMENTS

D497,559	S	*	10/2004	Johnson	D10/47
D513,706	S	*	1/2006	Johnson	D10/47
D583,261	S	*	12/2008	Johnson	D10/47
7,575,065	B1	*	8/2009	Podhrasky	A01B 1/00 172/371
9,347,798	B1	*	5/2016	Johnson	H04R 1/028
D796,971	S	*	9/2017	Dubos	H04R 1/028 D10/47
D844,462	S		4/2019	Griffin et al.		
D867,168	S	*	11/2019	Griffin	A01B 1/00 D10/47

* cited by examiner

Primary Examiner — Antoine Duval Davis

(74) *Attorney, Agent, or Firm* — ZANIP

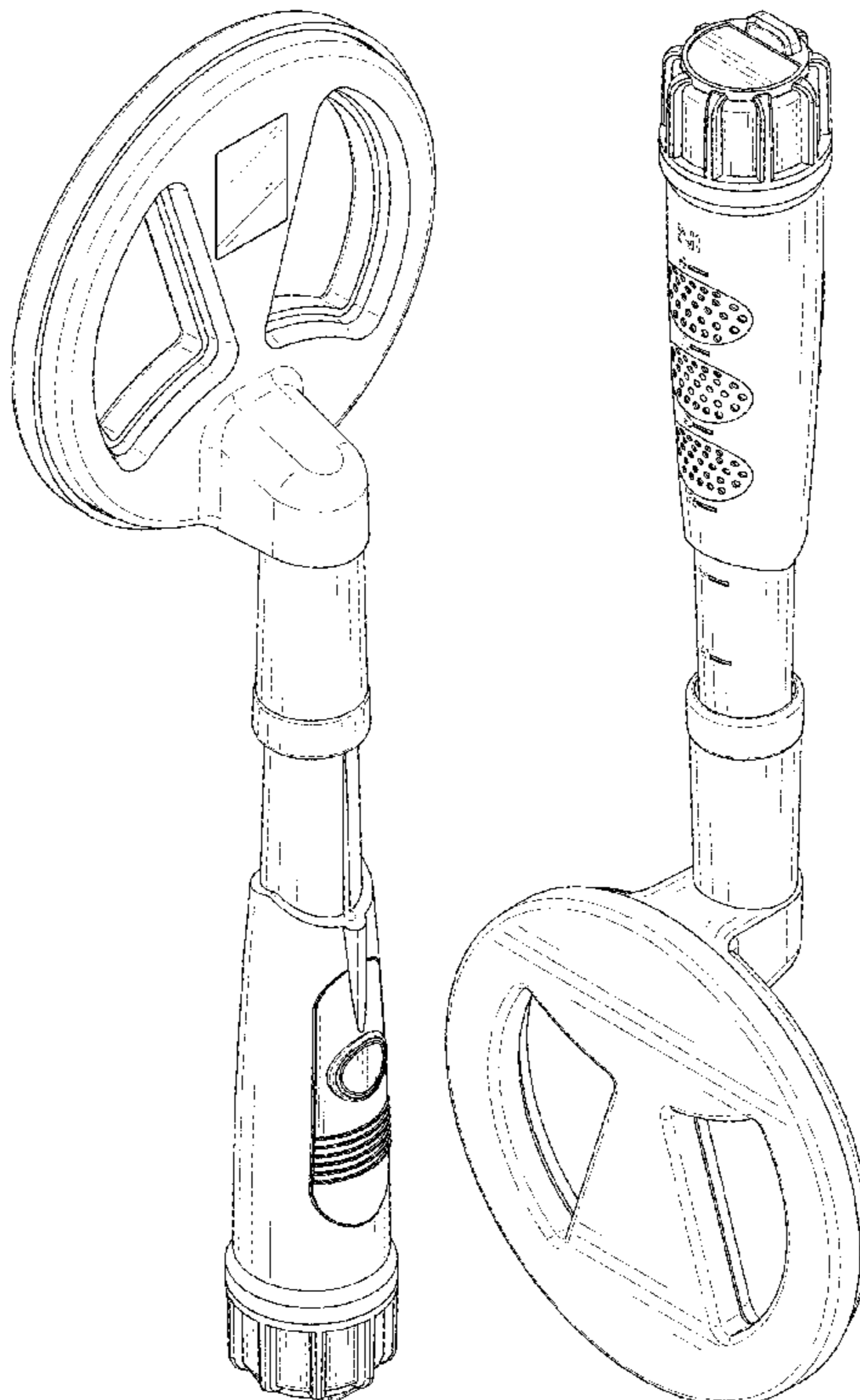
(57) **CLAIM**

The ornamental design for a detector for metal, as shown and described.

DESCRIPTION

FIG. 1 is a front and top perspective view of a detector for metal, showing my new design;
FIG. 2 is a rear and bottom perspective view thereof;
FIG. 3 is a front elevational view thereof;
FIG. 4 is a rear elevational view thereof;
FIG. 5 is a left side elevational view thereof;
FIG. 6 is a right side elevational view thereof;
FIG. 7 is a top plan view thereof; and,
FIG. 8 is a bottom plan view thereof.
The broken lines in the figures illustrate portions of the detector for metal that form no part of the claimed design.

1 Claim, 8 Drawing Sheets



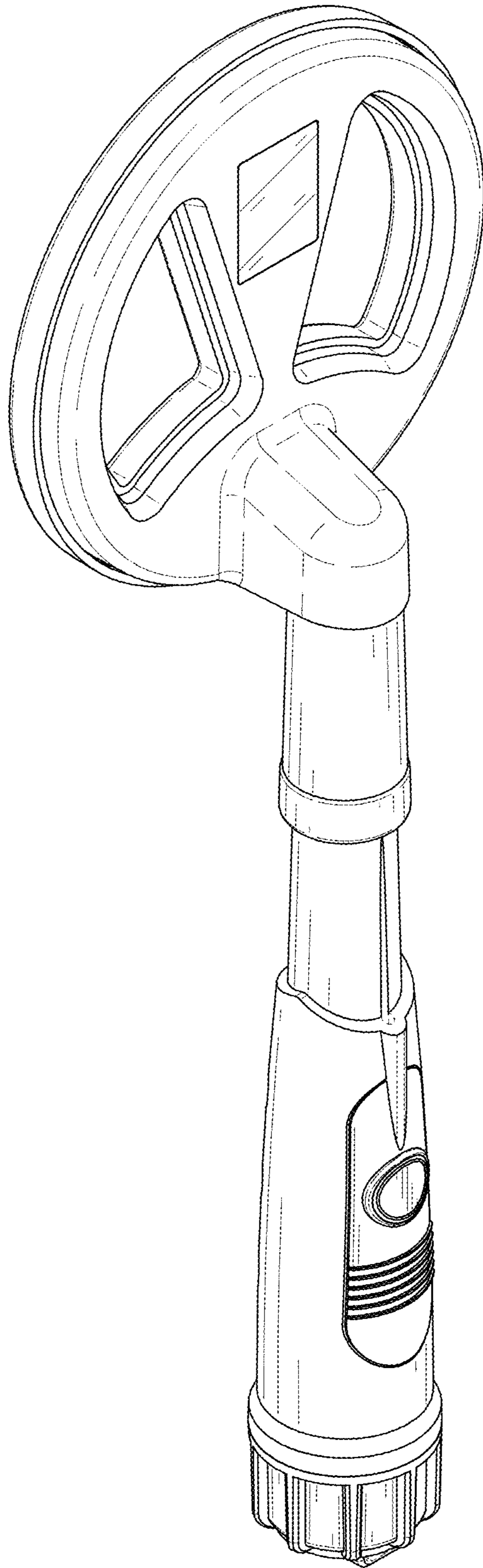


FIG. 1

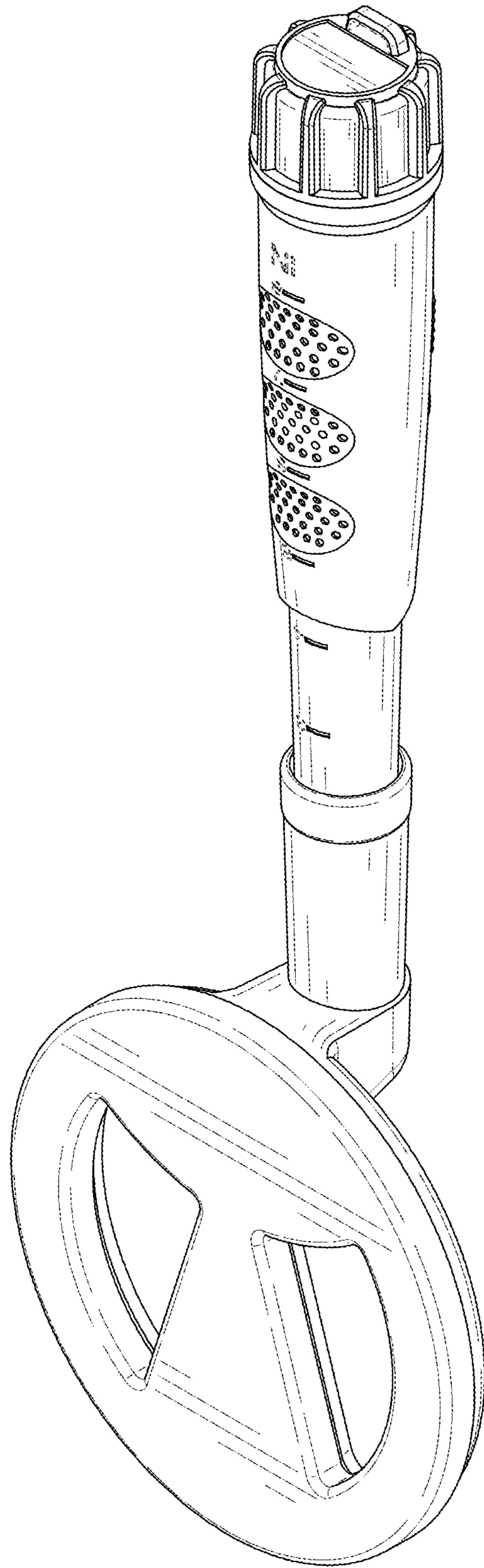


FIG. 2

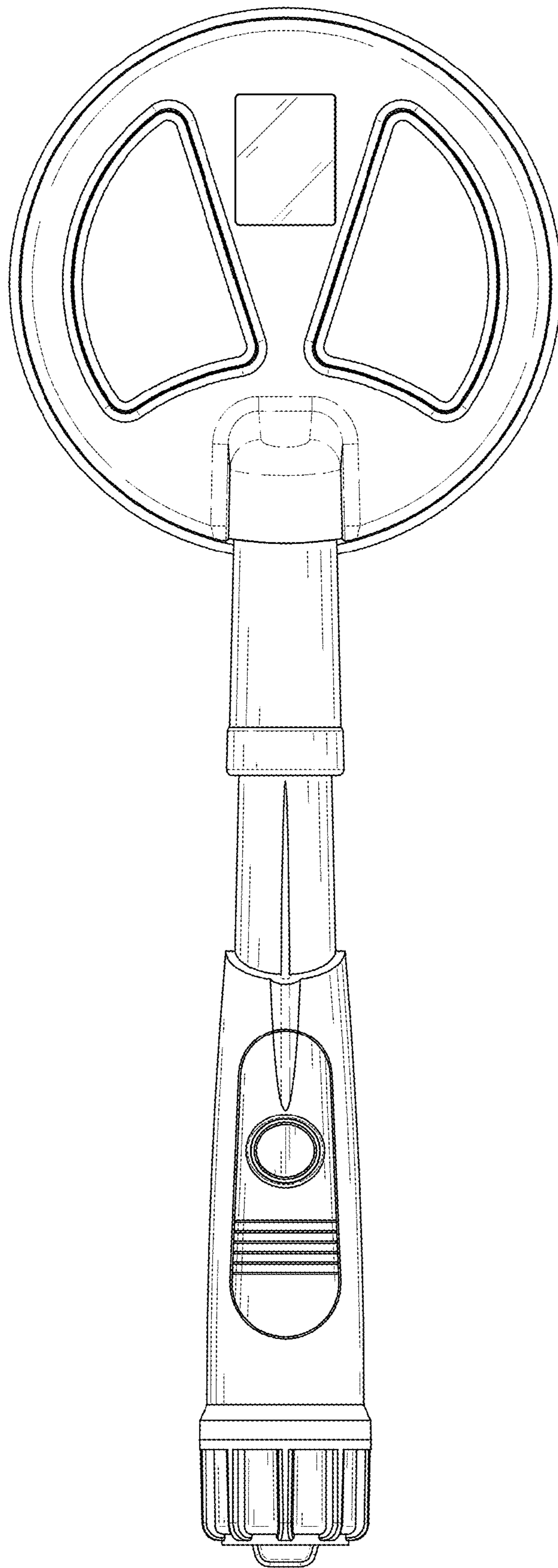


FIG. 3

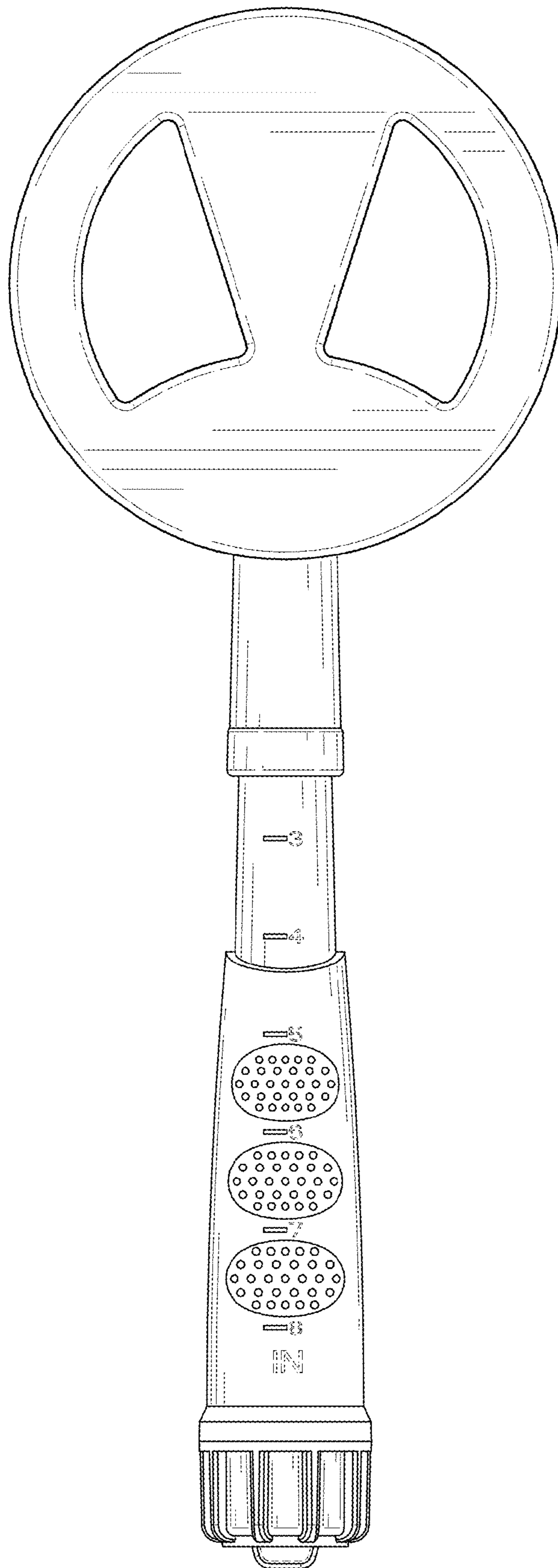


FIG. 4

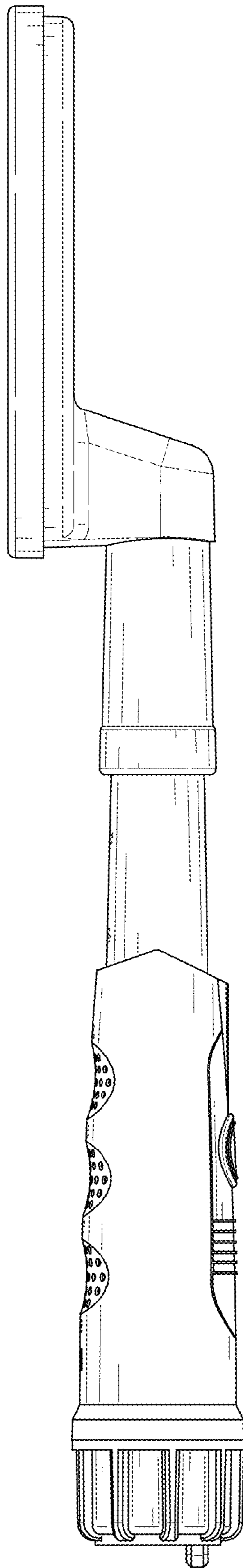


FIG. 5

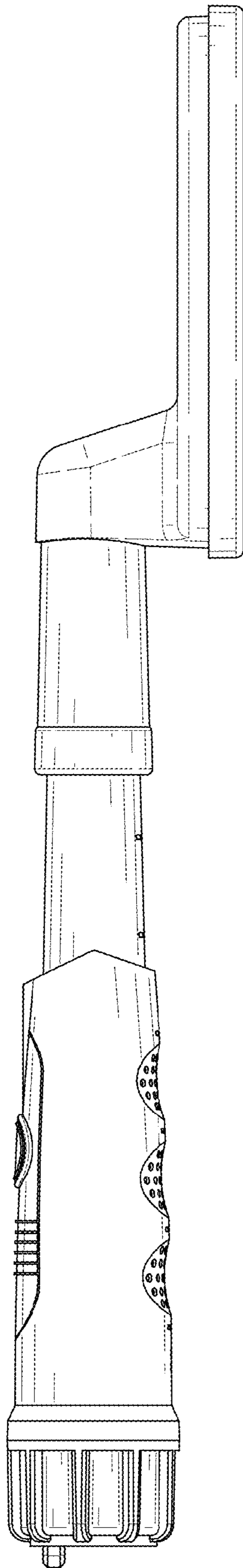


FIG. 6

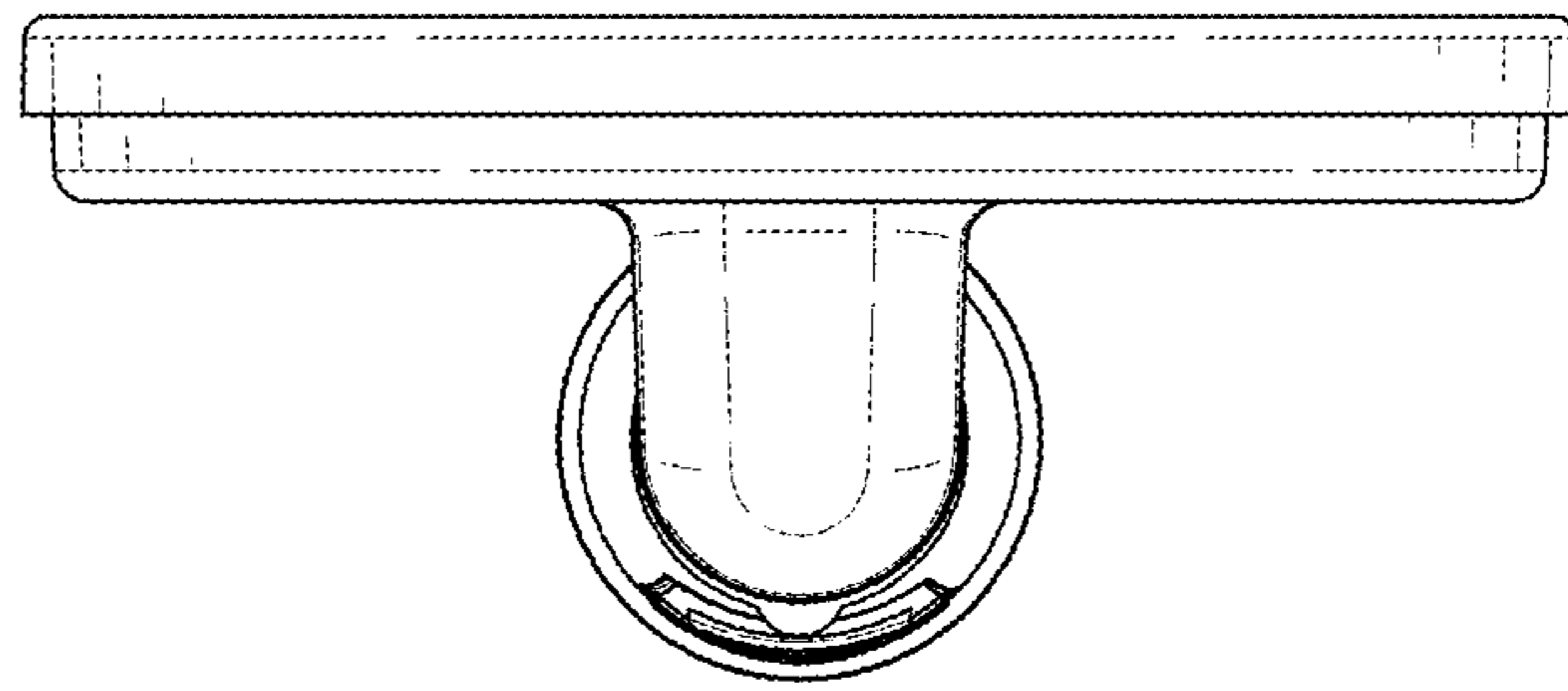


FIG. 7

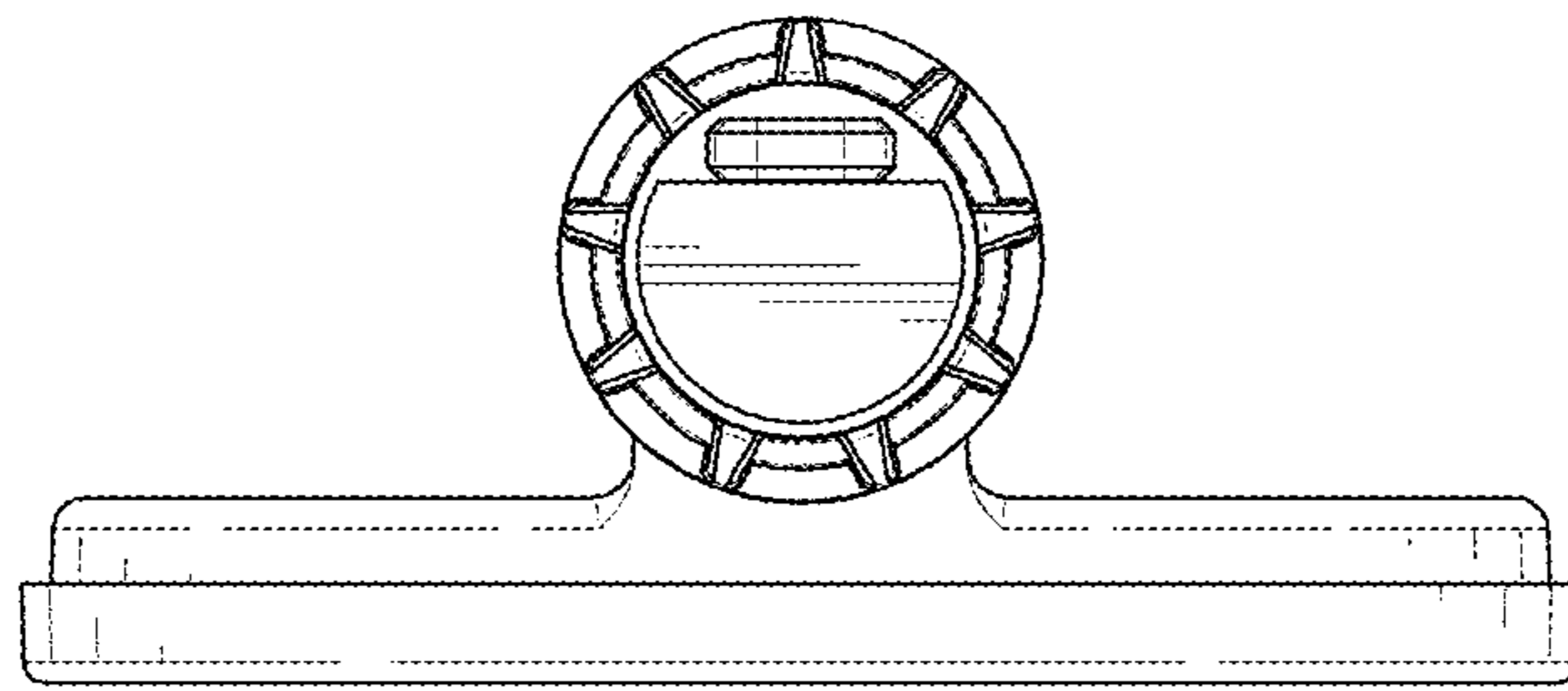


FIG. 8