



US00D885206S

(12) **United States Design Patent**
Deng

(10) **Patent No.:** **US D885,206 S**

(45) **Date of Patent:** **** May 26, 2020**

- (54) **DETECTOR FOR METAL**
 - (71) Applicant: **Shanghai Tianxun Electronic Equipment Co., Ltd, Shanghai (CN)**
 - (72) Inventor: **Junhong Deng, Shanghai (CN)**
 - (**) Term: **15 Years**
 - (21) Appl. No.: **29/723,637**
 - (22) Filed: **Feb. 9, 2020**
 - (51) **LOC (12) Cl.** **10-04**
 - (52) **U.S. Cl.**
USPC **D10/47**
 - (58) **Field of Classification Search**
USPC D10/47
CPC ... G01V 3/00; G01V 3/02; G01V 3/04; G01V 3/06; G01V 3/08; G01V 3/081; G01V 3/082; G01V 3/083; G01V 2003/084; G01V 2003/085; G01V 2003/086; G01V 3/087; G01V 3/088; G01V 3/10; G01V 3/101; G01V 3/102; G01V 3/104; G01V 3/105; G01V 3/107; G01V 3/108; G01V 3/12; G01V 3/14; G01V 3/15; G01V 3/16; G01V 3/165; G01V 3/17; G01V 3/175; G01V 3/18; G01V 3/20; G01V 3/22; G01V 3/24; G01V 3/26; G01V 3/265; G01V 3/28; G01V 3/30; G01V 3/32; G01V 3/34; G01V 3/36; G01V 3/38; G01V 3/40
- See application file for complete search history.

- 8,842,035 B2 * 9/2014 Duvoisin, III G01S 13/885 342/22
- 9,021,661 B2 * 5/2015 Andel B25G 1/04 16/429
- 9,664,809 B2 * 5/2017 Fry G01V 3/104
- 9,733,353 B1 * 8/2017 Carlson G01S 13/878
- 9,864,089 B2 * 1/2018 Andel F41H 11/136
- D844,462 S 4/2019 Griffin et al.
- D844,463 S * 4/2019 Zhang G01V 3/104 D10/47
- D867,170 S * 11/2019 Deng B25G 1/04 D10/47
- D873,682 S * 1/2020 Shao G01S 13/885 D10/47

* cited by examiner

Primary Examiner — Antoine Duval Davis

(74) *Attorney, Agent, or Firm* — ZANIP

(57) **CLAIM**

The ornamental design for a detector for metal, as shown and described.

DESCRIPTION

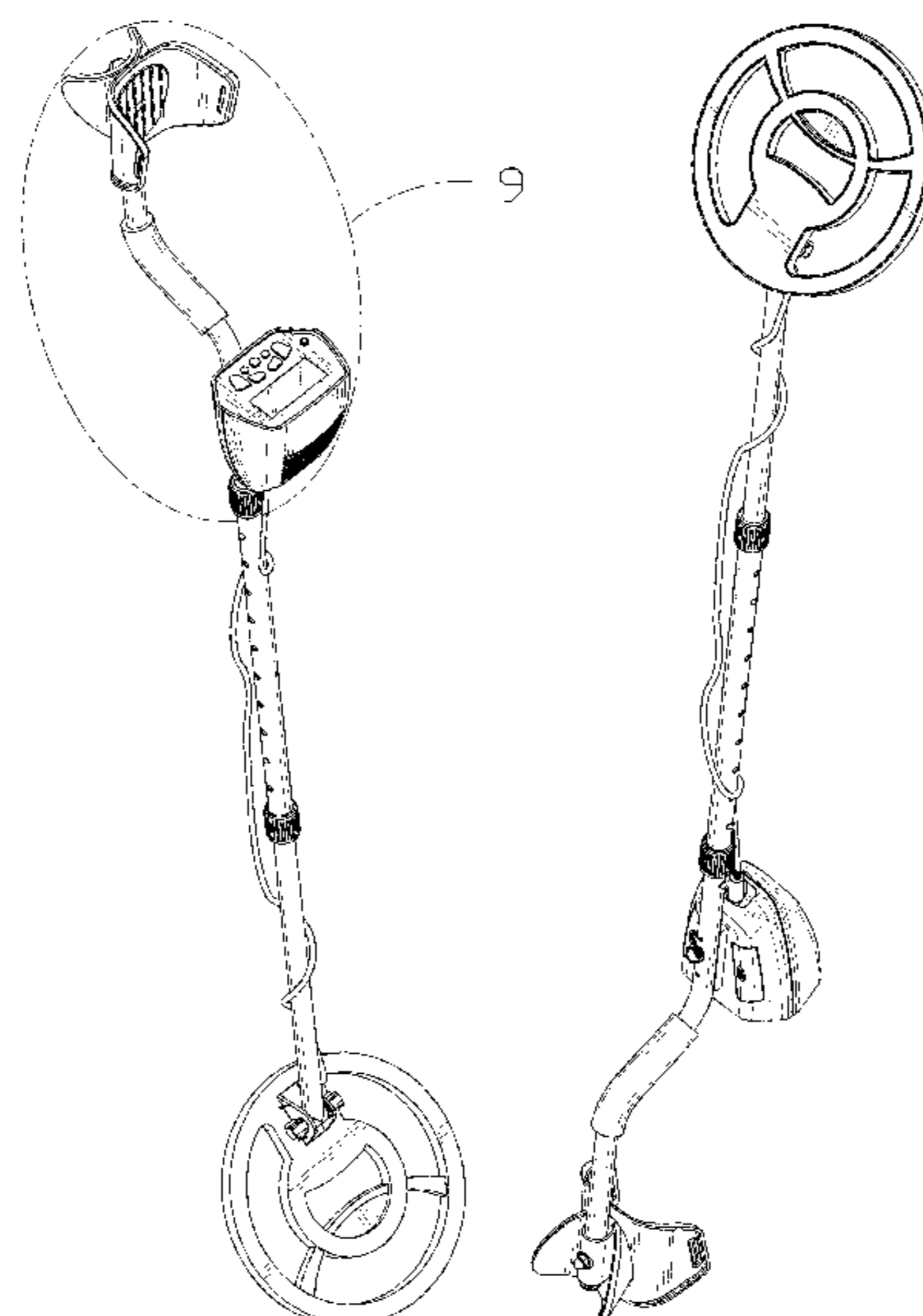
FIG. 1 is a front and top perspective view of a detector for metal, showing in new design;
 FIG. 2 is a rear and bottom perspective view thereof;
 FIG. 3 is a front elevational view thereof;
 FIG. 4 is a rear elevational view thereof;
 FIG. 5 is a left side elevational view thereof;
 FIG. 6 is a right side elevational view thereof;
 FIG. 7 is a top plan view thereof;
 FIG. 8 is a bottom plan view thereof; and,
 FIG. 9 is an enlarged view of a portion indicated in FIG. 1. The broken lines in the figures illustrate portions of the detector for metal that form no part of the claimed design. The dash dot dash lines in FIG. 1, and 9 are for the purpose of depicting the cut line of the enlarged view and form no part of the claim.

(56) **References Cited**

U.S. PATENT DOCUMENTS

- D533,792 S * 12/2006 Johnson H04R 1/028 D10/47
- D605,956 S * 12/2009 Hu H04R 1/028 D10/47
- D690,213 S * 9/2013 Walsh A01B 1/00 D10/47

1 Claim, 9 Drawing Sheets



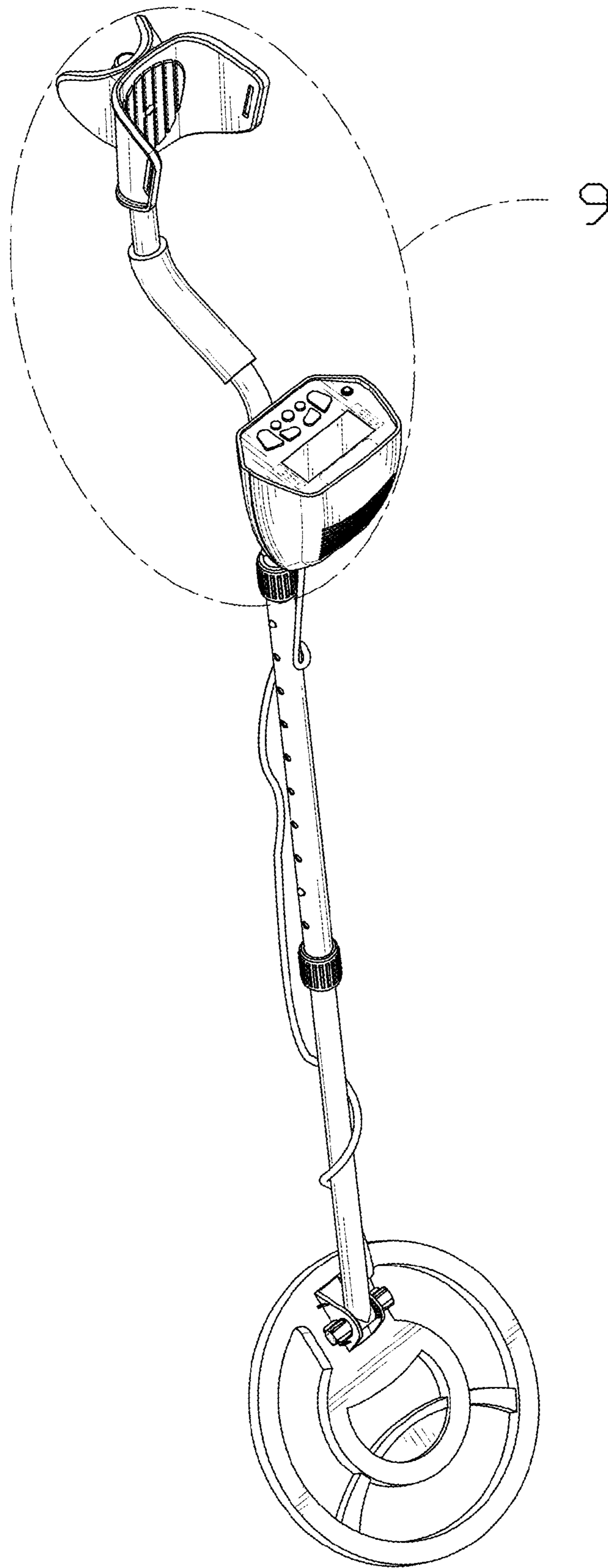


FIG. 1

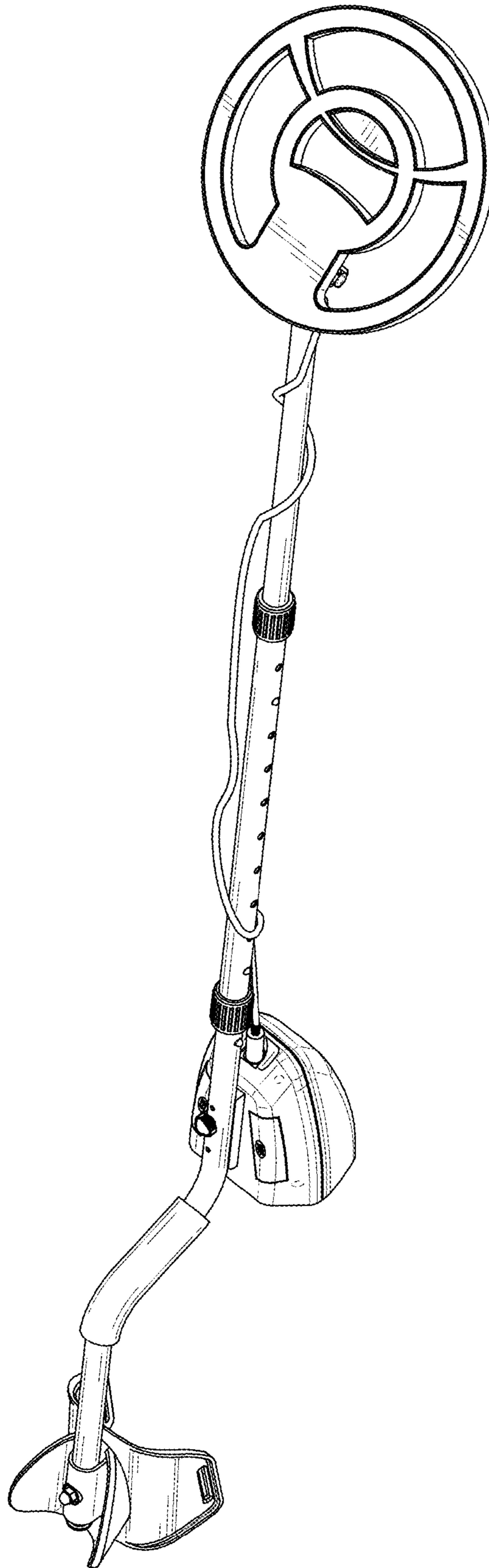


FIG. 2

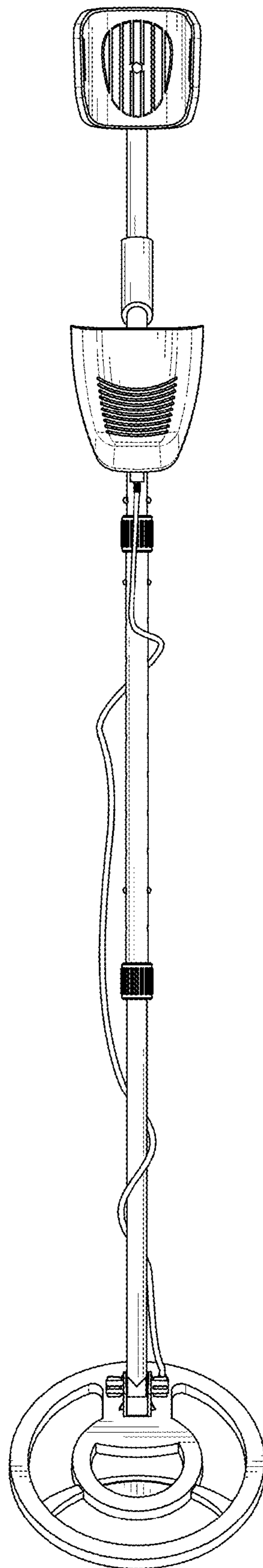


FIG. 3

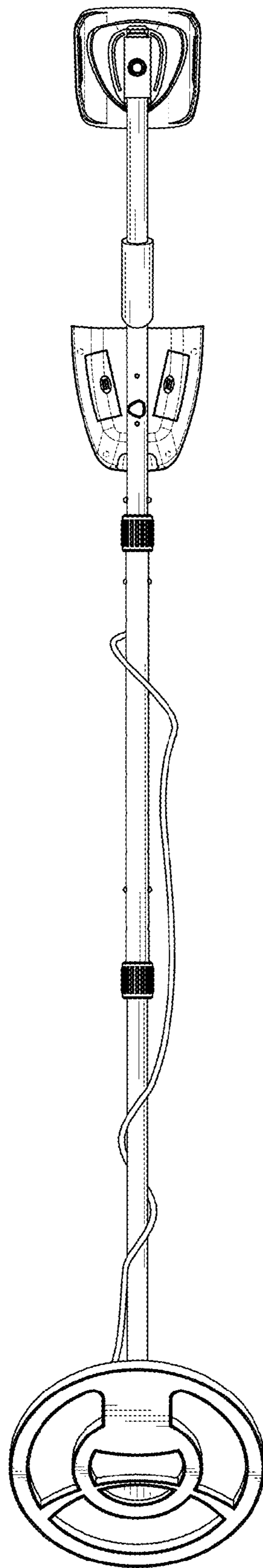


FIG. 4

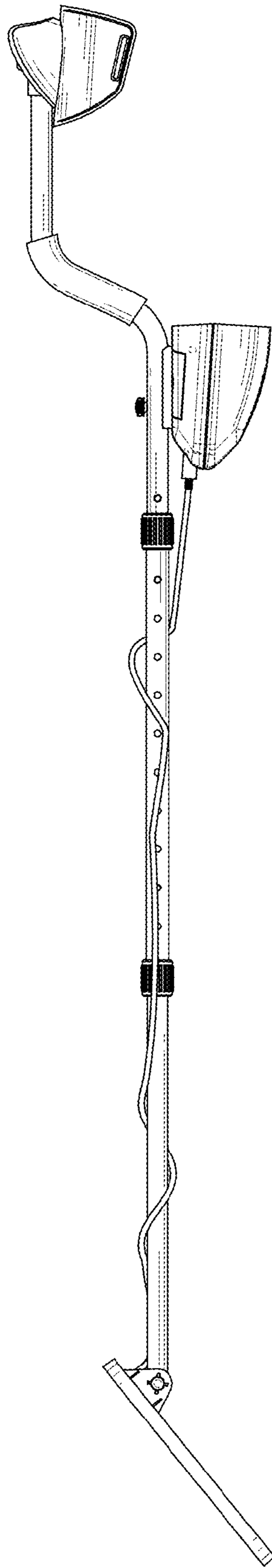


FIG. 5

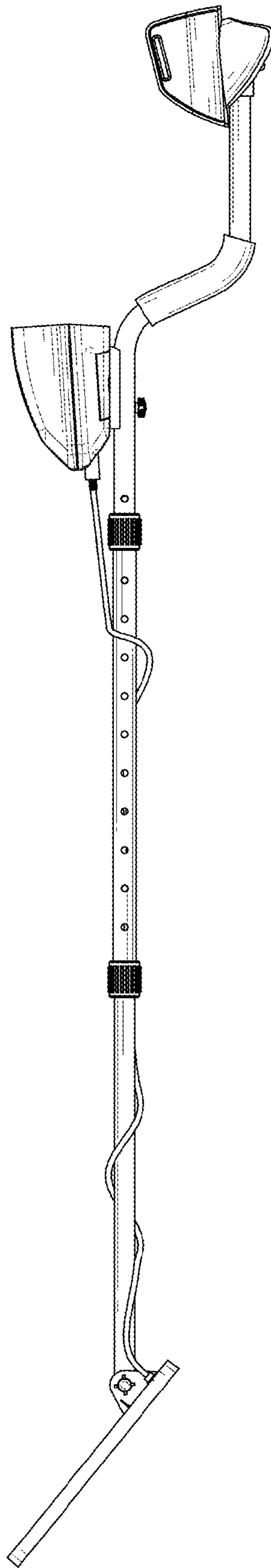


FIG. 6

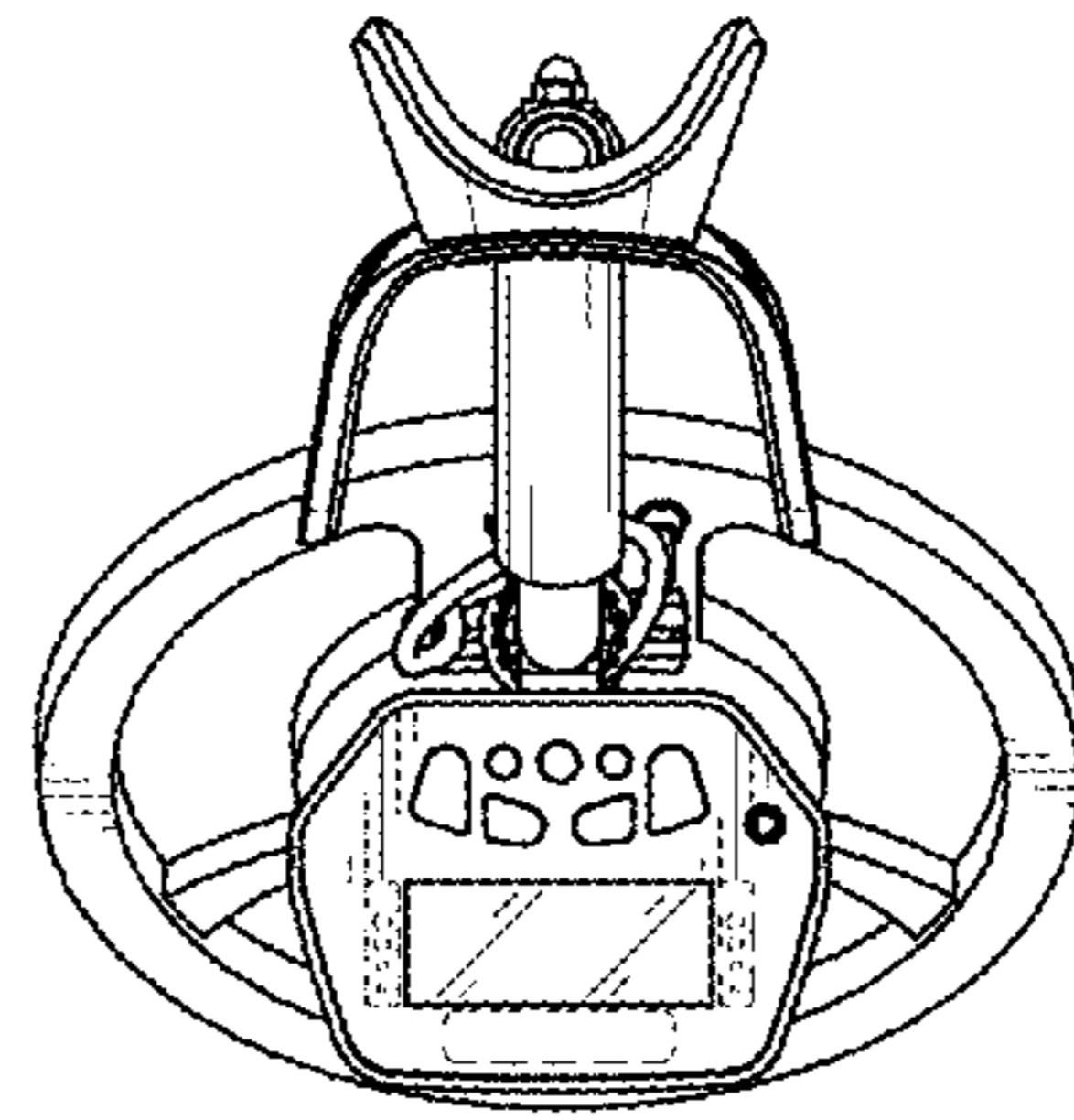


FIG. 7

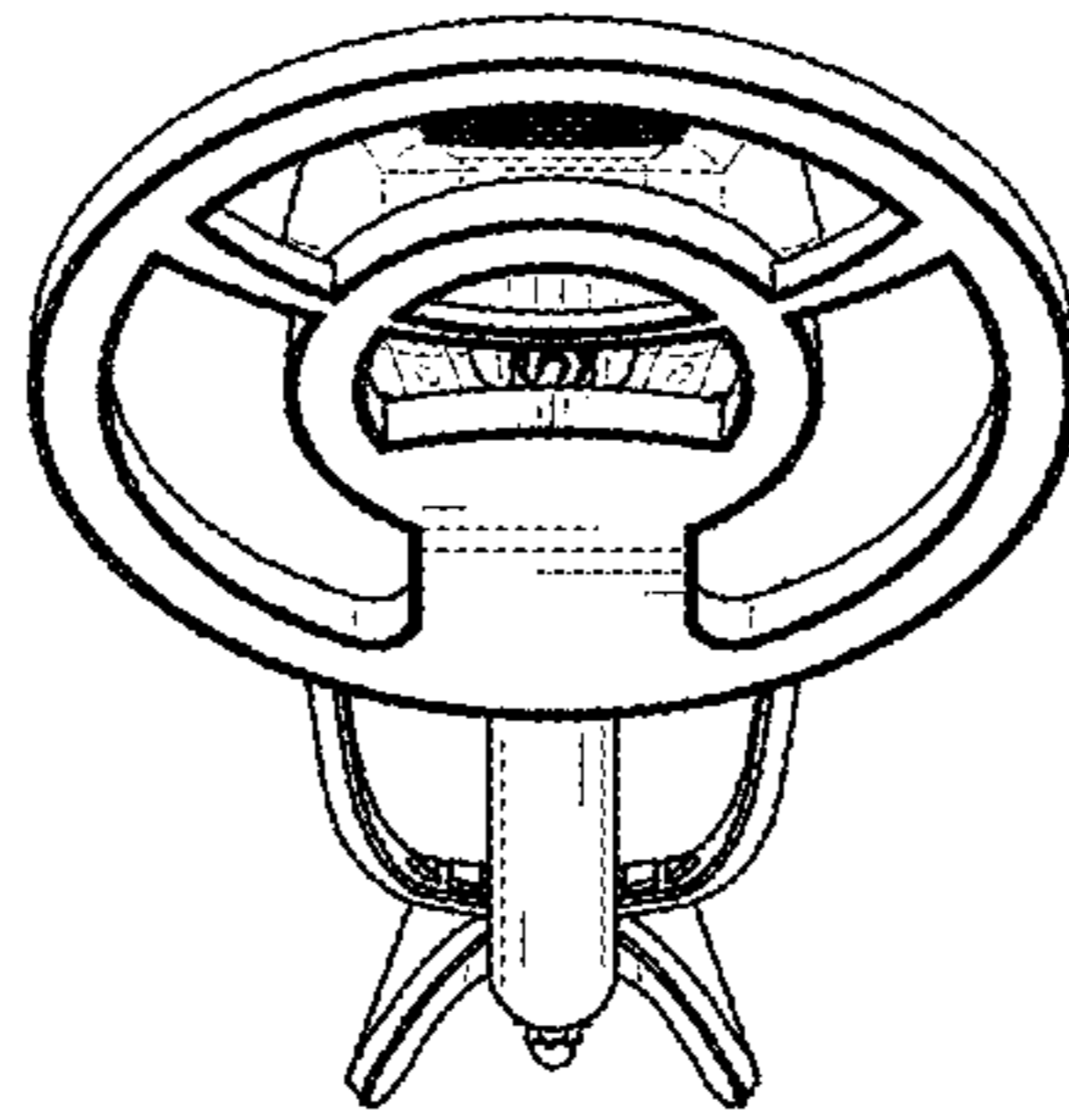


FIG. 8

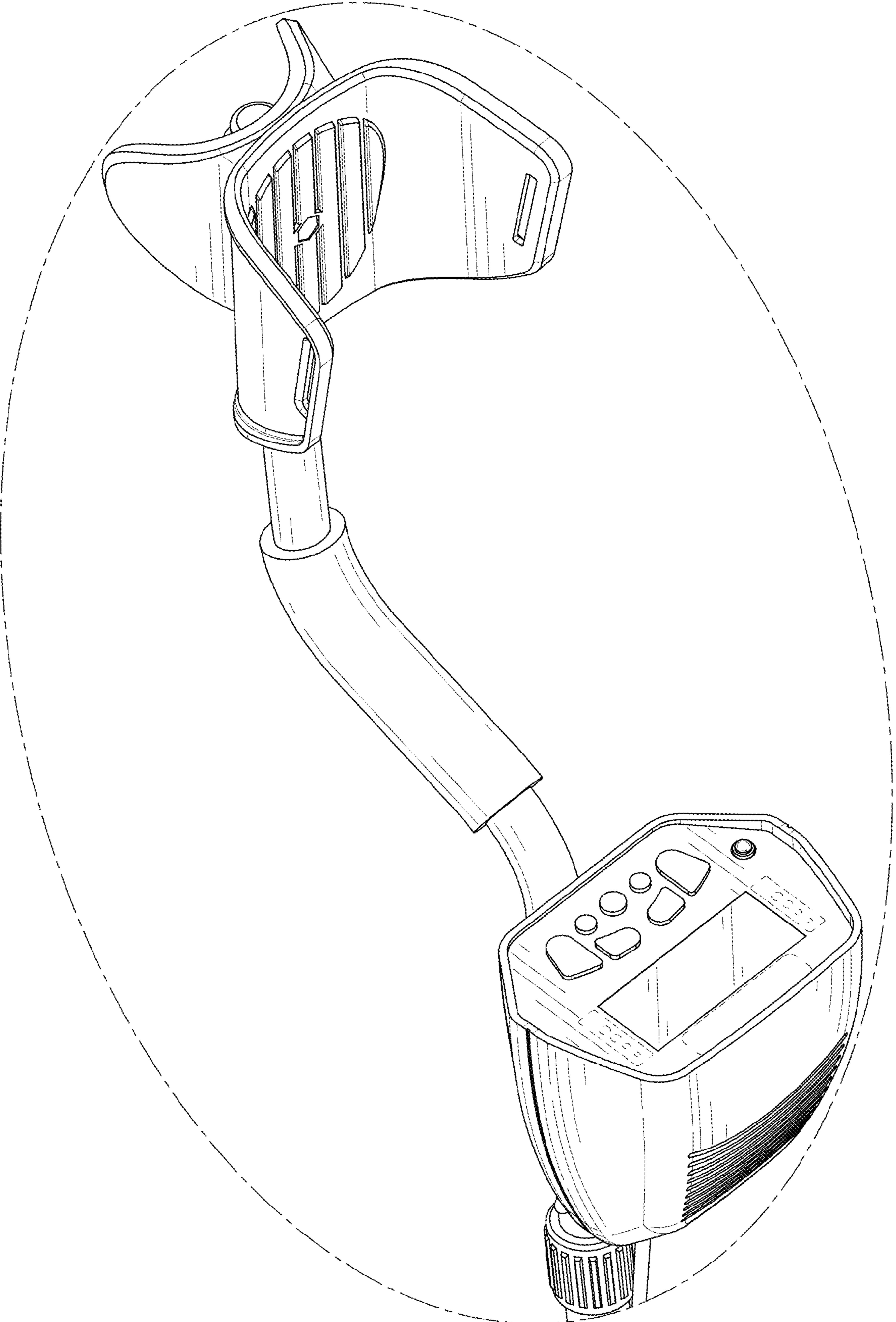


FIG. 9