



US00D885204S

(12) **United States Design Patent**
Deng

(10) **Patent No.:** **US D885,204 S**

(45) **Date of Patent:** **** May 26, 2020**

- (54) **DETECTOR FOR METAL**
 - (71) Applicant: **Shanghai Tianxun Electronic Equipment Co., Ltd**, Shanghai (CN)
 - (72) Inventor: **Junhong Deng**, Shanghai (CN)
 - (**) Term: **15 Years**
 - (21) Appl. No.: **29/723,635**
 - (22) Filed: **Feb. 9, 2020**
 - (51) **LOC (12) Cl.** **10-04**
 - (52) **U.S. Cl.**
USPC **D10/47**
 - (58) **Field of Classification Search**
USPC D10/47
CPC ... G01V 3/00; G01V 3/02; G01V 3/04; G01V 3/06; G01V 3/08; G01V 3/081; G01V 3/082; G01V 3/083; G01V 2003/084; G01V 2003/085; G01V 2003/086; G01V 3/087; G01V 3/088; G01V 3/10; G01V 3/101; G01V 3/102; G01V 3/104; G01V 3/105; G01V 3/107; G01V 3/108; G01V 3/12; G01V 3/14; G01V 3/15; G01V 3/16; G01V 3/165; G01V 3/17; G01V 3/175; G01V 3/18; G01V 3/20; G01V 3/22; G01V 3/24; G01V 3/26; G01V 3/265; G01V 3/28; G01V 3/30; G01V 3/32; G01V 3/34; G01V 3/36; G01V 3/38; G01V 3/40
- See application file for complete search history.

- D583,261 S * 12/2008 Johnson D10/47
- 7,575,065 B1 * 8/2009 Podhrasky A01B 1/00
172/371
- 9,347,798 B1 * 5/2016 Johnson H04R 1/028
- D796,971 S * 9/2017 Dubos H04R 1/028
D10/47
- D844,462 S 4/2019 Griffin et al.
- D867,168 S * 11/2019 Griffin A01B 1/00
D10/47

* cited by examiner

Primary Examiner — Antoine Duval Davis

(74) *Attorney, Agent, or Firm* — ZANIP

(57) **CLAIM**

The ornamental design for a detector for metal, as shown and described.

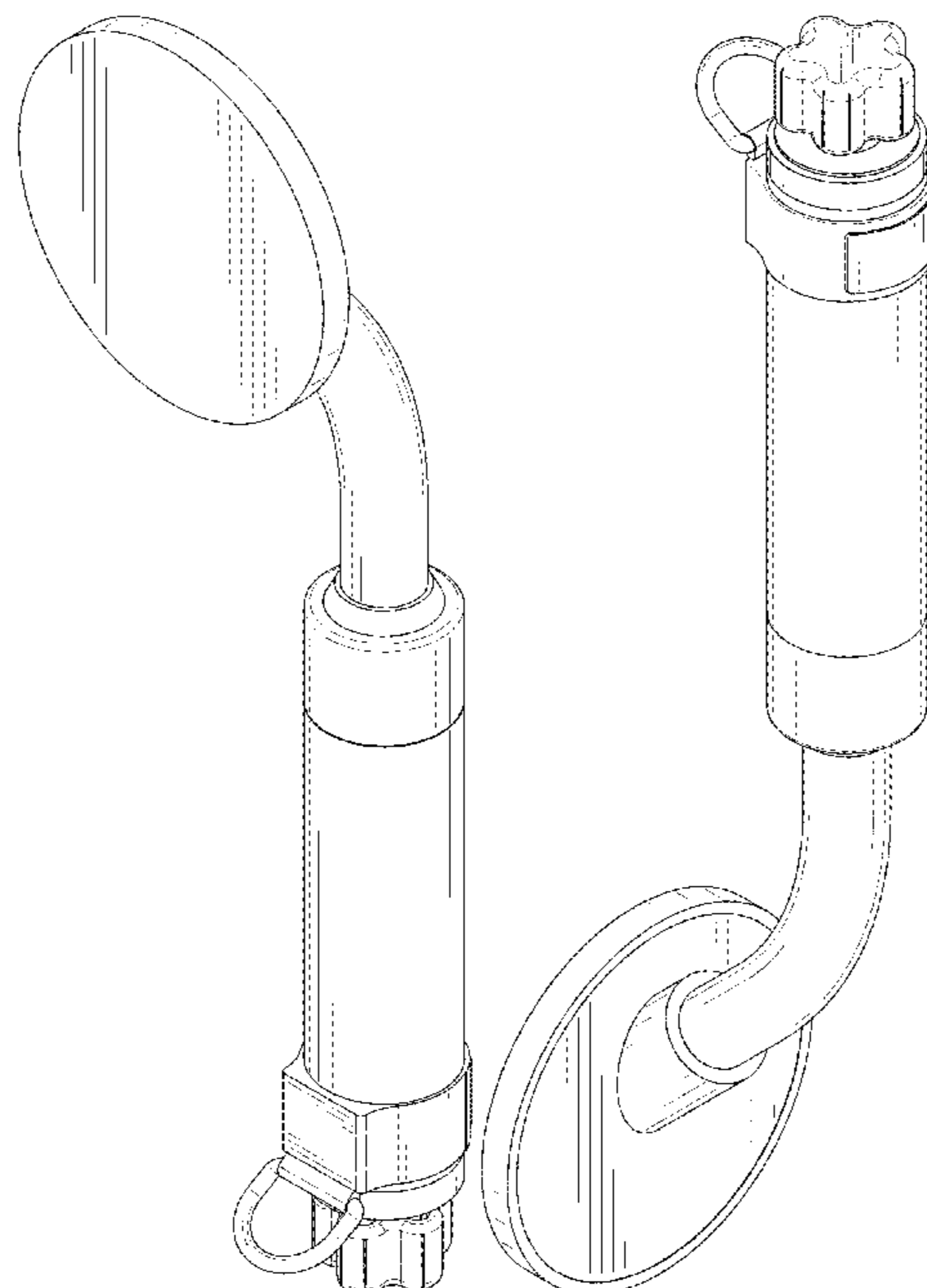
DESCRIPTION

FIG. 1 is a front and top perspective view of a detector for metal, showing my new design;
 FIG. 2 is a rear and bottom perspective view thereof;
 FIG. 3 is a front elevational view thereof;
 FIG. 4 is a rear elevational view thereof;
 FIG. 5 is a left side elevational view thereof;
 FIG. 6 is a right side elevational view thereof;
 FIG. 7 is a top plan view thereof;
 FIG. 8 is a bottom plan view thereof; and,
 FIG. 9 is an enlarged view of a portion indicated in FIG. 3. The dash dot dash lines in FIGS. 3, and 9 are for the purpose of depicting the cut line of the enlarged view and form no part of the claim.

1 Claim, 9 Drawing Sheets

(56) **References Cited**
U.S. PATENT DOCUMENTS

- D497,559 S * 10/2004 Johnson D10/47
- D513,706 S * 1/2006 Johnson D10/47



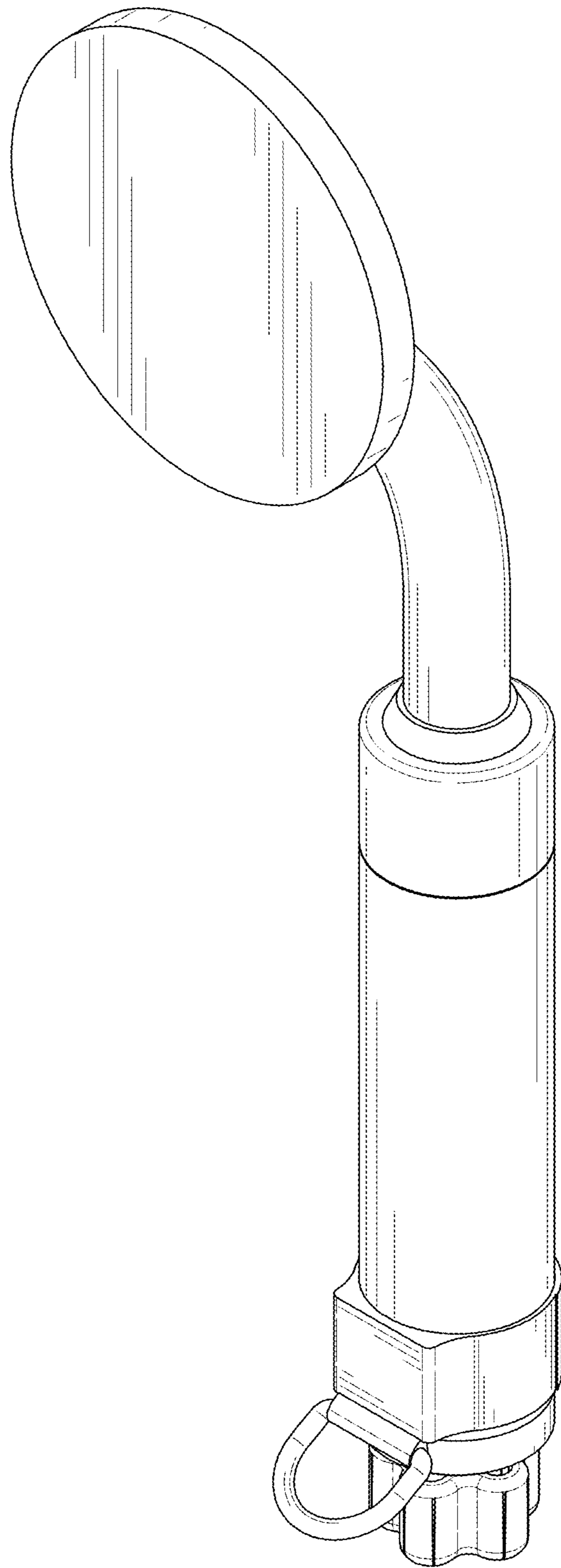


FIG. 1

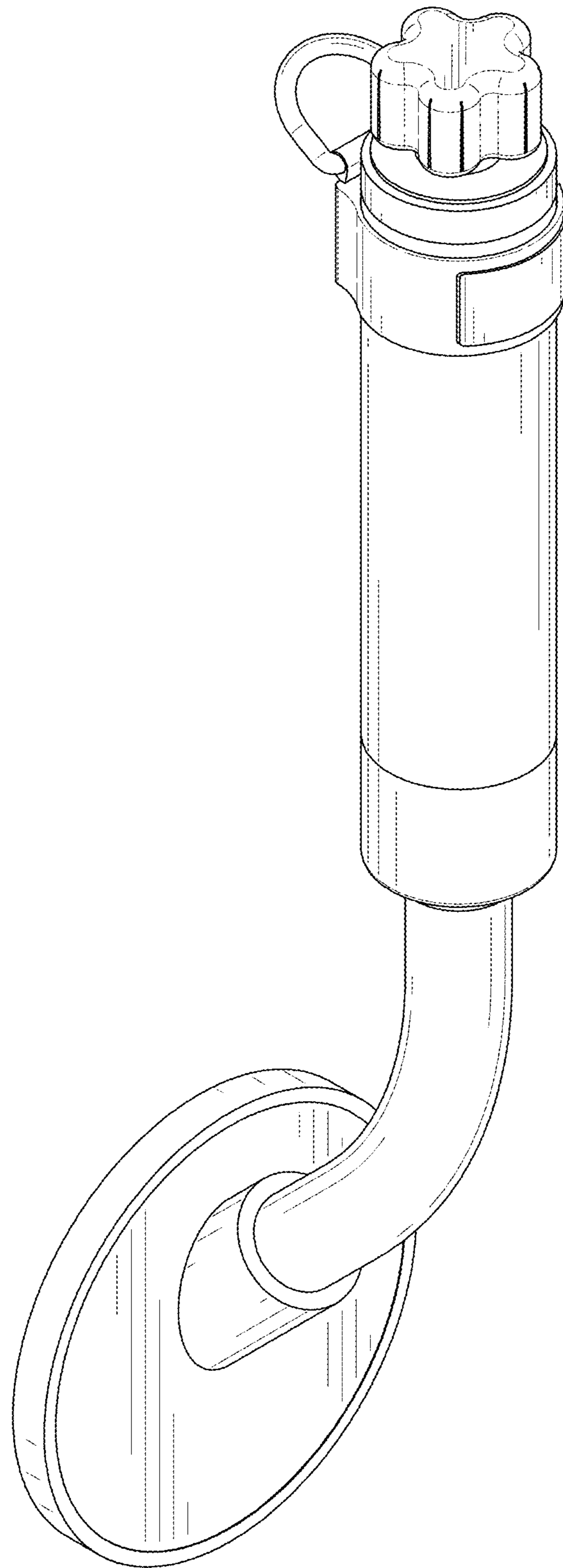


FIG. 2

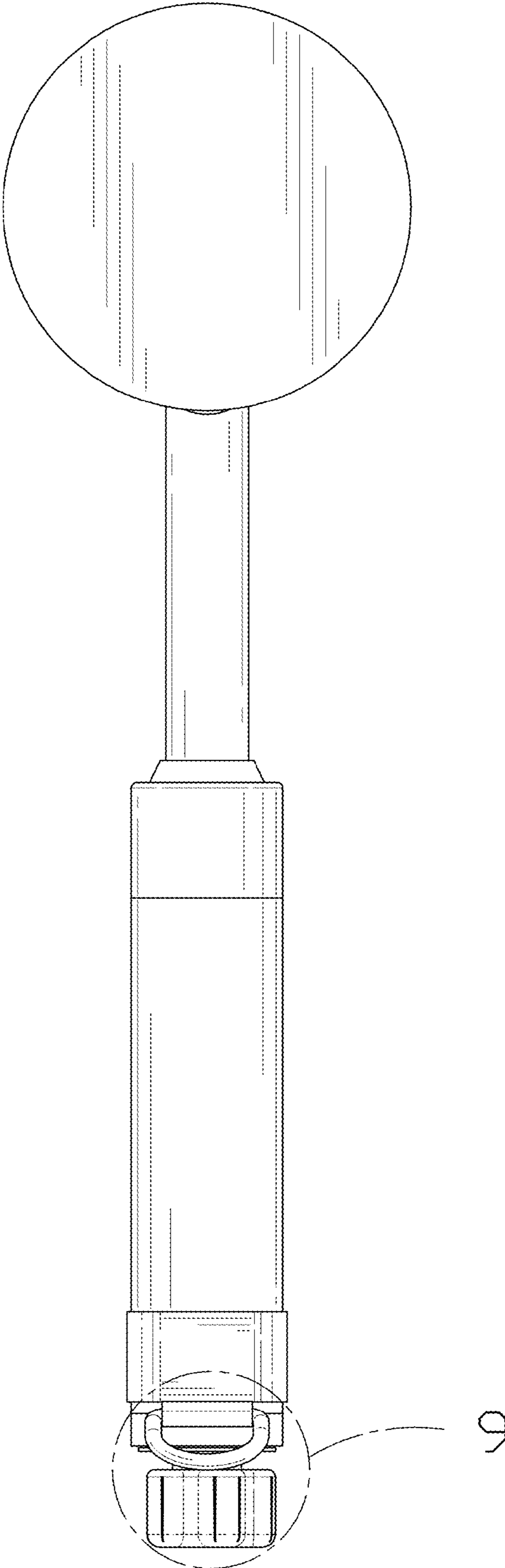


FIG. 3

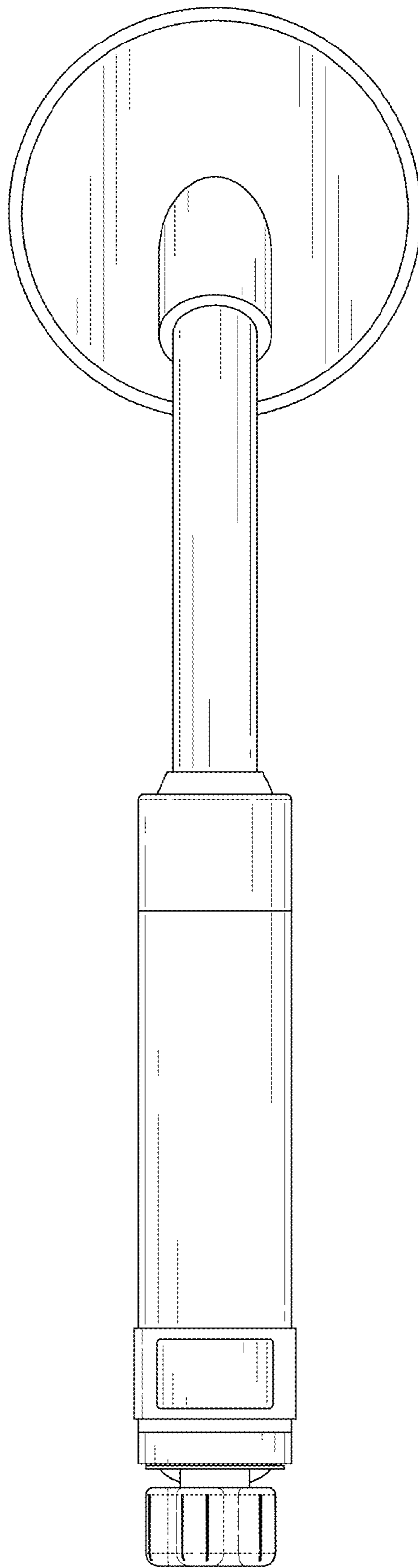


FIG. 4

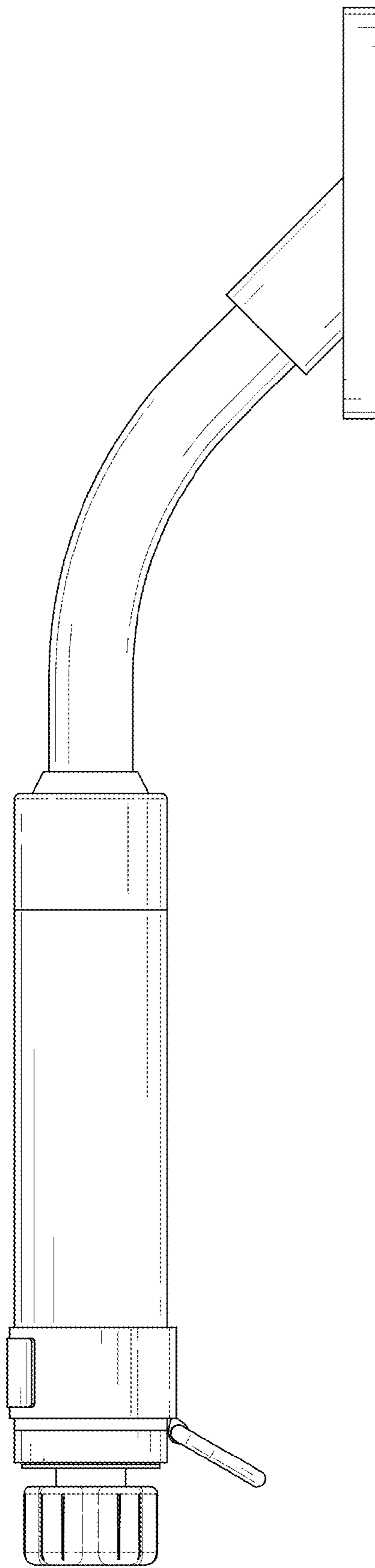


FIG. 5

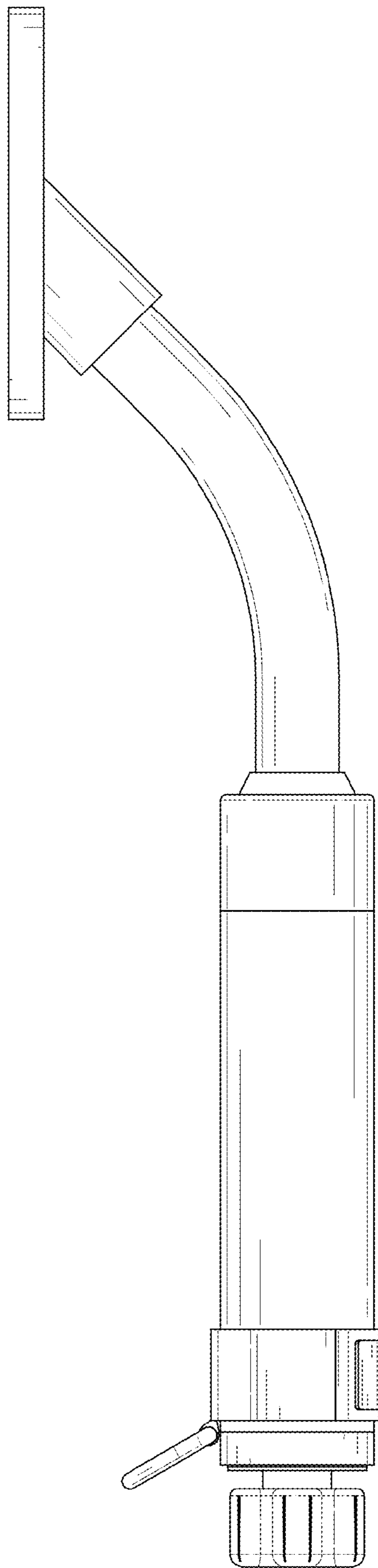


FIG. 6

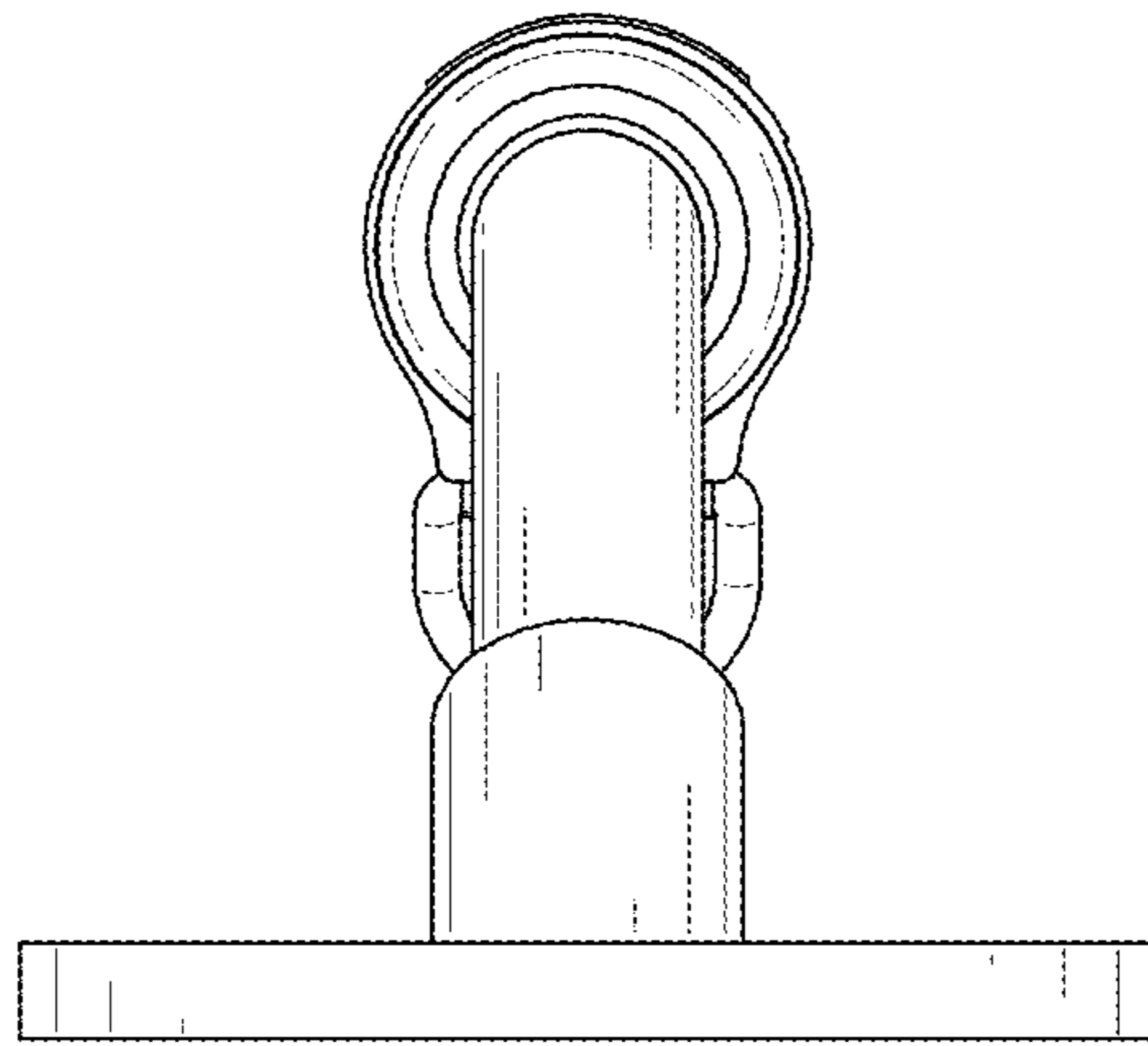


FIG. 7

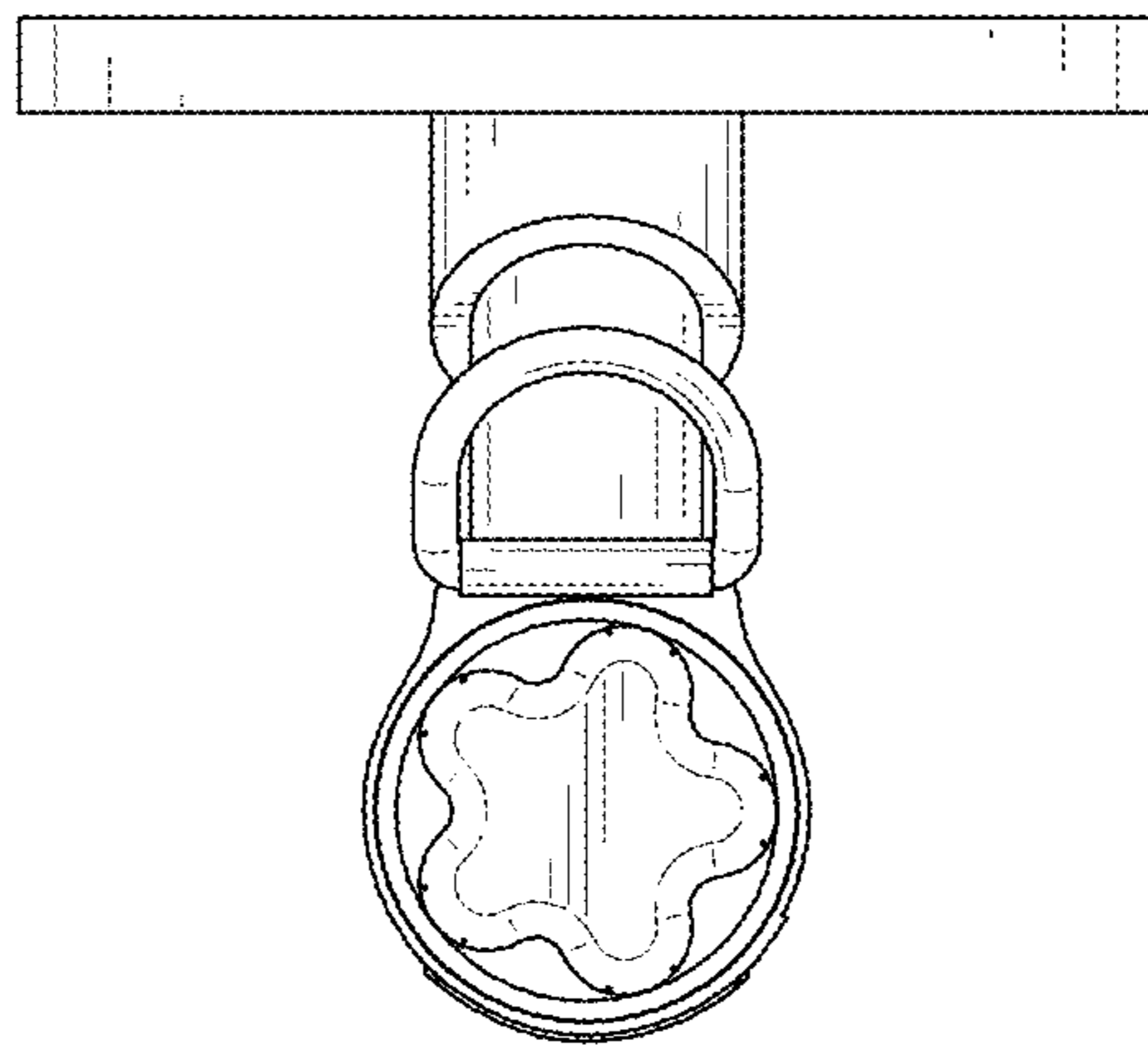


FIG. 8

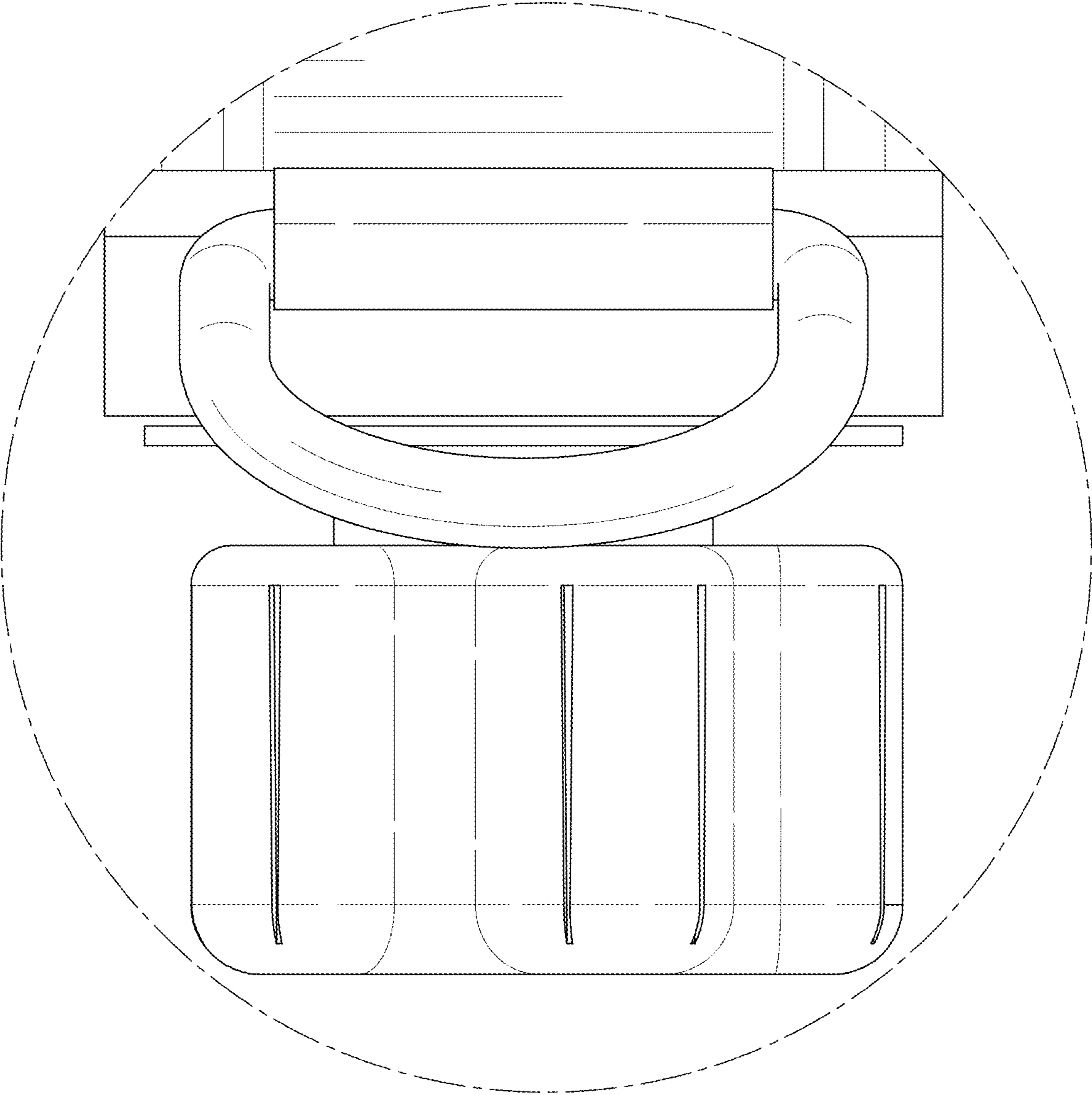


FIG. 9