



US00D885202S

(12) **United States Design Patent**  
**Morris**

(10) **Patent No.:** **US D885,202 S**

(45) **Date of Patent:** **\*\* May 26, 2020**

(54) **CLOCK**

(71) Applicant: **FLYTE LLC**, New York, NY (US)

(72) Inventor: **Simon Morris**, New York, NY (US)

(73) Assignee: **FLYTE LLC**, New York, NY (US)

(\*\*) Term: **15 Years**

(21) Appl. No.: **29/593,696**

(22) Filed: **Feb. 10, 2017**

(51) **LOC (12) Cl.** ..... **10-01**

(52) **U.S. Cl.**  
USPC ..... **D10/15**

(58) **Field of Classification Search**

USPC ..... D10/1-29, 40, 41, 126, 189, 129;  
D14/170, 171, 188-190, 197, 198;  
D6/672, 673, 677

CPC ..... G04B 19/00; G04B 19/04; G04B 19/34;  
G04B 45/0069; G04C 3/00; G04C 3/001

See application file for complete search history.

(56) **References Cited**

**U.S. PATENT DOCUMENTS**

|               |         |           |       |              |
|---------------|---------|-----------|-------|--------------|
| D15,448 S *   | 10/1884 | Scott     | ..... | D10/126      |
| D115,901 S *  | 8/1939  | Banik     | ..... | D10/1        |
| 2,188,872 A * | 1/1940  | Carlson   | ..... | G04B 19/00   |
|               |         |           |       | 368/228      |
| 2,814,927 A * | 12/1957 | Steimann  | ..... | G04B 37/0066 |
|               |         |           |       | 368/317      |
| D185,580 S *  | 6/1959  | Snider    | ..... | D10/1        |
| D209,070 S *  | 10/1967 | Hetzel    | ..... | D10/1        |
| D271,383 S *  | 11/1983 | Cuccia    | ..... | D10/126      |
| D360,833 S *  | 8/1995  | Rodrigues | ..... | D10/125      |
| D379,767 S *  | 6/1997  | Rowley    | ..... | D10/15       |
| D405,470 S *  | 2/1999  | Messina   | ..... | D10/126      |
| 5,896,348 A * | 4/1999  | Lyon      | ..... | G04G 9/02    |
|               |         |           |       | 368/223      |
| D416,809 S *  | 11/1999 | Ragland   | ..... | D10/22       |

D454,585 S \* 3/2002 Shamitoff ..... D10/2  
6,357,746 B1 \* 3/2002 Sadowski ..... G04F 1/005  
273/148 R

D506,693 S \* 6/2005 Kaczmarek ..... D10/104.1  
D531,521 S \* 11/2006 Ali ..... D10/6  
D540,694 S \* 4/2007 Halsey ..... D10/23

(Continued)

*Primary Examiner* — Sandra S Snapp

(74) *Attorney, Agent, or Firm* — Nigamnarayan Acharya;  
Lewis Brisbois Bisgaard & Smith LLP

(57) **CLAIM**

The ornamental design for a clock, as shown and described.

**DESCRIPTION**

FIG. 1 is a top perspective view of a first embodiment of a clock having a base, a marker, and optional indicia;

FIG. 2 is a bottom perspective view of the embodiment shown in FIG. 1;

FIG. 3 is a top view of the embodiment shown in FIG. 1 showing the marker positioned near optional indicia;

FIG. 4 is bottom side view of the embodiment shown in FIG. 1;

FIG. 5 is a side view of the embodiment shown in FIG. 1;

FIG. 6 is another side view of the embodiment shown in FIG. 1 showing the marker held in a position by magnetic forces; and

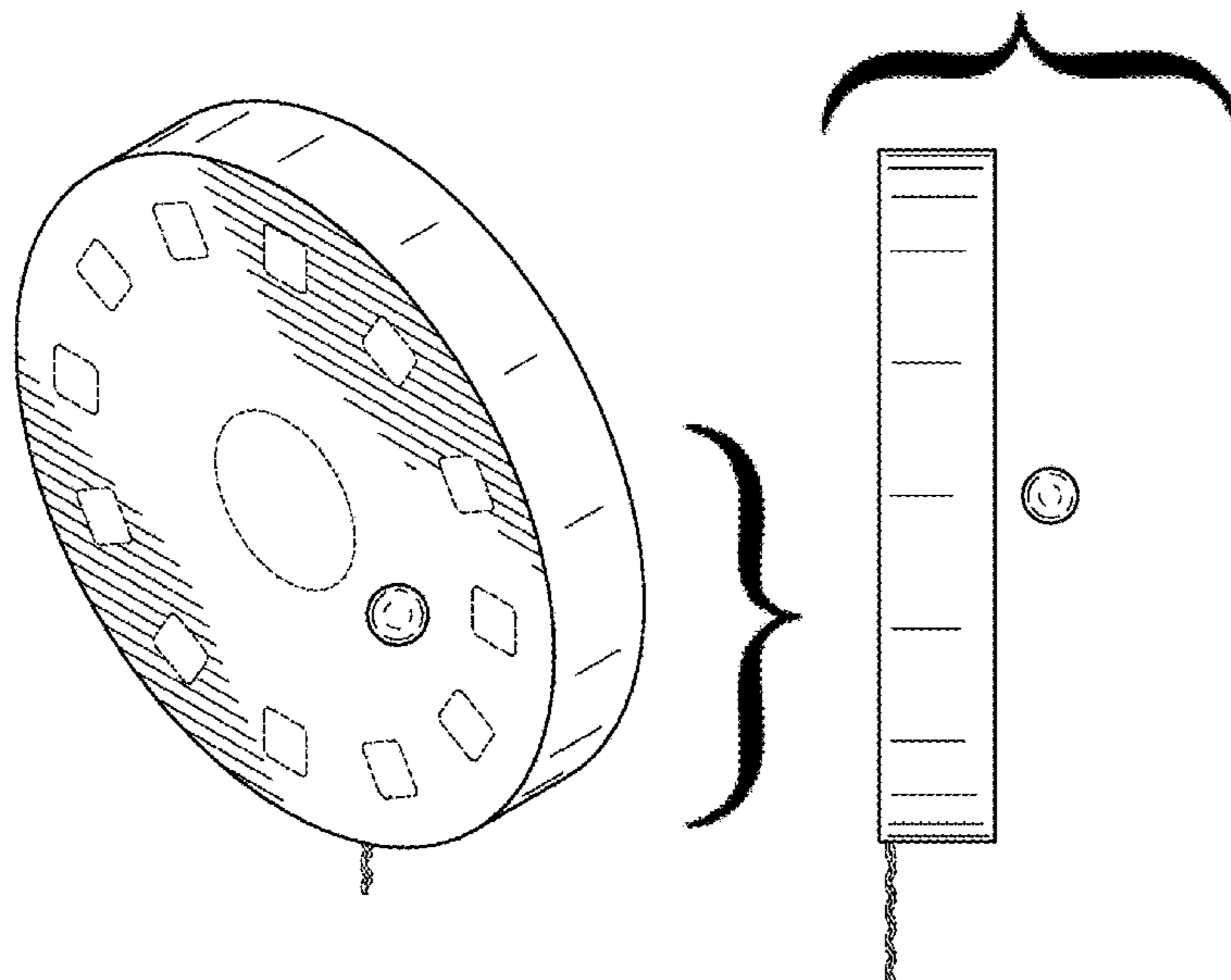
FIG. 7 is another side view of the embodiment shown in FIG. 1 show the marker held in another position by magnetic forces; and

FIG. 8 is a top perspective view of a second embodiment in which the clock has indicia corresponding to a clock at 3, 6, 9, and 12 positions; and,

FIG. 9 is a top perspective view of a third embodiment in which the clock has a lighting panel or LED display panel.

The broken lines in the drawings depict numbers, a cord, indicia on the face of the clock, and an LED display panel, and they form no part of the claimed design.

**1 Claim, 4 Drawing Sheets**



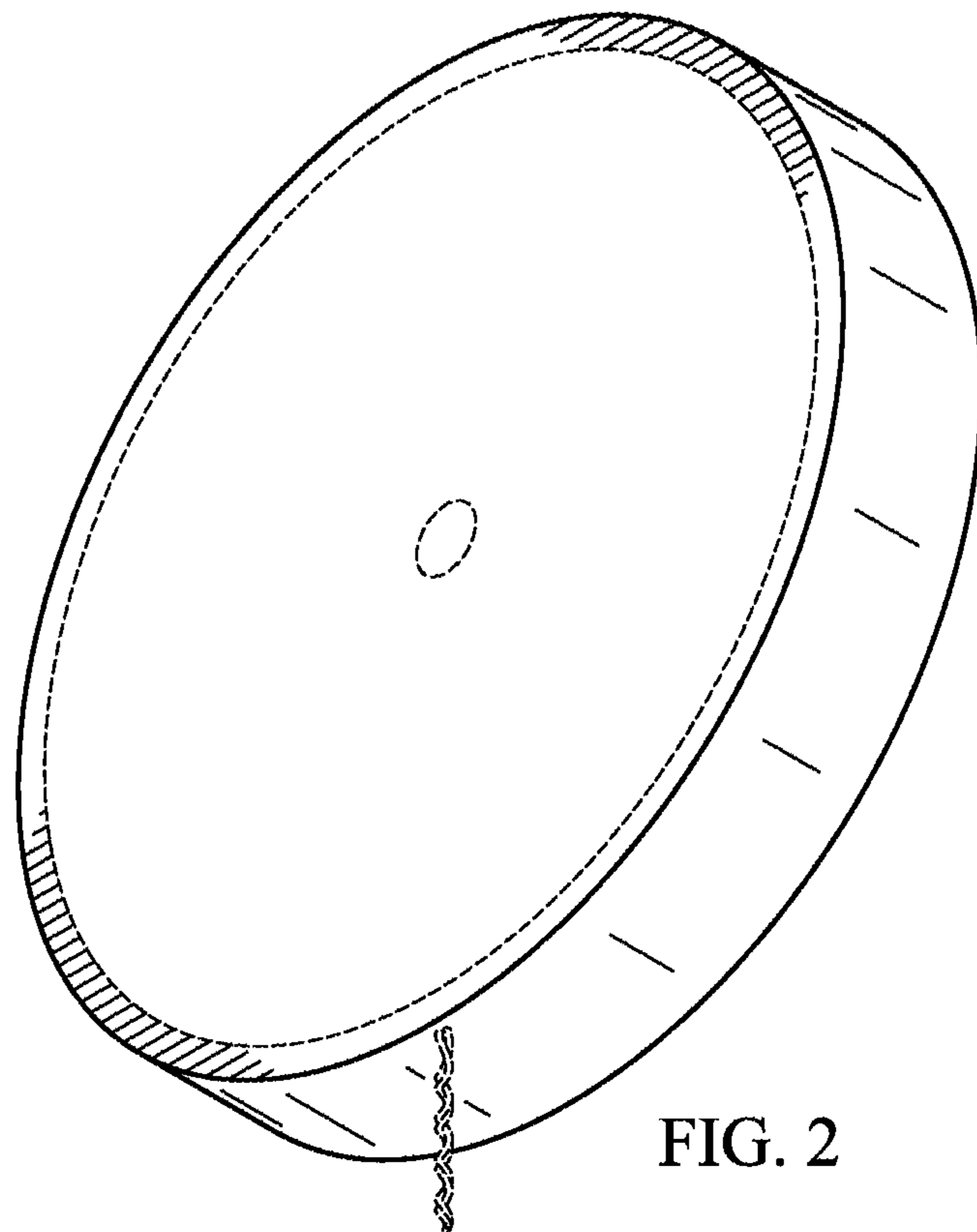
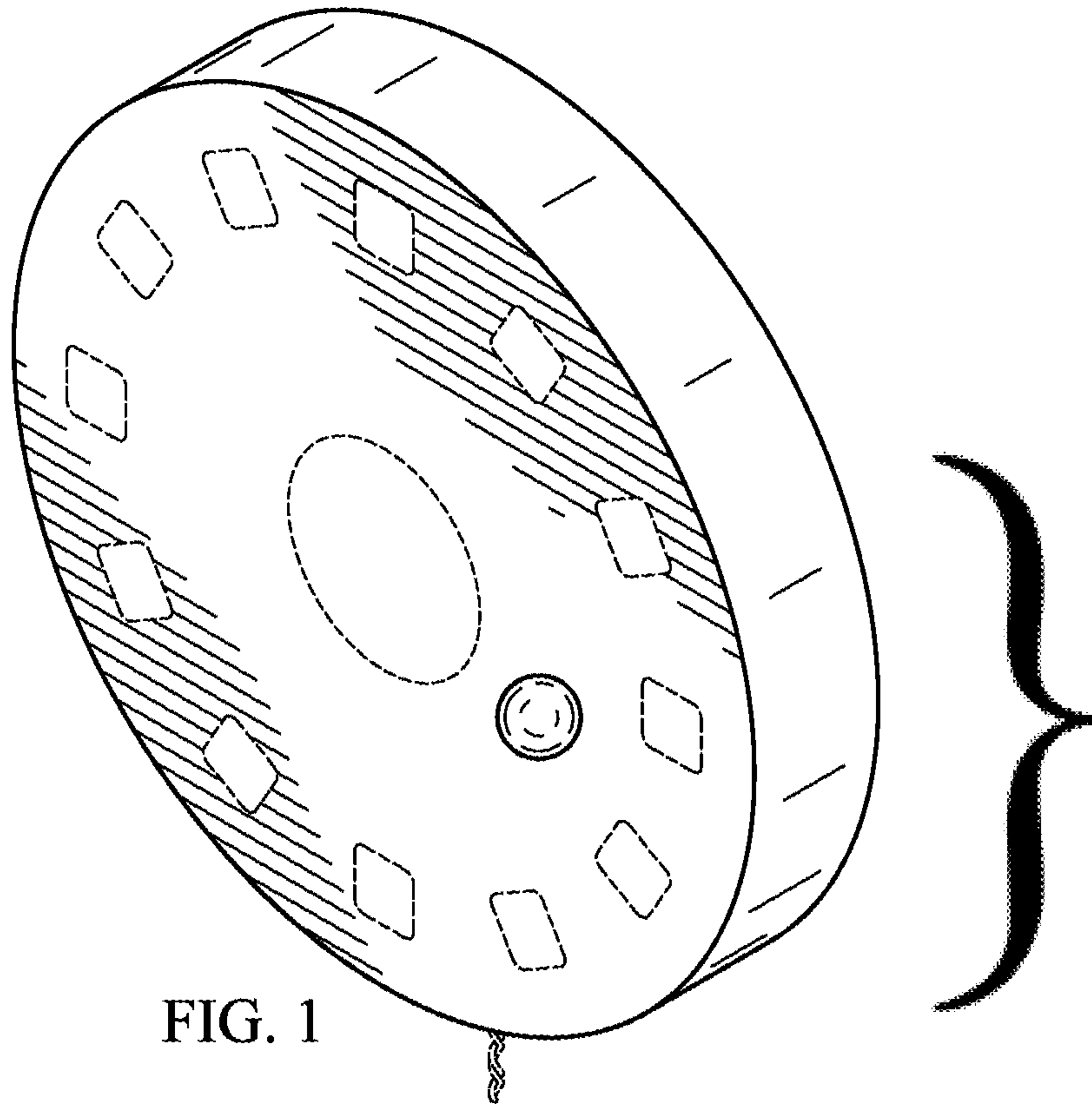
(56)

**References Cited**

## U.S. PATENT DOCUMENTS

D541,672 S \* 5/2007 Brah ..... D10/7  
D543,870 S \* 6/2007 Bhavnani ..... D10/23  
D553,511 S \* 10/2007 Sacca ..... D10/22  
D596,507 S \* 7/2009 Hermanson ..... D10/23  
D601,041 S \* 9/2009 Yadon ..... D10/2  
8,400,883 B2 \* 3/2013 Lin ..... G04C 17/0091  
368/228  
D717,674 S \* 11/2014 Vu ..... D10/65  
D724,958 S \* 3/2015 Daniels ..... D10/15  
D739,284 S \* 9/2015 Vu ..... D10/103  
D739,776 S \* 9/2015 Vu ..... D10/103  
D739,777 S \* 9/2015 Vu ..... D10/103  
D739,778 S \* 9/2015 Vu ..... D10/103  
D761,128 S \* 7/2016 Funk ..... D10/1  
D779,988 S \* 2/2017 Vu ..... D10/103  
D786,724 S \* 5/2017 Seagle, Jr. .... D10/106.1  
D790,372 S \* 6/2017 Daoura ..... D10/104.1  
D796,355 S \* 9/2017 Cho ..... D10/70  
D804,531 S \* 12/2017 Beck ..... D14/496  
D817,793 S \* 5/2018 Vu ..... D10/70  
D830,856 S \* 10/2018 Golnik ..... D10/30

\* cited by examiner



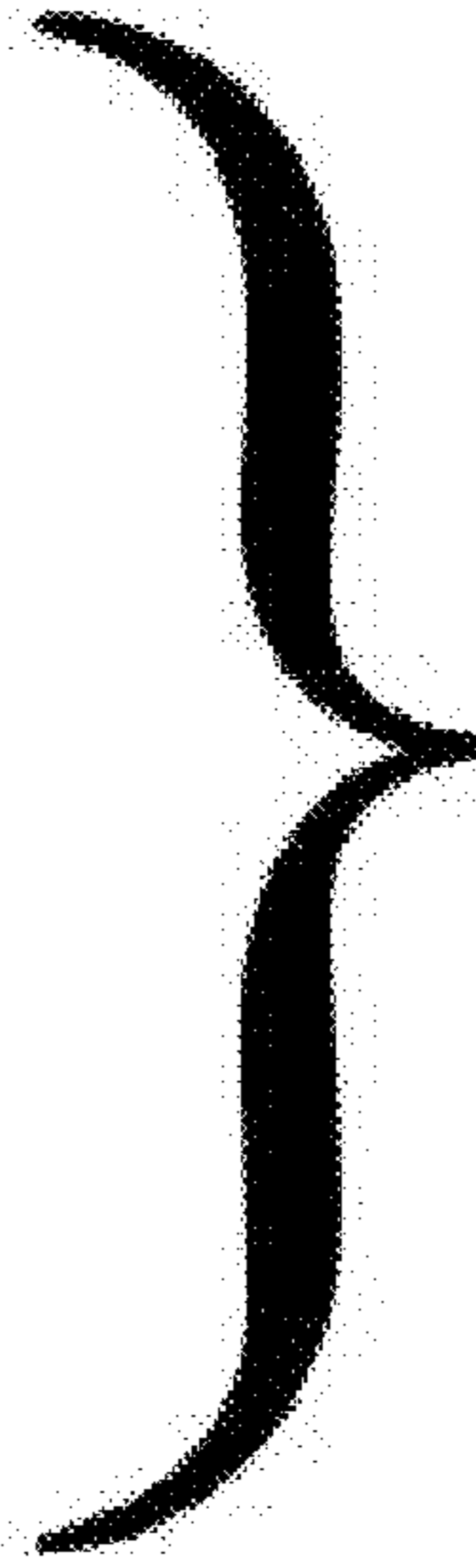
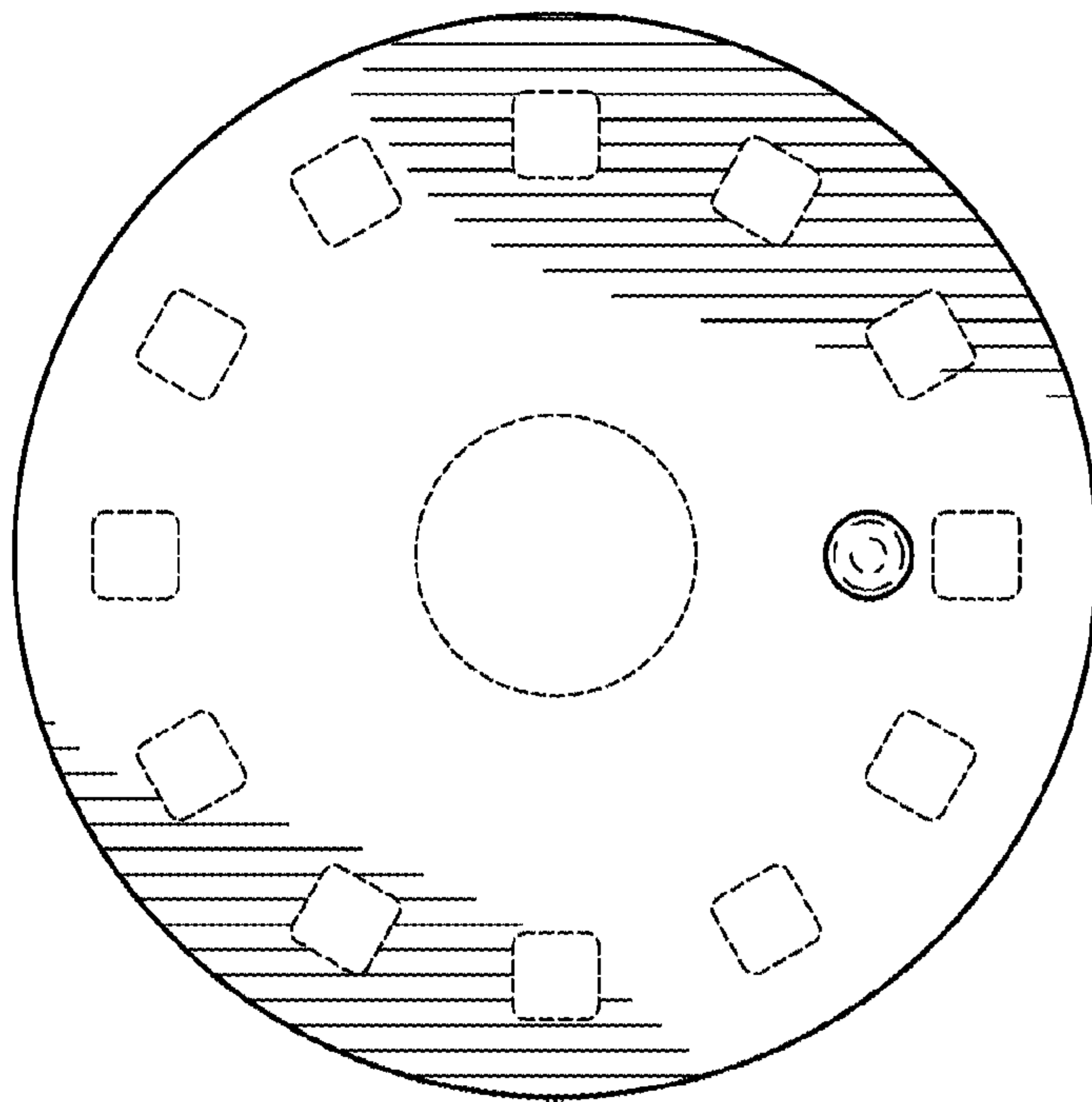


FIG. 3

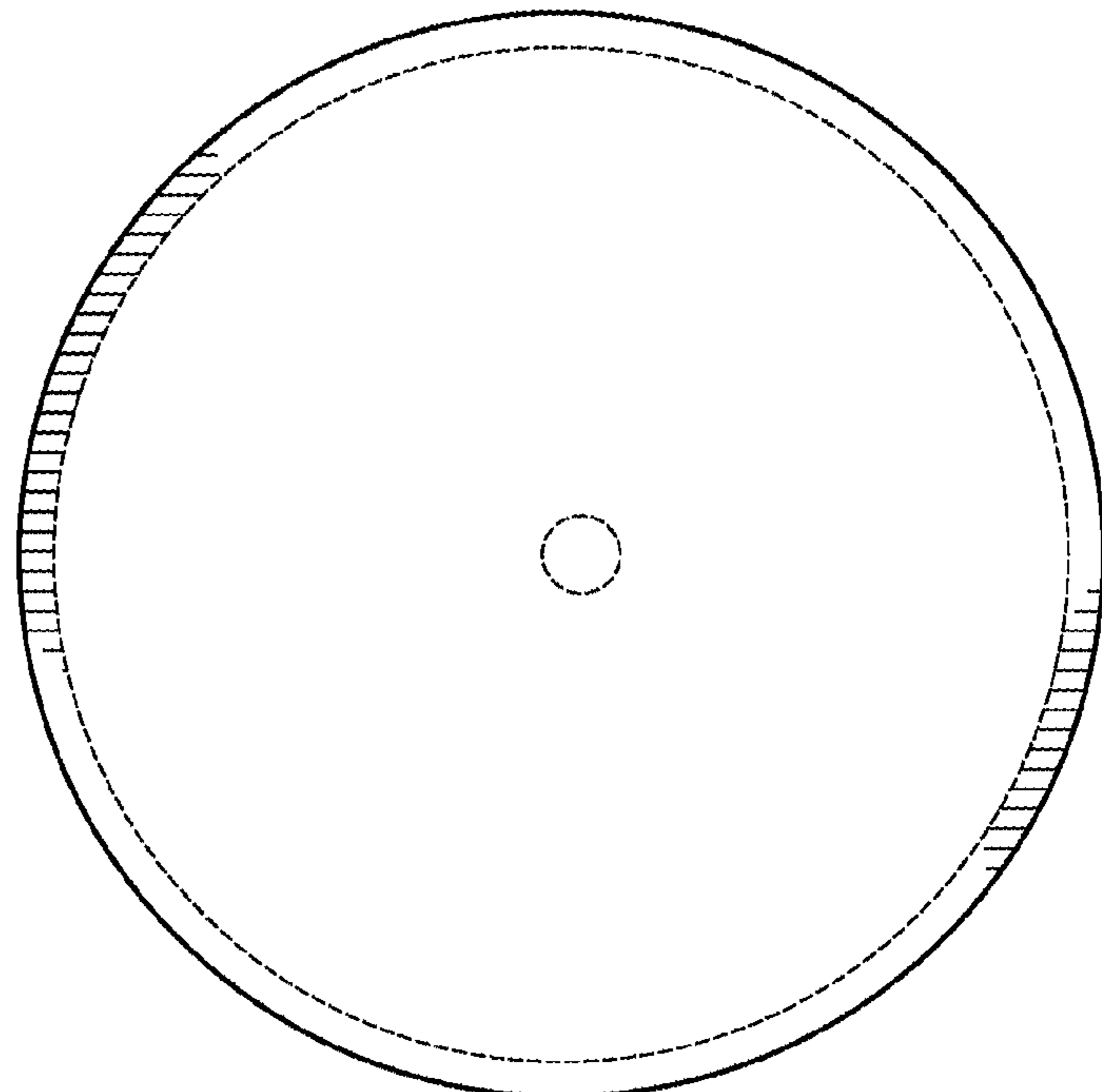


FIG. 4

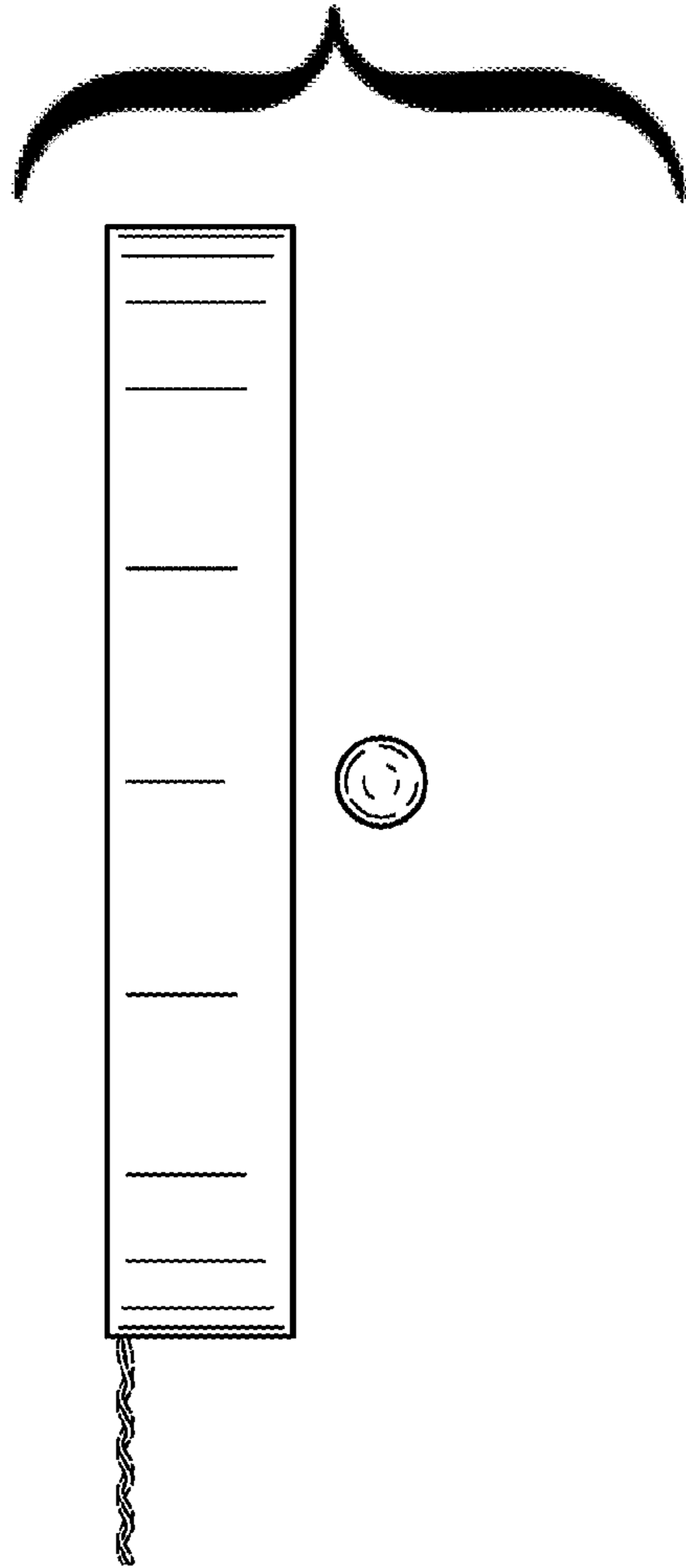


FIG. 5

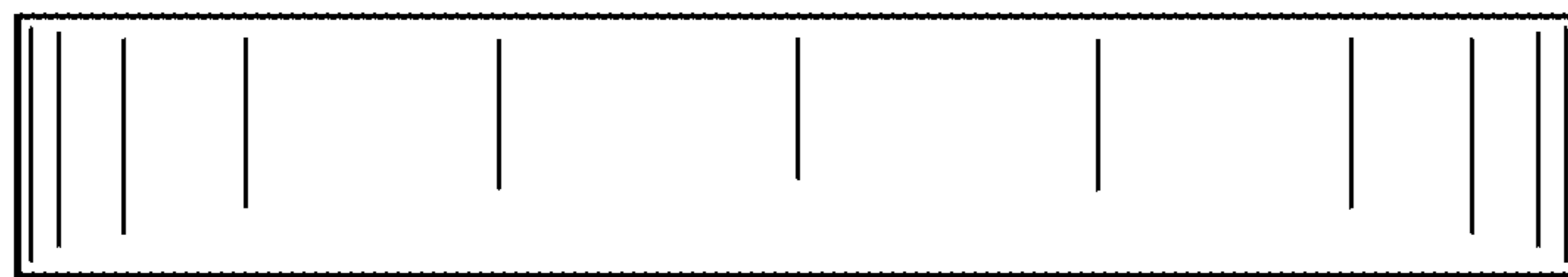


FIG. 6

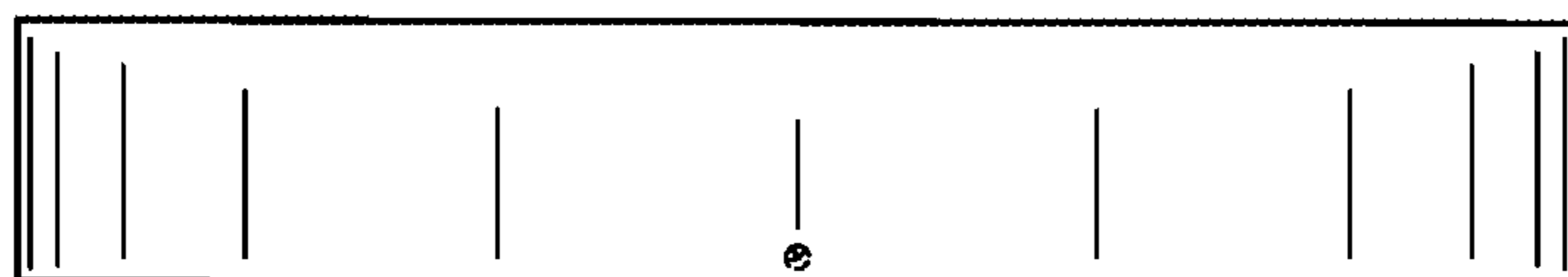


FIG. 7



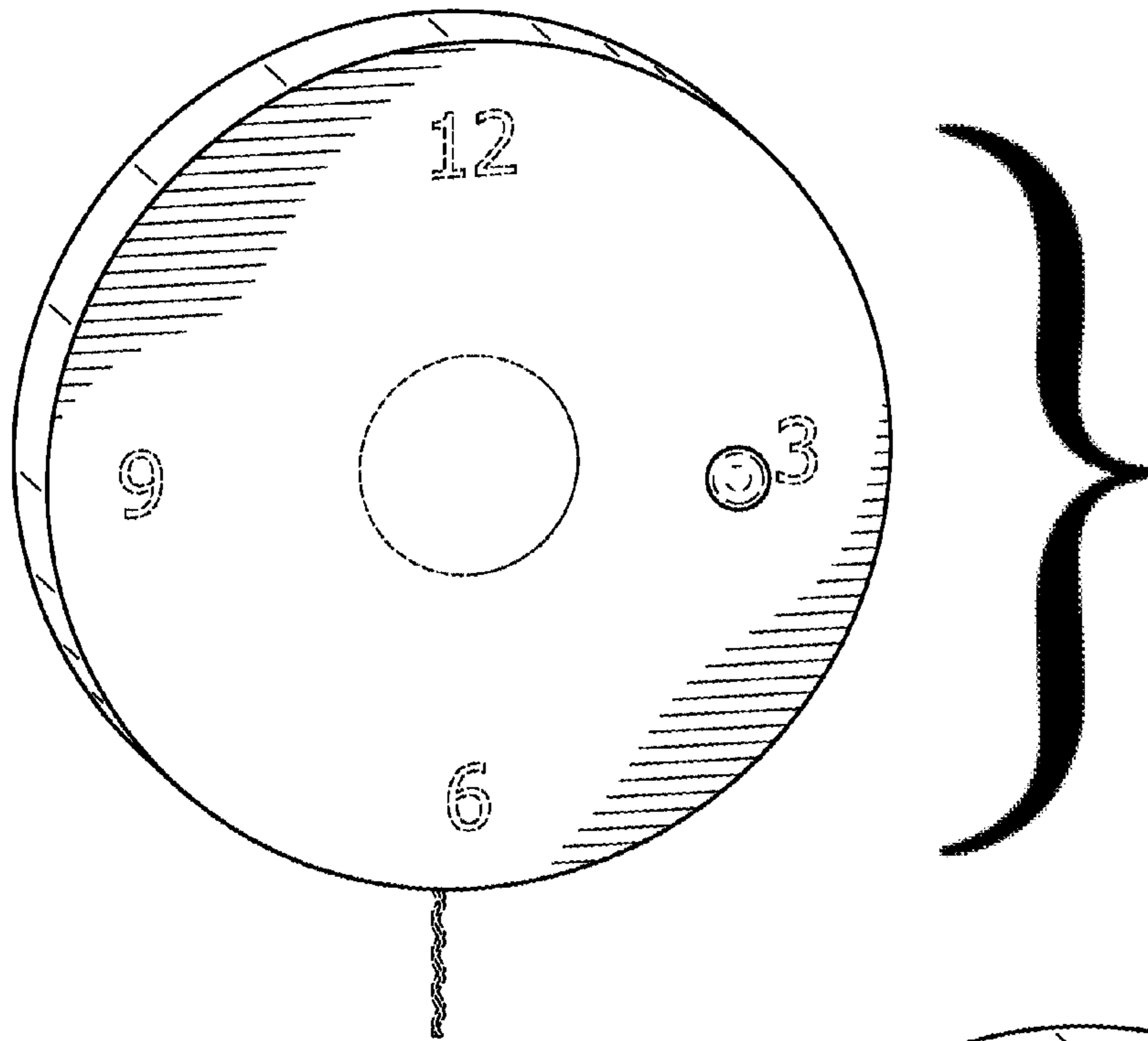


FIG. 8

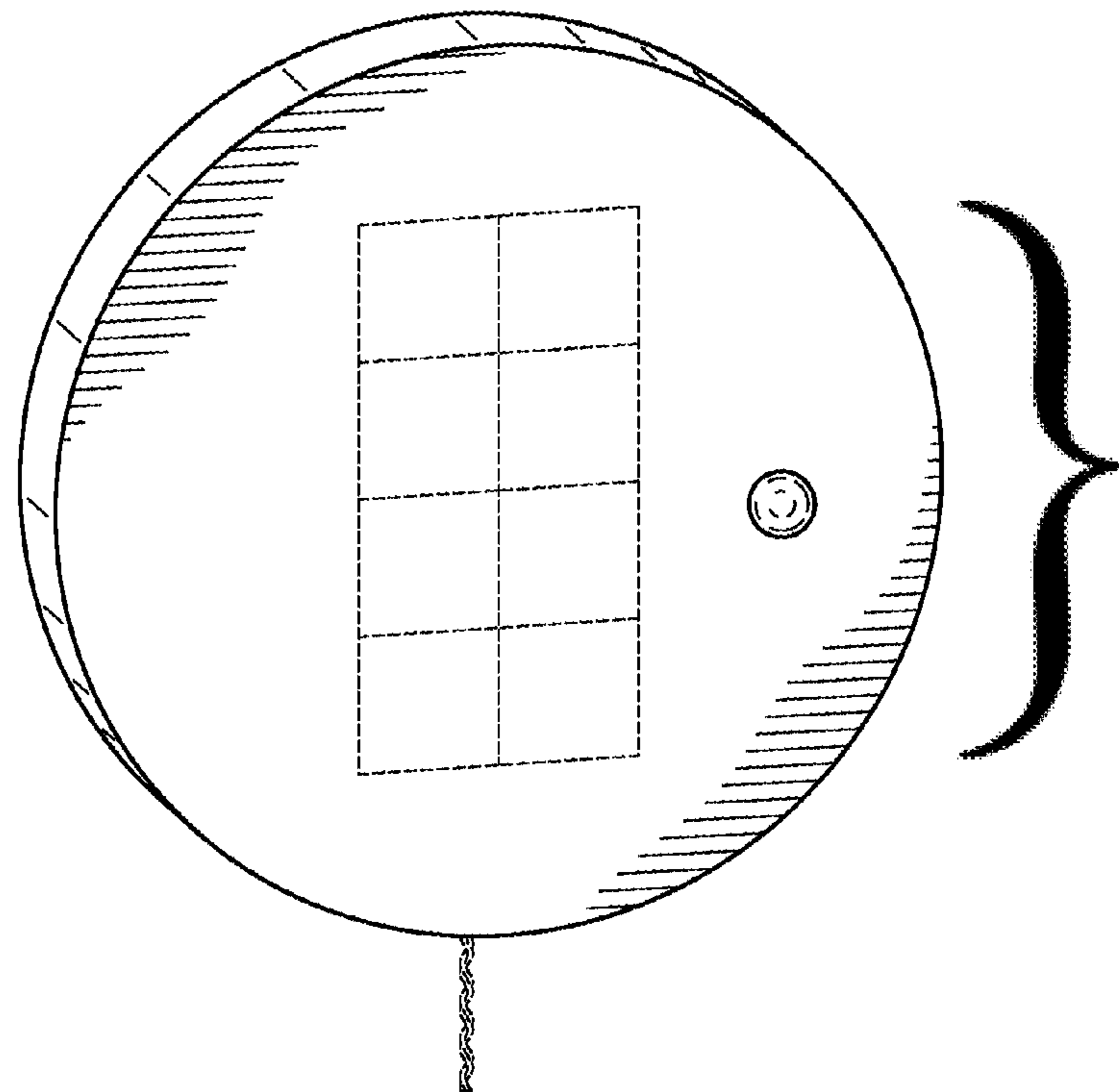


FIG. 9