



US00D885201S

(12) **United States Design Patent** (10) **Patent No.:** **US D885,201 S**
Dominion et al. (45) **Date of Patent:** **** May 26, 2020**

(54) **CONTAINER**

(71) Applicant: **D6 Inc.**, Portland, OR (US)

(72) Inventors: **Ed Dominion**, Portland, OR (US);
Martin Troutd, Wood Village, OR
(US); **Ben McGregor**, Portland, OR
(US)

(73) Assignee: **D6 Inc.**, Portland, OR (US)

(**) Term: **15 Years**

(21) Appl. No.: **29/606,000**

(22) Filed: **May 31, 2017**

(51) **LOC (12) Cl.** **09-03**

(52) **U.S. Cl.**
USPC **D9/737; D7/553.4**

(58) **Field of Classification Search**
USPC D9/341, 347, 414–432, 440, 444, 447,
D9/449, 450–454, 503, 504, 737, 759,
D9/761; D7/672, 601, 550.1, 551.1,
D7/551.2, 551.3, 552.1, 552.2, 553.1,
D7/553.2, 553.3, 553.4, 553.5, 553.7,
D7/553.8, 554.1, 554.3, 555, 557, 602,
D7/629, 630, 538–549, 612–615, 584,
D7/586, 587, 392.1, 709, 502, 608, 622,
D7/701, 703, 543–549, 317–319, 391,
D7/392, 396.2, 510, 511; D3/273,
D3/201–206, 276, 283, 284, 295, 274,
D3/302; D11/143; 249/126, 134;
206/216, 217, 541–550, 518, 557, 558,
206/561, 564, 223, 467; 220/669–673,
220/675, 574–575, 573.1, 4.21, 660, 326,
220/236, 780–806, 4.24, 288, 260, 266,
220/306, 352, 356, 523, 23.8, 23.2, 23.83,
220/23.4, 662, 700, 701, 703, 711,
220/713–715, 719; 426/106; 229/107,
229/406, 120, 125.17; 215/211, 200, 224,
215/243

CPC B65D 1/36; B65D 2543/00194; B65D
2543/00296; B65D 2543/00555; B65D
2581/3425; B65D 25/04; B65D 43/0218;

B65D 2543/00083; B65D 2543/00268;
B65D 2543/00277; B65D 43/16; B65D
51/28; B65D 43/162; B65D 1/24; B65D
21/0237; B65D 2543/00101; A47G 19/02;
A47G 19/065; A47G 23/0608; A47G
23/06

See application file for complete search history.

(56) **References Cited**

U.S. PATENT DOCUMENTS

D185,911 S 8/1959 Chadbourne
4,026,457 A 5/1977 Schubert
(Continued)

OTHER PUBLICATIONS

U.S. Appl. No. 29/605,996, filed May 31, 2017, 13 pages.
(Continued)

Primary Examiner — W. A. Teddy Falloway
(74) *Attorney, Agent, or Firm* — Stoel Rives LLP

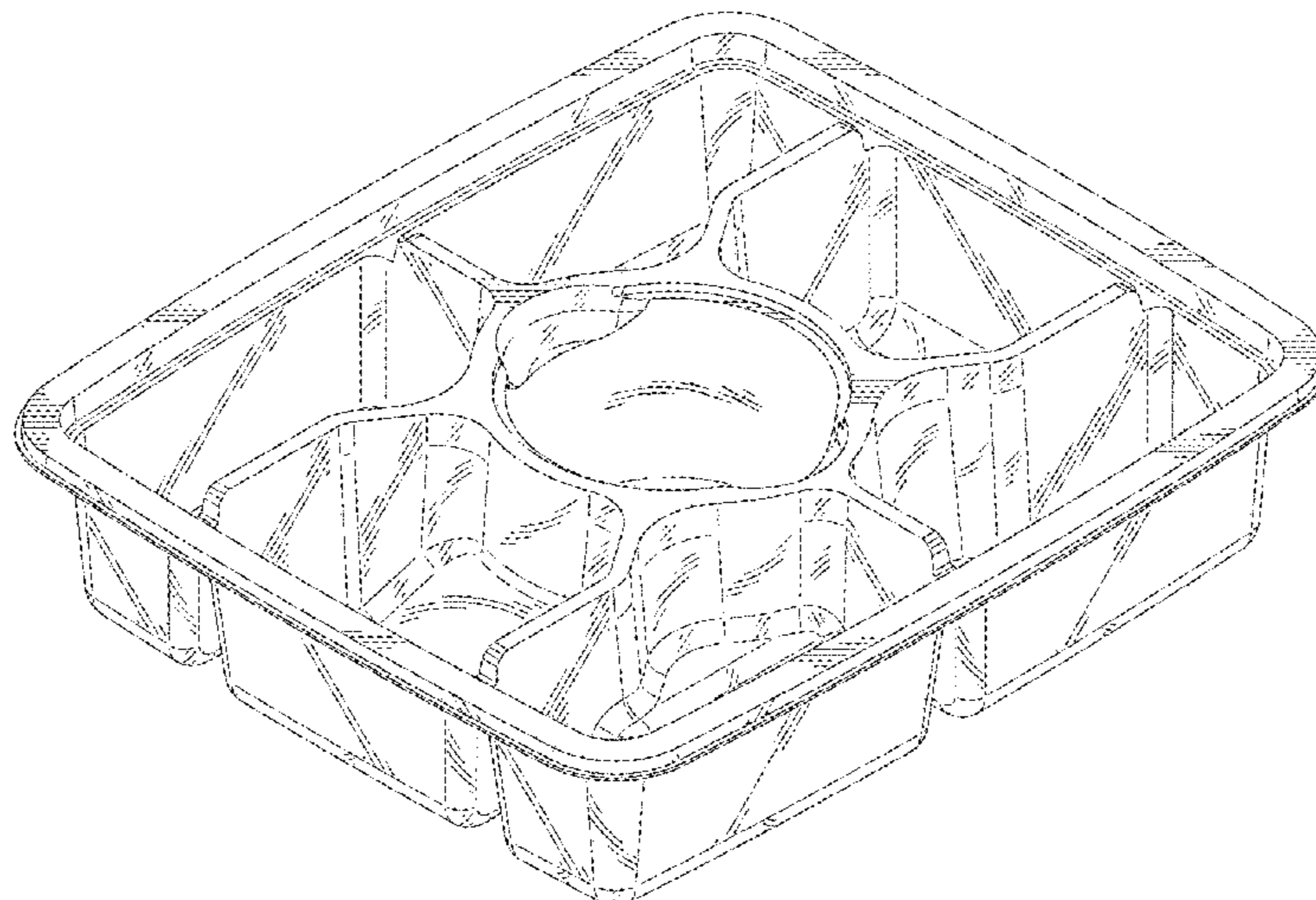
(57) **CLAIM**

The ornamental design for a container, as shown and described.

DESCRIPTION

FIG. 1 is a front, top isometric view of a container according to an embodiment of our new design;
FIG. 2 is a front elevational view of the container of FIG. 1, the rear elevational view being identical thereto;
FIG. 3 is a right elevational view of the container of FIG. 1, the left elevational view being identical thereto;
FIG. 4 is a top plan view of the container of FIG. 1;
FIG. 5 is a bottom plan view of the container of FIG. 1;
FIG. 6 is a bottom isometric view of the container of FIG. 1; and,
FIG. 7 is a top isometric view of the container of FIG. 1.

1 Claim, 6 Drawing Sheets



(56)

References Cited

U.S. PATENT DOCUMENTS

5,497,885 A 3/1996 Sussman
 D414,409 S 9/1999 Sanfilippo
 D482,280 S 11/2003 Pratte
 6,752,288 B1 6/2004 Swift
 D504,326 S 4/2005 Vovan
 D515,939 S 2/2006 Al Sanea
 7,017,774 B2 3/2006 Haedt
 7,083,818 B2 8/2006 Pratte
 D572,148 S 7/2008 Mangino et al.
 7,874,449 B1 1/2011 Studee
 D647,807 S 11/2011 Golota et al.
 D653,963 S 2/2012 Golota
 D695,077 S 12/2013 Chase
 D698,665 S 2/2014 Sifuentes
 D698,666 S 2/2014 Sifuentes
 D698,667 S 2/2014 Snedden
 D723,391 S 3/2015 Snedden
 D729,588 S 5/2015 Breton
 D731,248 S 6/2015 Breton
 D734,098 S 7/2015 Breton
 D737,633 S 9/2015 Breton
 D747,151 S 1/2016 Liming
 D802,368 S 11/2017 Peng

D839,752 S * 2/2019 Dominion D9/759
 2009/0092738 A1 4/2009 Shew
 2013/0081361 A1 4/2013 Miros

OTHER PUBLICATIONS

U.S. Appl. No. 29/605,994, filed May 31, 2017, 13 pages.
 U.S. Appl. No. 29/605,992, filed May 31, 2017, 14 pages.
 U.S. Appl. No. 29/605,997, filed May 31, 2017, 15 pages.
 U.S. Appl. No. 29/605,998, filed May 31, 2017, 15 pages.
 U.S. Appl. No. 29/605,999, filed May 31, 2017, 8 pages.
 7 Compartment Party Tray, Available Apr. 29, 2018, online site visited Apr. 29, 2018, available from internet <URL> <https://www.brenmarco.com/product7-compartment-party-tray>, 2018.
 Cafeteria Mess Trays, Available Nov. 29, 2017, online site visited Apr. 29, 2018, available from internet <URL>: https://www.amazon.com/Cafeteria-16-inch-11-inch-rectangular-6-compartment/dp/B077TD55CC/ref=sr_1_5?ie=UTF8&qid=1525060652&sr=8-5keywords=divided+tray, 2017.
 Pack a Healthy and Yummy Lunch that Your Picky Eater will Actually Enjoy, Available Jun. 6, 2013, visited online site Apr. 29, 2018, available from internet <URL> <https://www.yumboxlunch.com/blog/feeding/2013/06/pack-a-healthy-lunch-that-your-picky-eater-will-actually-enjoy/>, 2013.

* cited by examiner

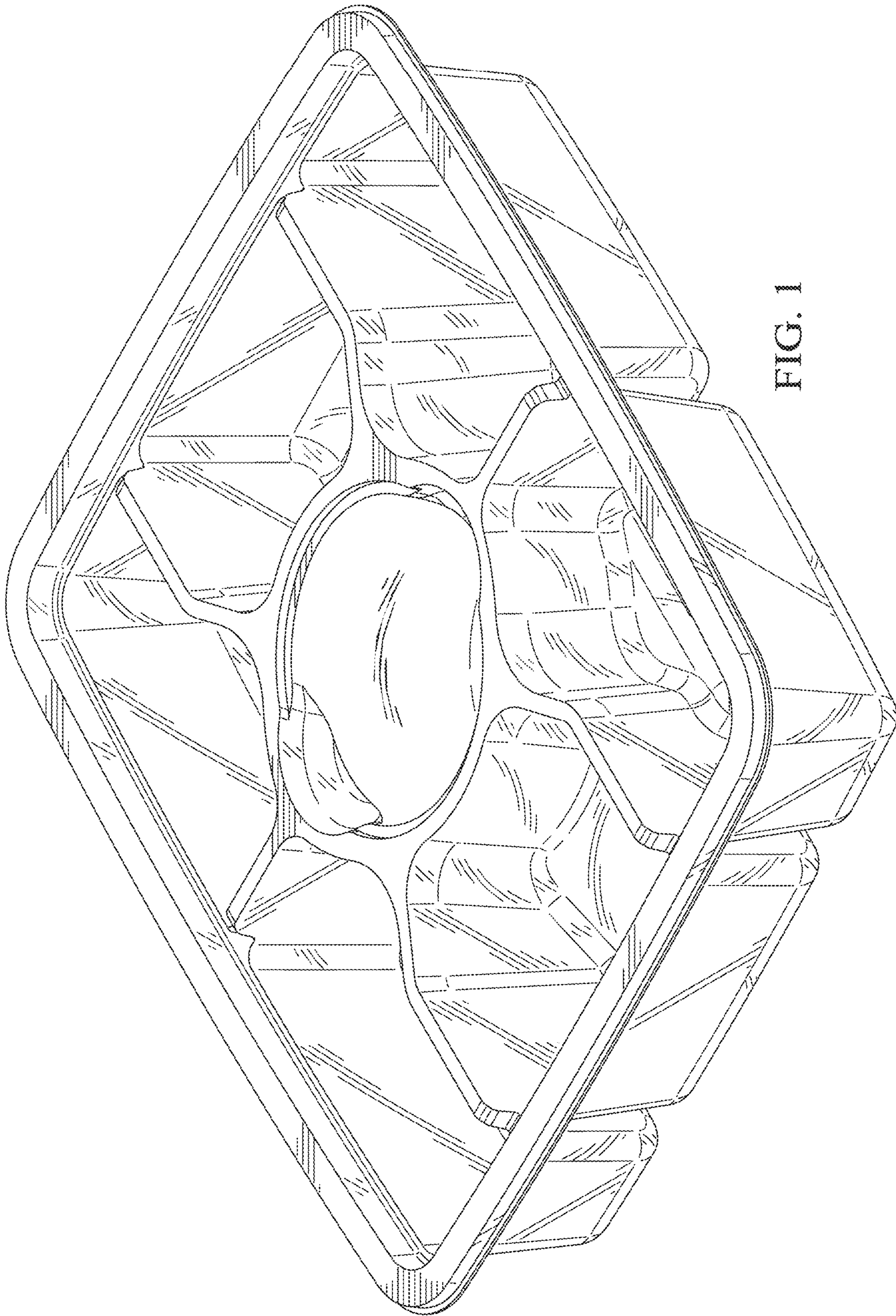


FIG. 1

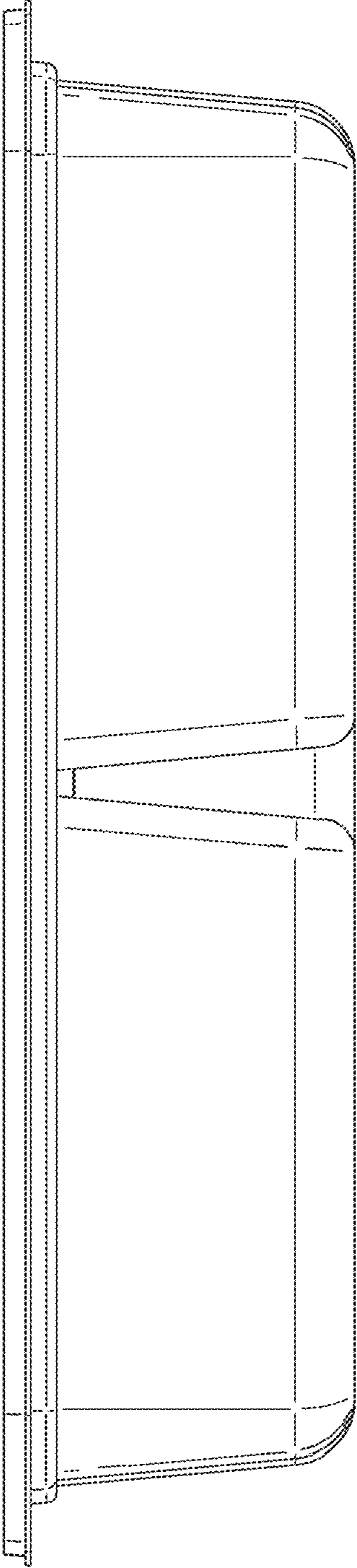


FIG. 2

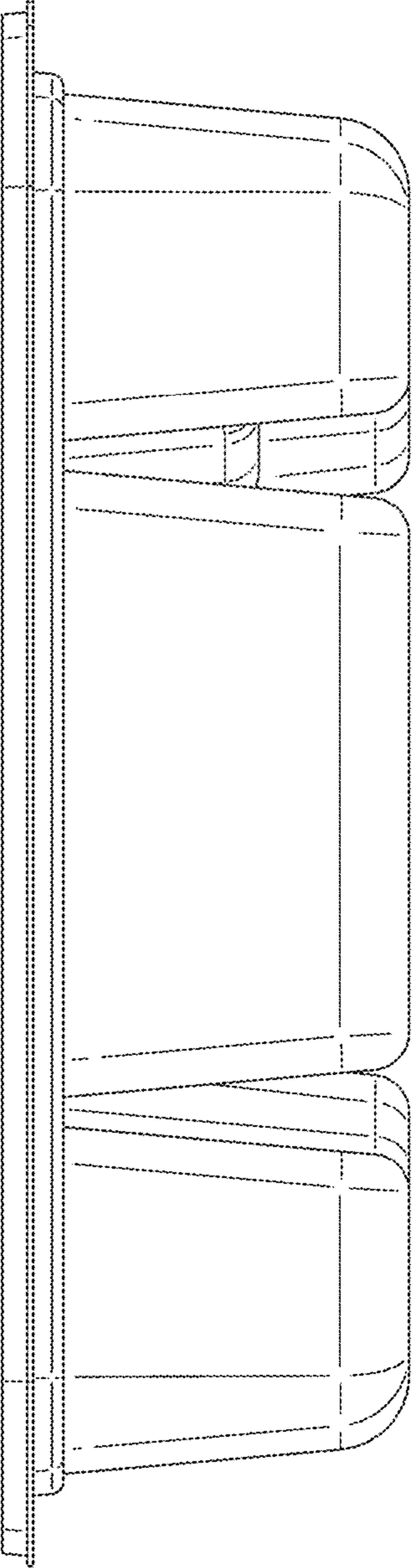


FIG. 3

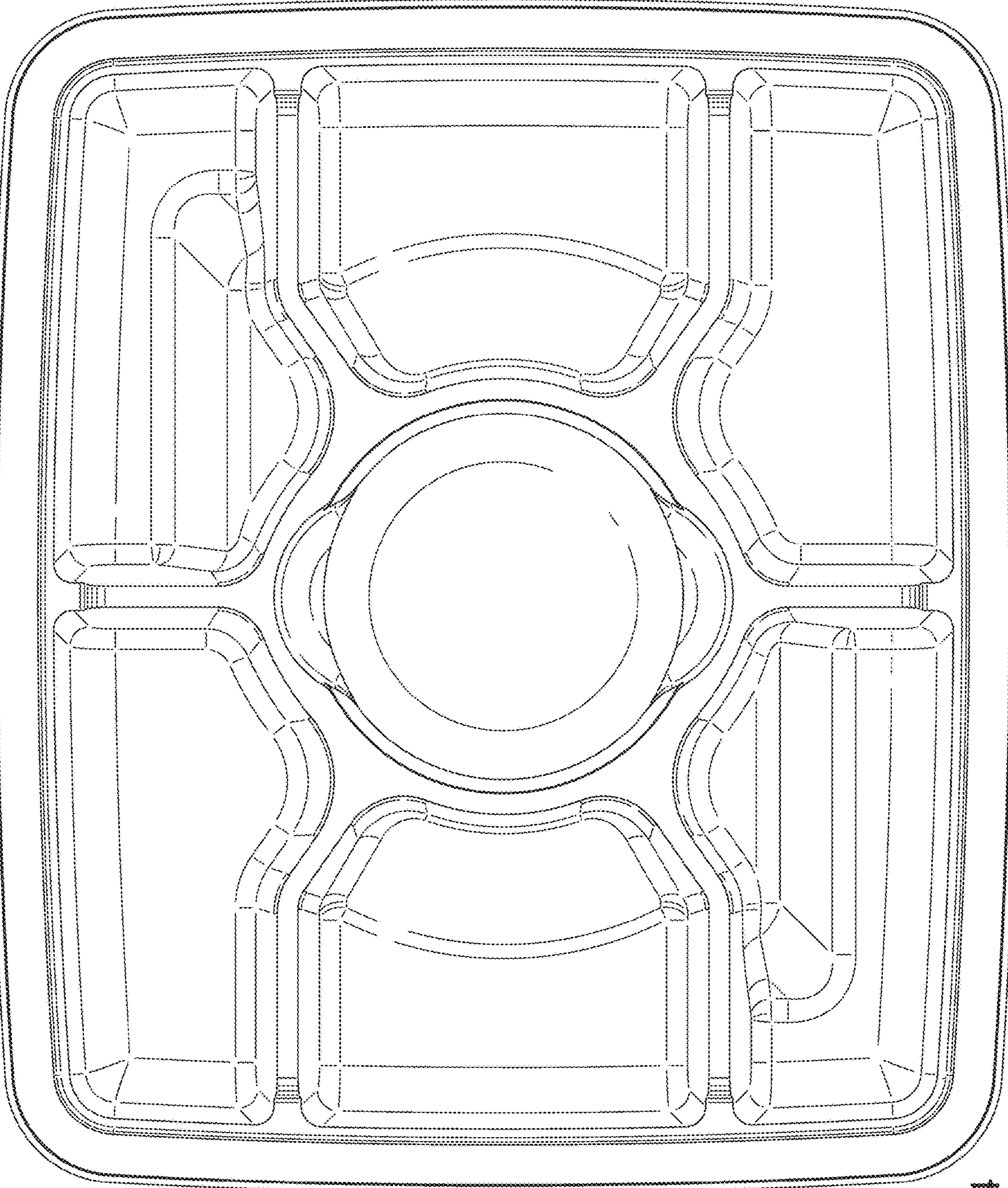


FIG. 4

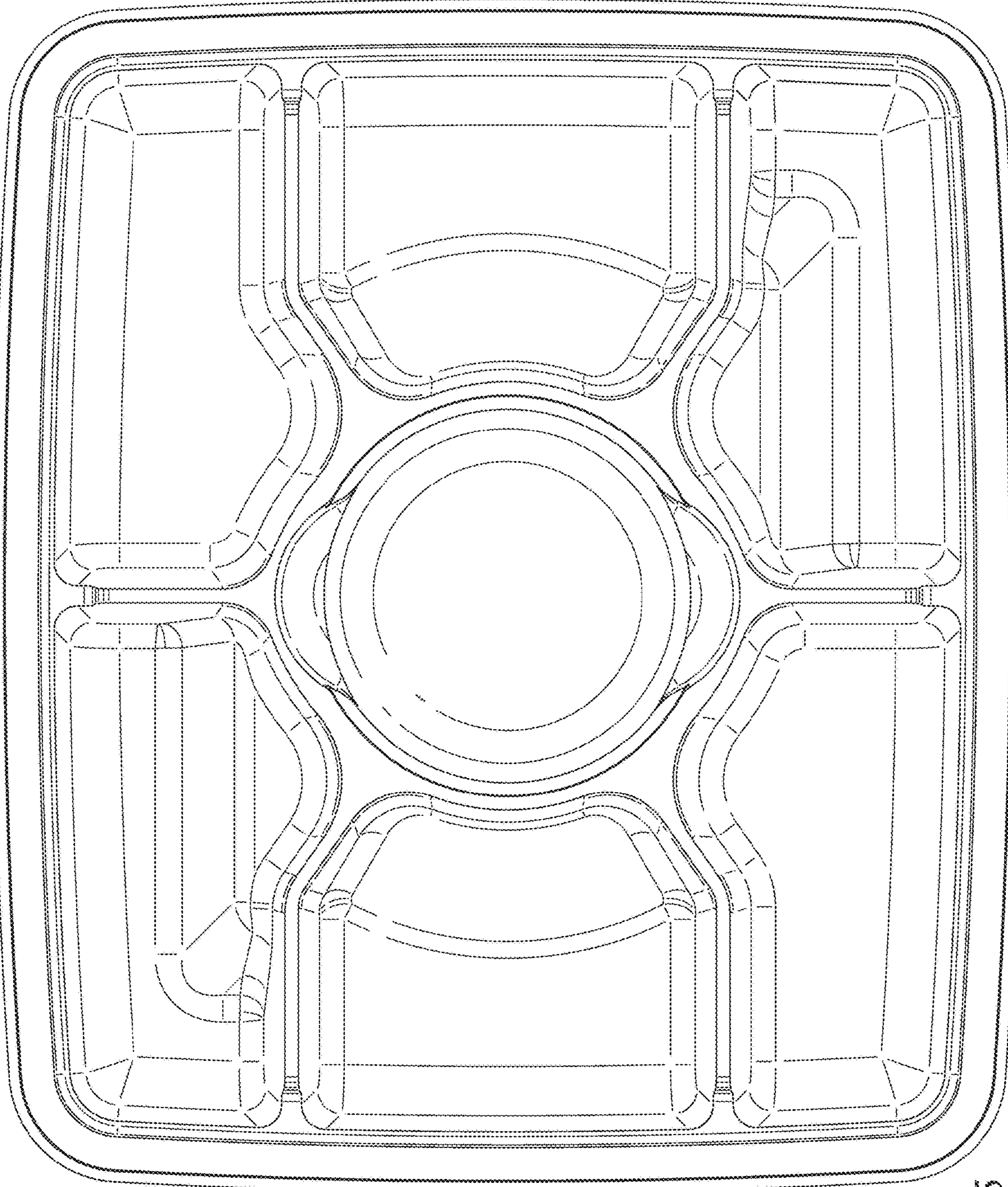


FIG. 5

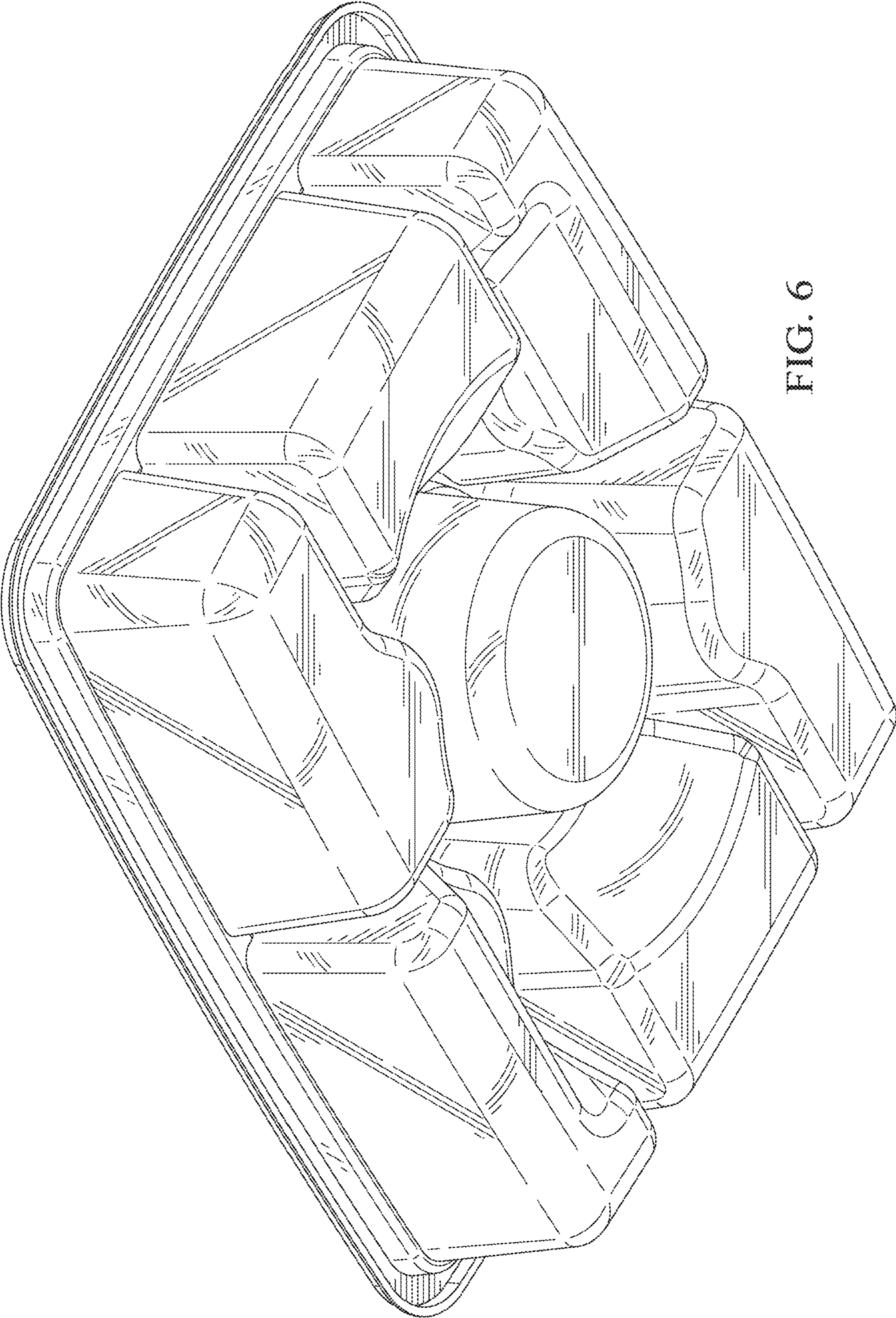


FIG. 6

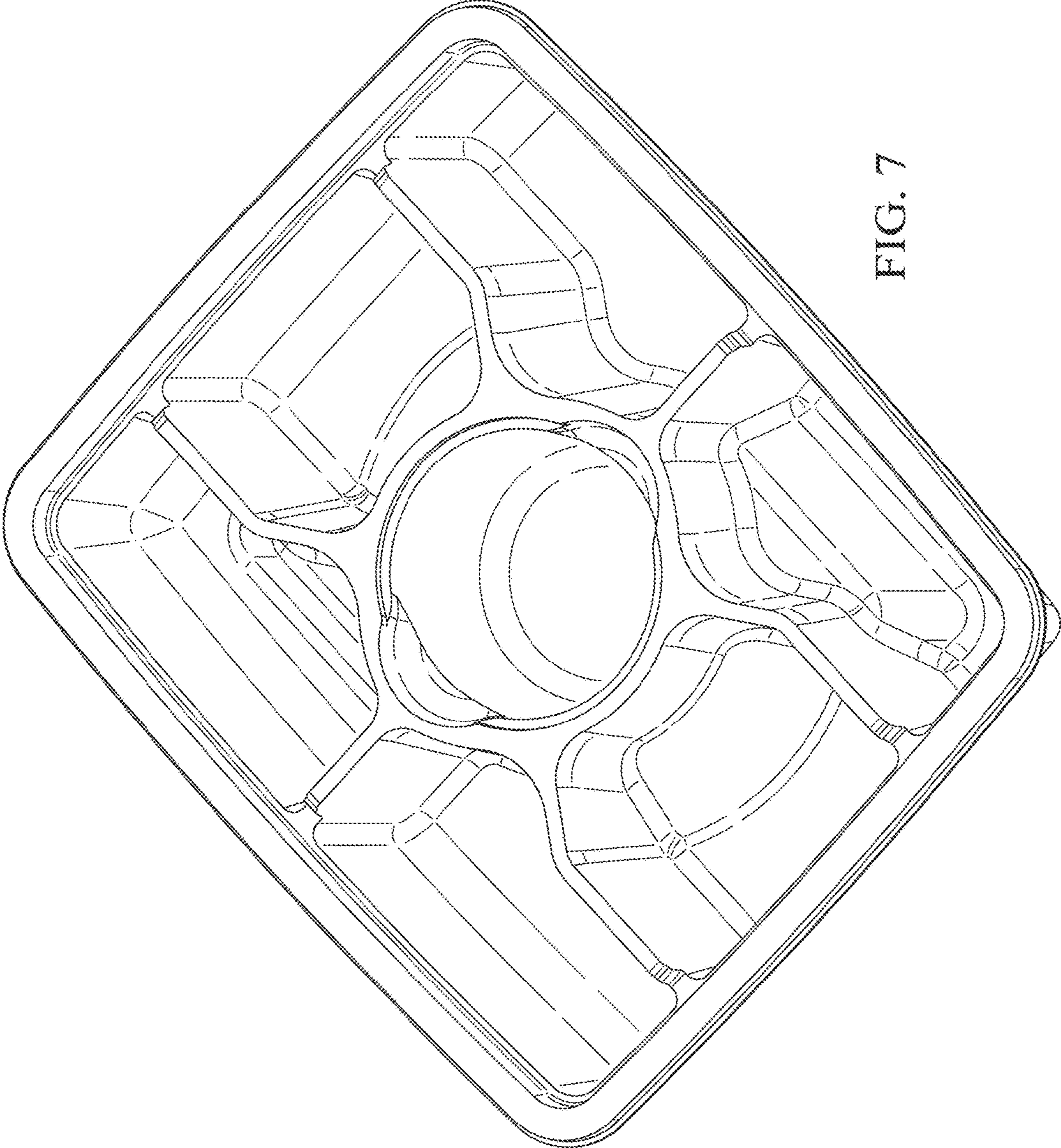


FIG. 7