



US00D885200S

(12) **United States Design Patent** (10) **Patent No.:** **US D885,200 S**
Moore (45) **Date of Patent:** **** May 26, 2020**

(54) **FOAM SHEET WRAPPER**

(71) Applicant: **Anthony T. Moore**, Rock Hill, SC (US)

(72) Inventor: **Anthony T. Moore**, Rock Hill, SC (US)

(**) Term: **15 Years**

(21) Appl. No.: **29/658,044**

(22) Filed: **Jul. 27, 2018**

(51) **LOC (12) Cl.** **09-05**

(52) **U.S. Cl.**
USPC **D9/713**

(58) **Field of Classification Search**
USPC D9/501-504, 723-724, 702-714,
D9/695-699, 435, 440, 454, 544;
132/317-318, 297, 320; D3/206;
222/92, 96, 107, 527-529; 401/72, 68,
401/17-19; 206/438, 823; 428/34.1;
D11/146; D28/76, 82, 4, 7, 85-90;
220/890, DIG. 7

CPC B65D 11/00; B65D 11/04; B65D 11/02;
B65D 35/02; B65D 35/04; B65D 35/08;
B65D 35/28; B65D 35/36; B65D 35/38;
B65D 25/40; B65D 25/42; B65D 25/44;
B65D 25/48; B65D 39/00; B65D
39/0023; B65D 39/04; B65D 39/08

See application file for complete search history.

(56) **References Cited**

U.S. PATENT DOCUMENTS

D339,868 S *	9/1993	Garren	D24/222
D616,608 S *	5/2010	Maddy	D28/76
D643,307 S *	8/2011	Arinsmier	D9/722
D781,716 S *	3/2017	O'Connell	D9/696

* cited by examiner

Primary Examiner — Abraham Bahta

(74) *Attorney, Agent, or Firm* — Sanchelima & Associates, P.A.; Christian Sanchelima; Jesus Sanchelima

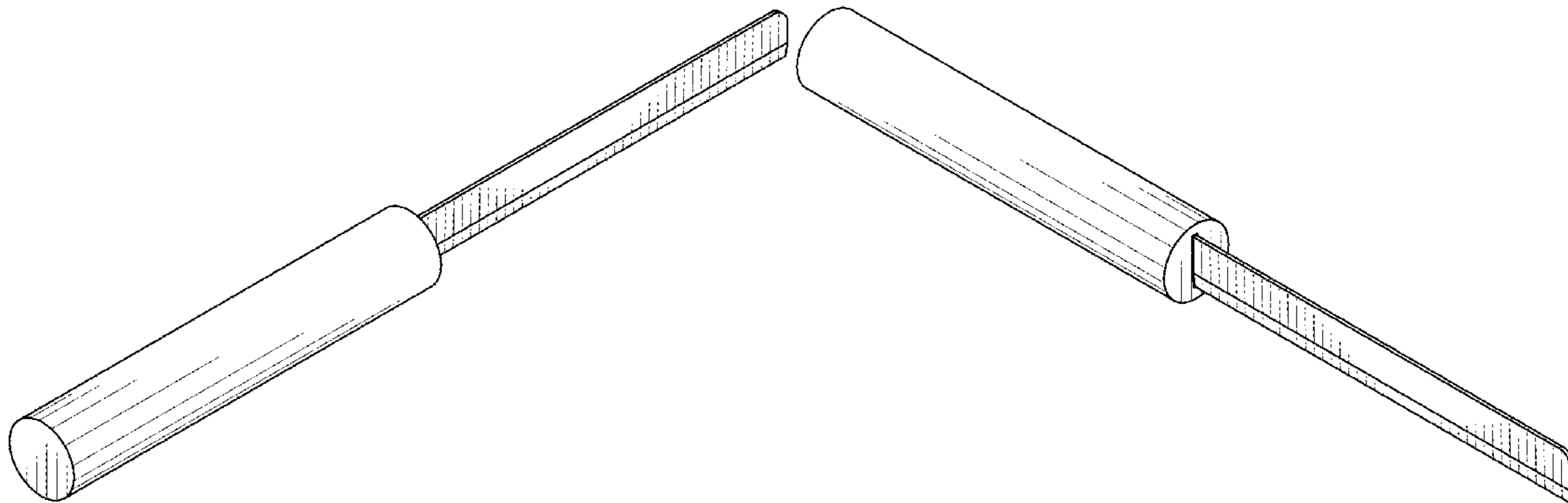
(57) **CLAIM**

The ornamental design for a foam sheet wrapper, as shown and described.

DESCRIPTION

FIG. 1 is an isometric view of a foam sheet wrapper showing my new design;
FIG. 2 is a right side view thereof;
FIG. 3 is a left side view thereof;
FIG. 4 is a rear side view thereof;
FIG. 5 is a front view thereof;
FIG. 6 is a top view thereof;
FIG. 7 is a bottom view thereof showing my design; and,
FIG. 8 is an isometric view of a foam sheet wrapper.

1 Claim, 3 Drawing Sheets



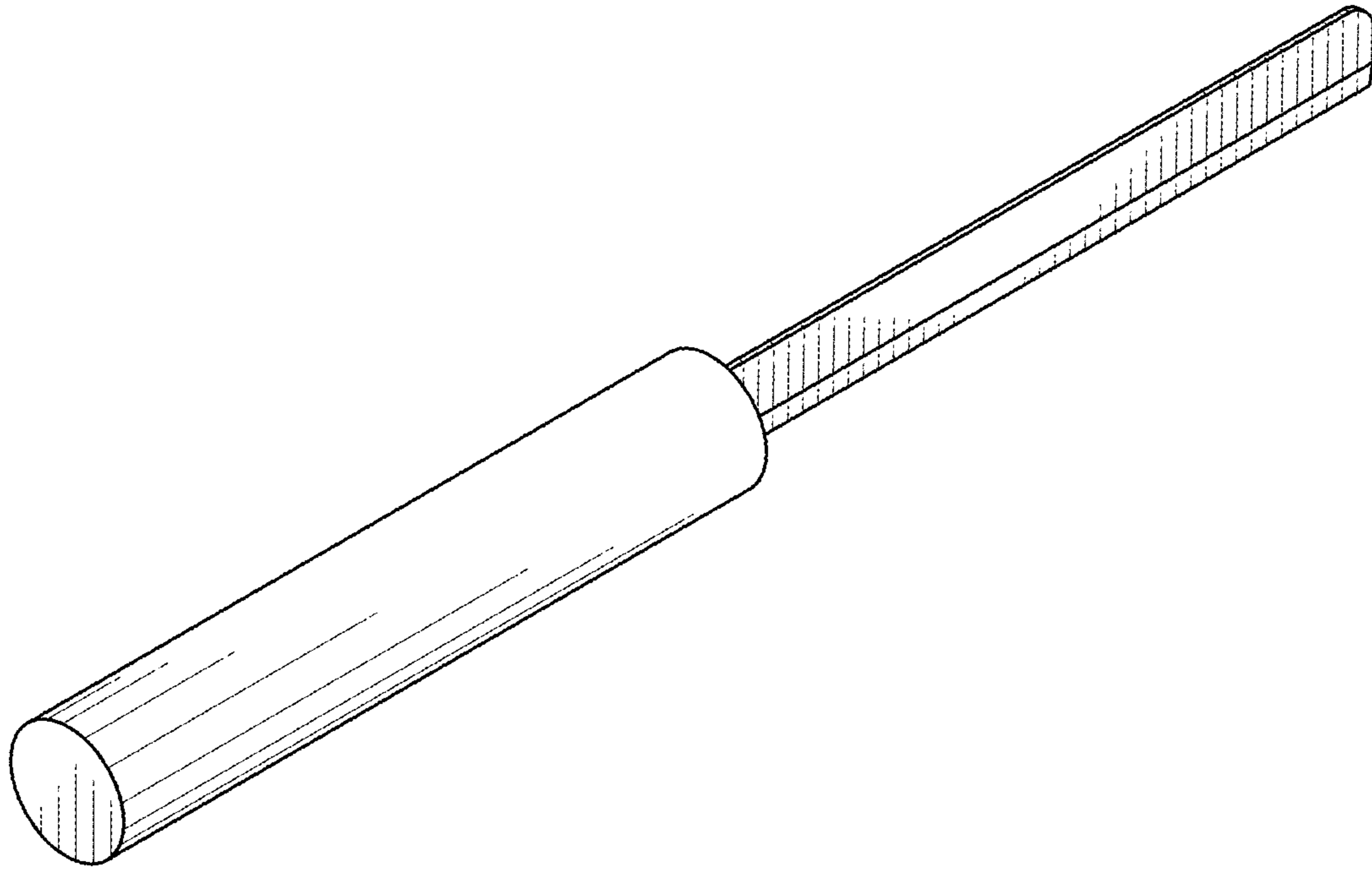


FIG. 1

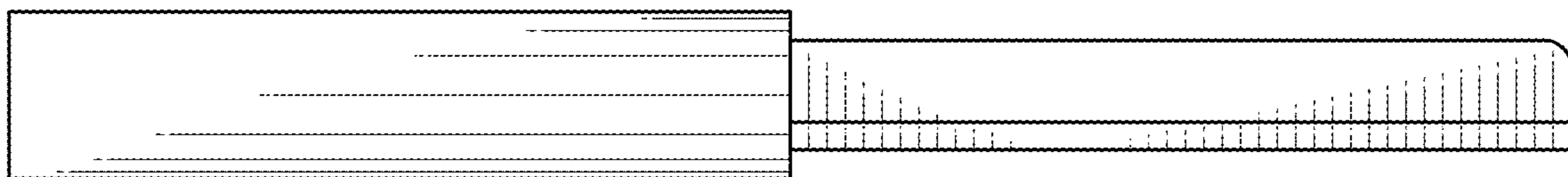


FIG. 2

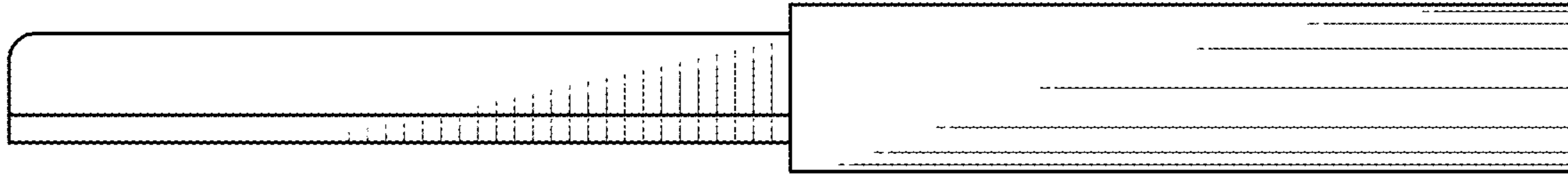


FIG. 3

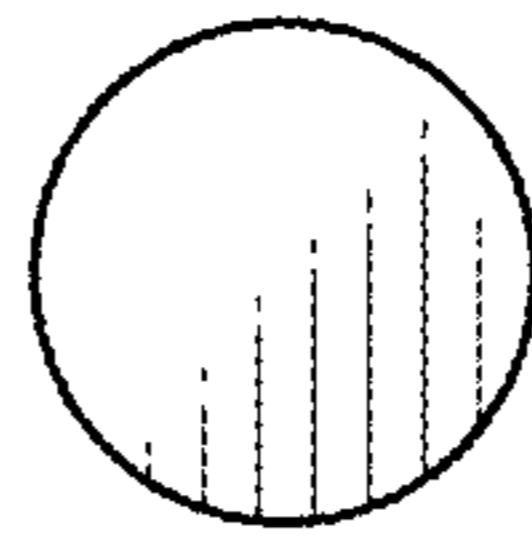


FIG. 4

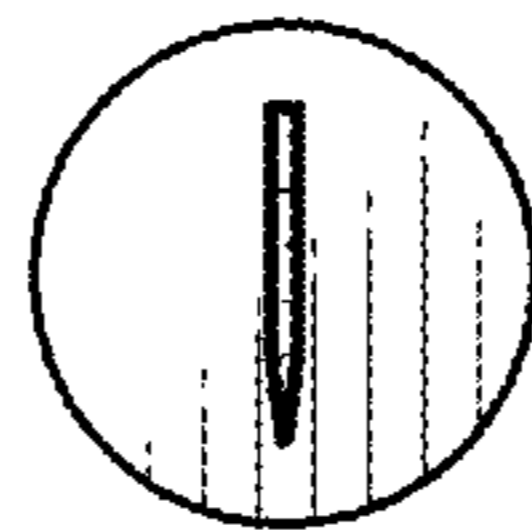


FIG. 5

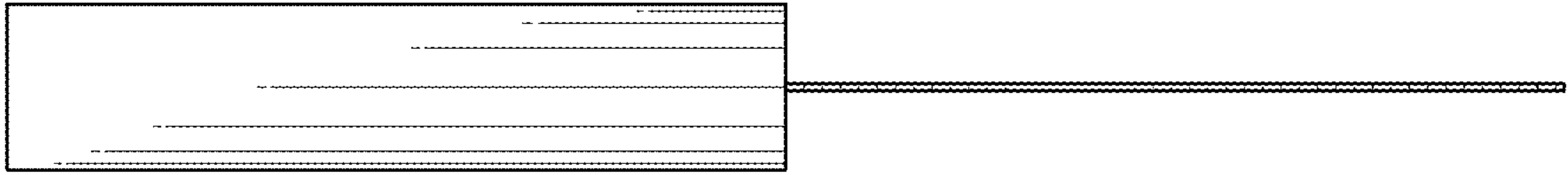


FIG. 6

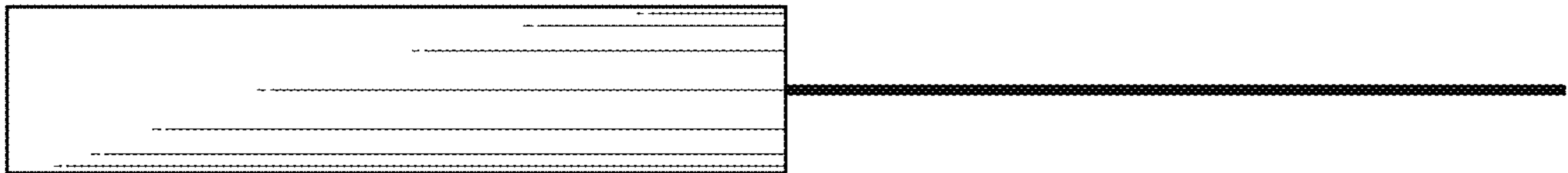


FIG. 7

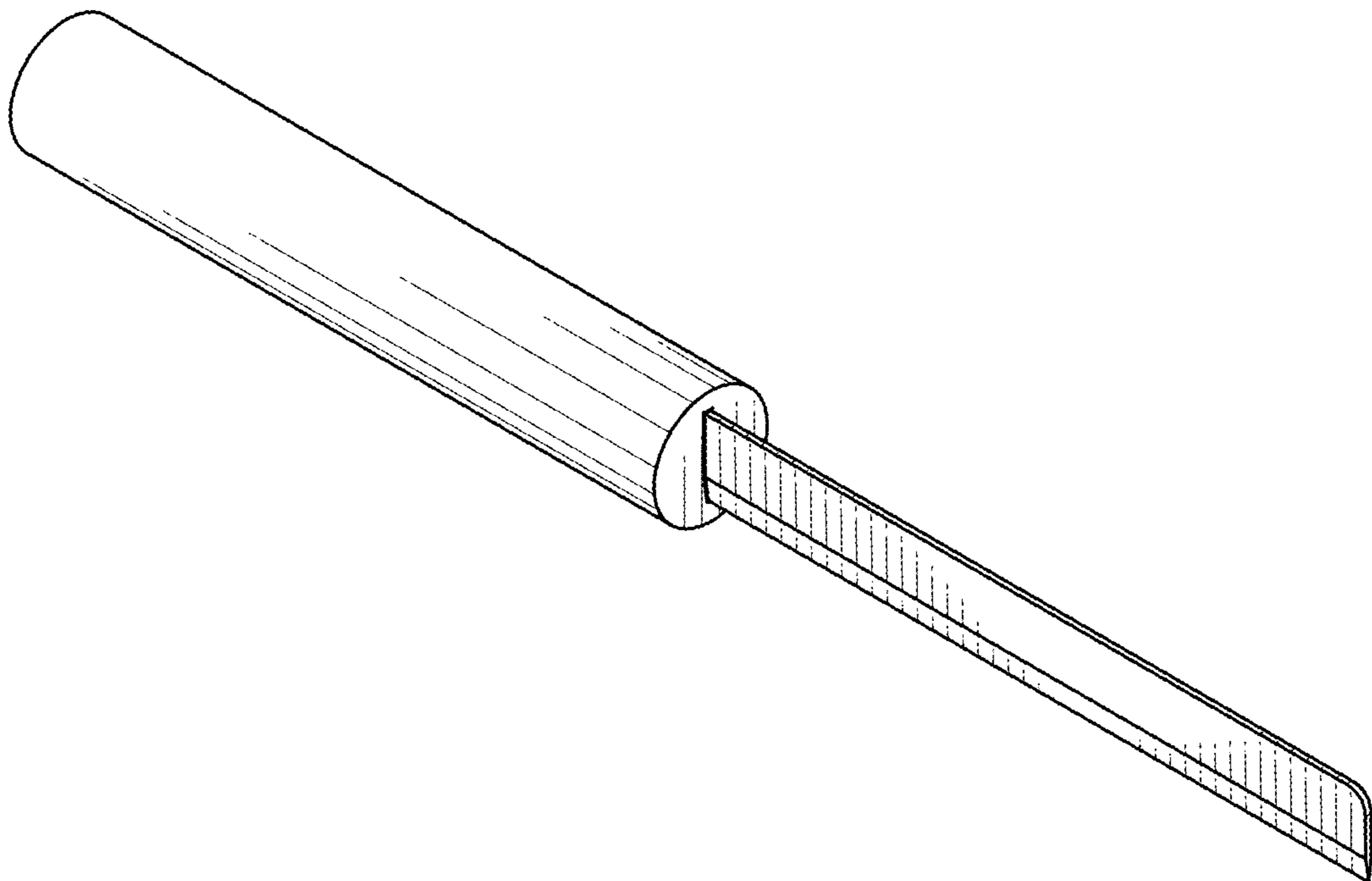


FIG. 8