



US00D885199S

(12) **United States Design Patent** (10) **Patent No.:** **US D885,199 S**
Roesler (45) **Date of Patent:** **** May 26, 2020**

(54) **PACKAGING CONTAINER**

(71) Applicant: **Thiemo Roesler**,
Wangen-Neuravensburg (DE)

(72) Inventor: **Thiemo Roesler**,
Wangen-Neuravensburg (DE)

(73) Assignee: **Rosler IP GmbH** (DE)

(**) Term: **15 Years**

(21) Appl. No.: **29/661,089**

(22) Filed: **Aug. 24, 2018**

(30) **Foreign Application Priority Data**

Feb. 27, 2018 (EM) 004727733

(51) **LOC (12) Cl.** **09-05**

(52) **U.S. Cl.**
USPC **D9/711**

(58) **Field of Classification Search**

USPC D9/702-714, 695-699, 435, 440,
D9/520-521, 454, 544, 723-724, 499,
D9/449, 727-728, 442, 447, 504, 414,
D9/417, 418, 420, 428, 516, 529, 549,
D9/763-783; 222/92, 96, 107, 527-529,
222/215, 491, 206, 212-213, 251, 95,
222/536; 206/438, 822; 220/DIG. 7,
220/669; 215/321, 381, 382, 316, 380;
141/114-115; D28/91.1, 76-78, 82, 88;
D24/114, 216-232; D7/601-602, 591,
D7/529, 527, 549, 624.1-624.3, 629;
D3/202, 205, 203.1, 203.25, 201, 203.2,
D3/273, 294; 422/500, 547, 556
CPC B65D 35/00; B65D 35/28; B65D 35/02;
B65D 35/04; B65D 35/08; B65D 35/36;
B65D 1/00; B65D 1/32; B65D 59/04;
B65D 85/12; B65D 71/36; B65D 83/38;
B65D 83/0805; B65D 83/04; B65D
83/20; B65D 2571/00444; B65D
2571/0045; B65D

(Continued)

(56) **References Cited**

U.S. PATENT DOCUMENTS

D349,240 S * 8/1994 Booten D9/422
D748,813 S * 2/2016 Ishiguro D24/224

(Continued)

Primary Examiner — Abraham Bahta

(74) *Attorney, Agent, or Firm* — Dentons Cohen &
Grigsby P.C.

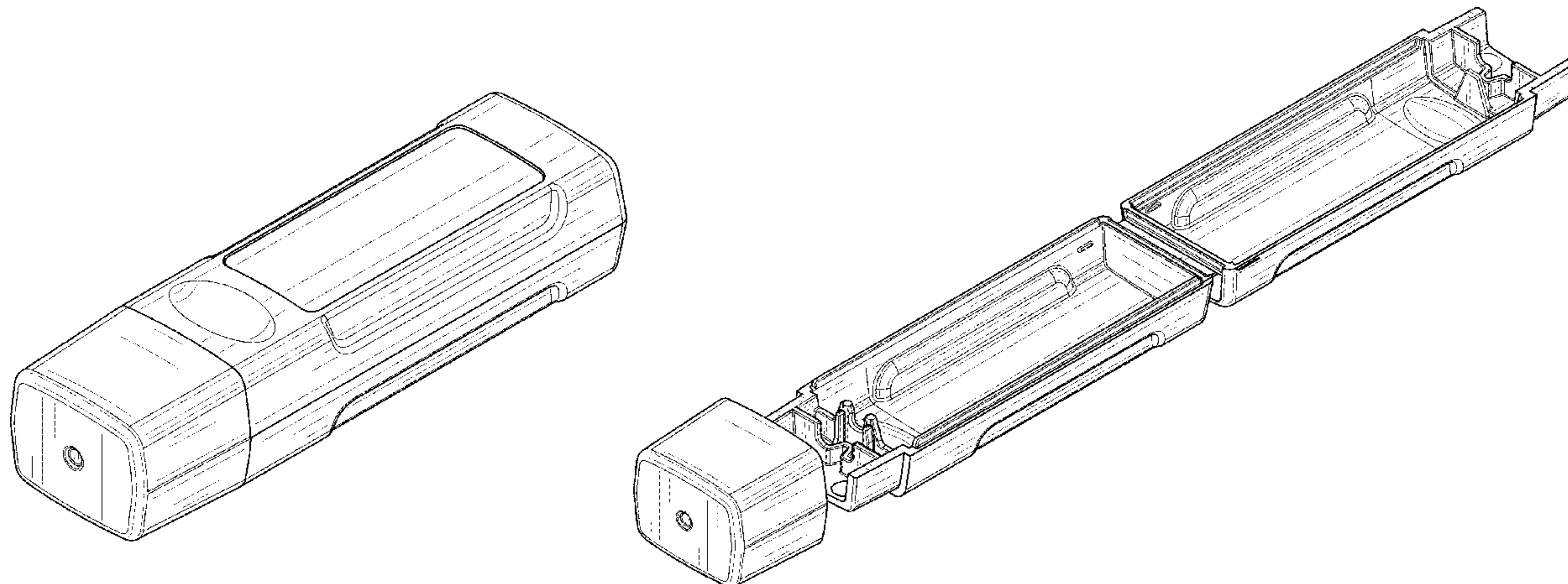
(57) **CLAIM**

An ornamental design for a packaging container, as shown
and described.

DESCRIPTION

FIG. 1 is a top perspective view of the packaging container.
FIG. 2 is a bottom view of the packaging container.
FIG. 3 is a top view of the packaging container.
FIG. 4 is a right side view of the packaging container.
FIG. 5 is a left side view of the packaging container.
FIG. 6 is a top view of the packaging container.
FIG. 7 is a bottom view of the packaging container.
FIG. 8 is a top perspective view of the packaging container
in an open position.
FIG. 9 is a bottom perspective view of the packaging
container in an open position.
FIG. 10 is a top view of the packaging container in an open
position.
FIG. 11 is a bottom view of the packaging container in an
open position.
FIG. 12 is a right side view of the packaging container in an
open position.
FIG. 13 is a top view of the packaging container in an open
position; and,
FIG. 14 is a bottom view of the packaging container in an
open position.

1 Claim, 14 Drawing Sheets



(58) **Field of Classification Search**

CPC 2575/586; Y10S 206/833; B01L 3/50825;
B01L 3/08; A61M 5/002

See application file for complete search history.

(56) **References Cited**

U.S. PATENT DOCUMENTS

D814,314 S * 4/2018 Mecker D9/707
D862,246 S * 10/2019 Basak-Smith D9/711

* cited by examiner

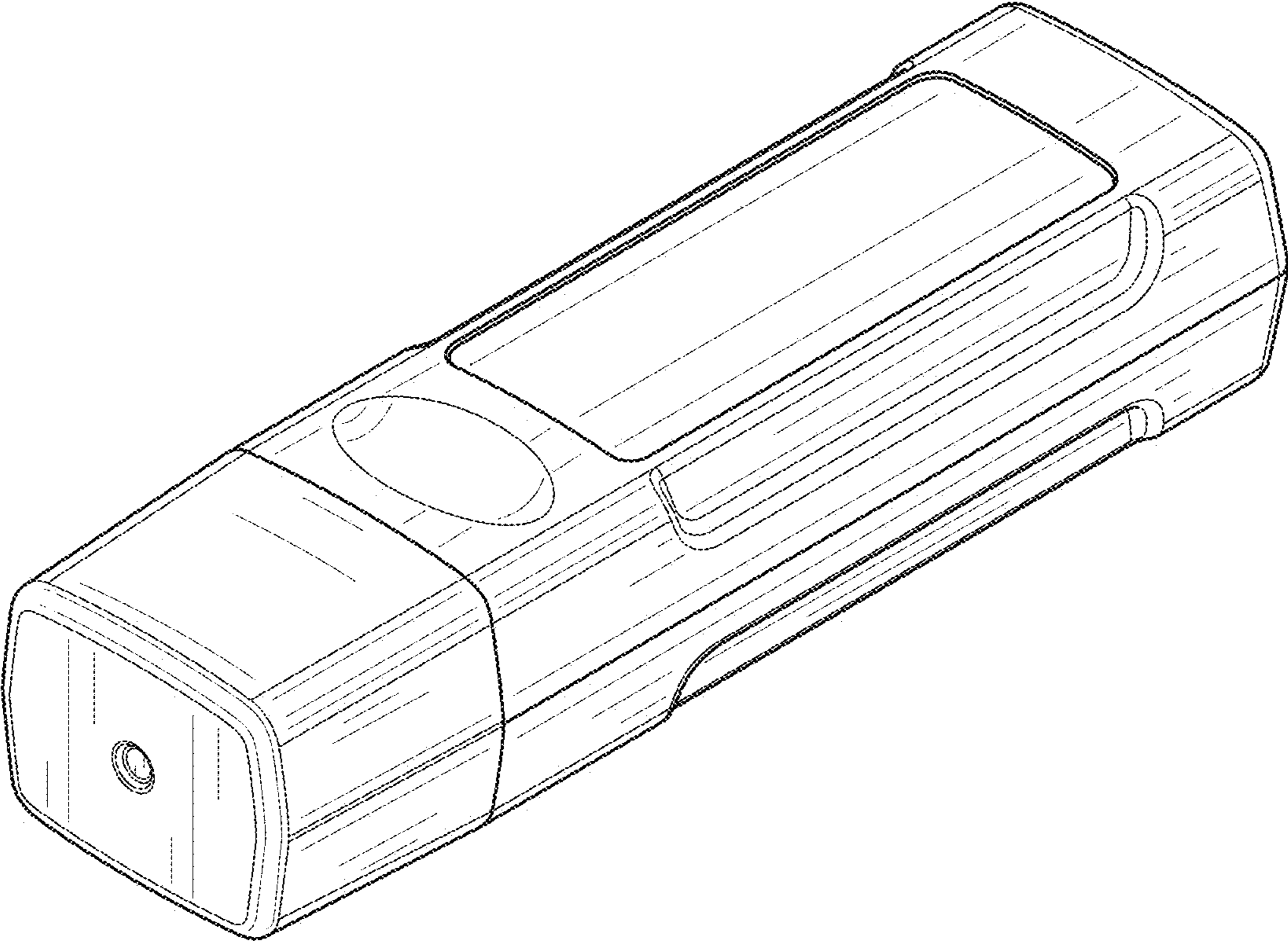


FIG. 1

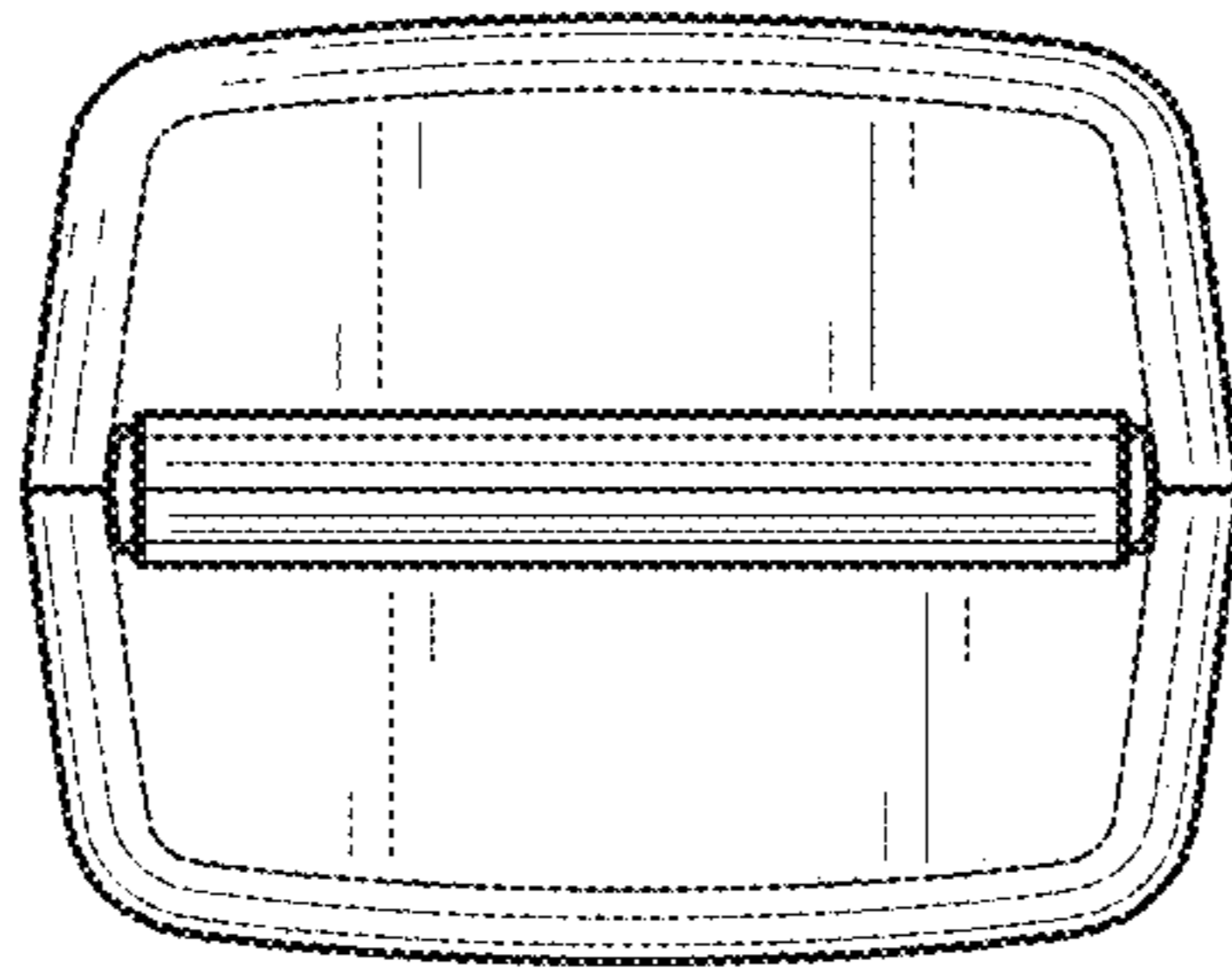


FIG. 2

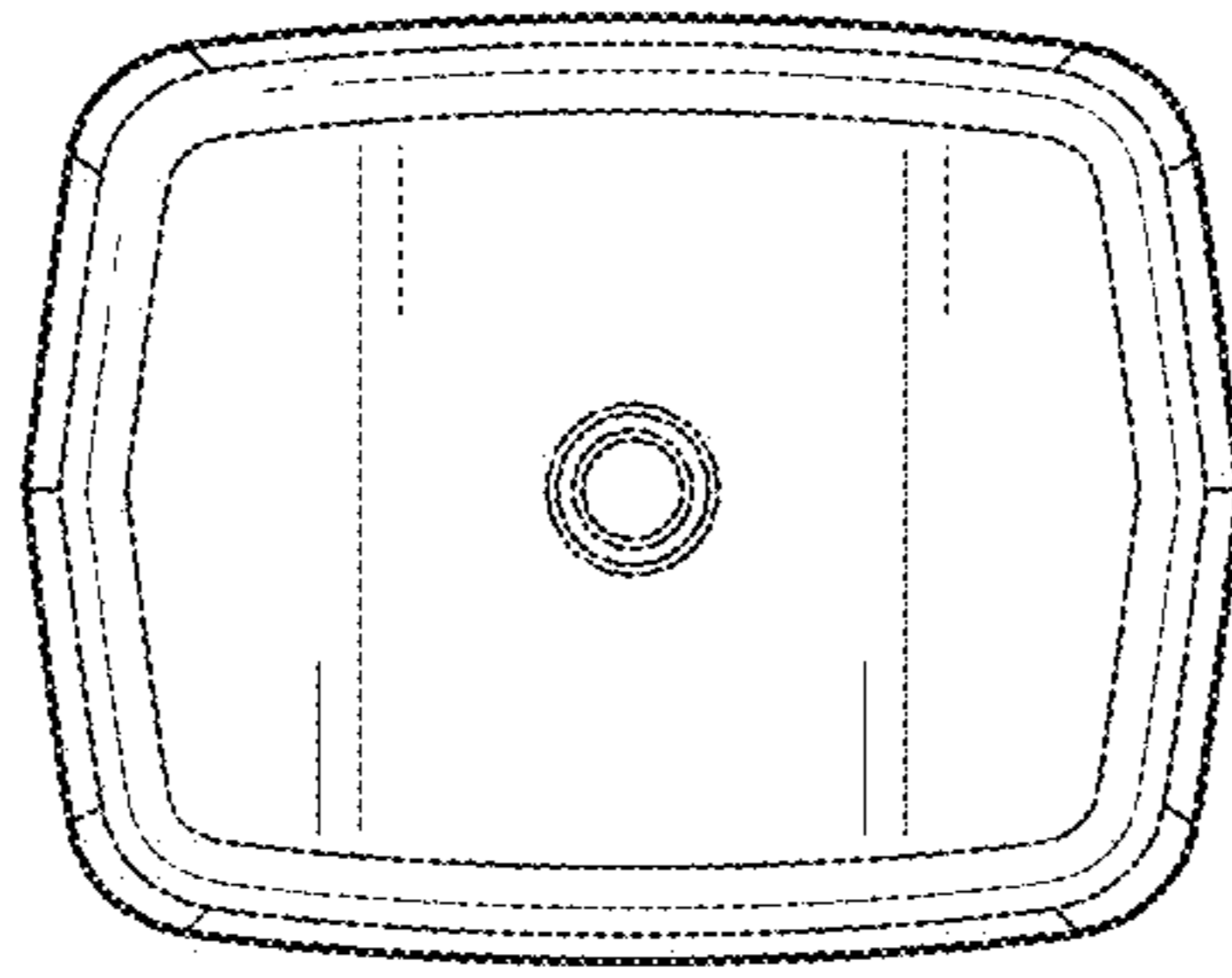


FIG. 3

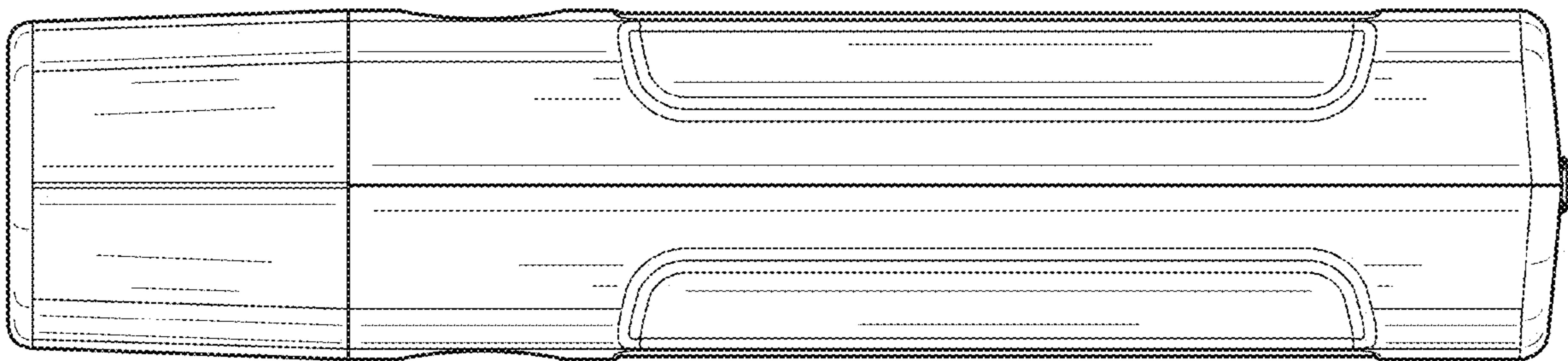


FIG. 4

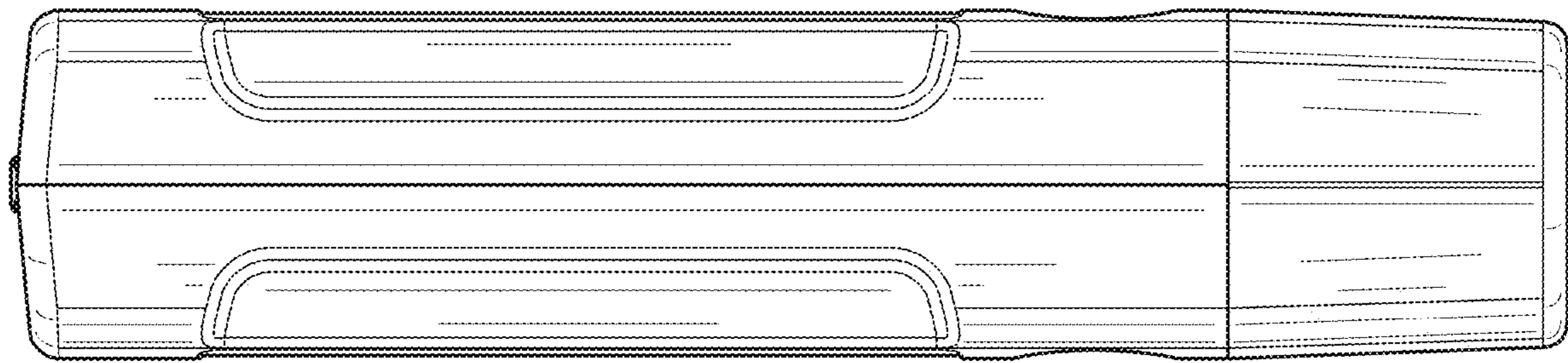


FIG. 5

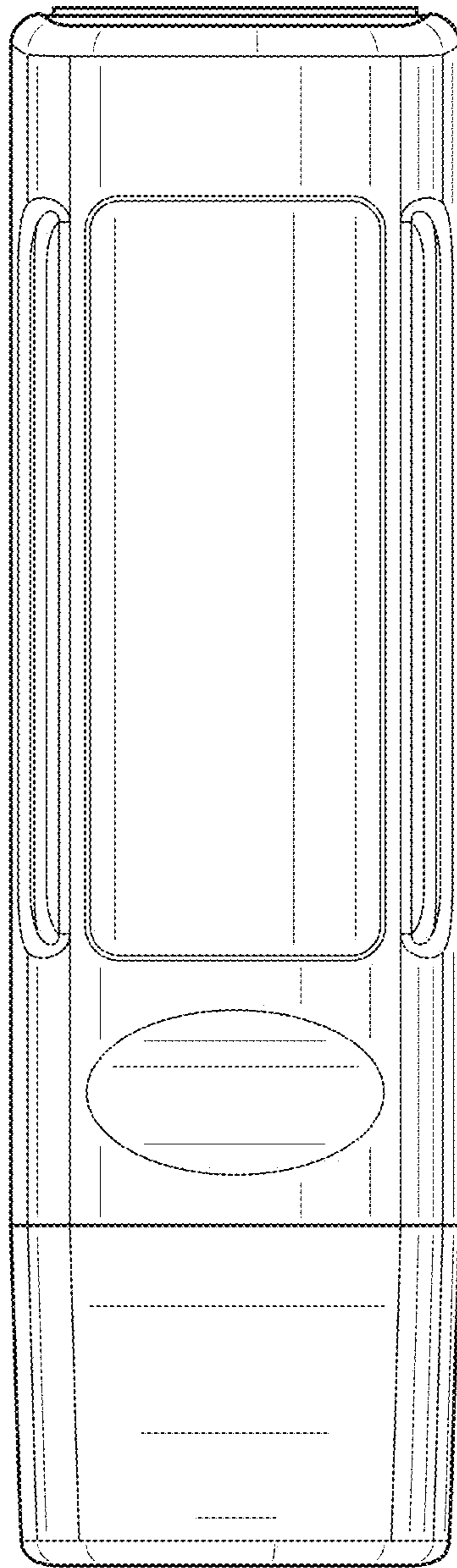


FIG. 6

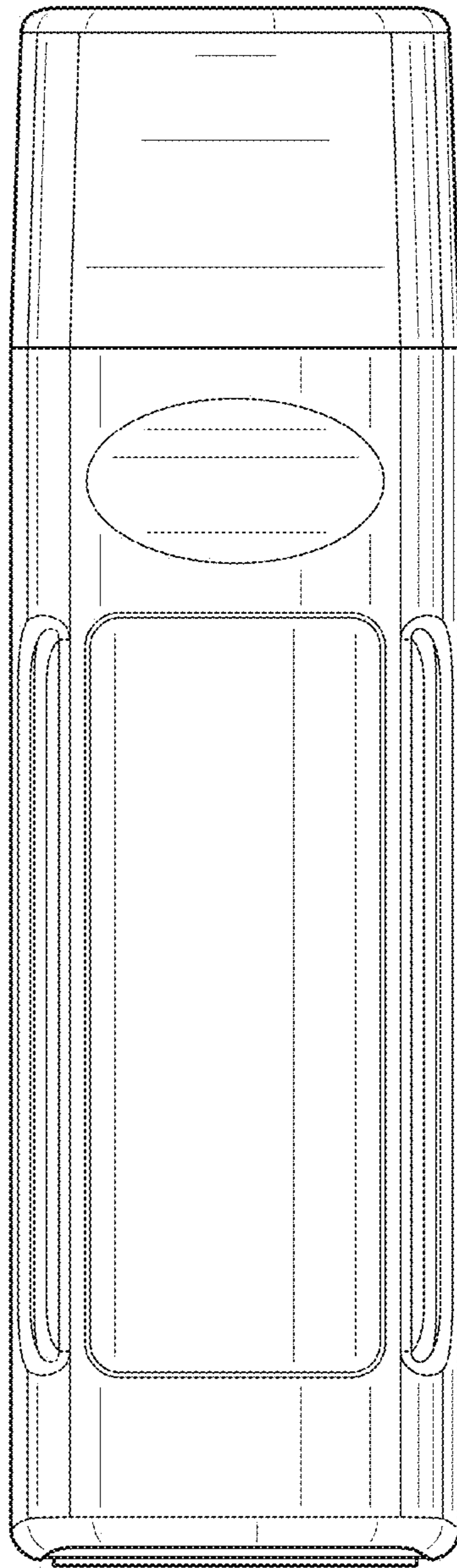


FIG. 7

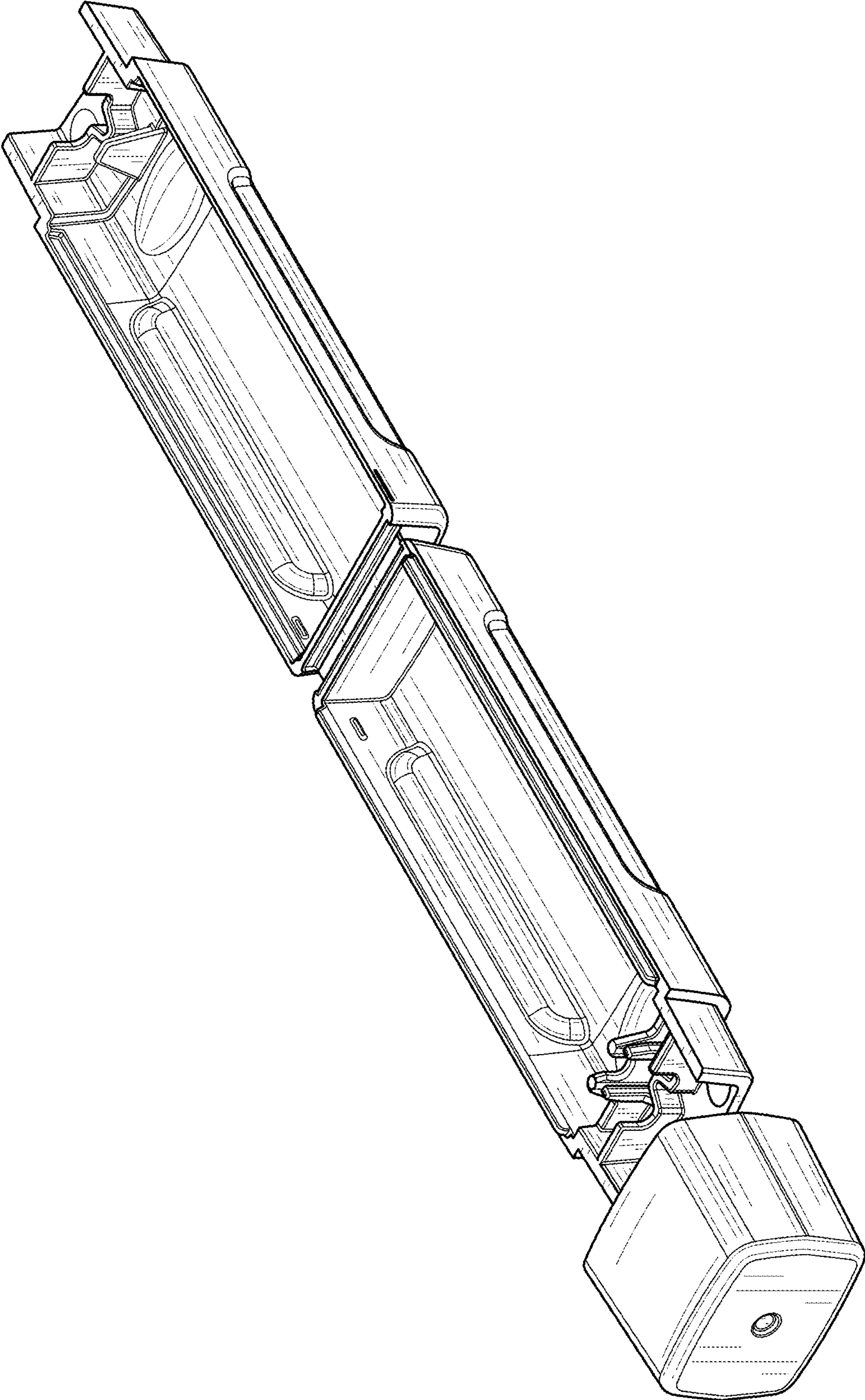


FIG. 8

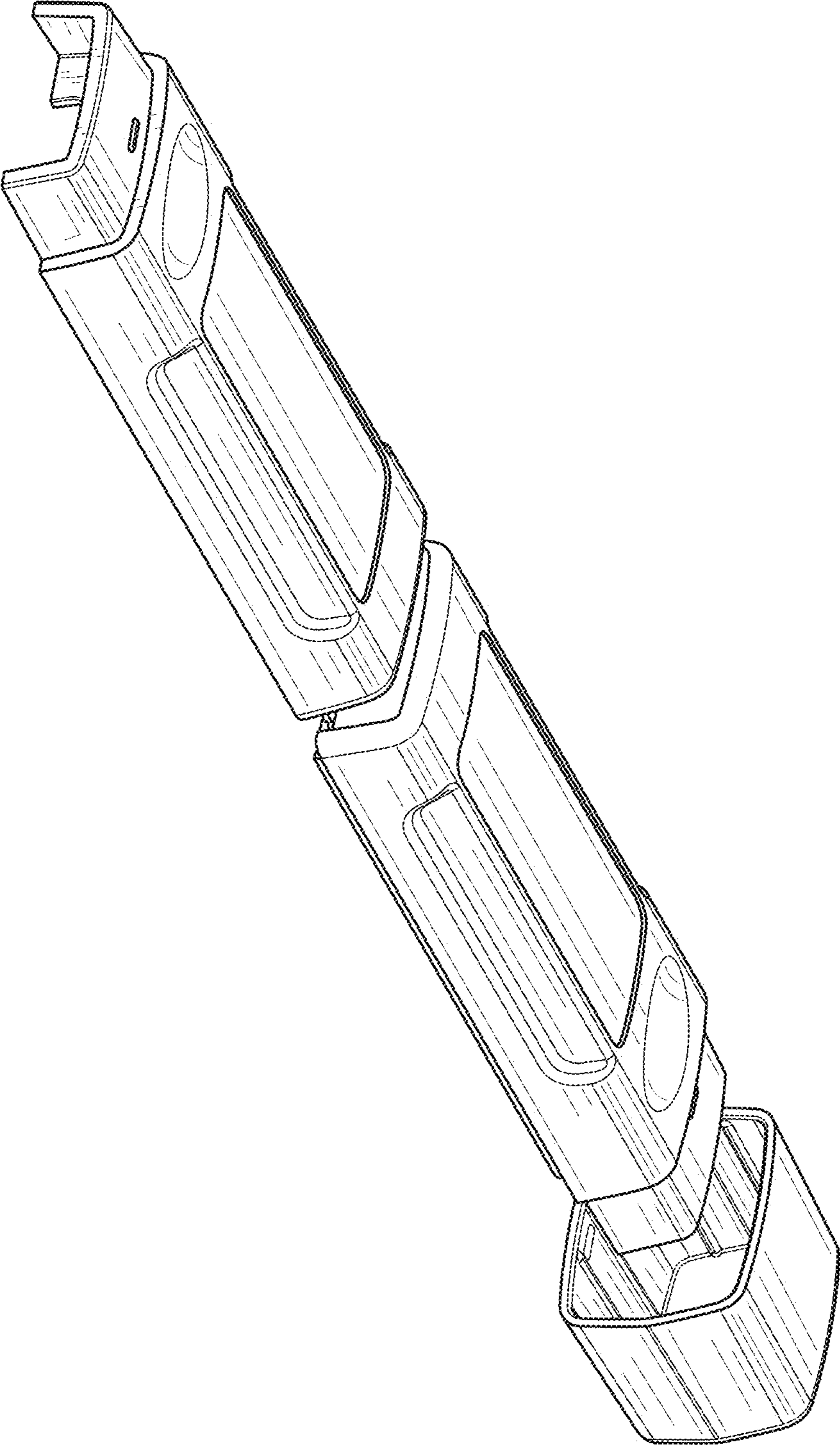


FIG. 9

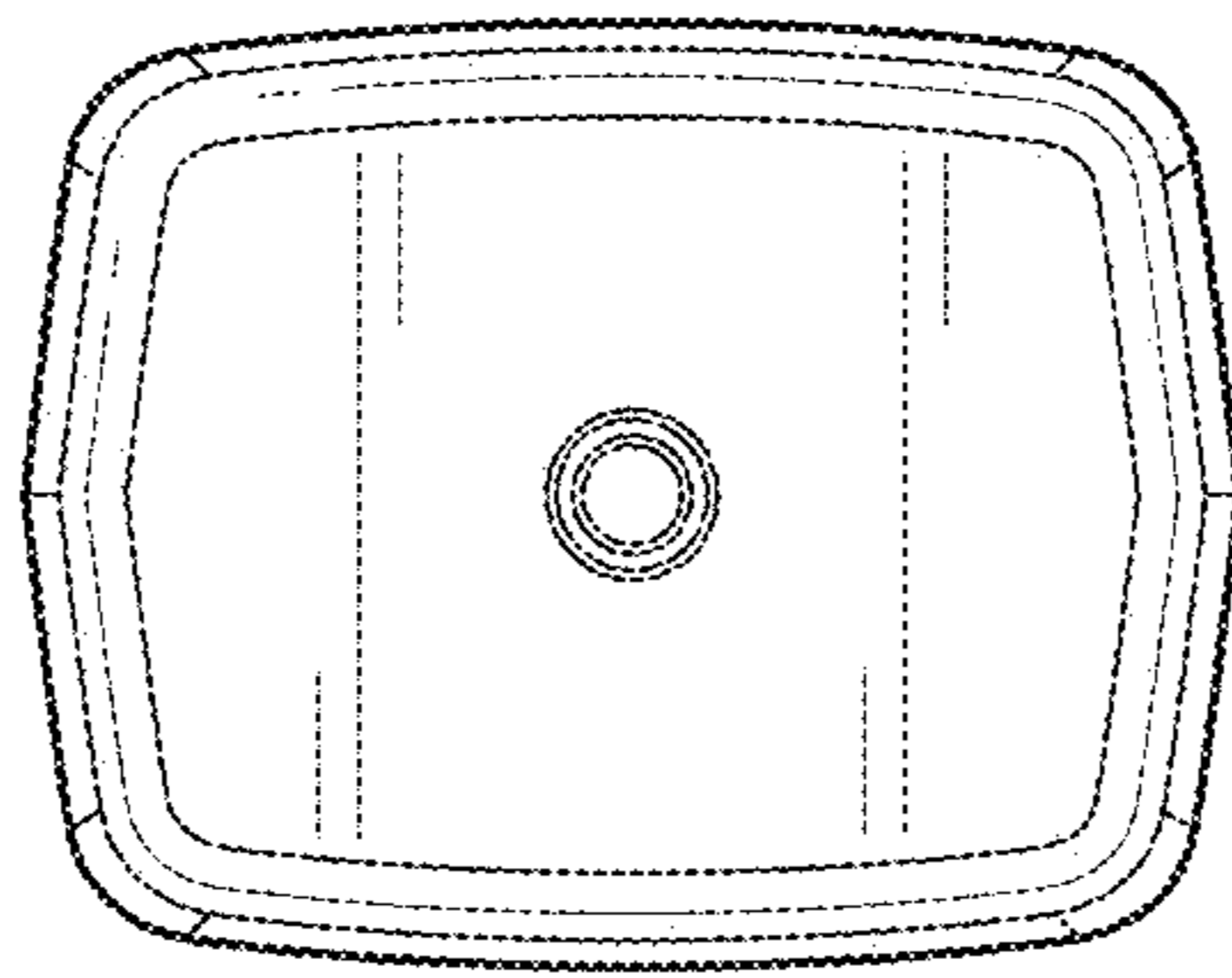


FIG. 10

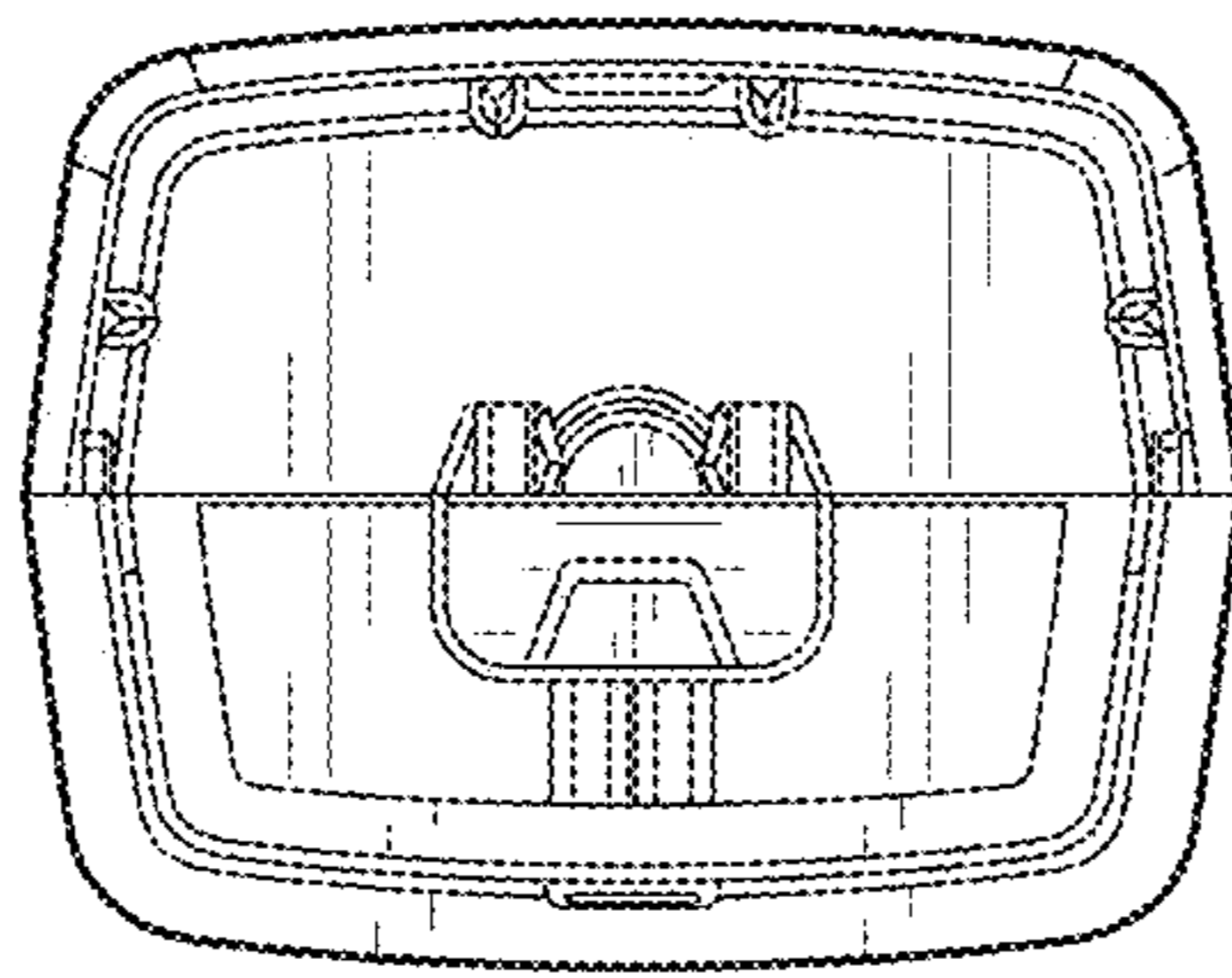


FIG. 11

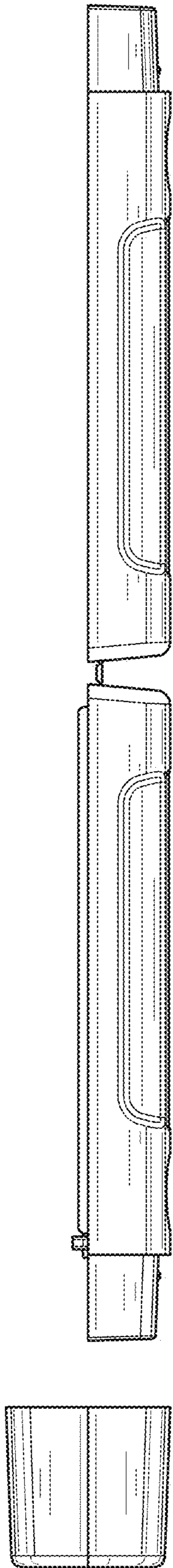


FIG. 12

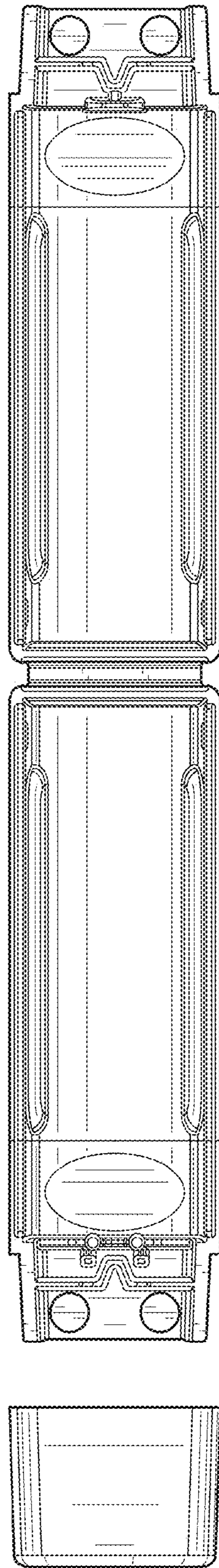


FIG. 13

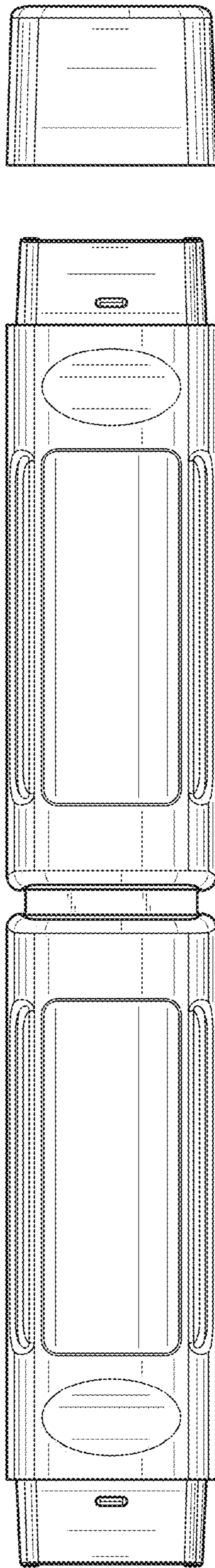


FIG. 14