



US00D885185S

(12) **United States Design Patent** (10) **Patent No.:** **US D885,185 S**  
**Hudson et al.** (45) **Date of Patent:** **\*\* May 26, 2020**

(54) **LID**

(71) Applicant: **THE SHERWIN-WILLIAMS COMPANY**, Cleveland, OH (US)  
(72) Inventors: **Richard D. Hudson**, North Olmsted, OH (US); **James J. Johnson**, Akron, OH (US); **Gustavo A. Morales**, Brunswick, OH (US); **Edward R. Goodwin, Jr.**, Westlake, OH (US); **Michael C. Lambertson, Jr.**, Aurora, OH (US); **Charles T. Buckel, Jr.**, Valley City, OH (US)  
(73) Assignee: **The Sherwin Williams Company**, Cleveland, OH (US)  
(\*\*) Term: **15 Years**  
(21) Appl. No.: **29/676,804**  
(22) Filed: **Jan. 15, 2019**

**Related U.S. Application Data**

(63) Continuation of application No. 29/645,163, filed on Apr. 24, 2018, now Pat. No. Des. 843,837, which is a continuation of application No. 29/559,219, filed on Mar. 25, 2016, now Pat. No. Des. 824,766.  
(51) **LOC (12) Cl.** ..... **09-07**  
(52) **U.S. Cl.**  
USPC ..... **D9/454**  
(58) **Field of Classification Search**  
USPC ..... D7/598, 600; D9/443, 454, 516, D9/522-524, 526-528, 530-533, 537, D9/540, 544, 545, 549, 575, 715, 719, D9/741-745; D32/53, 53.1, 54  
CPC ..... B44D 3/12; B65D 25/32; B65D 21/0231; B65D 23/102; B65D 47/06  
See application file for complete search history.

(56)

**References Cited**

U.S. PATENT DOCUMENTS

D327,648 S *	7/1992	Cane .....	D9/435
D340,189 S	10/1993	Fletcher	
D362,180 S *	9/1995	Haines .....	D9/529
D378,494 S	3/1997	Miller	
D384,886 S *	10/1997	Plante .....	D10/68
5,855,304 A	1/1999	Dean	
D415,027 S *	10/1999	Blazar .....	D9/440
6,029,864 A *	2/2000	Nilsson .....	B65D 25/56 222/466
D431,472 S	10/2000	Cain	
D445,687 S *	7/2001	Gilbertson .....	D7/392.1
D460,845 S	7/2002	Bergman	
6,708,838 B2	3/2004	Bergman	
D505,076 S	5/2005	Logan	
6,983,862 B2	1/2006	Nottingham	

(Continued)

*Primary Examiner* — Shannon W Morgan

*Assistant Examiner* — Keith Frank

(74) *Attorney, Agent, or Firm* — Tucker Ellis LLP; Carlos Garritano

(57)

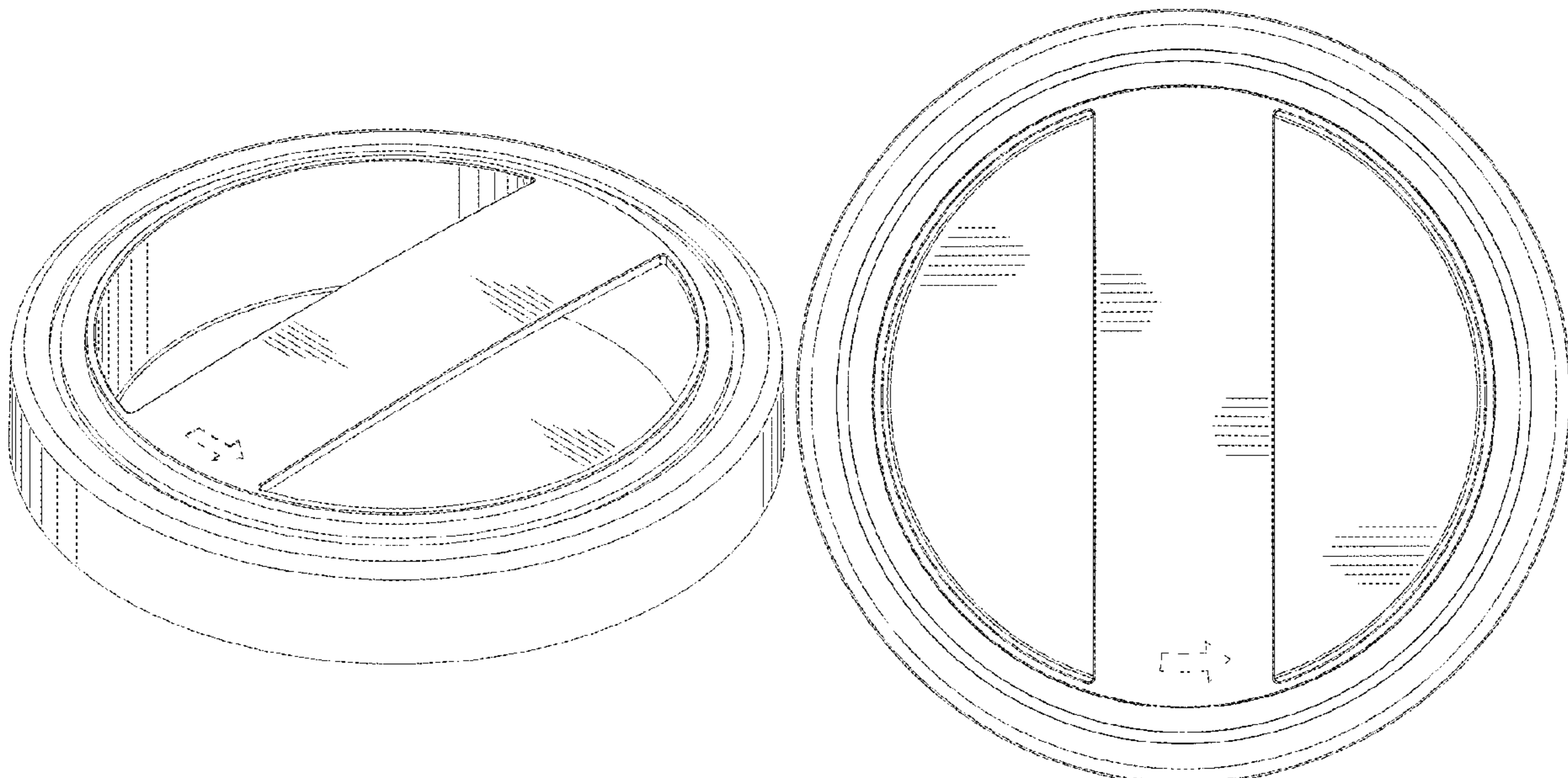
**CLAIM**

The ornamental design for a lid, as shown and described.

**DESCRIPTION**

FIG. 1 is a perspective view of a lid showing our new design; FIG. 2 is a bottom perspective view of the lid illustrated in FIG. 1; FIG. 3 is a top view of the lid illustrated in FIG. 1; FIG. 4 is a bottom view of the lid illustrated in FIG. 1; FIG. 5 is a front view of the lid illustrated in FIG. 1; FIG. 6 is a rear view of the lid illustrated in FIG. 1; and, FIG. 7 is a right side view of the lid illustrated in FIG. 1, with the left side being a mirror image thereof. The broken lines show portions of the design that form no part of the claimed design.

**1 Claim, 4 Drawing Sheets**



(56)

References Cited

U.S. PATENT DOCUMENTS

D517,322 S *	3/2006	Zettle .....	D3/323	9,446,884 B2	9/2016	McGinley	
D525,826 S *	8/2006	Kugler .....	D7/392.1	D783,403 S *	4/2017	Sill .....	D9/454
D548,603 S	8/2007	Young		D794,445 S	8/2017	Gringer	
D564,887 S *	3/2008	Gruskin .....	D9/531	D800,565 S	10/2017	Yourist	
D573,475 S	7/2008	Nottingham		D840,238 S *	2/2019	Bonaventura	
D623,954 S	9/2010	Hawry		D845,136 S *	4/2019	Hudson .....	D9/559
D653,548 S	2/2012	Wycoff		D846,343 S *	4/2019	Mateus .....	D9/503
8,205,415 B2 *	6/2012	Sagy .....	B65D 43/0212 53/433	D848,784 S *	5/2019	Samartgis .....	D7/392
D691,052 S	10/2013	Minghetti		2001/0025865 A1 *	10/2001	Hazelton .....	D7/391
D711,232 S *	8/2014	Henriksson .....	D9/451	2001/0025865 A1 *	10/2001	Bravo .....	B44D 3/127 222/465.1
D719,828 S *	12/2014	Henriksson .....	D9/451	2002/0195471 A1 *	12/2002	Nottingham .....	B01F 15/00733 222/570
D722,885 S	2/2015	Mooney		2007/0187412 A1	8/2007	Gruskin	
D744,186 S	11/2015	Gringer		2007/0187413 A1	8/2007	Gruskin	
D751,913 S	3/2016	Seccof		2007/0187420 A1	8/2007	Gruskin	
9,290,310 B2	3/2016	Sinn		2007/0205196 A1 *	9/2007	Burney .....	B65D 43/0212 220/276
D760,085 S *	6/2016	Su .....	D9/543	2007/0261983 A1	11/2007	Flanagan-Kent	

\* cited by examiner

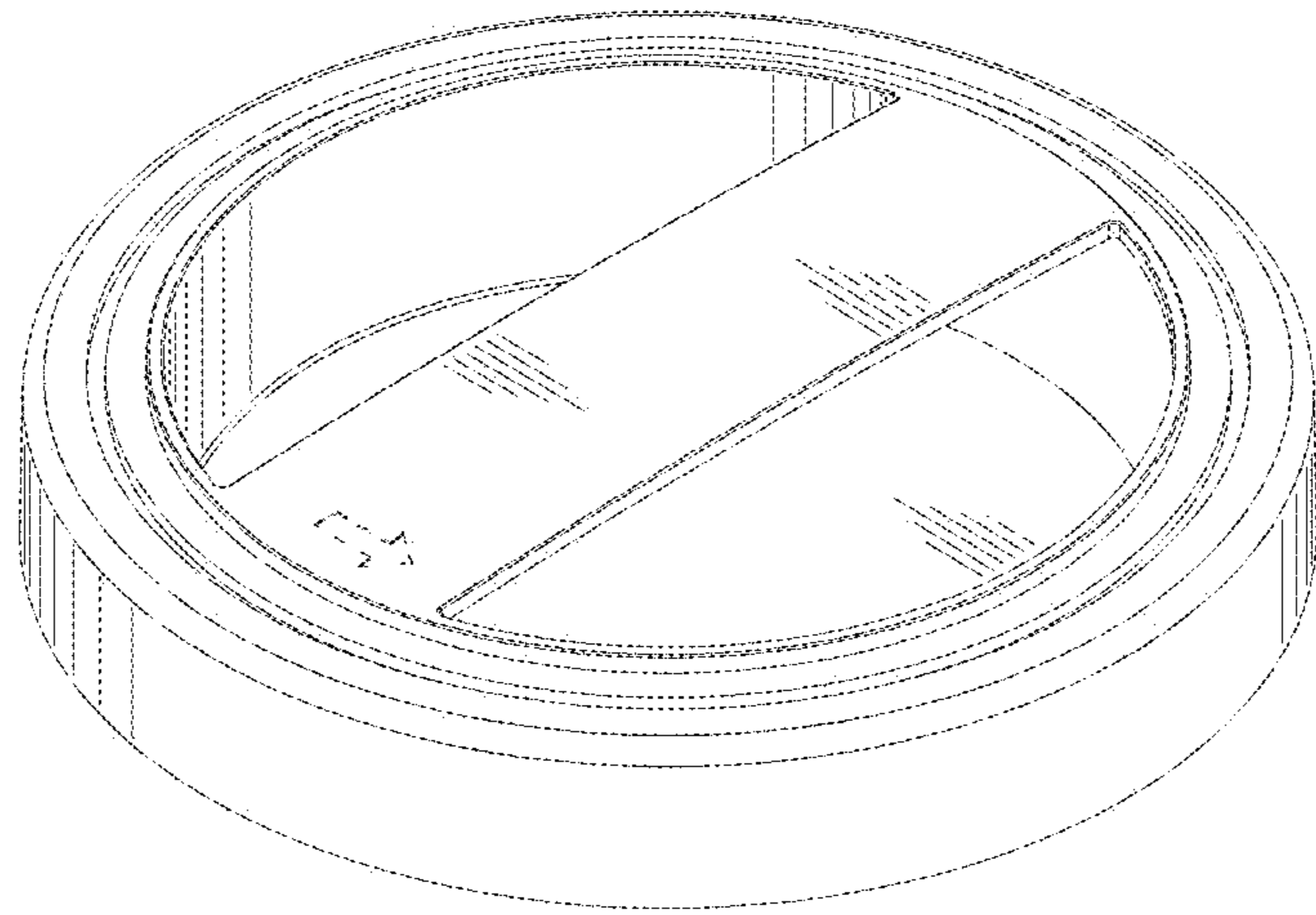


FIG. 1

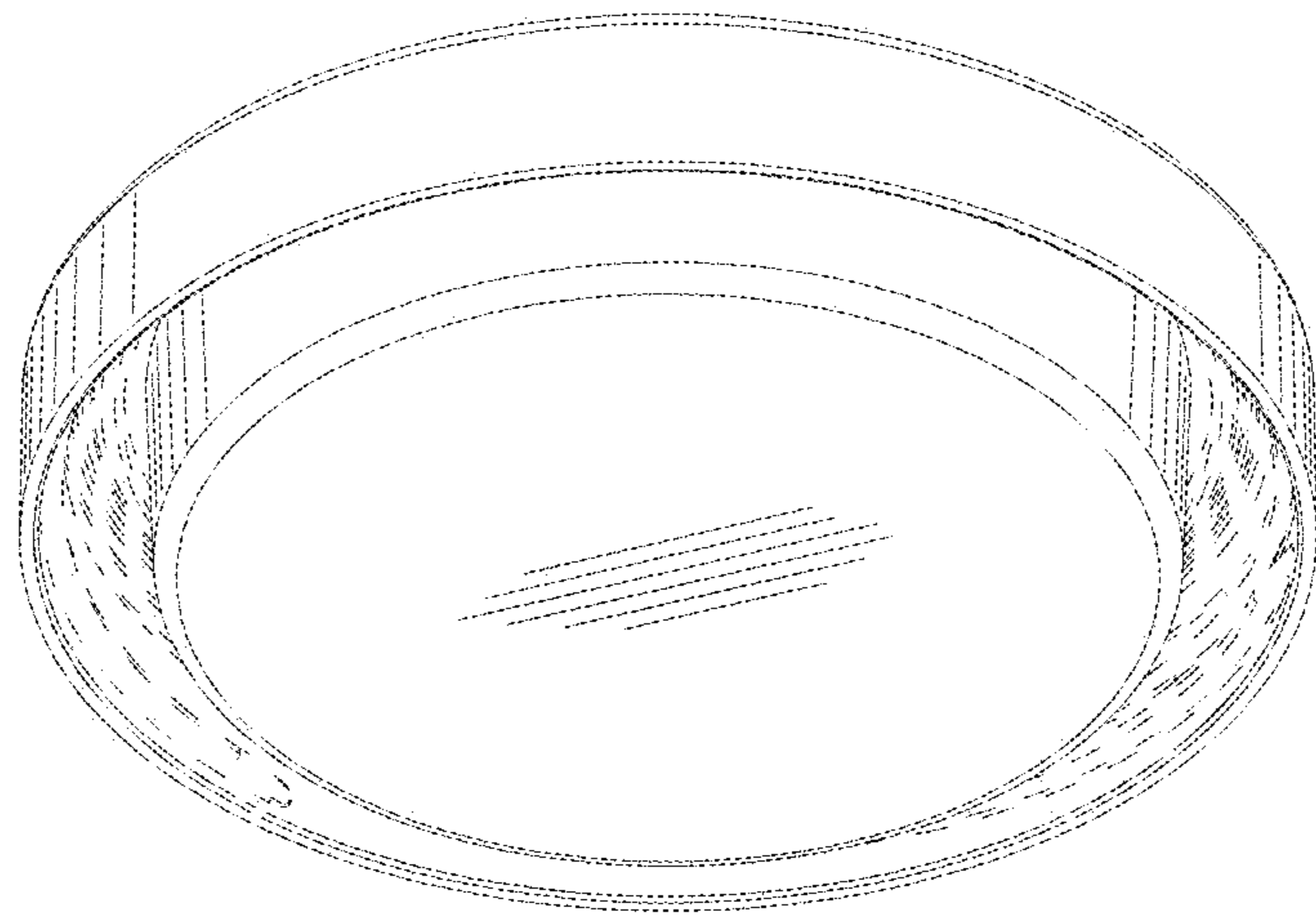


FIG. 2

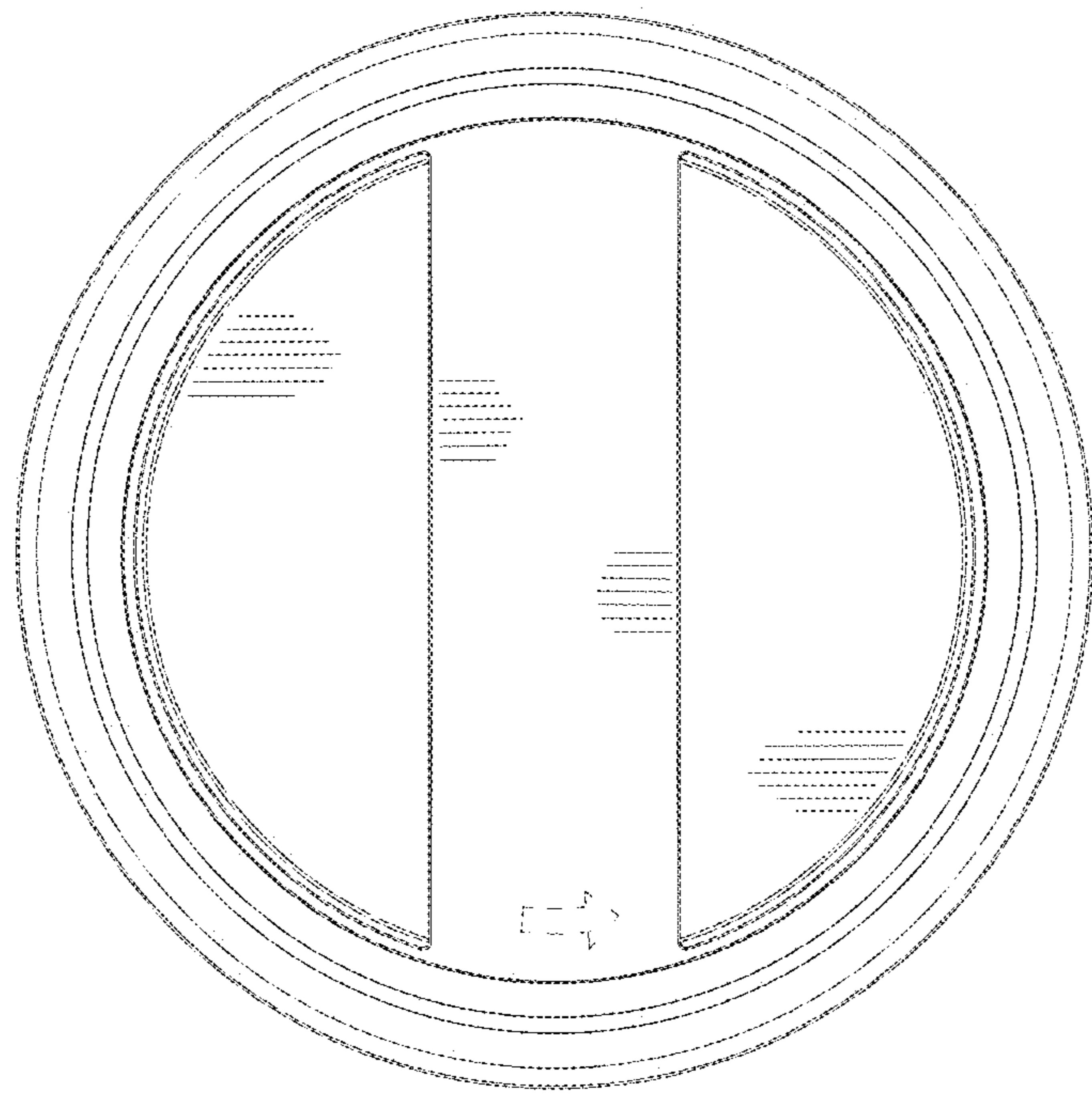


FIG. 3

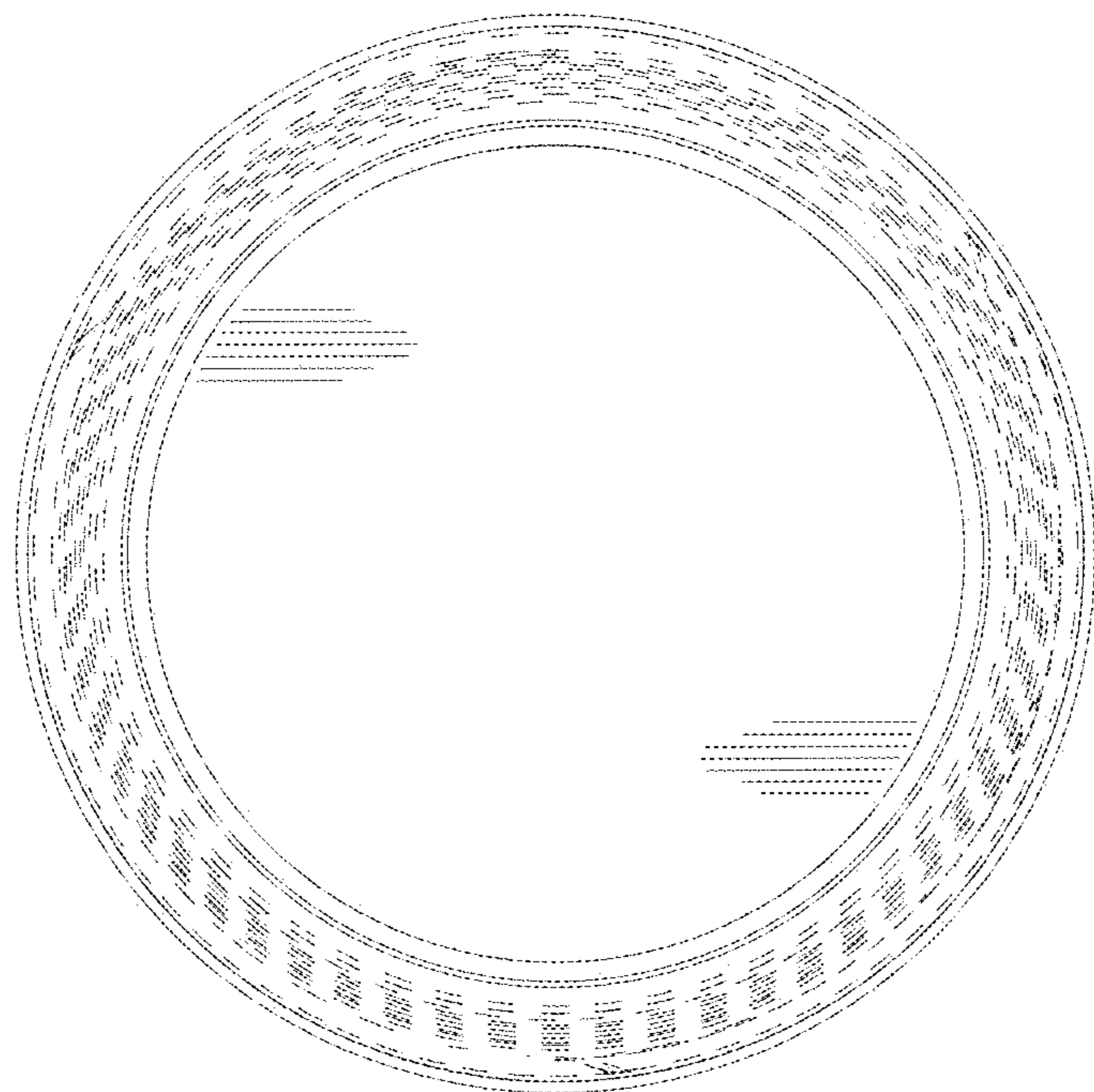


FIG. 4

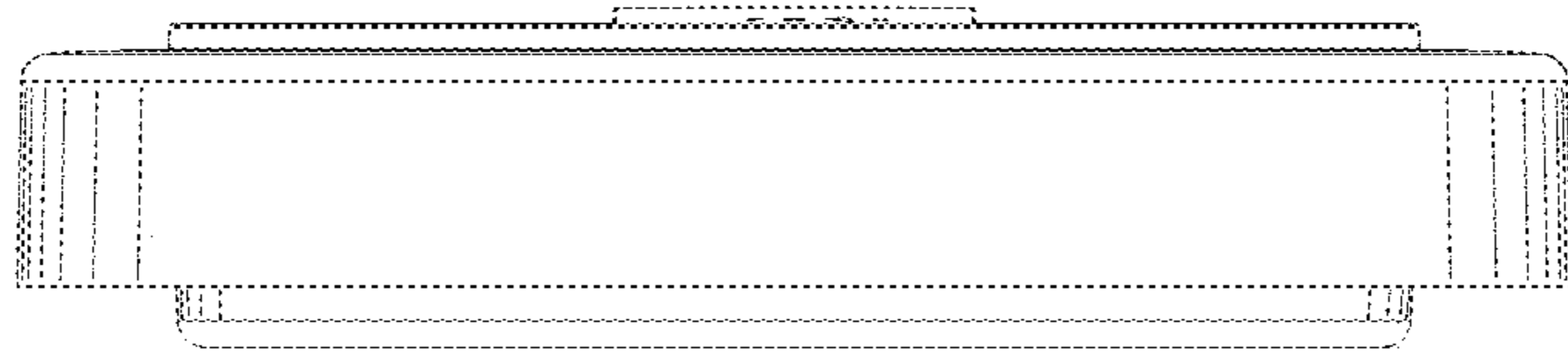


FIG. 5

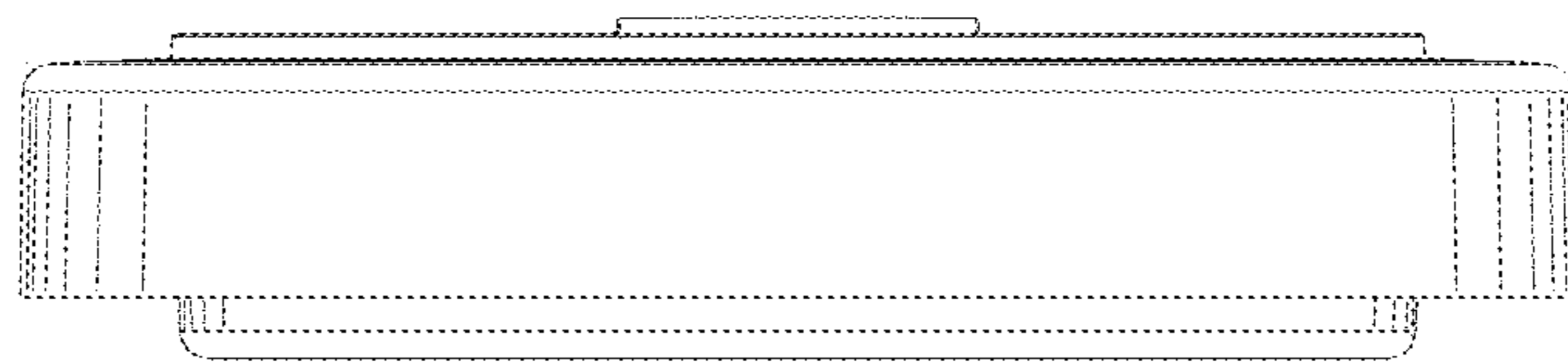


FIG. 6

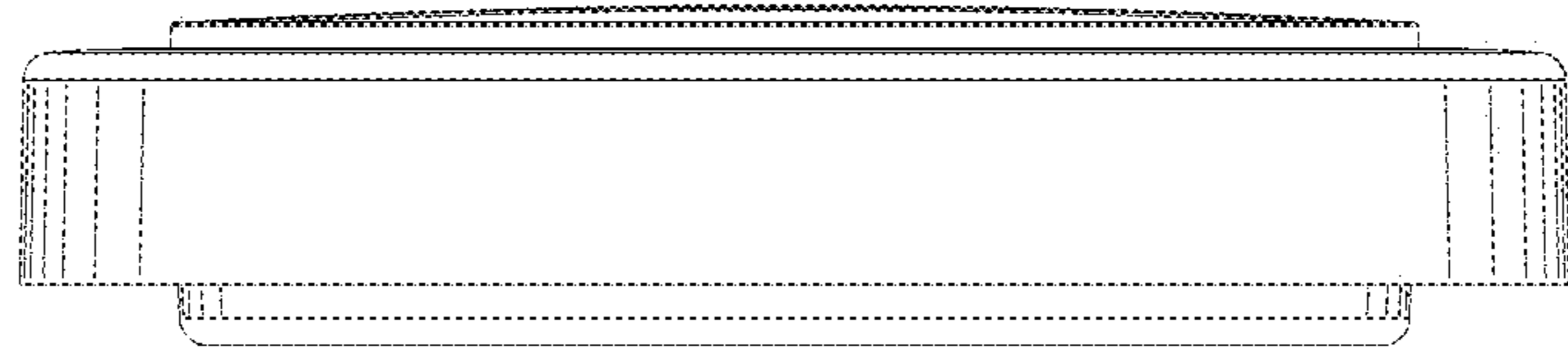


FIG. 7