



US00D885183S

(12) **United States Design Patent**
Schawo et al.

(10) **Patent No.:** **US D885,183 S**

(45) **Date of Patent:** **** May 26, 2020**

(54) **TUBE CLOSURE**

(71) Applicant: **Obrist Closures Switzerland GmbH**,
Reinach (CH)

(72) Inventors: **Rainer Schawo**, Zell (DE); **Julia Hartwig**, Zell (DE)

(73) Assignee: **OBRIST CLOSURES SWITZERLAND GMBH**, Reinach (CH)

(**) Term: **15 Years**

(21) Appl. No.: **29/656,785**

(22) Filed: **Jul. 16, 2018**

(30) **Foreign Application Priority Data**

Jan. 16, 2018 (EM) 004667772-0004

(51) **LOC (12) Cl.** **09-07**

(52) **U.S. Cl.**
USPC **D9/449**

(58) **Field of Classification Search**
USPC D7/387, 388, 391, 392, 392.1, 393, 394, D7/395, 396.1, 396.2, 396.6, 397, 398, D7/403, 509, 510, 511, 566, 624.1, 625, D7/672, 900; D8/300, 303, 330, 354, D8/356, 382, 396; D9/434, 435, 436, D9/437, 438, 443, 448, 449, 450, 451, D9/454, 453, 51, 6, 529, 548, 685, 686, D9/723, 730, 763; D24/121, 127, 194, D24/196; D28/76, 78, 91.1; D23/206, D23/209, 259, 260, 365

CPC .. A01G 31/02; A01G 9/0293; B65D 43/0231; B65D 51/24; B65D 83/0038; B65D 17/08; B65D 2517/0062; B65D 2543/0037; B65D 51/245; B65D 50/041; B65D 41/04; B65D 25/18; B65D 47/122; B65D 47/305; B65D 51/242; B65D 23/00; B65D 1/00; B65D 1/02; B65D 1/0223; B65D 39/08; B65D 21/245; B44D 3/006; A46B 2200/1046; A46B

17/00; A46B 17/02; A46B 17/06; A46B 17/07; A46B 17/08; A45D 33/04; A45D 40/04; A45D 2034/005; A45D 2040/0043; A45D 2040/0062; Y02W 30/807; F25D 31/007; F25D 3/06; F25D 3/08; F25D 2303/081;

(Continued)

(56) **References Cited**

U.S. PATENT DOCUMENTS

D349,650 S * 8/1994 Lonczak D9/449
D411,744 S * 6/1999 Brach D9/438
D455,077 S * 4/2002 Gaiser D9/449

(Continued)

OTHER PUBLICATIONS

Aptar Tube Top Container Lid: Site Visited [May 8, 2019]. Available from Internet URL: <https://beauty-home.aptar.com/en-us/dispersing-solutions/tube-top-purity.html>.*

(Continued)

Primary Examiner — Catherine S Posthauer
(74) *Attorney, Agent, or Firm* — Banner & Witcoff, Ltd.

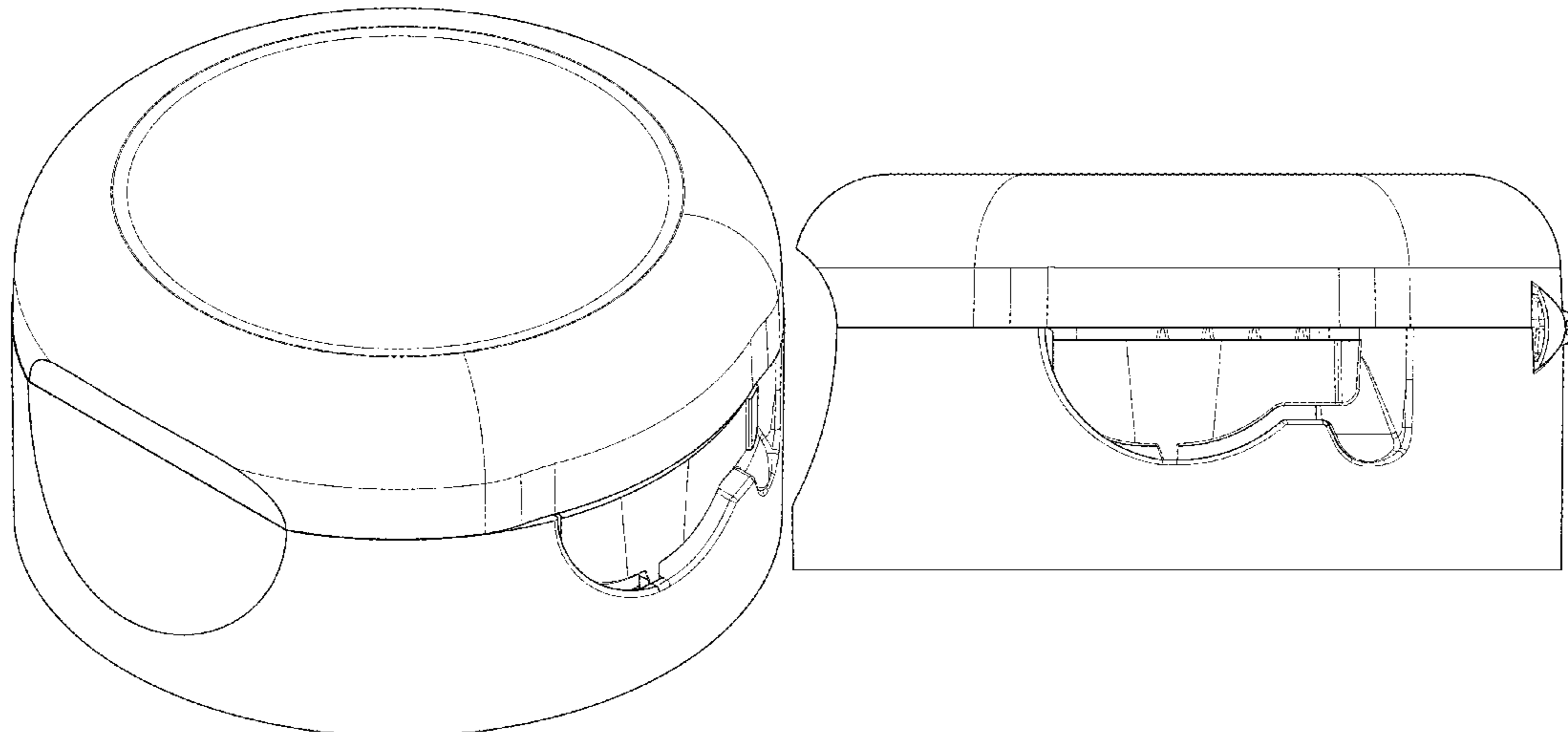
(57) **CLAIM**

The ornamental design for a tube closure, as shown and described.

DESCRIPTION

FIG. 1 is a top, front, right perspective view of a tube closure showing our new design;
FIG. 2 is a right side view thereof;
FIG. 3 is a rear view thereof;
FIG. 4 is a front view thereof;
FIG. 5 is a top view thereof; and,
FIG. 6 is a top, rear, left perspective view thereof.
The broken lines are shown for the purpose of illustrating parts of the tube closure that form no part of the claim.

1 Claim, 6 Drawing Sheets



(58) **Field of Classification Search**
CPC B21D 51/32; B21D 51/44; A47G 19/00;
A47G 19/2272
See application file for complete search history.

(56) **References Cited**

U.S. PATENT DOCUMENTS

D530,203 S * 10/2006 Li D9/449
D536,974 S * 2/2007 Smith D9/435
D536,975 S * 2/2007 Smith D9/435
D547,652 S * 7/2007 Kerman D9/438
D554,503 S * 11/2007 Kerman D9/438
D554,993 S * 11/2007 Kerman D9/438
D624,414 S * 9/2010 Benoit-Gonin D9/449
D638,705 S * 5/2011 Schawo D9/443
D663,202 S * 7/2012 Biesecker D9/449
D683,580 S * 6/2013 Rosenfeld D7/392
D727,730 S * 4/2015 Buschmann D9/449
D769,715 S * 10/2016 Bois D9/449
D817,088 S * 5/2018 Shirley D7/396.2
D842,107 S * 3/2019 Bardet D9/449

2009/0230003 A1* 9/2009 Thiellier A24F 23/00
206/247
2012/0067915 A1* 3/2012 Lepage B65D 43/24
220/831
2012/0091160 A1* 4/2012 Rognard B65D 47/0842
220/835
2015/0320174 A1* 11/2015 Kim A45D 33/006
132/295
2017/0267422 A1* 9/2017 Kieras B65D 47/0804

OTHER PUBLICATIONS

Supersoft Push on Tube 50: Site Visited [Jun. 6, 2019]. Available from Internet URL: <https://catalogue.rpc-bramlage.com/en/portals/rpcbrarnlagedivision/assets/12463341/supersoft-push-on-tube-50/>.*

Touareg Push on Tube: Site Visited [Jun. 6, 2019]. Available from Internet URL: <https://catalogue.rpc-bramlage.com/en/portals/rpcbramlagedivision/assets/12463330/special-push-on/>.*

* cited by examiner

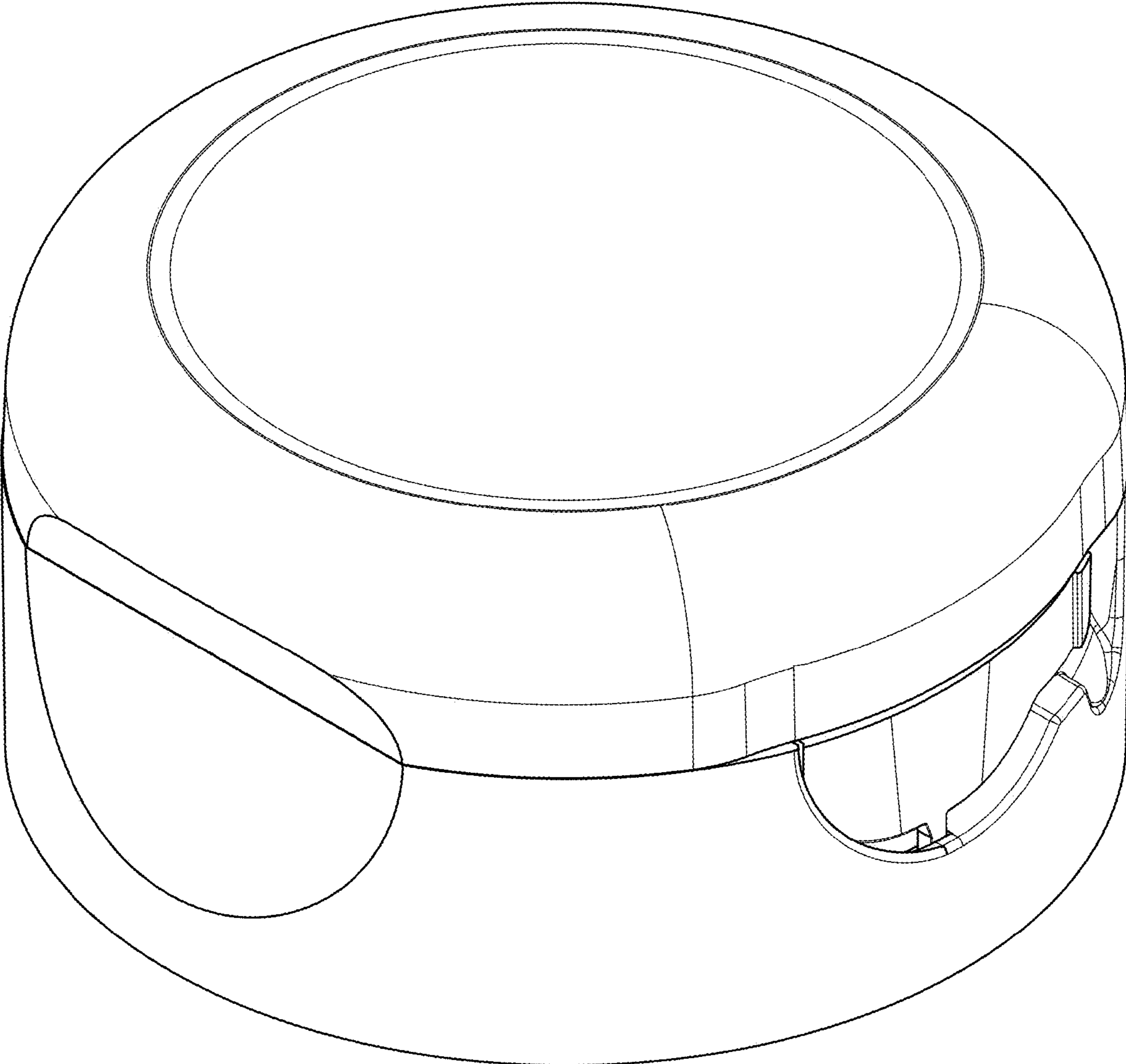


FIG. 1

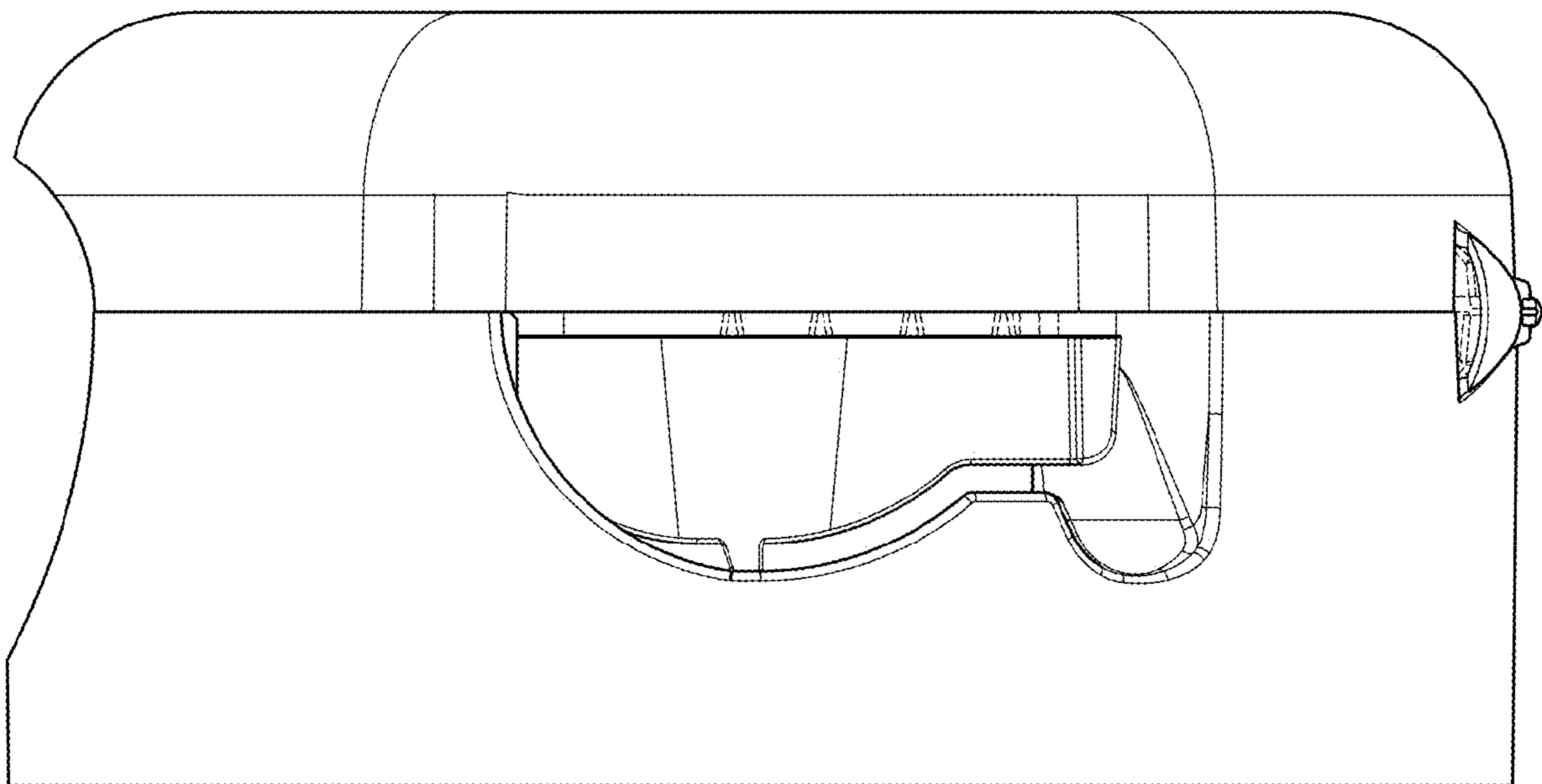


FIG. 2

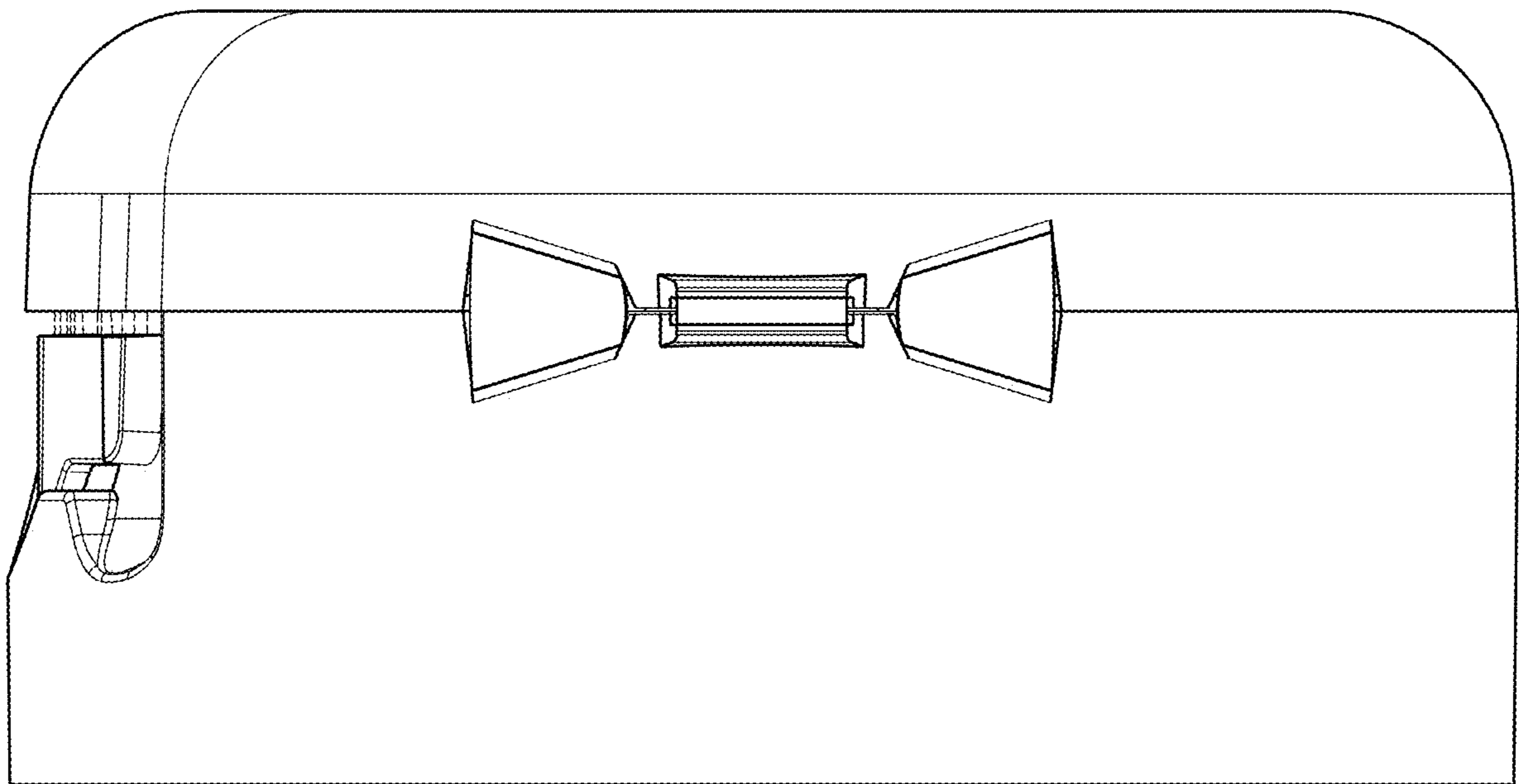


FIG. 3

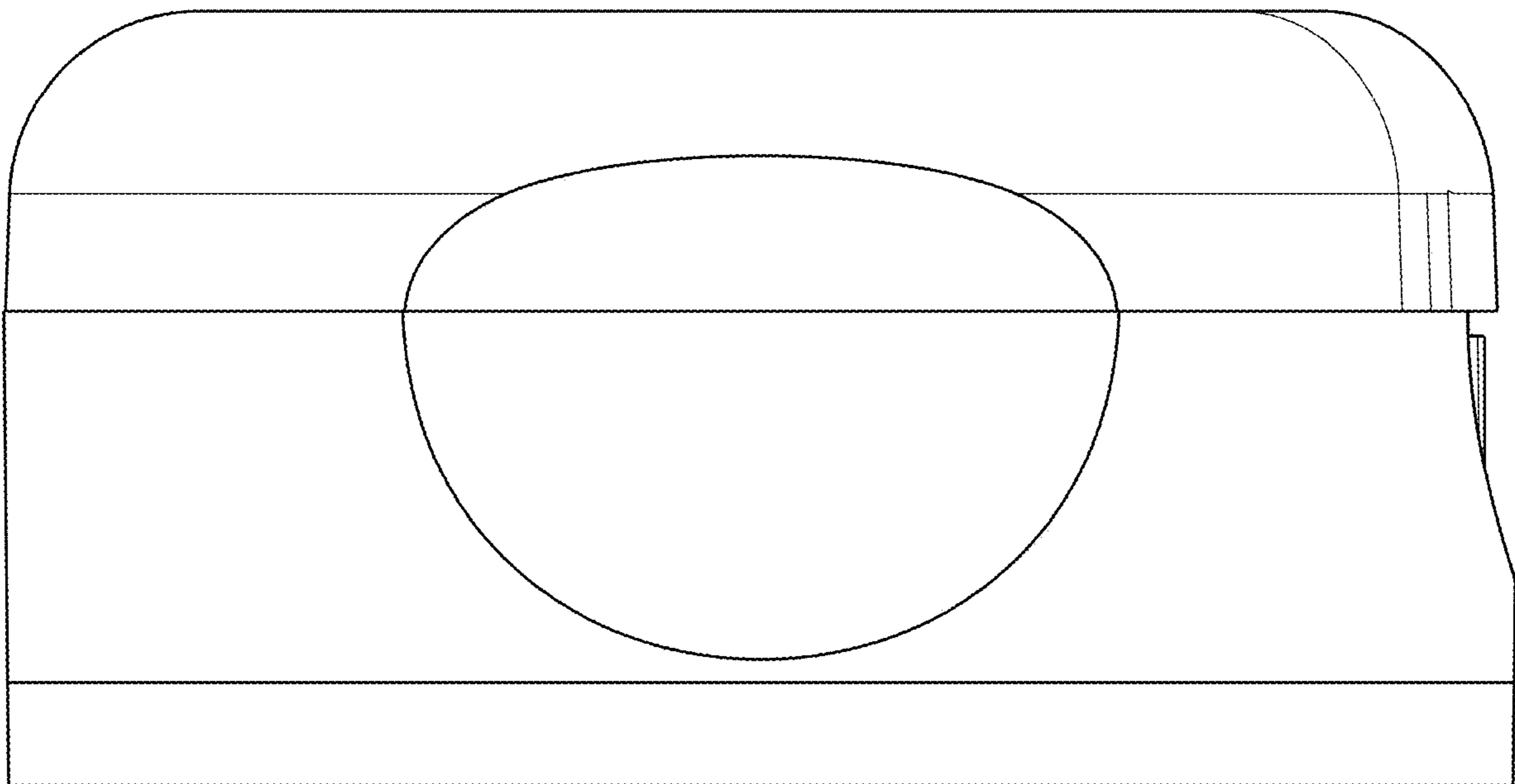


FIG. 4

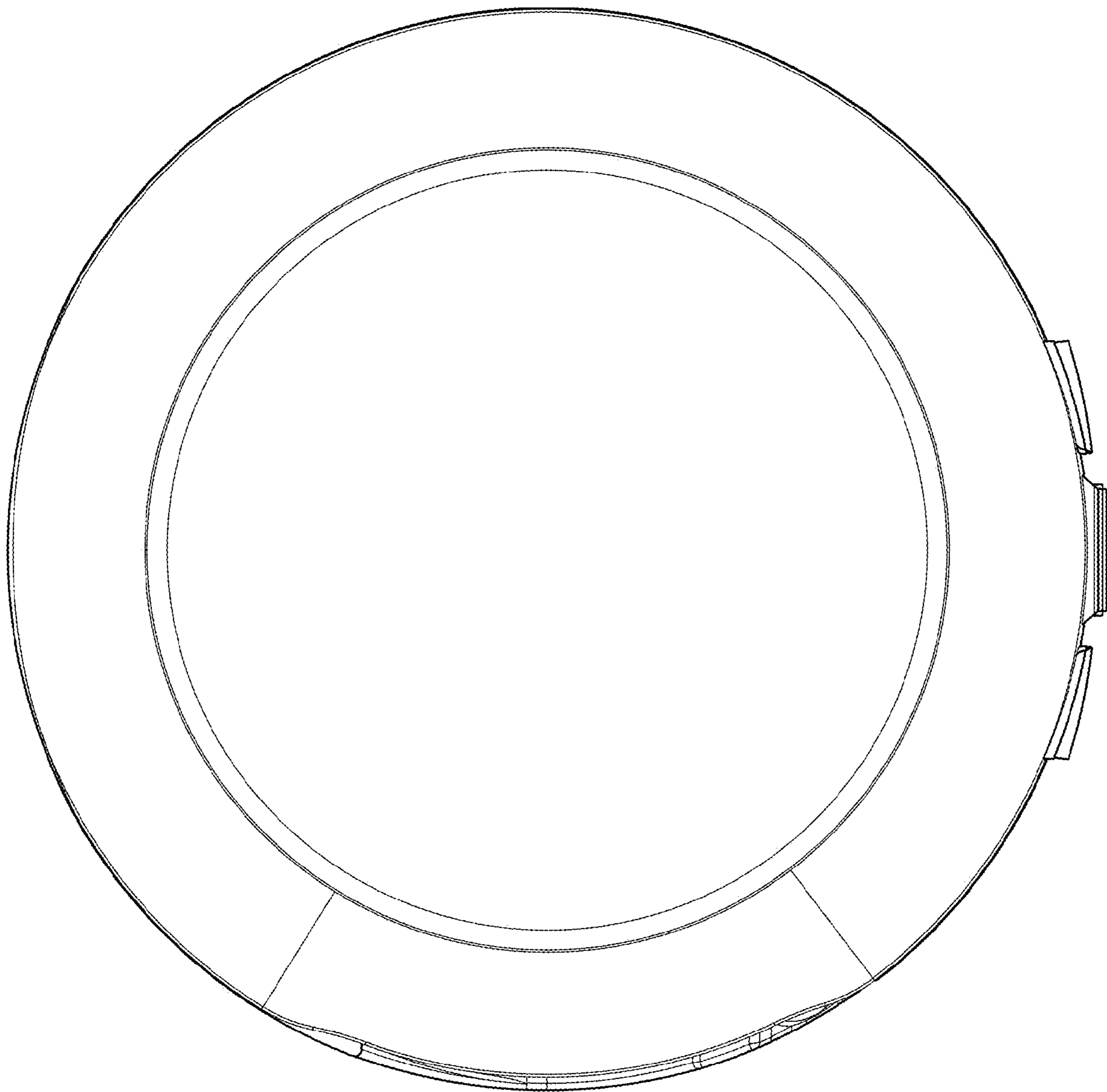


FIG. 5

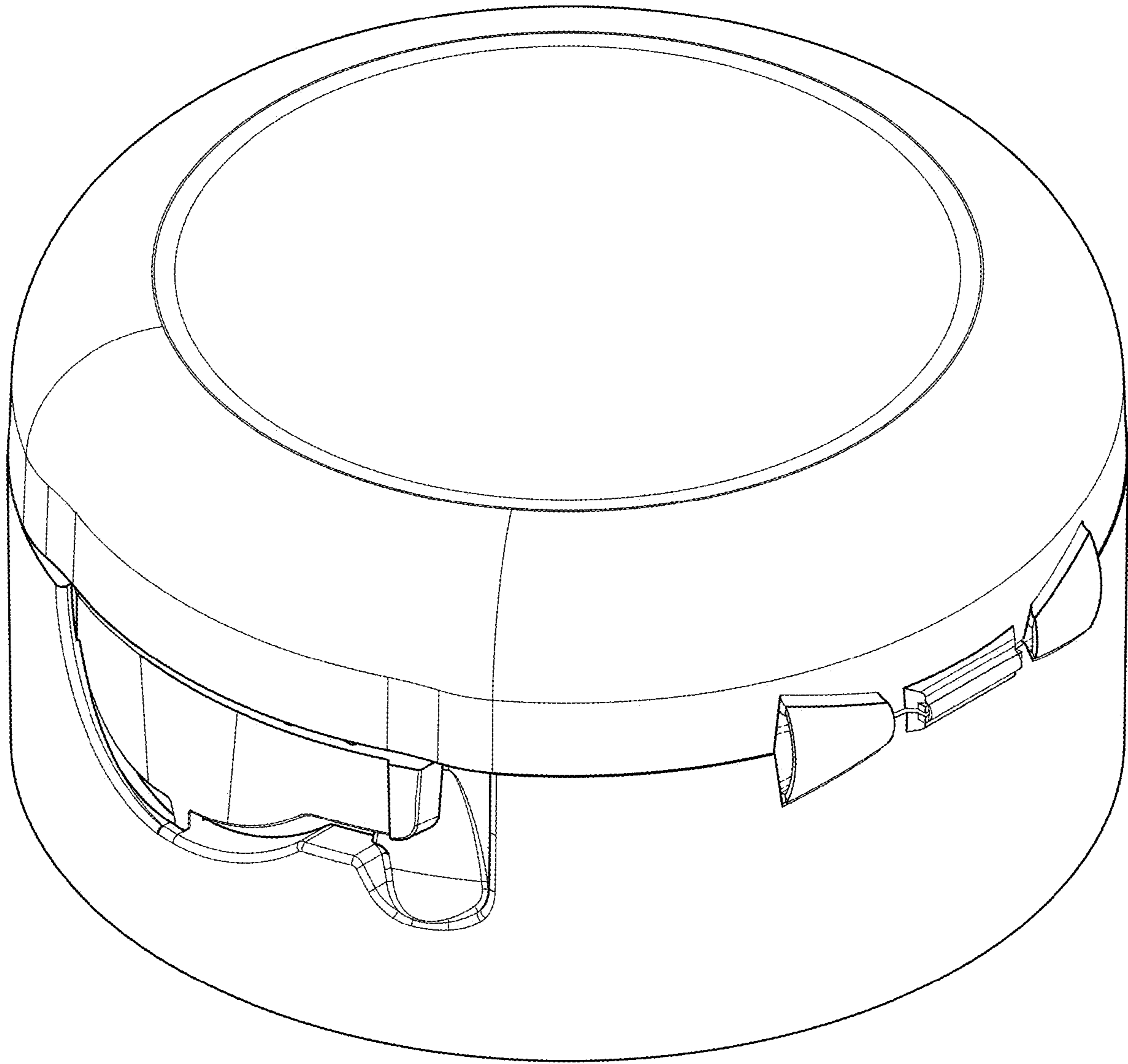


FIG. 6