



US00D885182S

(12) **United States Design Patent**
Van De Klippe

(10) **Patent No.:** **US D885,182 S**

(45) **Date of Patent:** **** May 26, 2020**

(54) **OVERCAP FOR A CONTAINER CLOSURE**

(71) Applicant: **GREIF INTERNATIONAL HOLDING BV**, Vreeland (NL)

(72) Inventor: **Cornelis Van De Klippe**, West Chicago, IL (US)

(73) Assignee: **GREIF INTERNATIONAL HOLDING BV**, Vreeland (NL)

(**) Term: **15 Years**

(21) Appl. No.: **29/604,788**

(22) Filed: **May 19, 2017**

(51) **LOC (12) Cl.** **09-07**

(52) **U.S. Cl.**
USPC **D9/443**

(58) **Field of Classification Search**
USPC D9/428, 429, 432, 434, 435, 436, 439, D9/440, 443, 444, 445, 447, 449-455, D9/499, 500, 503, 504, 705; D7/317, D7/387, 391, 392, 392.1, 393, 396.1, D7/396.2, 509-511, 538, 900; D3/202, D3/203.2, 294, 302, 318; D28/91
CPC .. A61J 1/00; A61J 1/1412; B65D 1/00; B65D 1/02; B65D 1/10; B65D 1/46; B65D 2585/56; B65D 2585/545; B65D 41/00; B65D 41/38; B65D 41/56; B65D 41/62; B65D 47/00; B65D 47/06; B65D 47/08; B65D 2543/00046; B65D 2543/00092; B65D 2543/00296; B65D 5/46; B65D 2251/00; B65D 23/10; B65D 23/104

See application file for complete search history.

(56) **References Cited**

U.S. PATENT DOCUMENTS

D241,621 S * 9/1976 Morris D9/443
D248,376 S * 7/1978 Allen D9/443
D313,754 S * 1/1991 Pomroy D9/435

4,981,229 A * 1/1991 Lanham B65D 41/045
D9/435
4,981,233 A * 1/1991 Scheurer B65B 31/046
D9/435
D322,940 S * 1/1992 Rivera D9/443
D339,958 S * 10/1993 Olsen D7/392.1

(Continued)

FOREIGN PATENT DOCUMENTS

DE 202015008143 U1 12/2015
EP 2144821 A1 1/2010

(Continued)

Primary Examiner — Michael A. Pratt

Assistant Examiner — Wendy L Arminio

(74) *Attorney, Agent, or Firm* — Baker & Hostetler LLP

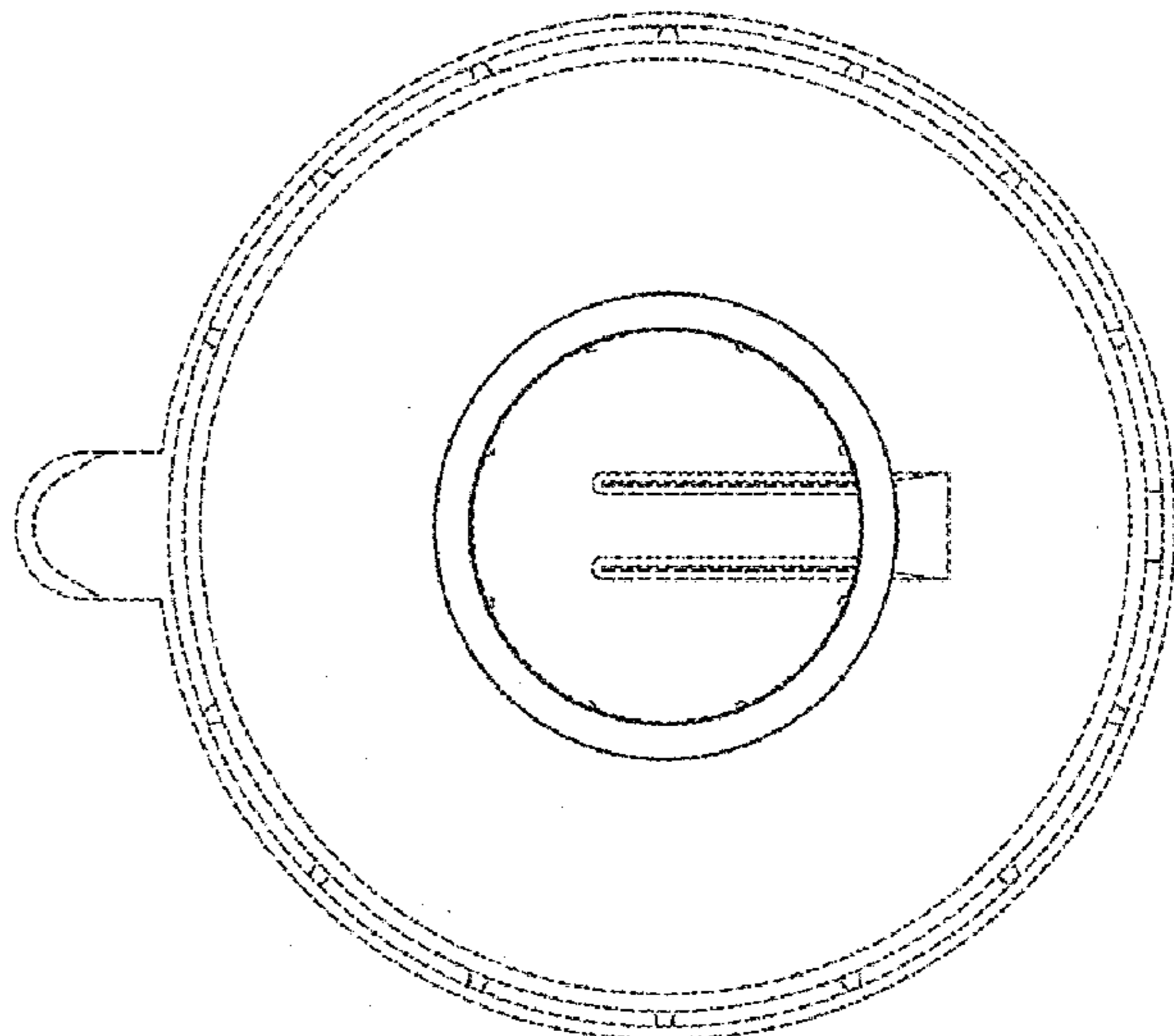
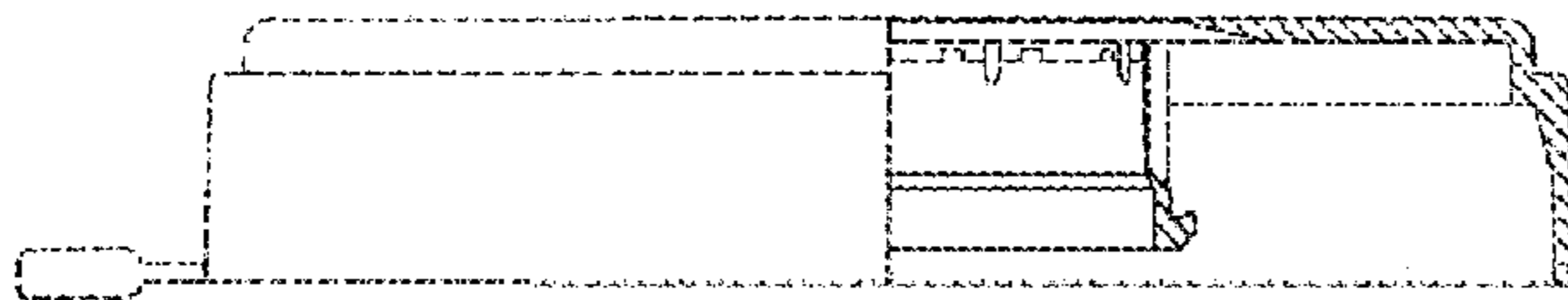
(57) **CLAIM**

The ornamental design for an overcap for a container closure, as shown and described.

DESCRIPTION

FIG. 1 is a top plan view of an overcap for a container closure showing my new design;
FIG. 2 is a partial cross-sectional right side view thereof taken in the direction of line 2-2 in FIG. 1;
FIG. 3 is an underplan view thereof;
FIG. 4 is a front view thereof;
FIG. 5 is a right side view thereof;
FIG. 6 is a rear view thereof;
FIG. 7 is a left side view thereof; and,
FIG. 8 is a cross-sectional view drawn to a larger scale, illustrating an in use engagement between a portion of the overcap for a container closure of FIG. 1 and a container closure drawn in broken lines.
The broken lines in FIG. 8 illustrating a container closure depict environment and form no part of the claimed design. All other broken lines depict portions of the overcap for a container closure that form no part of the claimed design.

1 Claim, 1 Drawing Sheet



(56)

References Cited

U.S. PATENT DOCUMENTS

D359,451	S *	6/1995	Dees	D9/444
D367,818	S *	3/1996	Zana	D9/454
D412,970	S *	8/1999	Whyte	D23/260
D445,687	S *	7/2001	Gilbertson	D9/443
D462,269	S *	9/2002	Hunter	D9/443
6,726,048	B2	4/2004	Dwinell et al.	
D495,600	S *	9/2004	Kouri	D9/435
D527,254	S *	8/2006	Antonelli	D9/435
D528,359	S *	9/2006	Laib	D7/392.1
D614,439	S *	4/2010	Olivari	D7/392.1
D676,745	S *	2/2013	MacNeill	D9/443
D676,746	S *	2/2013	Shaffer	D9/443
D706,909	S *	6/2014	van de Klippe	D23/269
9,434,518	B2 *	9/2016	Ledemeney	B65D 39/08
D772,002	S *	11/2016	Affatato	D7/354
D800,276	S *	10/2017	Taylor	D23/260
D803,677	S *	11/2017	Yang	D9/503
2004/0045965	A1 *	3/2004	Dwinell	B65D 39/08 220/257.2
2005/0121451	A1 *	6/2005	Van Bruggen	B65D 39/082 220/257.2
2010/0301046	A1	12/2010	Schuetz	
2017/0121064	A1 *	5/2017	Taylor	B65D 41/58

FOREIGN PATENT DOCUMENTS

WO	2005056411	A1	6/2005
WO	2008139196	A1	11/2008

* cited by examiner

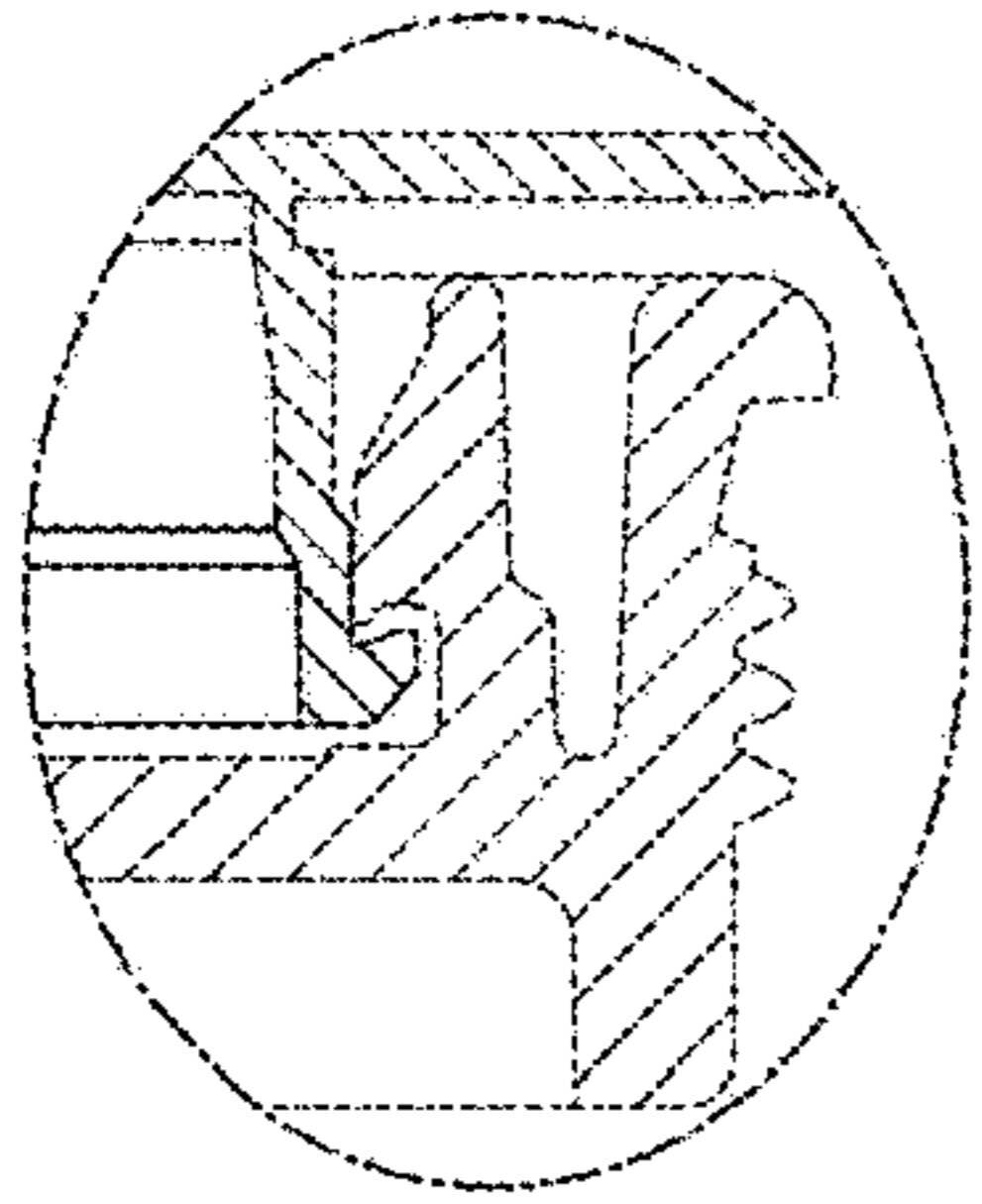
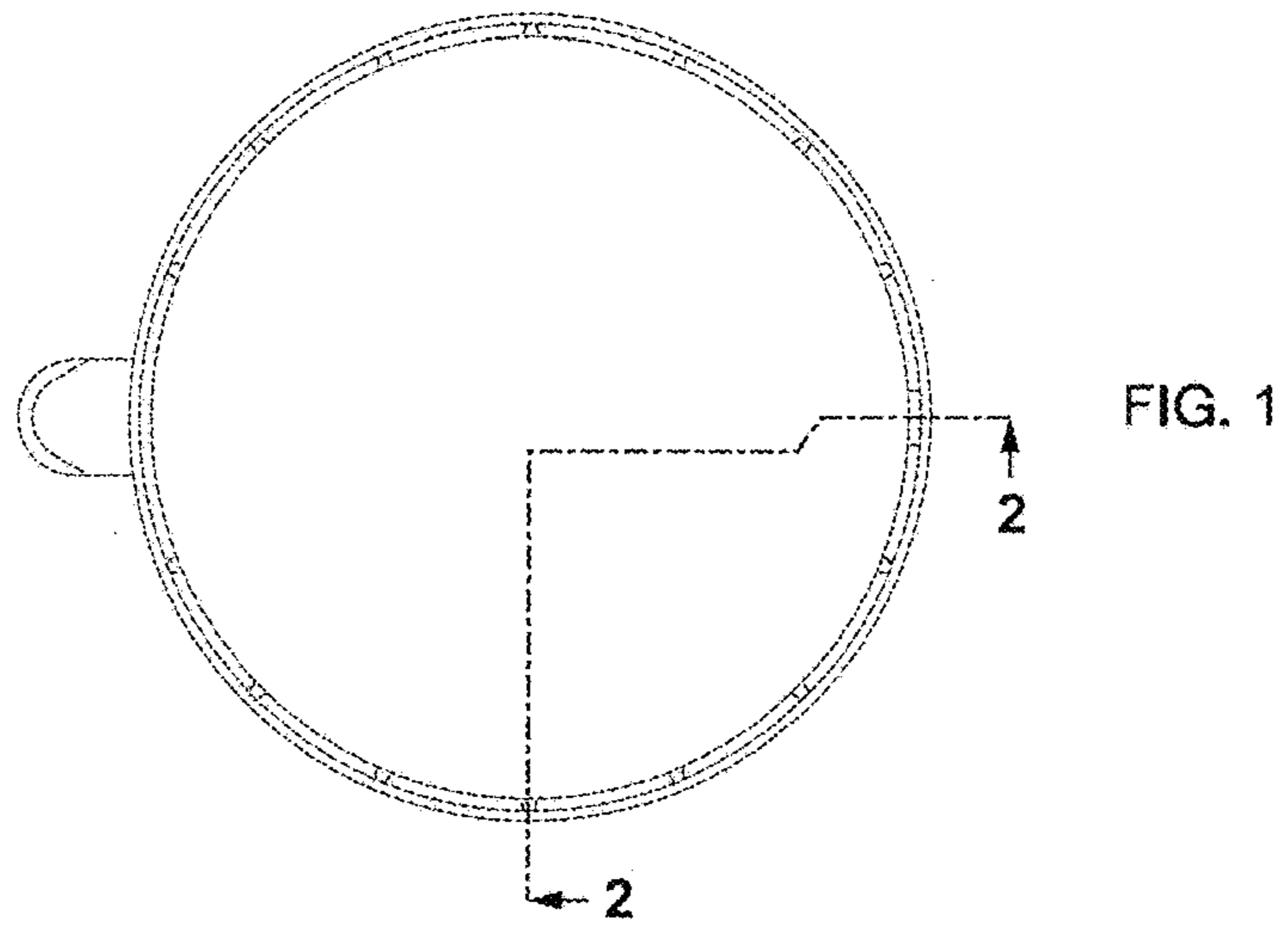


FIG. 8

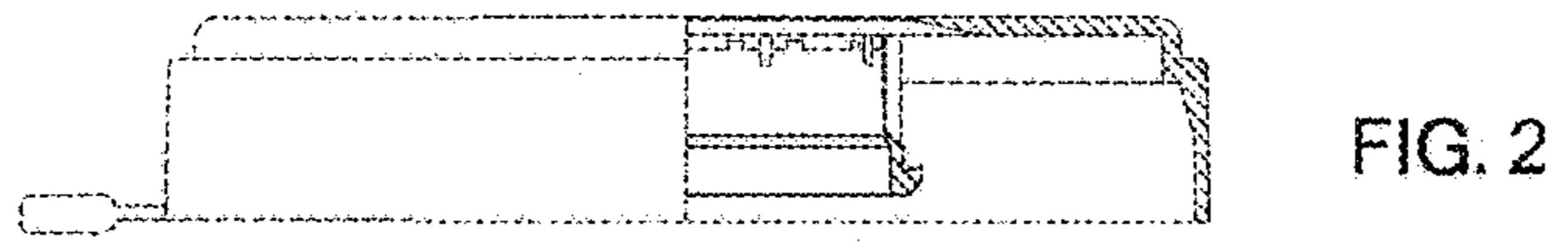


FIG. 2

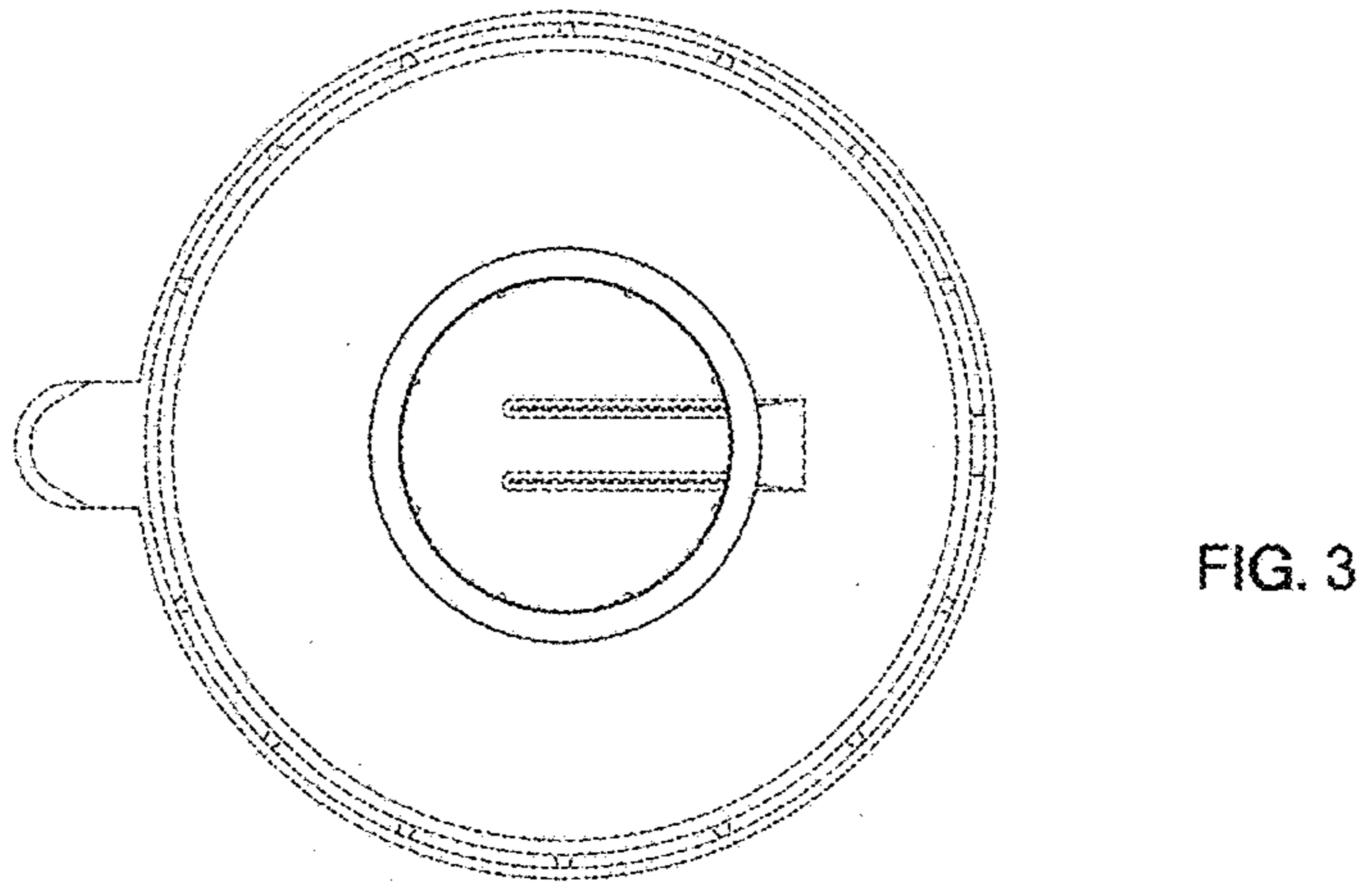


FIG. 3

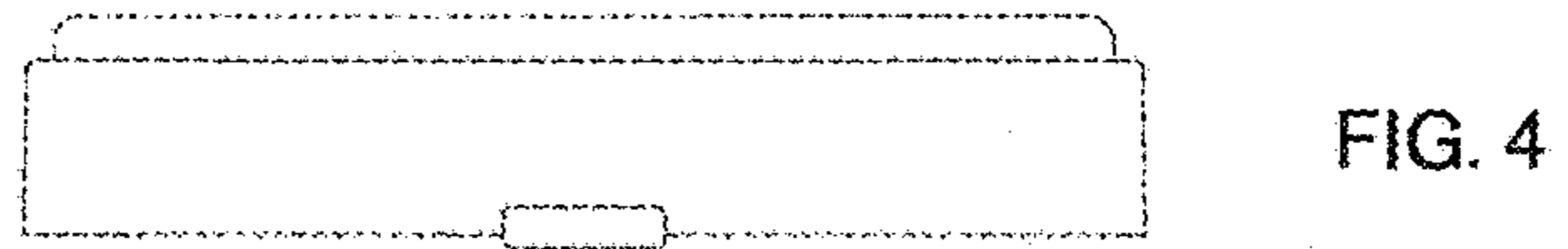


FIG. 4

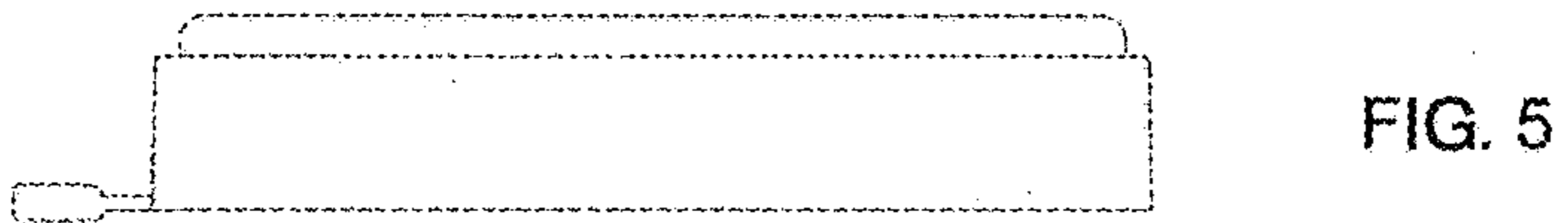


FIG. 5

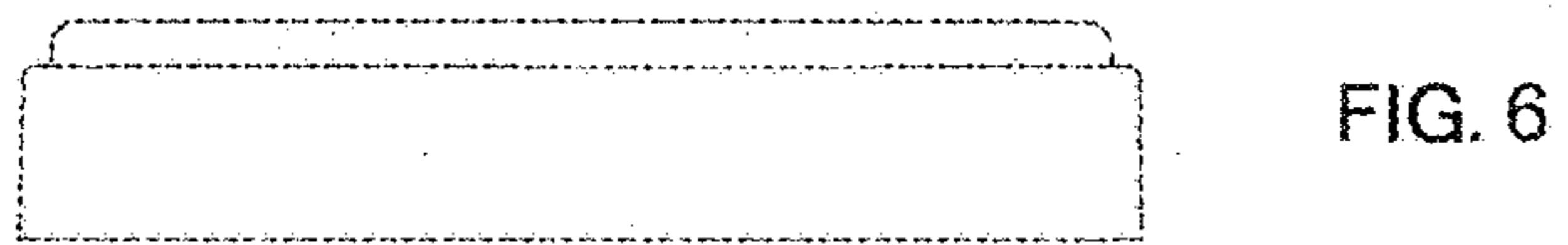


FIG. 6

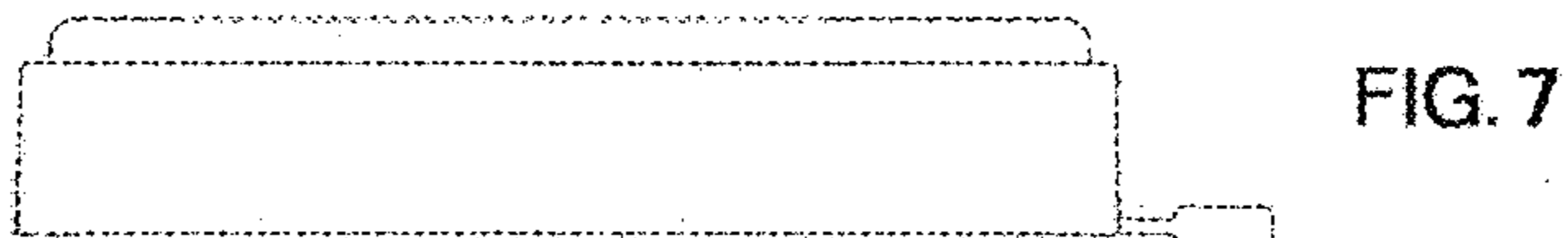


FIG. 7