



US00D885178S

(12) **United States Design Patent** (10) **Patent No.:** **US D885,178 S**  
**Metry** (45) **Date of Patent:** **\*\* May 26, 2020**

(54) **CARD BOX**  
(71) Applicant: **Ashraf Metry**, Spring, TX (US)  
(72) Inventor: **Ashraf Metry**, Spring, TX (US)  
(\*\*) Term: **15 Years**

(21) Appl. No.: **29/678,433**  
(22) Filed: **Jan. 29, 2019**  
(51) **LOC (12) Cl.** ..... **09-03**  
(52) **U.S. Cl.**  
USPC ..... **D9/432; D9/433**  
(58) **Field of Classification Search**  
USPC ..... D9/414-423, 430-433, 434, 456, 457,  
D9/600, 652, 711, 713, 721-722, 737,  
D9/756, 758, 759, 760; D20/10, 22, 27,  
D20/40, 42  
CPC ... B65D 5/00; B65D 5/02; B65D 5/18; B65D  
5/20  
See application file for complete search history.

(56) **References Cited**

**U.S. PATENT DOCUMENTS**

2,766,921	A *	10/1956	Jones	.....	B65D 5/10 229/103.11
D328,375	S *	7/1992	Levine	.....	D34/7
D528,794	S *	9/2006	Lanham	.....	D3/294
D546,679	S *	7/2007	El-Afandi	.....	D9/416
D655,614	S *	3/2012	De Baschmakoff	.....	D9/432
D664,312	S *	7/2012	Bizzle	.....	D30/161
D761,551	S *	7/2016	Stueckemann	.....	D3/203.1
D766,718	S *	9/2016	Beckers	.....	D9/433
D772,061	S *	11/2016	O'Dowd	.....	D9/432
D779,936	S *	2/2017	Thompson	.....	D9/433
D786,062	S *	5/2017	Ogdon	.....	D9/432
D808,824	S *	1/2018	Dupin	.....	D9/761

D823,696	S *	7/2018	O'Neill	.....	D9/711
D833,866	S *	11/2018	Lihotzky	.....	D9/432
D854,420	S *	7/2019	Grip	.....	D9/679
2014/0166736	A1 *	6/2014	Kato	.....	B65D 5/646 229/121
2017/0050797	A1 *	2/2017	Farid	.....	B65D 77/0413

**OTHER PUBLICATIONS**

Gold Card Box—White/Gold-Foil Satin Ribbon & Cards Label.  
[online] Published as early as Jan. 4, 2019. Retrieved from URL:  
[https://www.amazon.com/Gold-Card-Box-Graduations-Expressions/dp/B07L1C5Z9F/ref=cm\\_cr\\_arp\\_d\\_product\\_top?ie=UTF8](https://www.amazon.com/Gold-Card-Box-Graduations-Expressions/dp/B07L1C5Z9F/ref=cm_cr_arp_d_product_top?ie=UTF8).\*

\* cited by examiner

*Primary Examiner* — Vy N Koenig

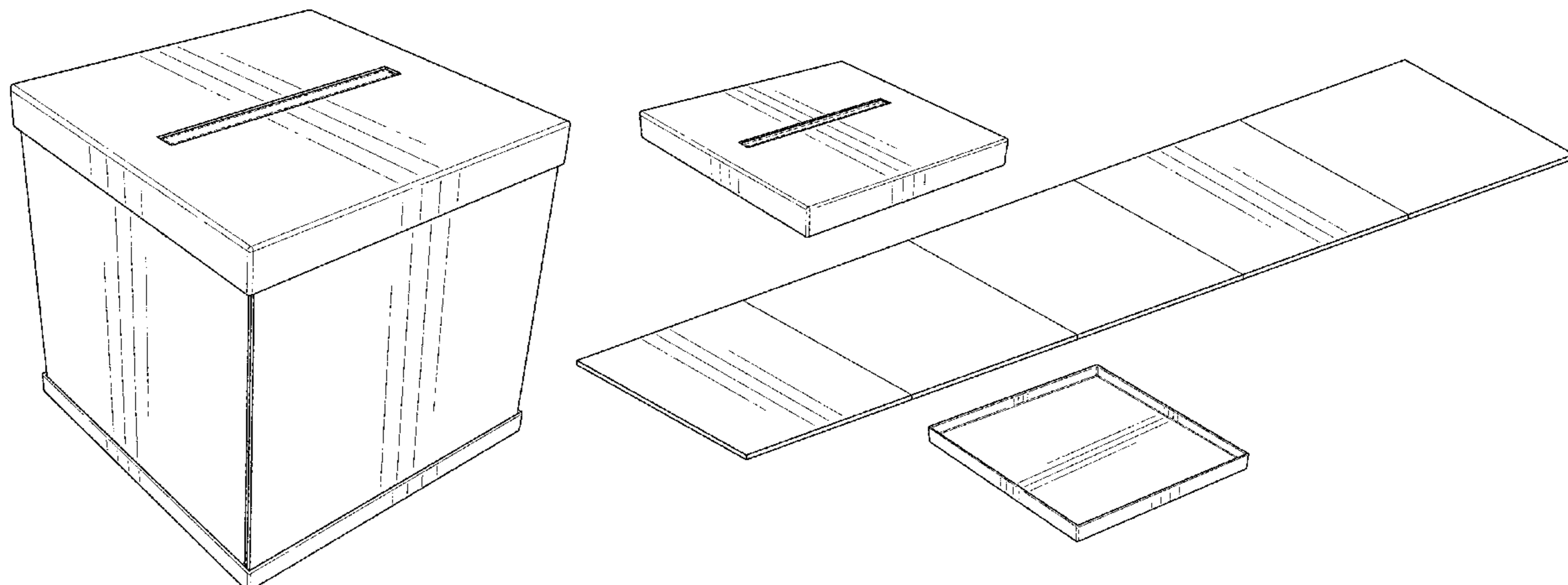
(57) **CLAIM**

The ornamental design for a card box, as shown and described.

**DESCRIPTION**

FIG. 1 is a perspective view of a card box illustrating my new design;  
FIG. 2 is a front view of the card box;  
FIG. 3 is a rear view of the card box;  
FIG. 4 is a left side view of the card box;  
FIG. 5 is a right side view of the card box;  
FIG. 6 is a top view of the card box;  
FIG. 7 is a bottom view of the card box;  
FIG. 8 is an exploded view of the card box of FIG. 1 that shows how a top portion, a middle portion and a bottom portion fit together; and,  
FIG. 9 is another exploded view of the card box of FIG. 1 with the middle portion shown in an unfolded condition.  
The broken lines in the drawings depict environmental subject matter only and form no part of the claimed design.

**1 Claim, 9 Drawing Sheets**



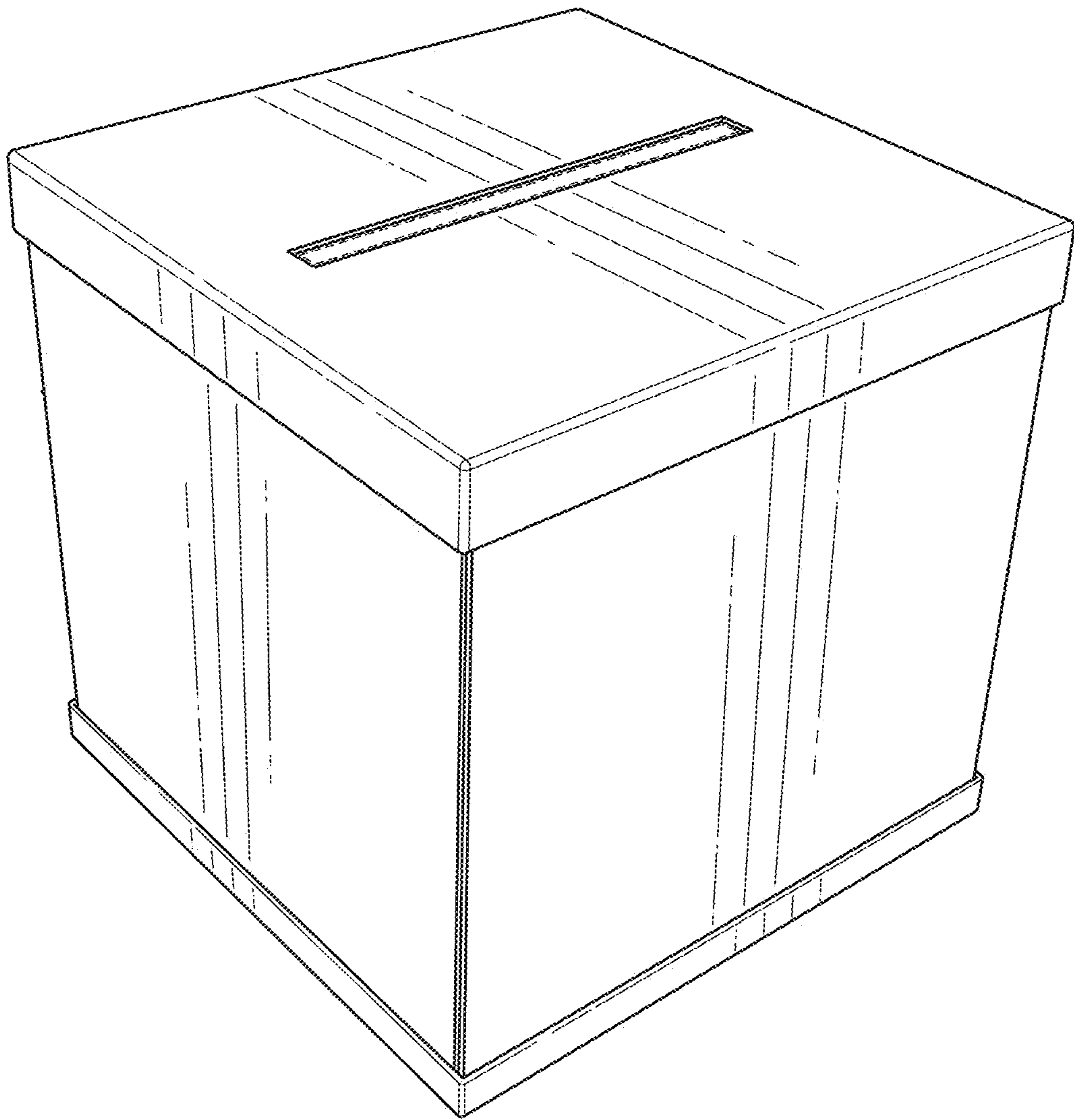


FIG. 1

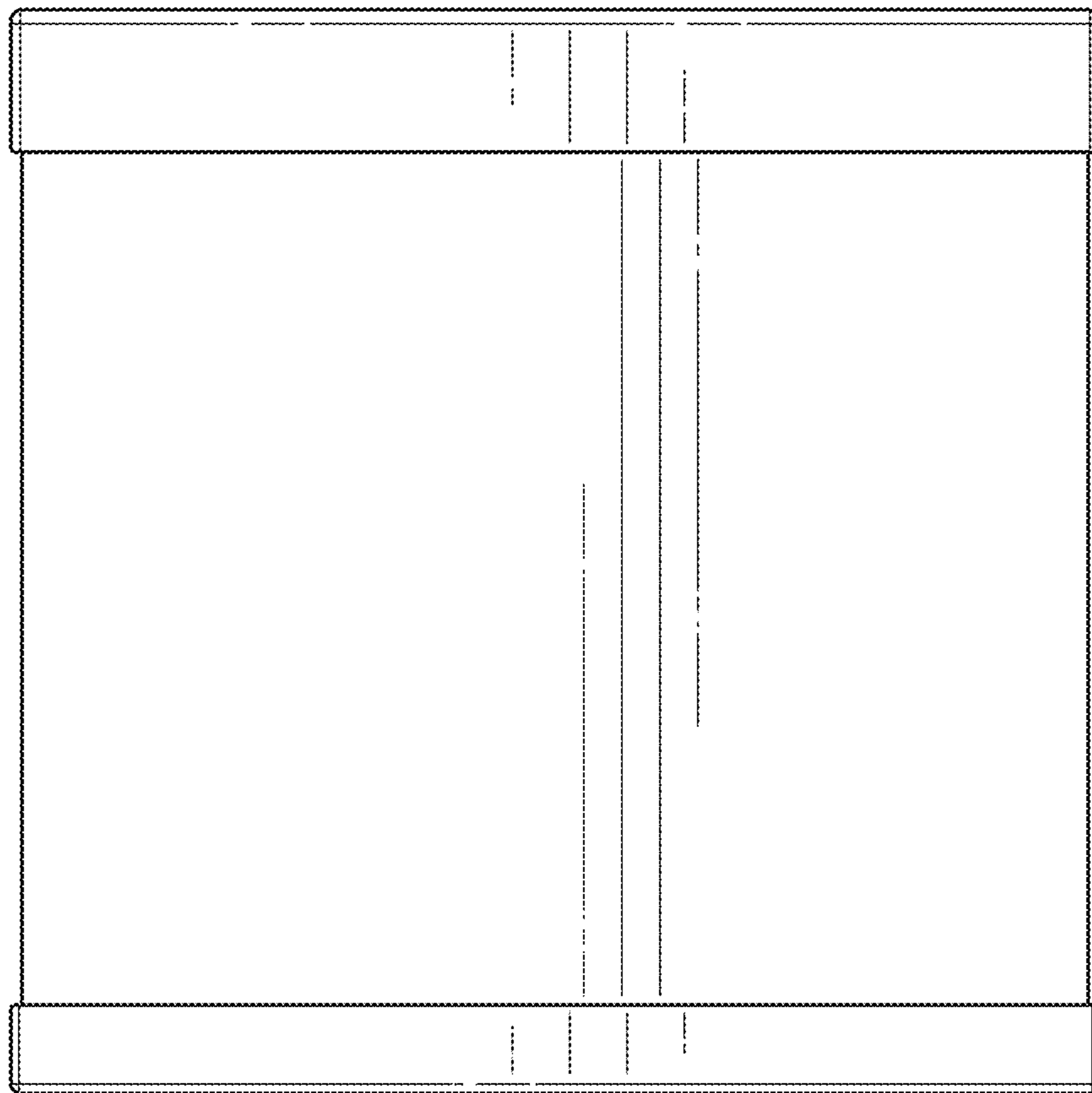


FIG. 2

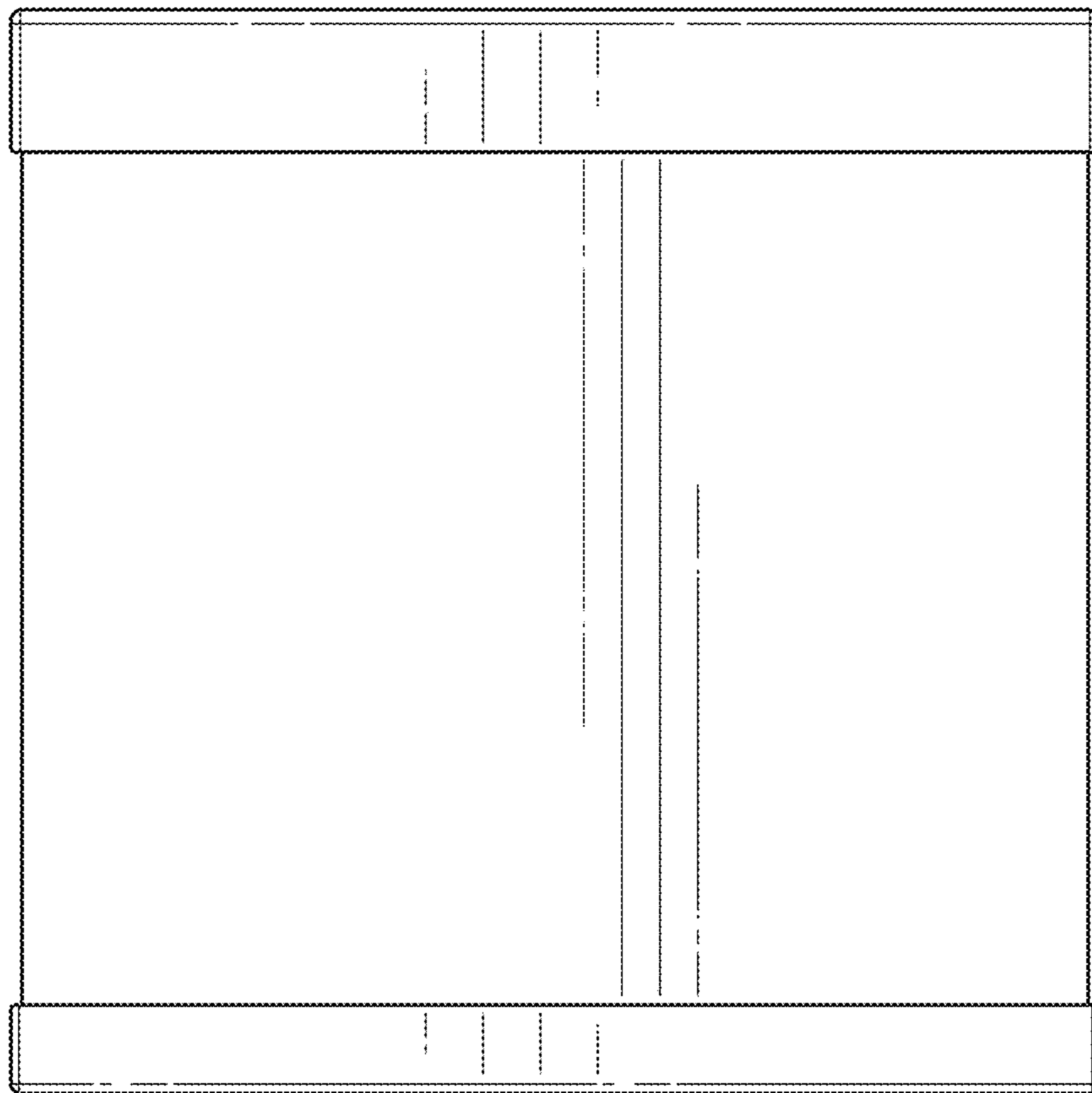


FIG. 3

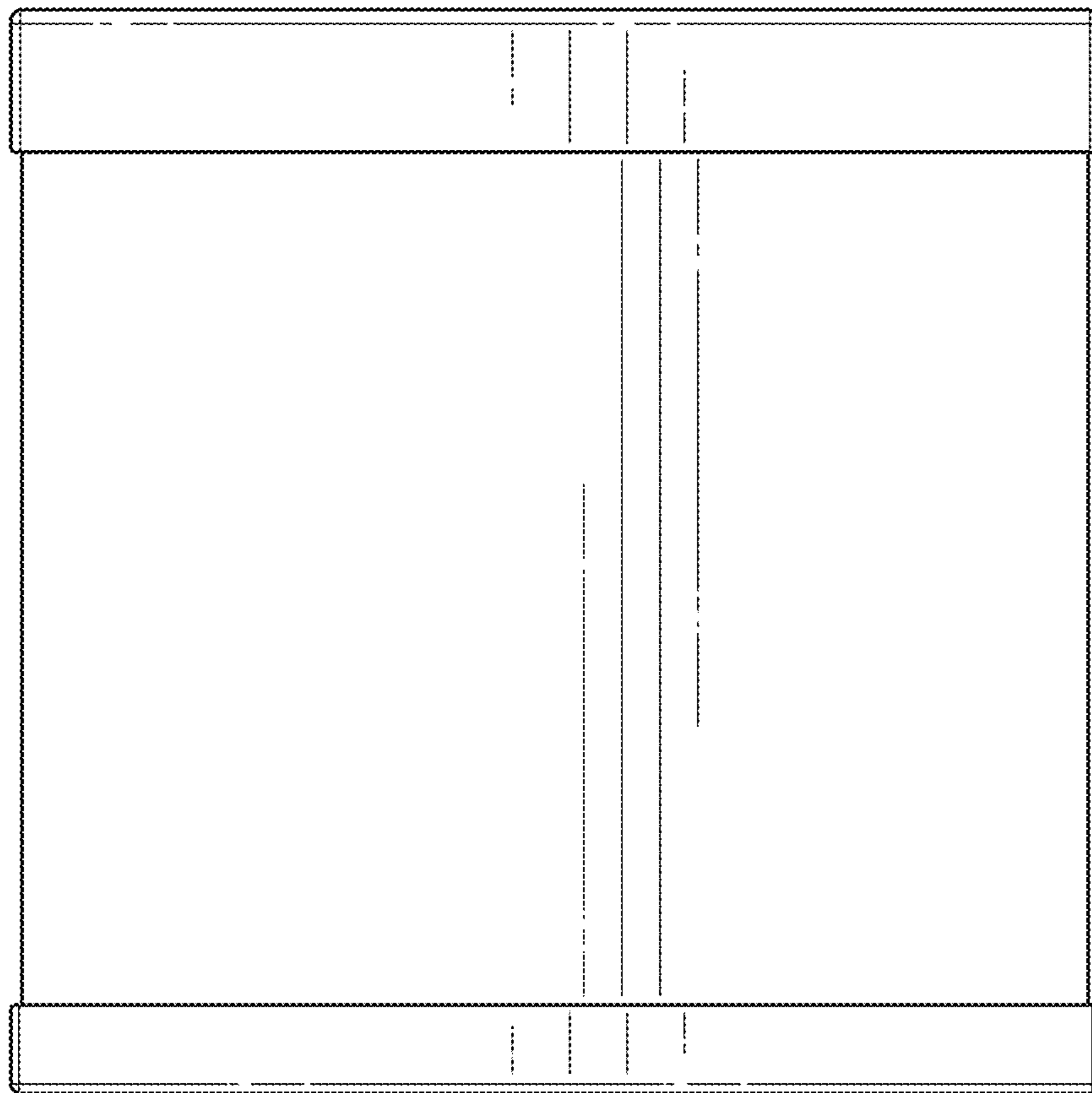


FIG. 4

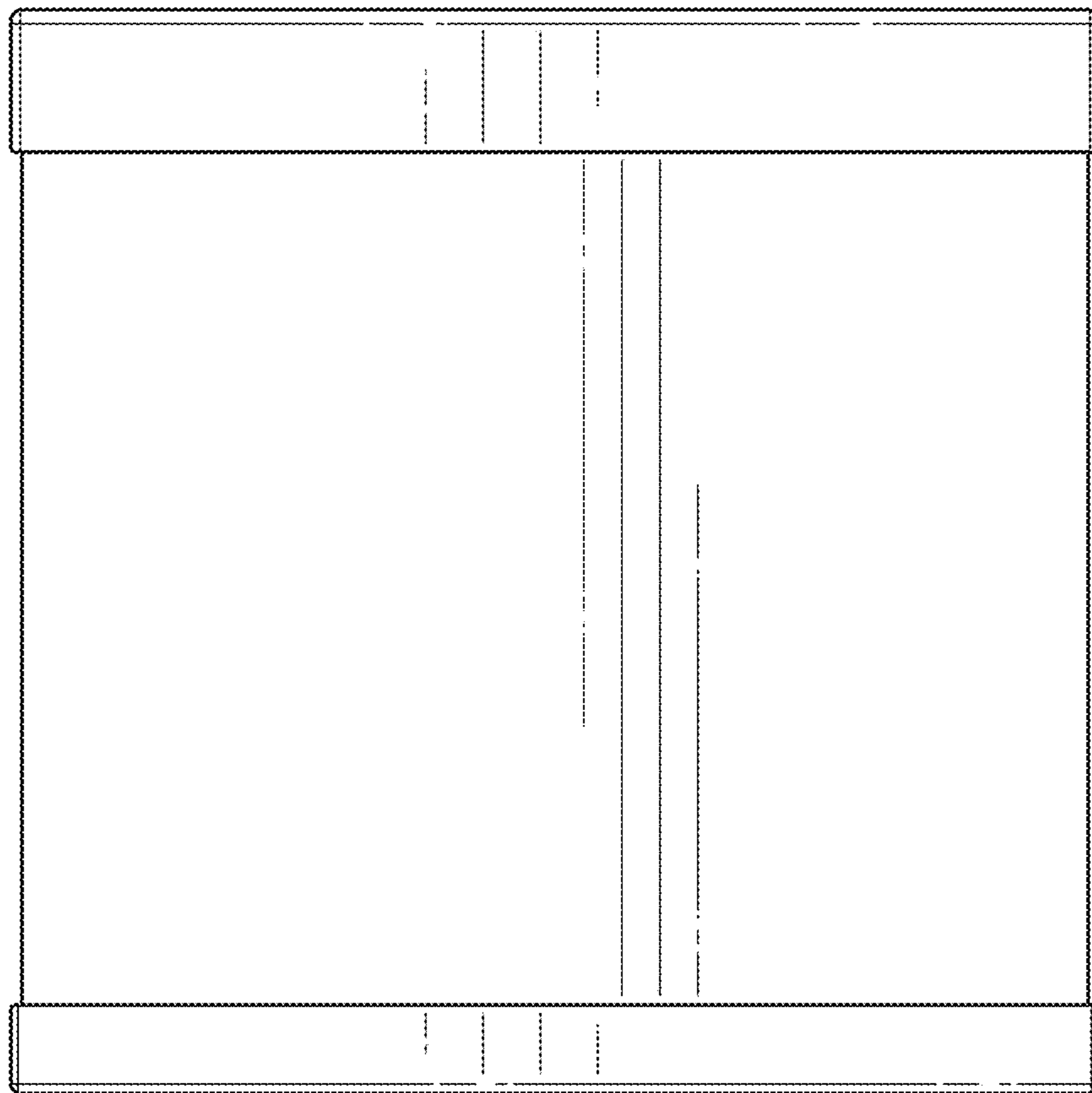


FIG. 5

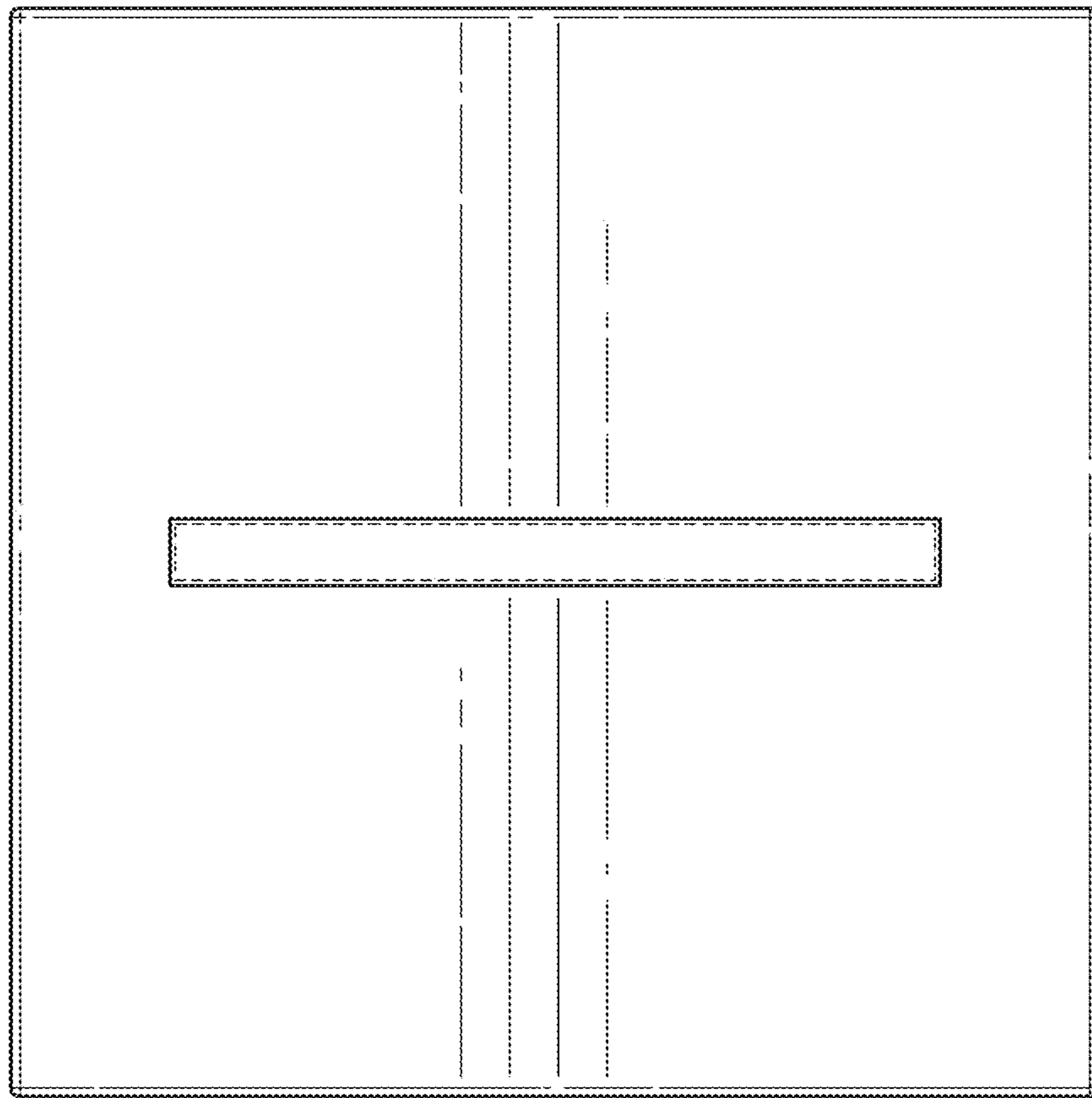


FIG. 6

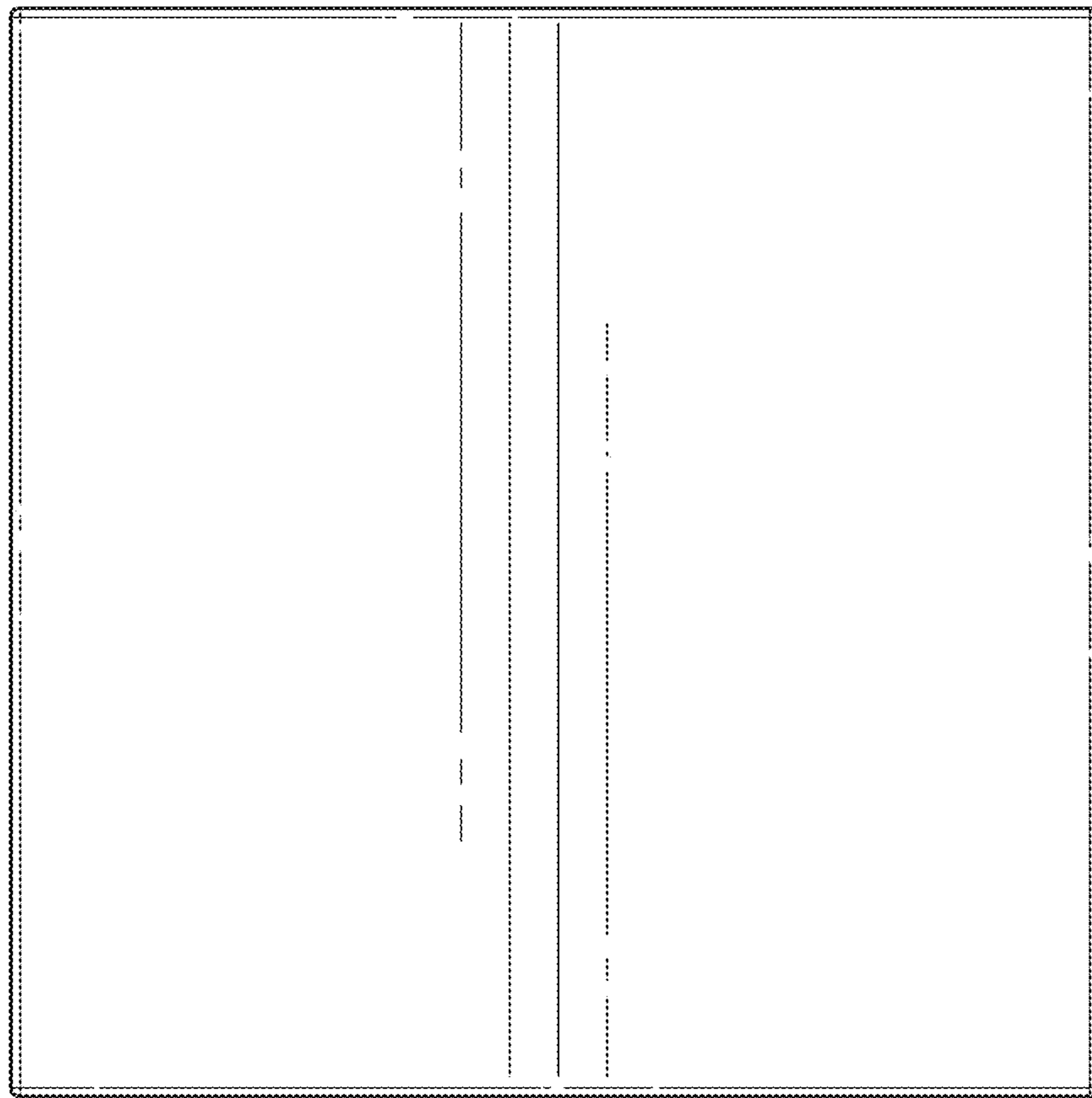
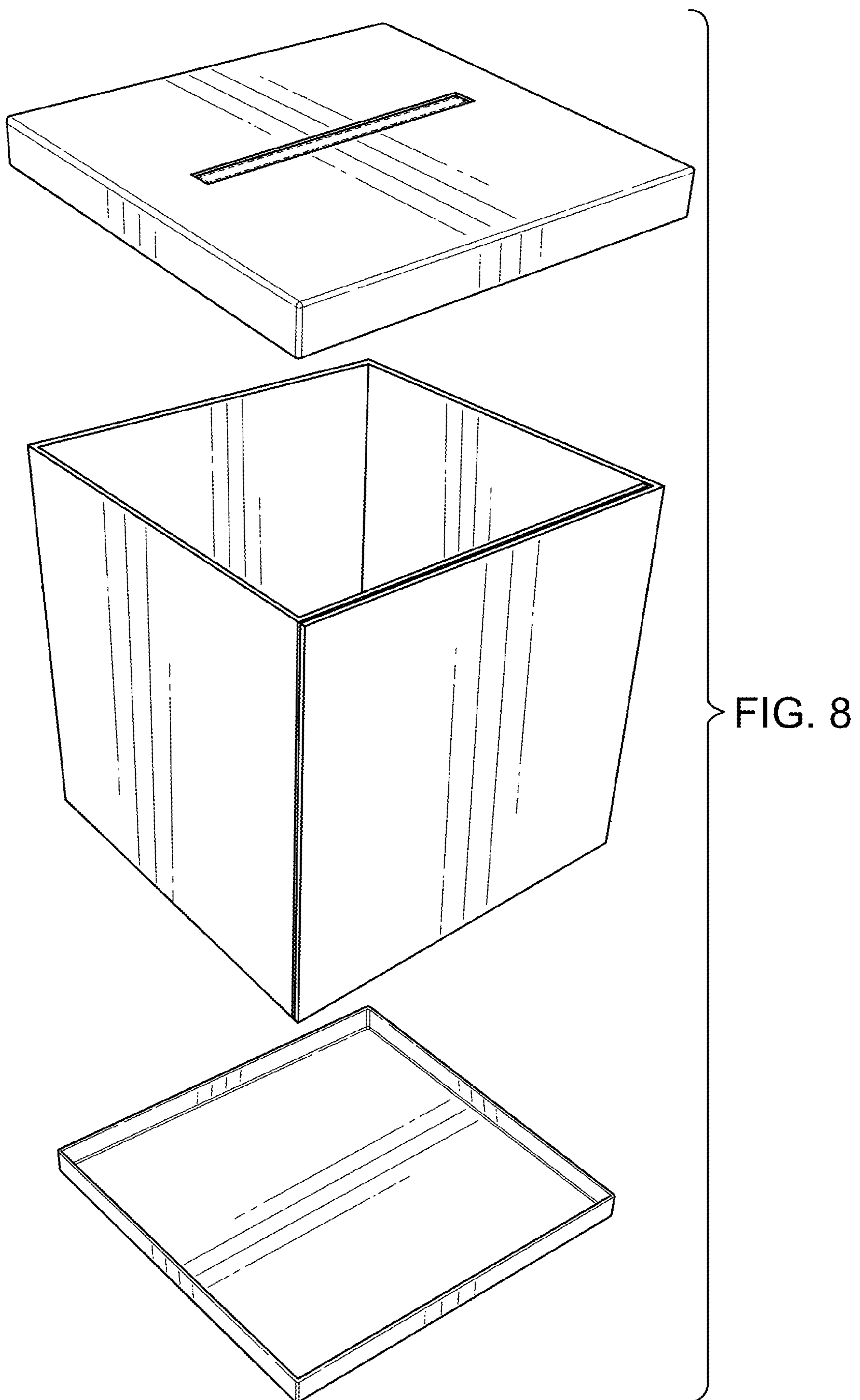


FIG. 7





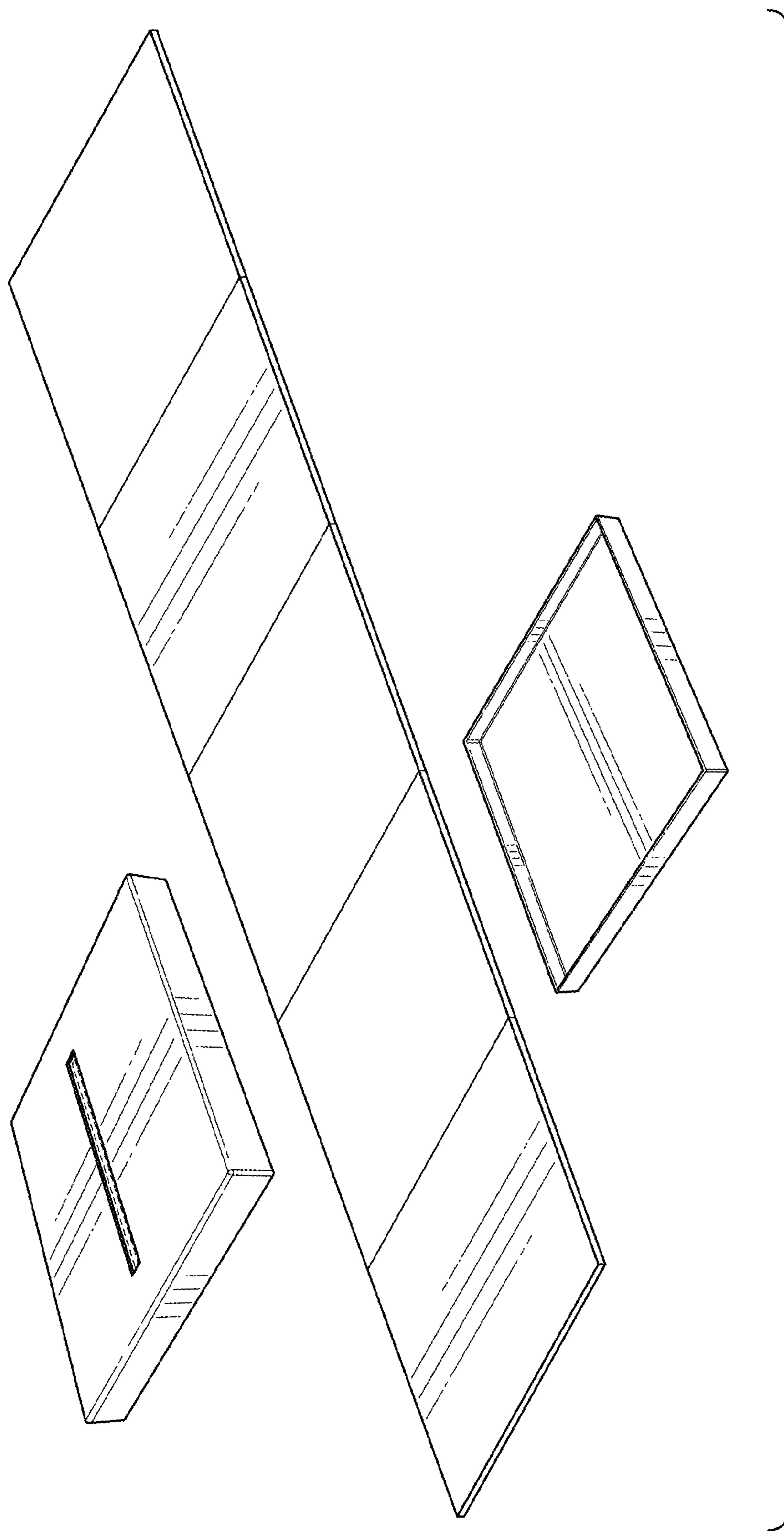


FIG. 9