



US00D885177S

(12) **United States Design Patent** (10) **Patent No.:** **US D885,177 S**
Sevšek (45) **Date of Patent:** **** May 26, 2020**

(54) **BOX**
(71) Applicant: **Sašo Sevšek**, Borovnica (SI)
(72) Inventor: **Sašo Sevšek**, Borovnica (SI)
(**) Term: **15 Years**
(21) Appl. No.: **29/671,572**
(22) Filed: **Nov. 28, 2018**
(51) **LOC (12) Cl.** **09-03**
(52) **U.S. Cl.**
USPC **D9/431; D9/433**
(58) **Field of Classification Search**
USPC D9/414-423, 424-429, 430-433, 434,
D9/456, 457, 711, 713, 721-722, 737,
D9/756, 758, 759, 760; D3/272-274,
D3/290, 304, 305, 315; D20/10, 22, 27,
D20/40, 42
CPC ... B65D 5/00; B65D 5/02; B65D 5/18; B65D
5/20
See application file for complete search history.

D740,564 S * 10/2015 Scott D3/304
9,242,759 B2 * 1/2016 Scott B65D 5/68
D764,279 S * 8/2016 Sevšek D9/431
D805,894 S * 12/2017 Lee D9/431
D808,258 S * 1/2018 Lee D9/431
D812,467 S * 3/2018 Lee D9/433
D869,947 S * 12/2019 Mitchell D9/433
2009/0173773 A1 * 7/2009 Blin B65D 5/4608
229/117.16

* cited by examiner

Primary Examiner — Vy N Koenig
(74) *Attorney, Agent, or Firm* — Studebaker & Brackett
PC

(57) **CLAIM**

The ornamental design for a box, as shown and described.

DESCRIPTION

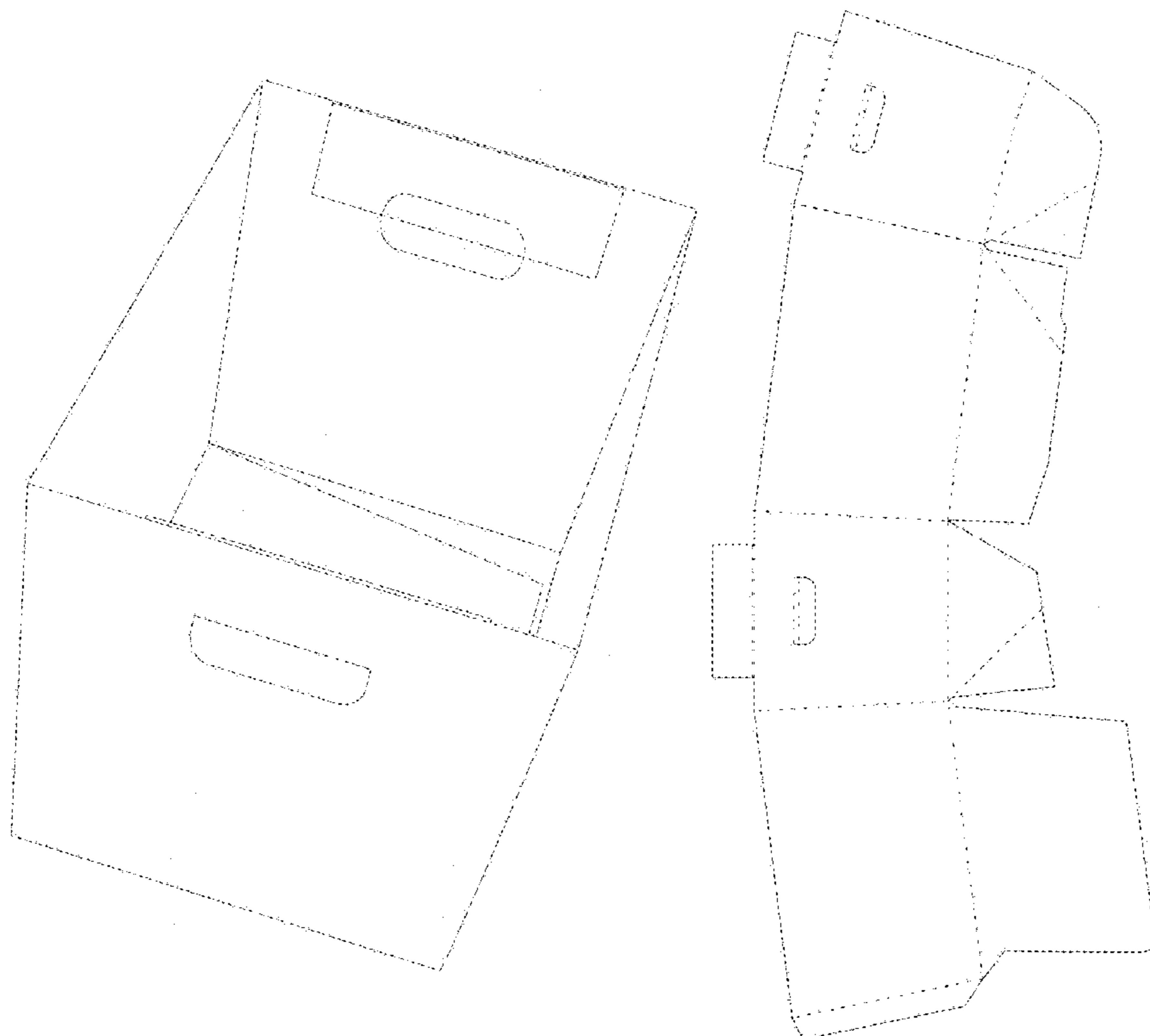
FIG. 1 is a front perspective view showing my new design for a box,
FIG. 2 is a side view thereof, the opposite side being a mirror image thereof,
FIG. 3 is a front view, the rear view being a mirror image thereof,
FIG. 4 is a top view thereof,
FIG. 5 is a bottom view thereof; and,
FIG. 6 is a top plan view of the box of FIG. 1 in an unfolded blank configuration.
The dotted lines represent folding lines and are part of the claimed design.

(56) **References Cited**

U.S. PATENT DOCUMENTS

D326,341 S * 5/1992 Frauhiger D3/313
D369,744 S * 5/1996 Cai D9/433
D398,228 S * 9/1998 Herbst D9/433
D437,222 S * 2/2001 Goldberg D9/432
D505,069 S * 5/2005 Keberlein D9/416
D673,368 S * 1/2013 Scott D3/304
D718,618 S * 12/2014 Perez D9/433

1 Claim, 6 Drawing Sheets



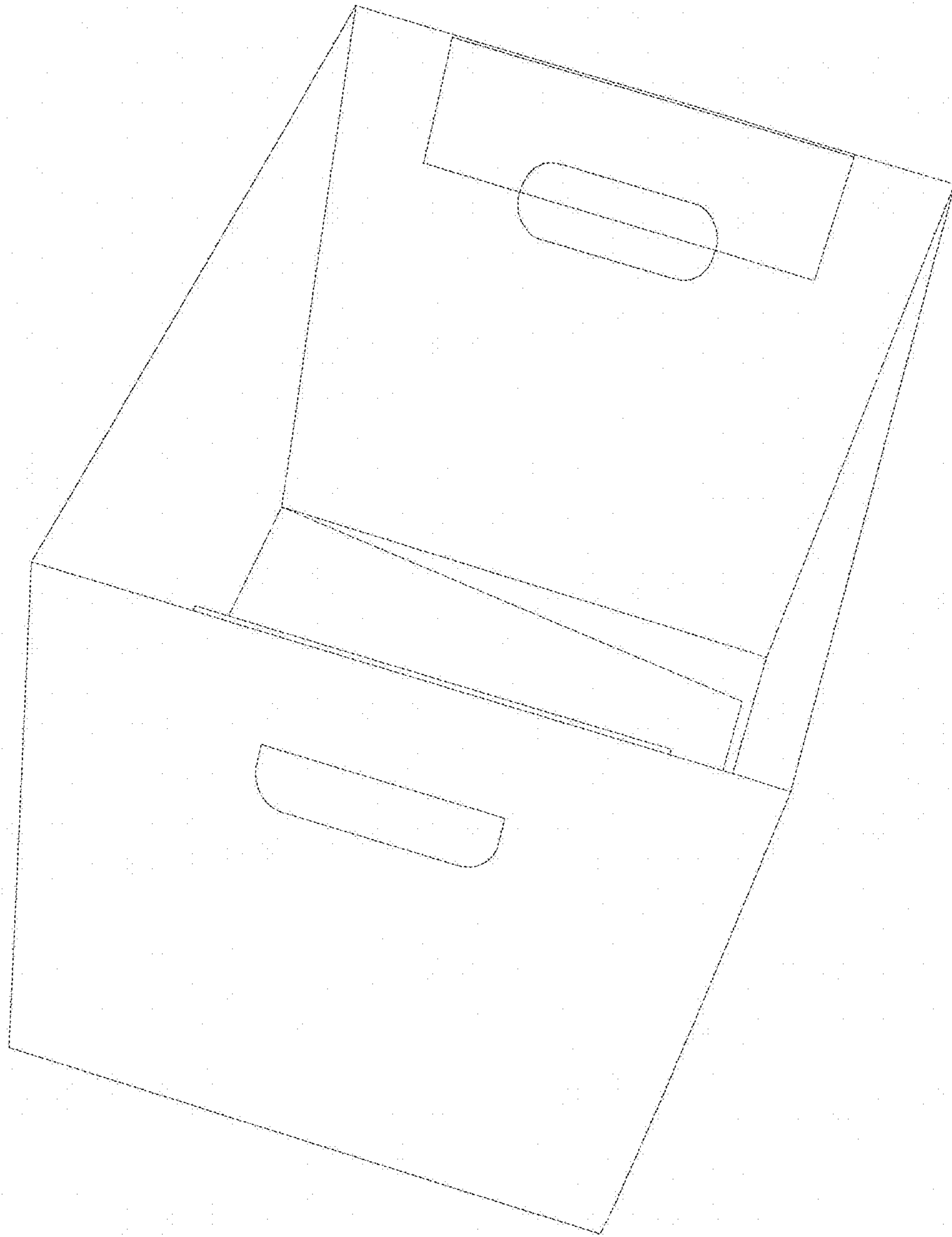


FIG. 1

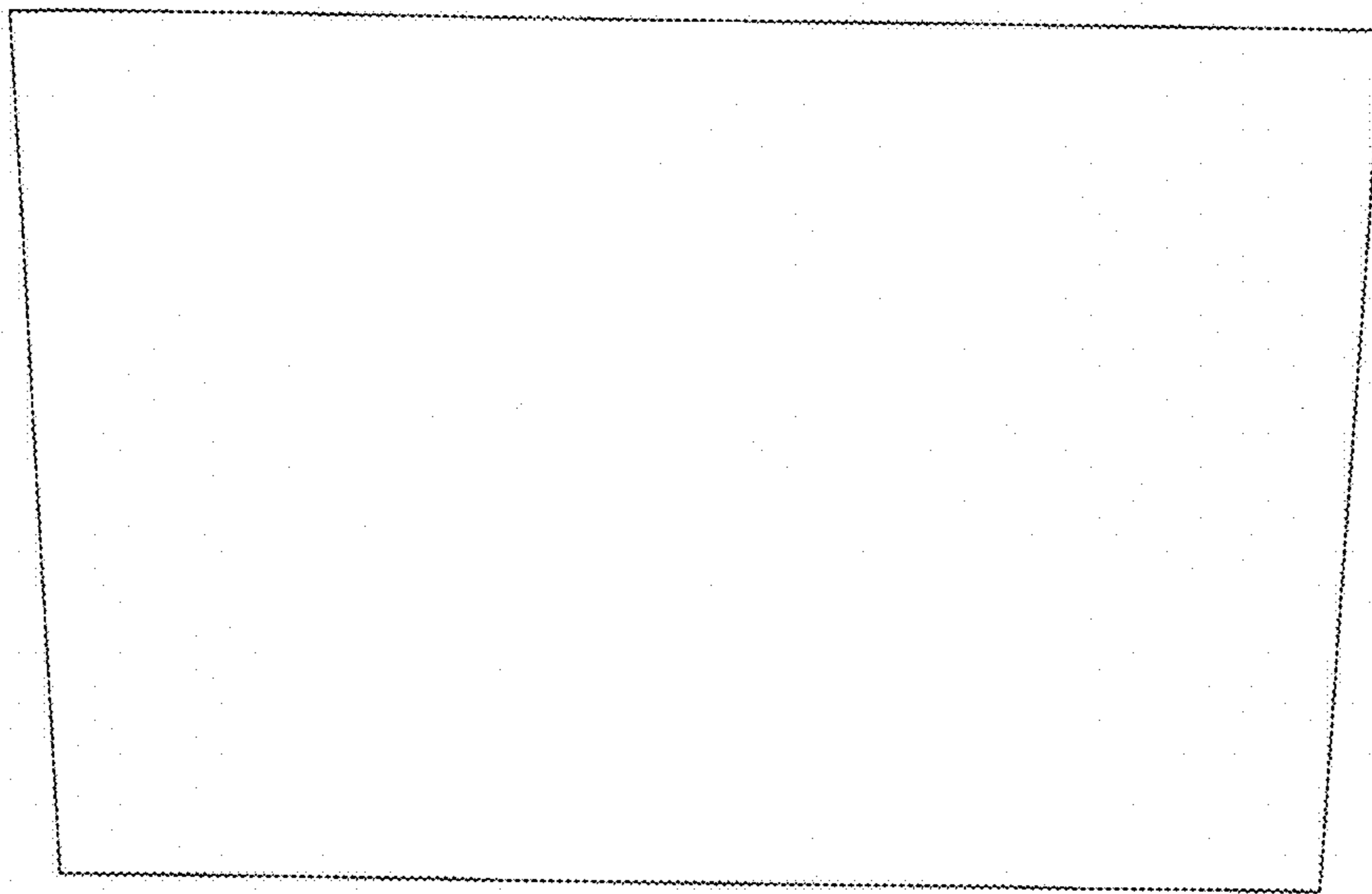


FIG. 2

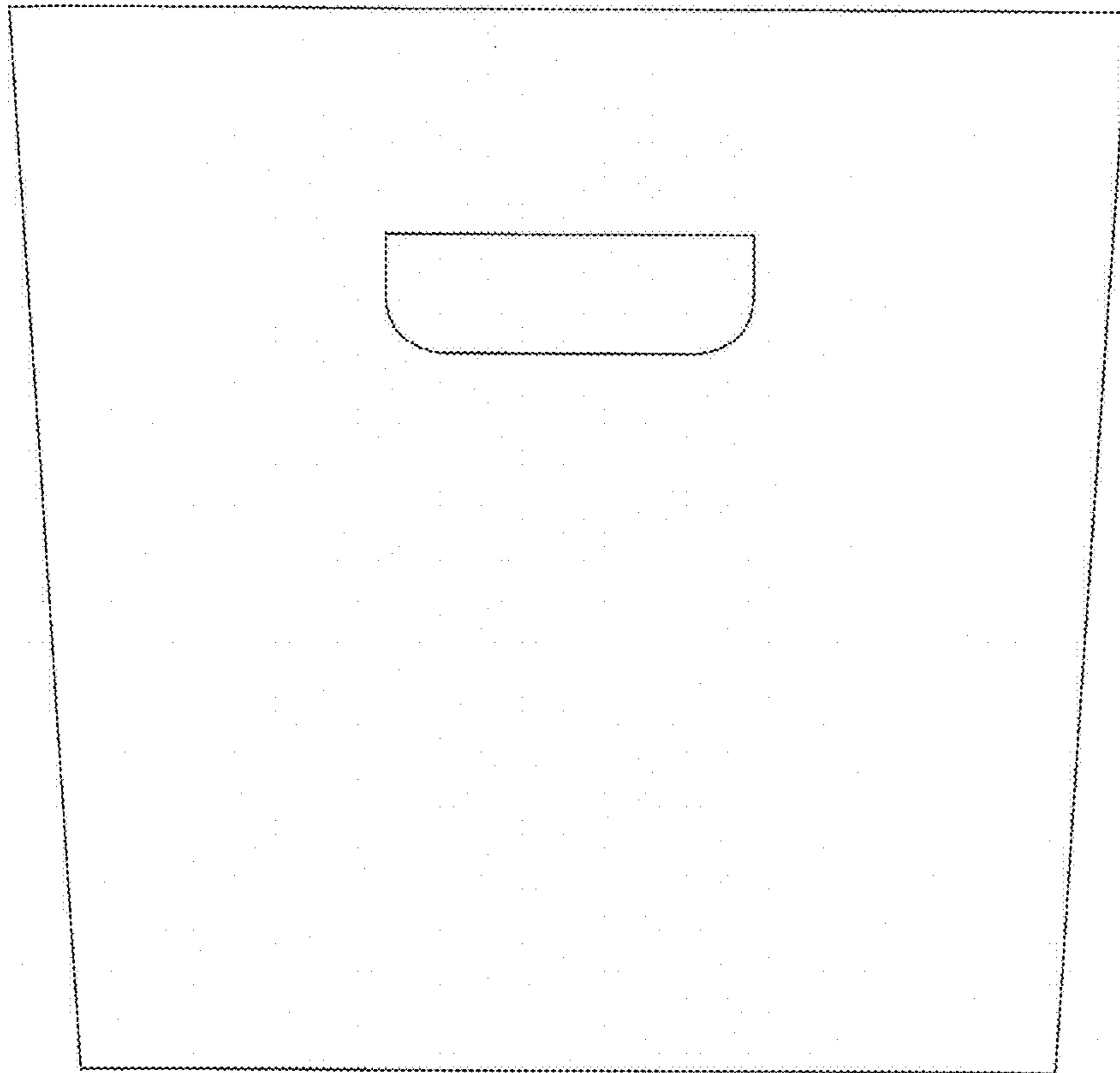


FIG. 3

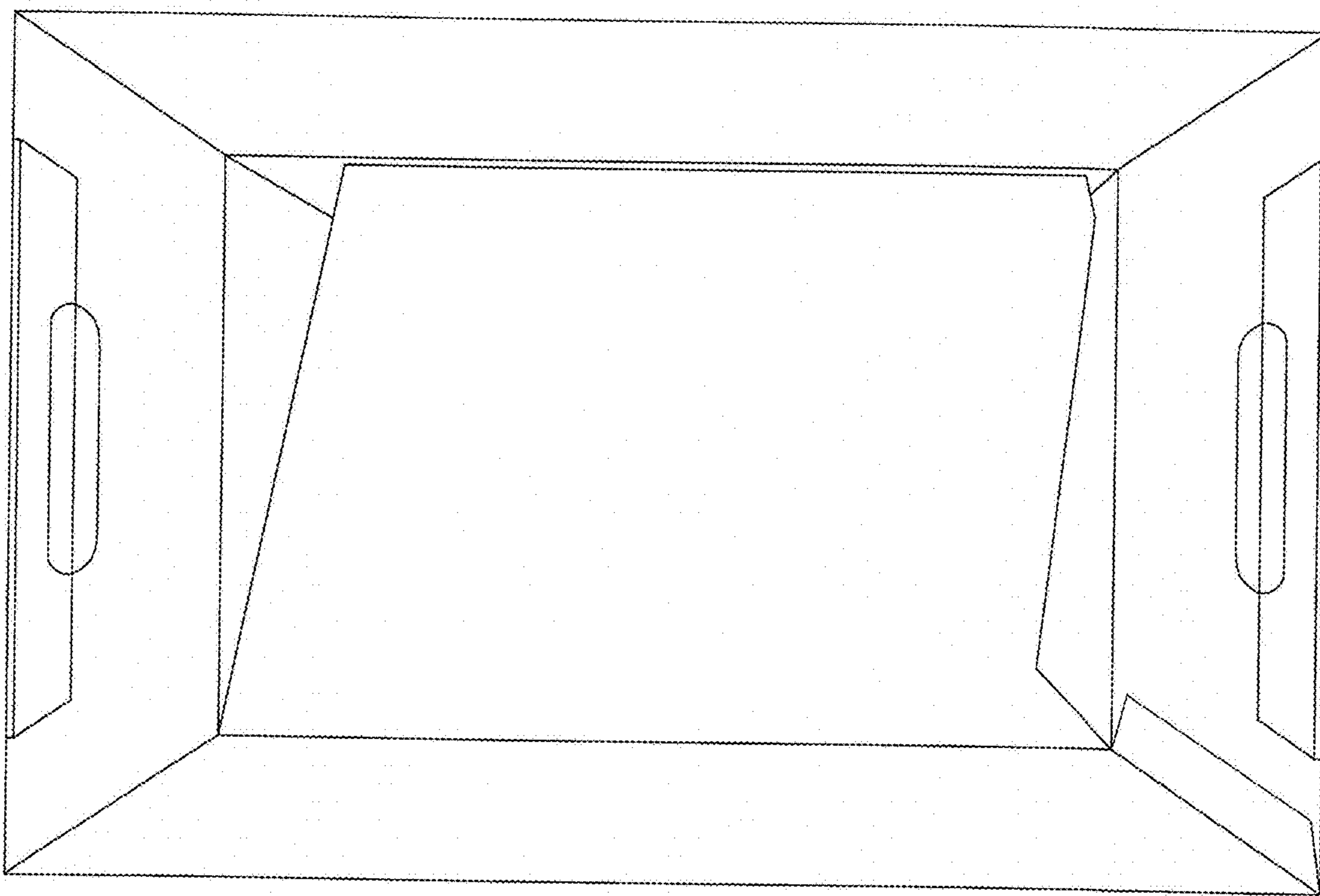


FIG. 4

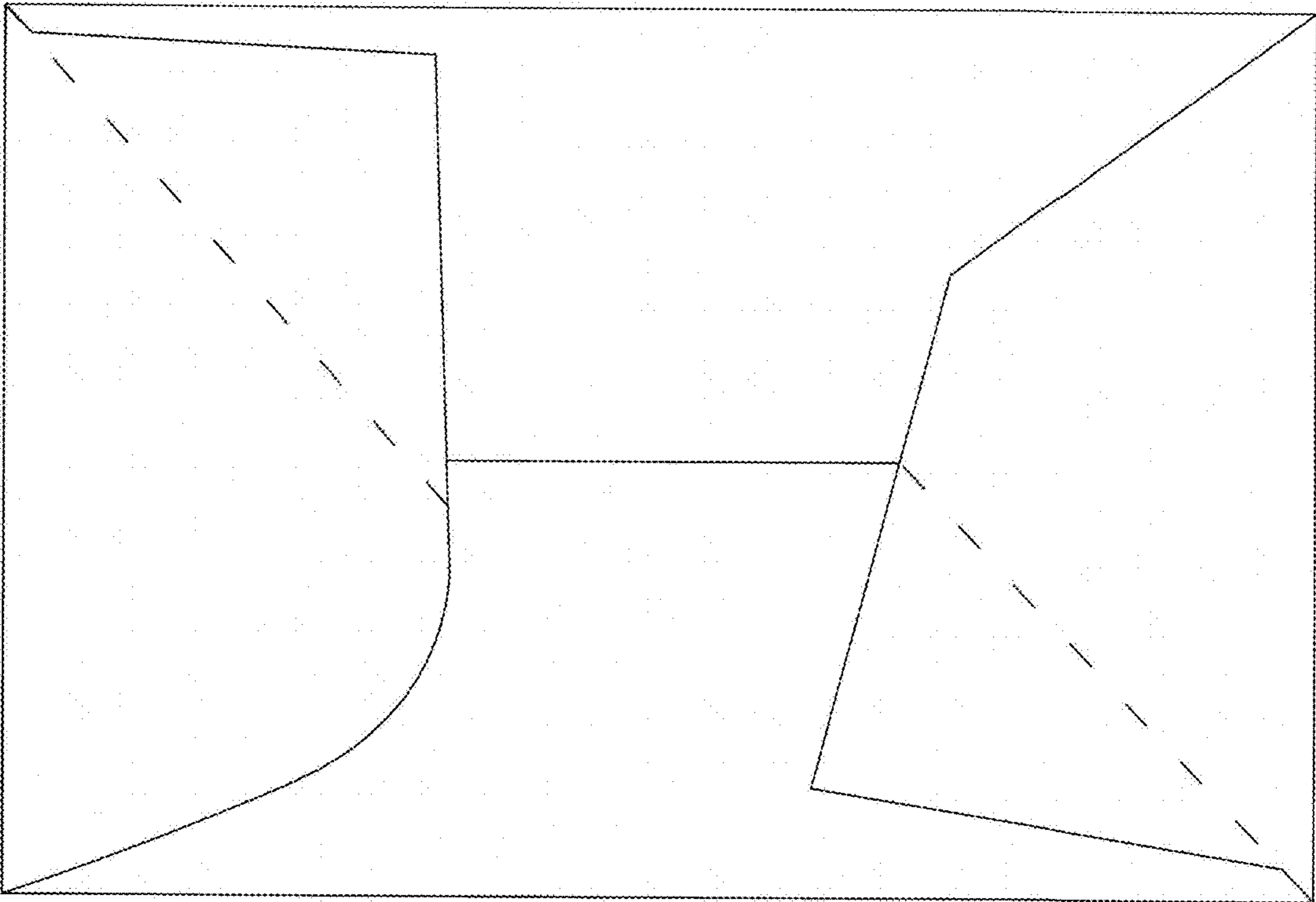


FIG. 5

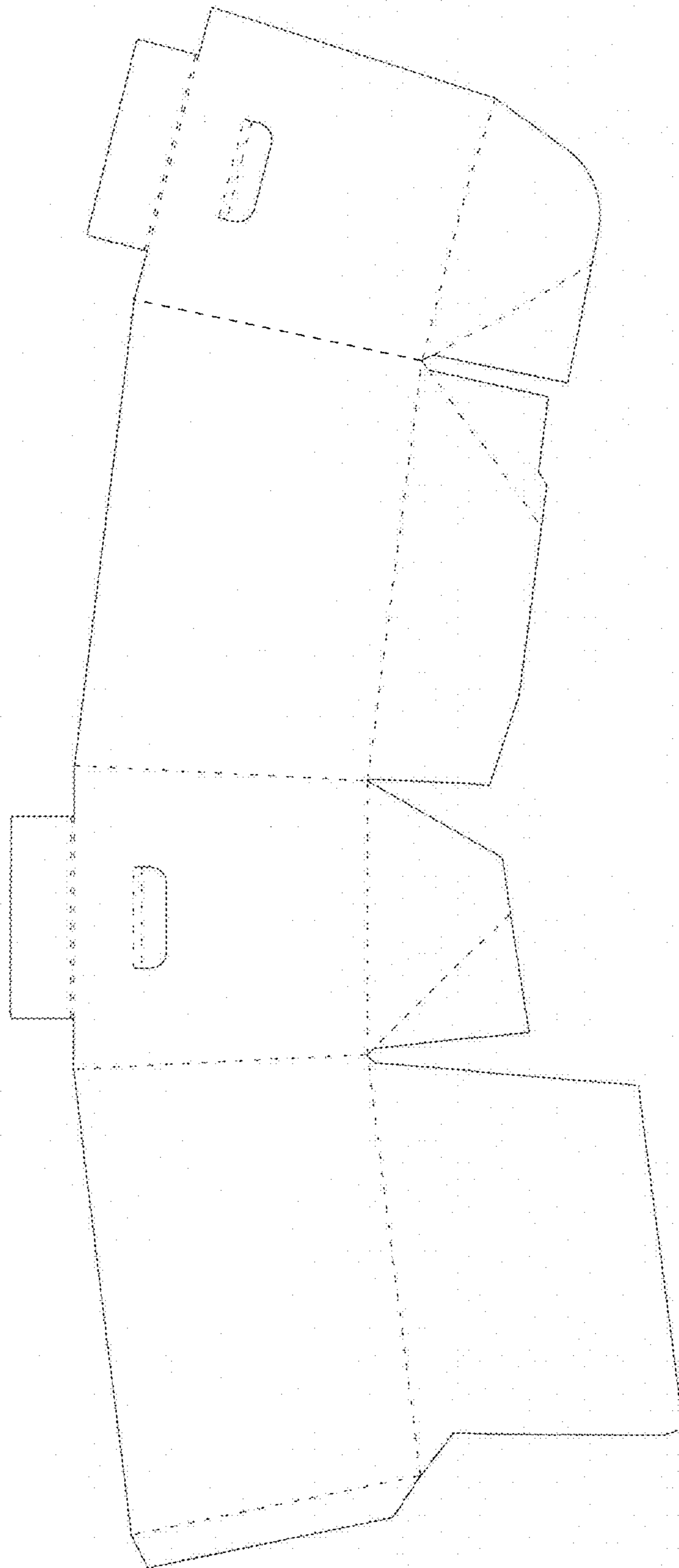


FIG. 6