

US00D885176S

(12) **United States Design Patent** (10) **Patent No.:** **US D885,176 S**
Lee (45) **Date of Patent:** **** May 26, 2020**

(54) **DISPLAY CARD FOR TIE AND JEWELRY ACCESSORY**

(71) Applicant: **In Y. Lee**, Great Neck, NY (US)

(72) Inventor: **In Y. Lee**, Great Neck, NY (US)

(**) Term: **15 Years**

(21) Appl. No.: **29/633,892**

(22) Filed: **Jan. 17, 2018**

(51) **LOC (12) Cl.** **09-03**

(52) **U.S. Cl.**
USPC **D9/415**

(58) **Field of Classification Search**
USPC D3/20, 202, 203, 203.2, 203.6, 203.7, D3/207, 242, 318; D7/387, 602, 619.1, D7/619.2, 620, 621, 622, 321, 392, 392.1, D7/396.2, 396.3, 397, 398; D9/700, 701, D9/702, 721, 722, 501, 643, 648, 655, D9/748, 414, 415, 416, 418, 424, 433, D9/434, 435, 437, 438, 456, 457; D20/10, 11, 22, 23, 27, 28, 40, 42, 44; D24/188, 189, 145, 224, 225, 227, 229; D23/211.1, 212
CPC B65D 17/4014; B65D 17/0014; B65D 17/0025; B65D 17/0044; B65D 25/325; B65D 43/162; B65D 23/10; B65D 73/0014; B65D 85/00; B65D 2203/00; A01N 1/0263; A47J 45/077; A47J 45/07; A63H 27/001

See application file for complete search history.

(56) **References Cited**

U.S. PATENT DOCUMENTS

D213,309 S * 2/1969 Appeal D9/415
4,168,002 A * 9/1979 Crosby A01C 1/04
206/459.5
4,257,522 A * 3/1981 Thorneburg B65D 75/02
206/299

D353,843 S * 12/1994 Martin D20/40
D364,342 S * 11/1995 Ruff D9/415
D373,307 S * 9/1996 Menaged D9/415
5,593,025 A * 1/1997 Feibelman A47F 7/02
206/495
D391,157 S * 2/1998 Snitzer D6/315
D419,064 S * 1/2000 Gorry D9/415
D421,568 S * 3/2000 Ferguson D9/420
D431,460 S * 10/2000 Nichol D9/415
D440,873 S * 4/2001 Van Horn D9/415
D485,753 S * 1/2004 Vogel D9/415
D496,265 S * 9/2004 Dossett D9/415
6,808,069 B1 * 10/2004 O'Toole B65D 73/0021
206/15.3

(Continued)

Primary Examiner — Catherine S Posthauer
(74) *Attorney, Agent, or Firm* — Notaro, Michalos & Zaccaria P.C.

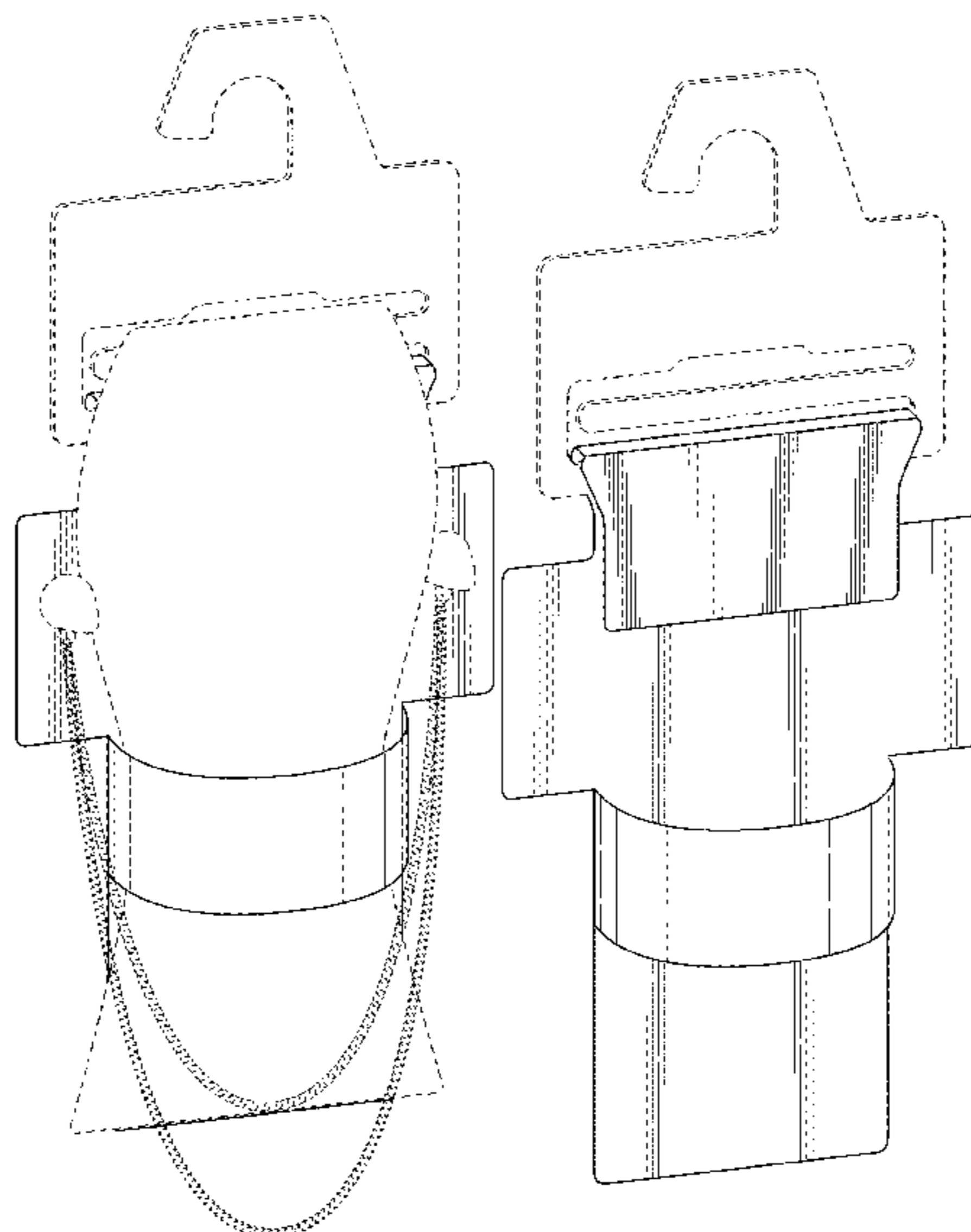
(57) **CLAIM**

The ornamental design for a display card for tie and jewelry accessory, as shown and described.

DESCRIPTION

FIG. 1 is a front top right perspective view of a display card for tie and jewelry accessory, showing my new design, in a position of use with an exemplary tie and jewelry accessory; FIG. 2 is a front top right perspective view thereof, with the exemplary tie and jewelry removed; FIG. 3 is a front elevational view thereof; FIG. 4 is a rear elevational view thereof; FIG. 5 is a right side elevational view thereof; FIG. 6 is a left side elevational view thereof; FIG. 7 is a top plan view thereof; and, FIG. 8 is a bottom plan view thereof. The broken lines represent both parts of the article as well as environmental subject matter of an exemplary tie and jewelry accessory. None of the broken lines form part of the claimed design.

1 Claim, 6 Drawing Sheets



(56)

References Cited

U.S. PATENT DOCUMENTS

D514,927	S *	2/2006	Helfrich	D9/415
D527,634	S *	9/2006	Liebers	D9/457
D624,814	S *	10/2010	Hoppner	D9/415
D687,293	S *	8/2013	Glass	D9/415
D705,655	S *	5/2014	Glass	D9/457
D767,385	S *	9/2016	McDonald	D9/415
D785,334	S *	5/2017	Holt	D3/318
D786,059	S *	5/2017	Lee	D9/415
D786,060	S *	5/2017	Lee	D9/415
D809,378	S *	2/2018	Yang	D9/415
D832,095	S *	10/2018	Bollis	D9/415
D833,530	S *	11/2018	Stafeil	D20/22
D859,149	S *	9/2019	Hughes	D9/433
D860,791	S *	9/2019	Kim	D9/457
2005/0098468	A1 *	5/2005	Wall	B65D 73/0014 206/477
2010/0059396	A1 *	3/2010	Lindars	B65D 73/0071 206/299
2013/0092586	A1 *	4/2013	Sullivan	B65D 27/00 206/424
2013/0220843	A1 *	8/2013	Glass	B65D 25/00 206/45.24
2014/0183074	A1 *	7/2014	Hartman	A63H 27/001 206/307
2014/0366410	A1 *	12/2014	Budzar	B42D 15/04 40/124.03

* cited by examiner

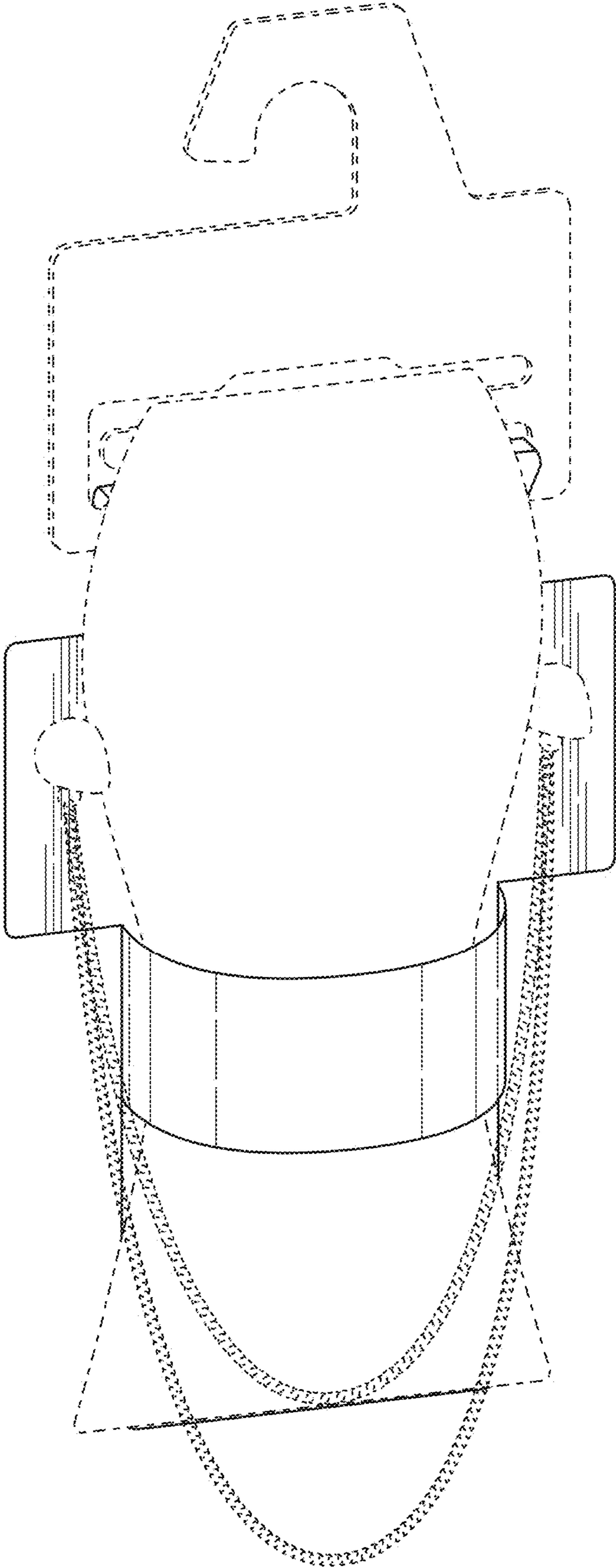


FIG. 1

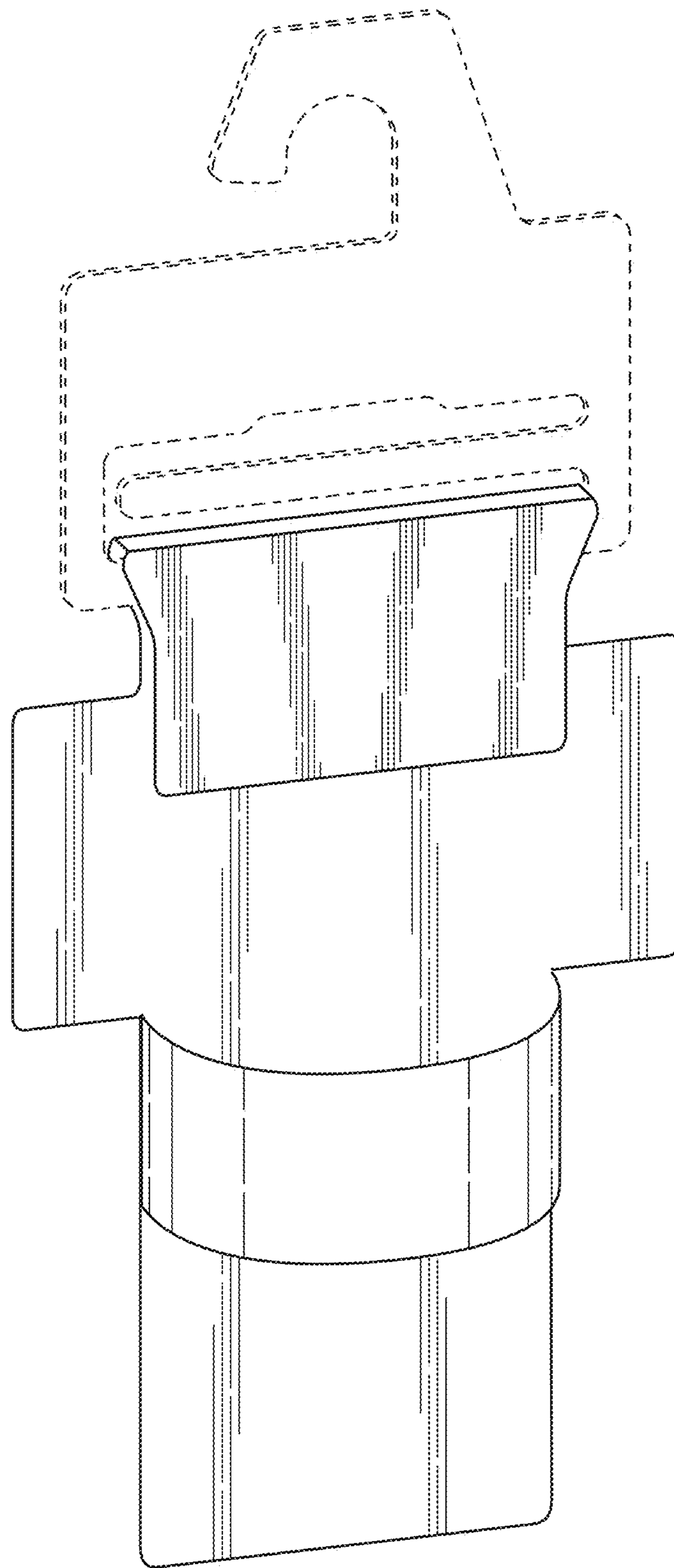


FIG. 2

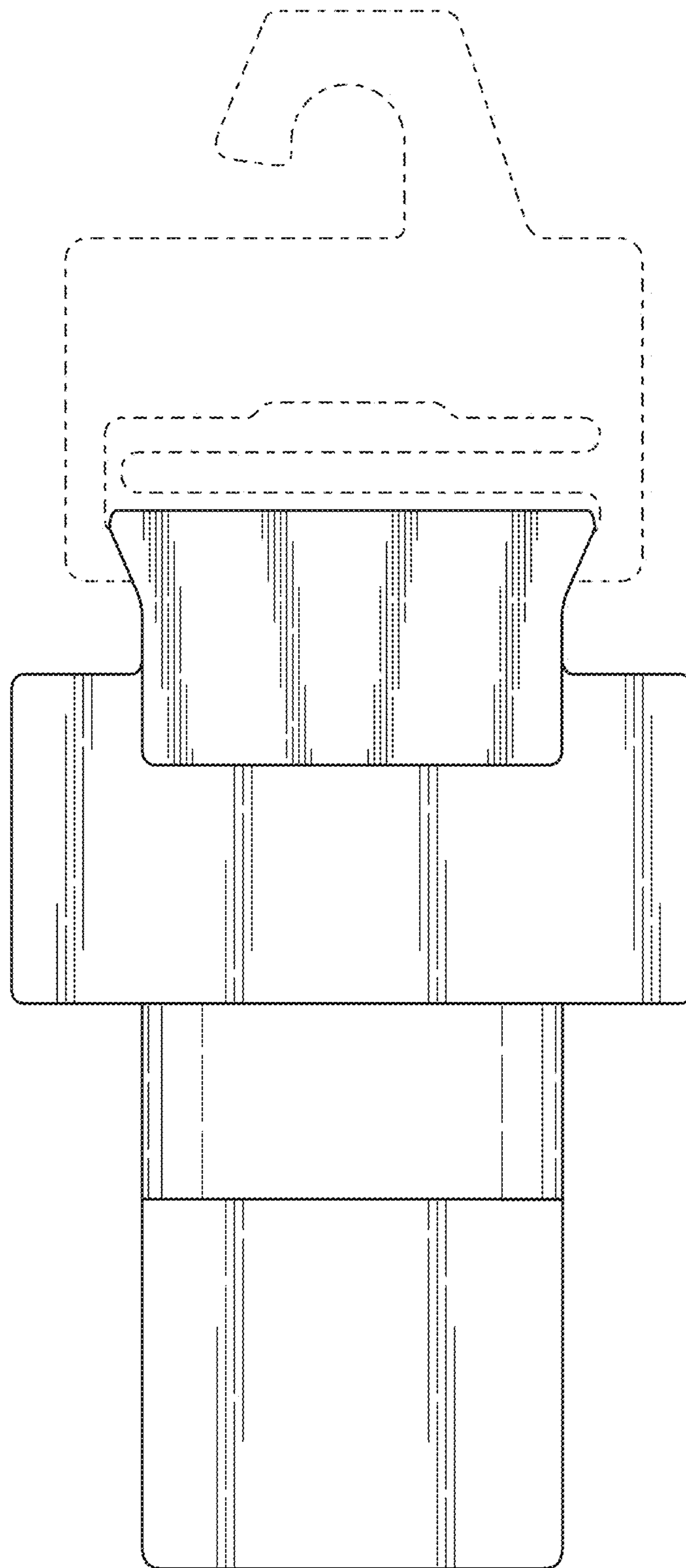


FIG. 3

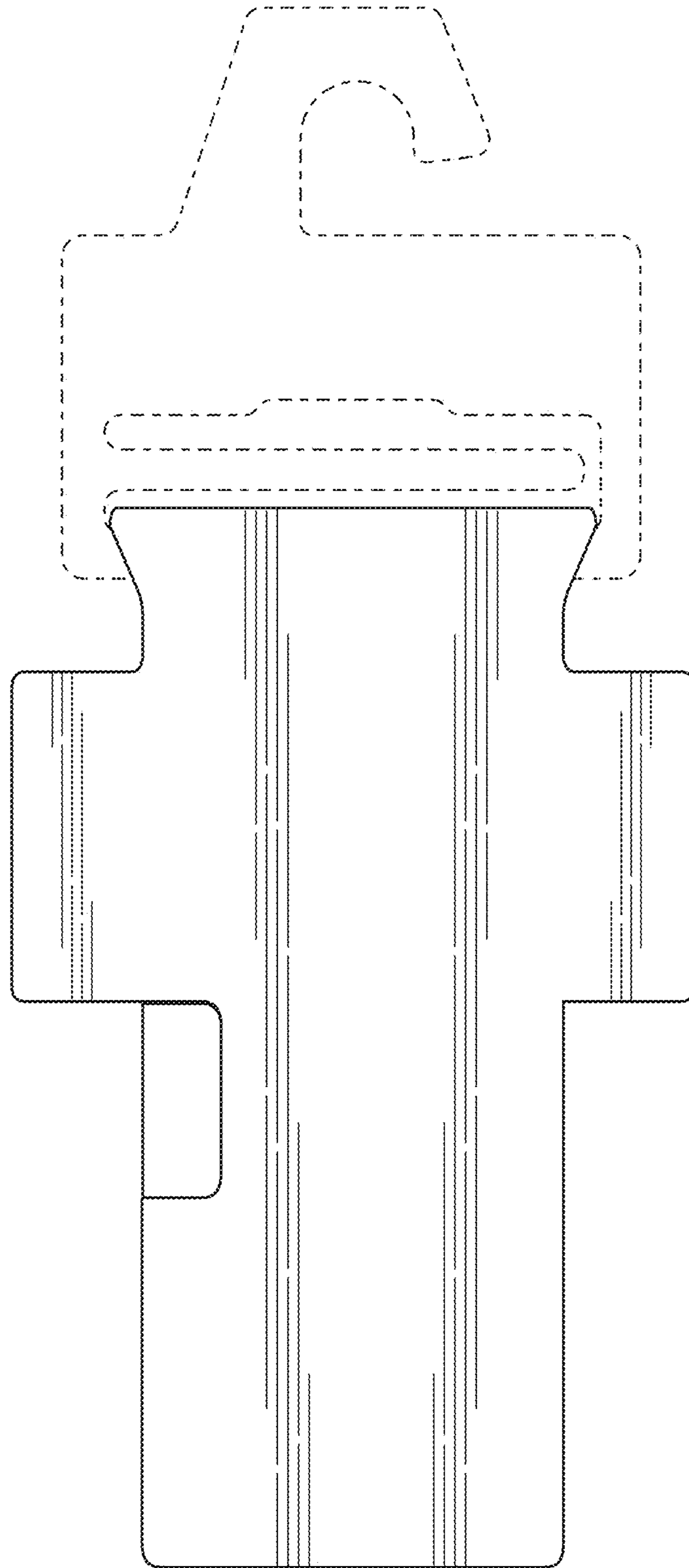


FIG. 4

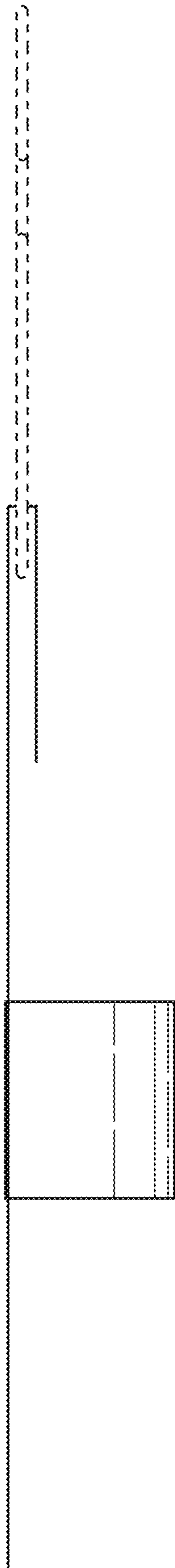


FIG. 5



FIG. 6



FIG. 7

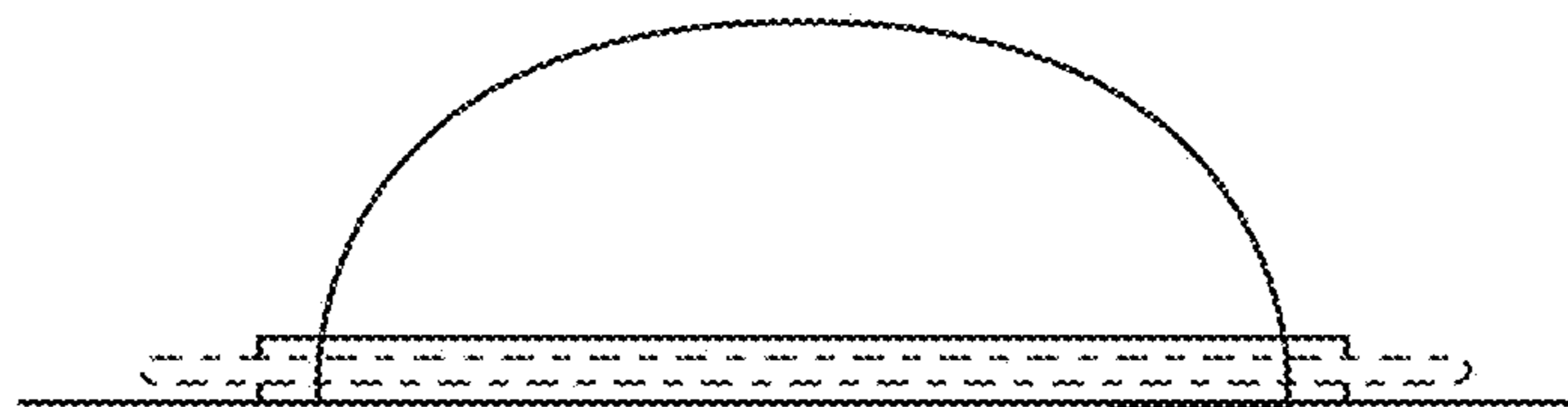


FIG. 8