



US00D885175S

(12) **United States Design Patent** (10) **Patent No.:** **US D885,175 S**
Schneider et al. (45) **Date of Patent:** **** May 26, 2020**

(54) **CONTAINER FOR HOLDING AND WATERING PLANTS**

(71) Applicants: **Christof Walter Schneider**, Armitage (GB); **Markus Ulrich Schneider**, Armitage (GB)

(72) Inventors: **Christof Walter Schneider**, Armitage (GB); **Markus Ulrich Schneider**, Armitage (GB)

(**) Term: **15 Years**

(21) Appl. No.: **29/616,932**

(22) Filed: **Sep. 11, 2017**

(51) **LOC (12) Cl.** **09-03**

(52) **U.S. Cl.**
USPC **D9/414**

(58) **Field of Classification Search**
USPC D9/414–418, 423–425, 760, 429, 431, D9/428, 432; D11/155, 143; D13/179
CPC B65D 1/34; B65D 8/36; B65D 5/0005; A01G 13/043
See application file for complete search history.

(56) **References Cited**

U.S. PATENT DOCUMENTS

2,767,831	A *	10/1956	Brecht	B65D 5/0005
					206/423
3,266,188	A *	8/1966	Budd	A01G 13/043
					47/29.6
3,498,520	A *	3/1970	Gronewold	B65D 81/36
					206/589
3,513,594	A *	5/1970	Hasselbach	B65D 1/34
					47/73
D241,622	S *	9/1976	Smith	D9/760
D263,681	S *	4/1982	Parr	D9/425
D325,714	S *	4/1992	Karhiniemi	D11/155
D357,627	S *	4/1995	Angeles	D11/143
D573,016	S *	7/2008	Reinerio	D9/431
D580,789	S *	11/2008	Larson	D9/425

7,845,110	B2	12/2010	Amsellem	
D656,411	S *	3/2012	Franchini D9/418
D689,768	S *	9/2013	Inderbitzin D9/429
D741,705	S *	10/2015	Astorga D9/425
D741,707	S *	10/2015	Astorga D9/425
D753,483	S *	4/2016	Accursi D9/429
D783,421	S *	4/2017	Van Belle D9/760
D795,688	S *	8/2017	Buck D9/428
D795,695	S *	8/2017	Snedden D9/424

(Continued)

FOREIGN PATENT DOCUMENTS

GB	2499225	A	8/2013
KR	100824272	B1	4/2008

OTHER PUBLICATIONS

Priority Application No. EU 004245900, filed Sep. 7, 2017; 11 pages.

(Continued)

Primary Examiner — Rhea Shields
(74) *Attorney, Agent, or Firm* — Cantor Colburn LLP

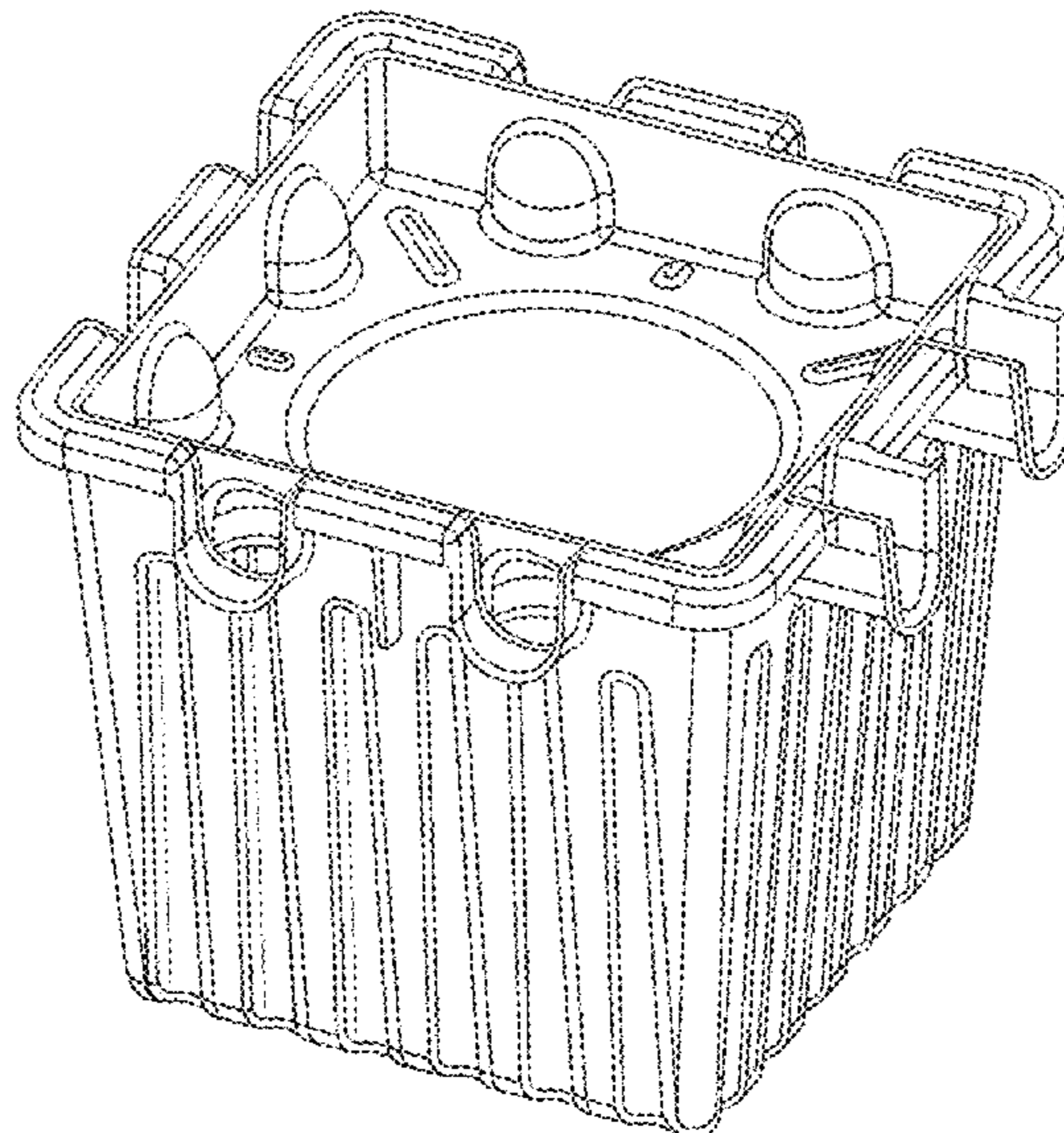
(57) **CLAIM**

We claim the ornamental design for a container for holding and watering plants, as shown and described.

DESCRIPTION

FIG. 1 is a perspective view of a container for holding and watering plants embodying my design;
FIG. 2 is a front side view thereof;
FIG. 3 is a back side view thereof;
FIG. 4 is a right side view thereof;
FIG. 5 is a top view thereof; and,
FIG. 6 is a bottom view thereof.
In the drawing, the broken lines are for the purpose of illustrating portions of the plastic box that form no part of the claimed design.

1 Claim, 3 Drawing Sheets



(56)

References Cited

U.S. PATENT DOCUMENTS

D801,806 S * 11/2017 Pickard D9/425
D832,698 S * 11/2018 Ugliaro D9/432
D848,256 S * 5/2019 Tempel D9/425
D856,944 S * 8/2019 Azar D13/179
2010/0162624 A1 7/2010 Bradley

OTHER PUBLICATIONS

Priority Application No. PCT/GB2014/051584, filed Jun. 1, 2017;
49 pages.

Priority Application No. PCT/GB2017/051584, filed Jun. 1, 2017;
49 pages.

* cited by examiner

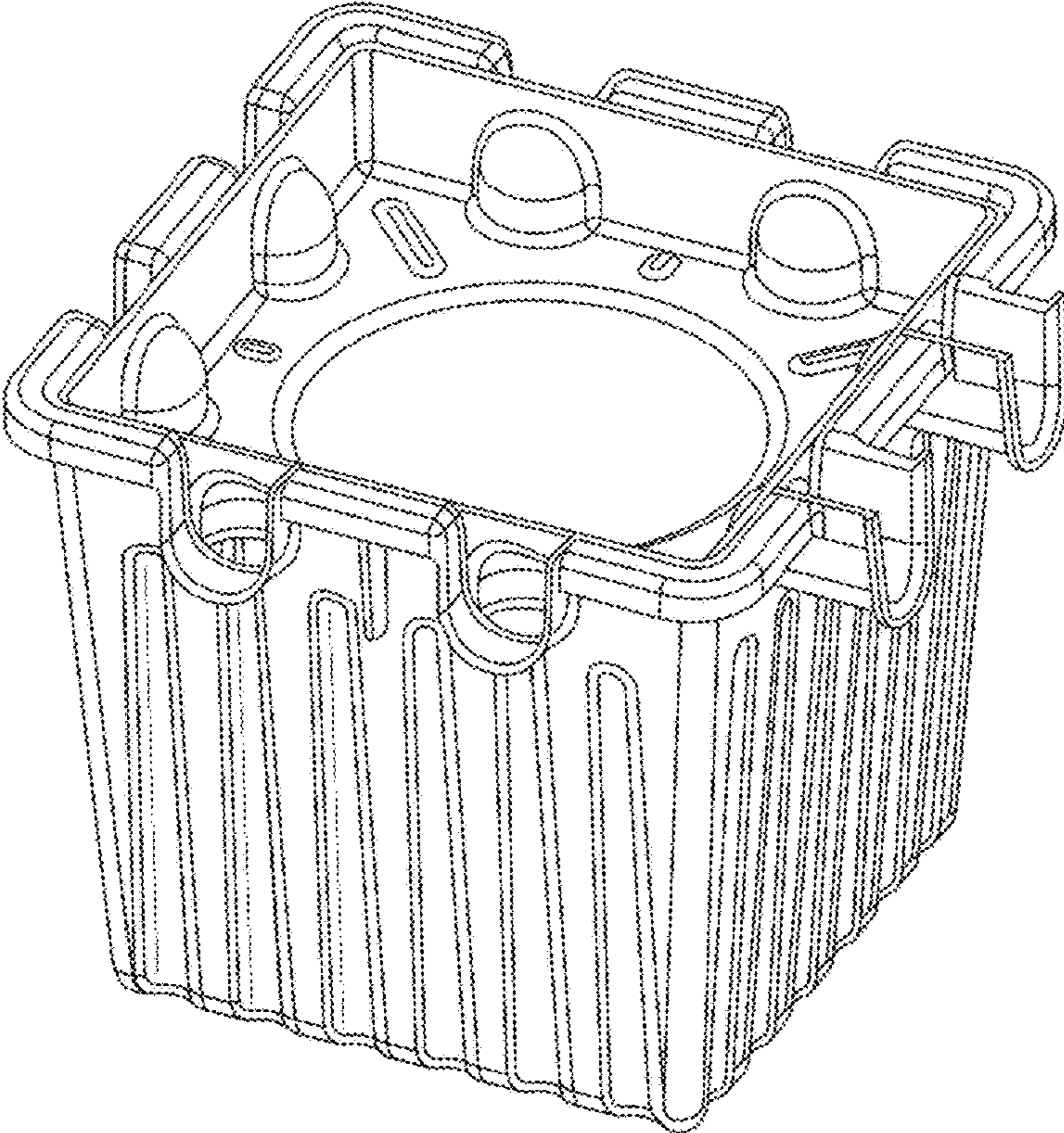


FIG. 1

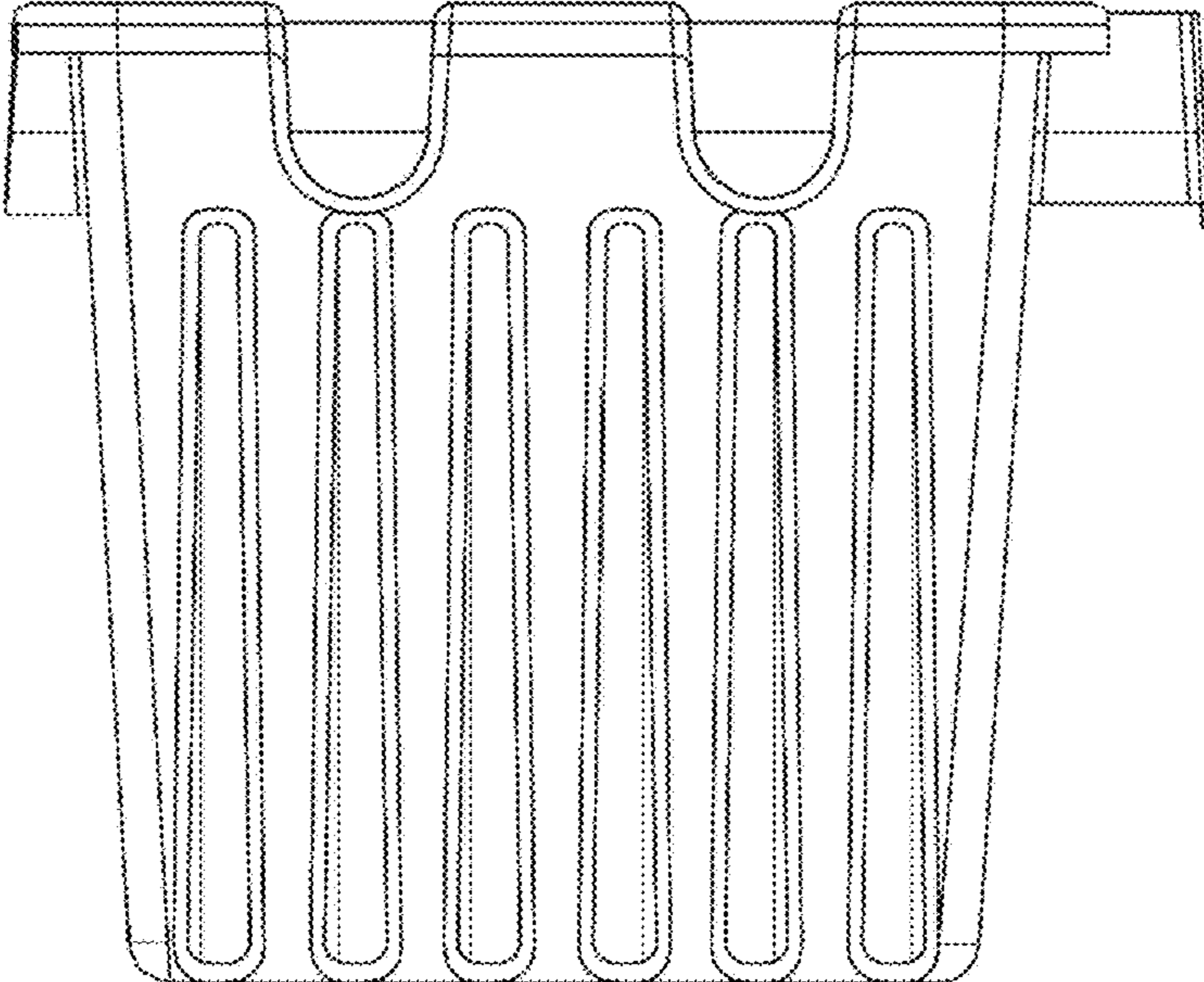


FIG. 2

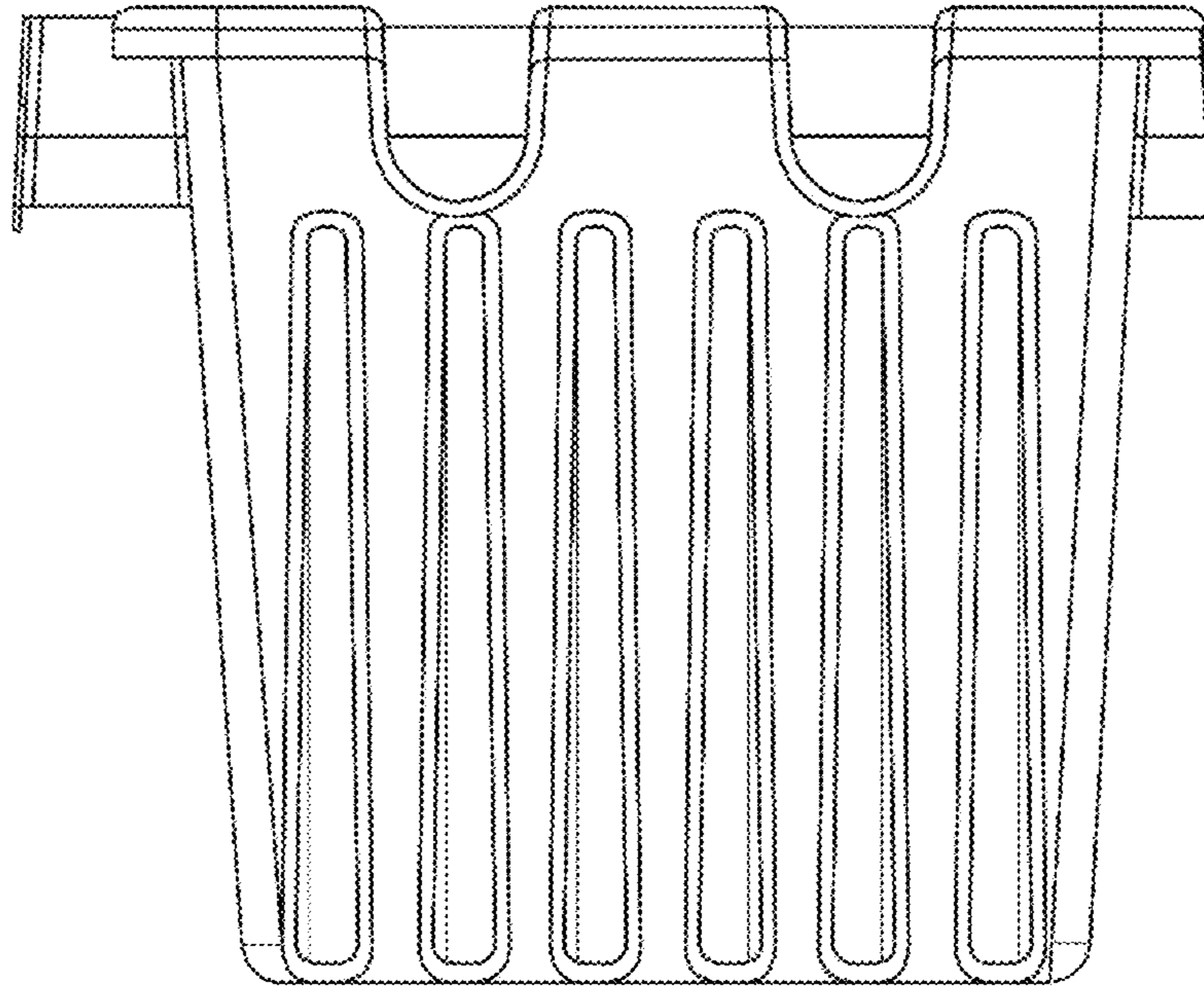


FIG. 3

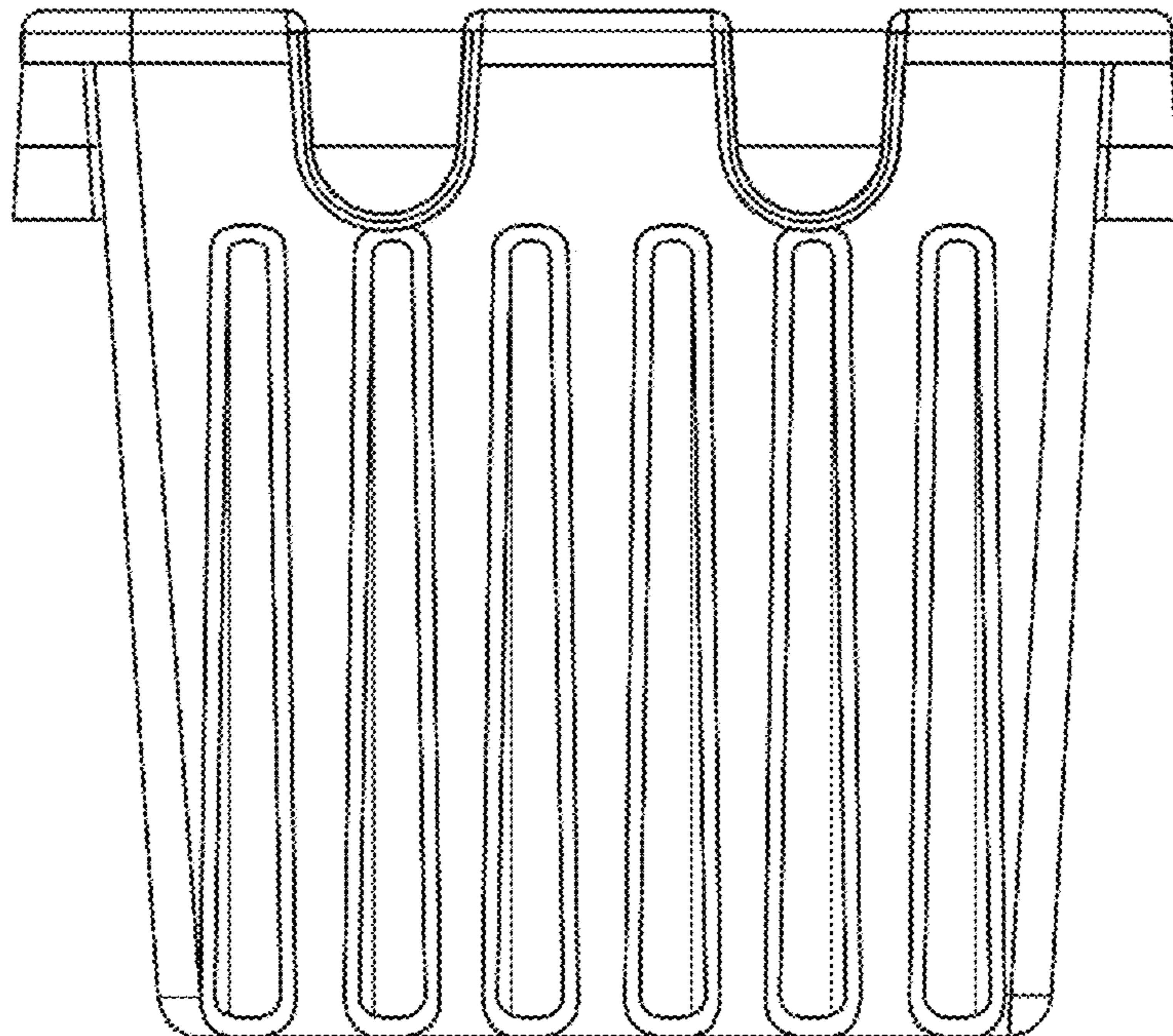


FIG. 4

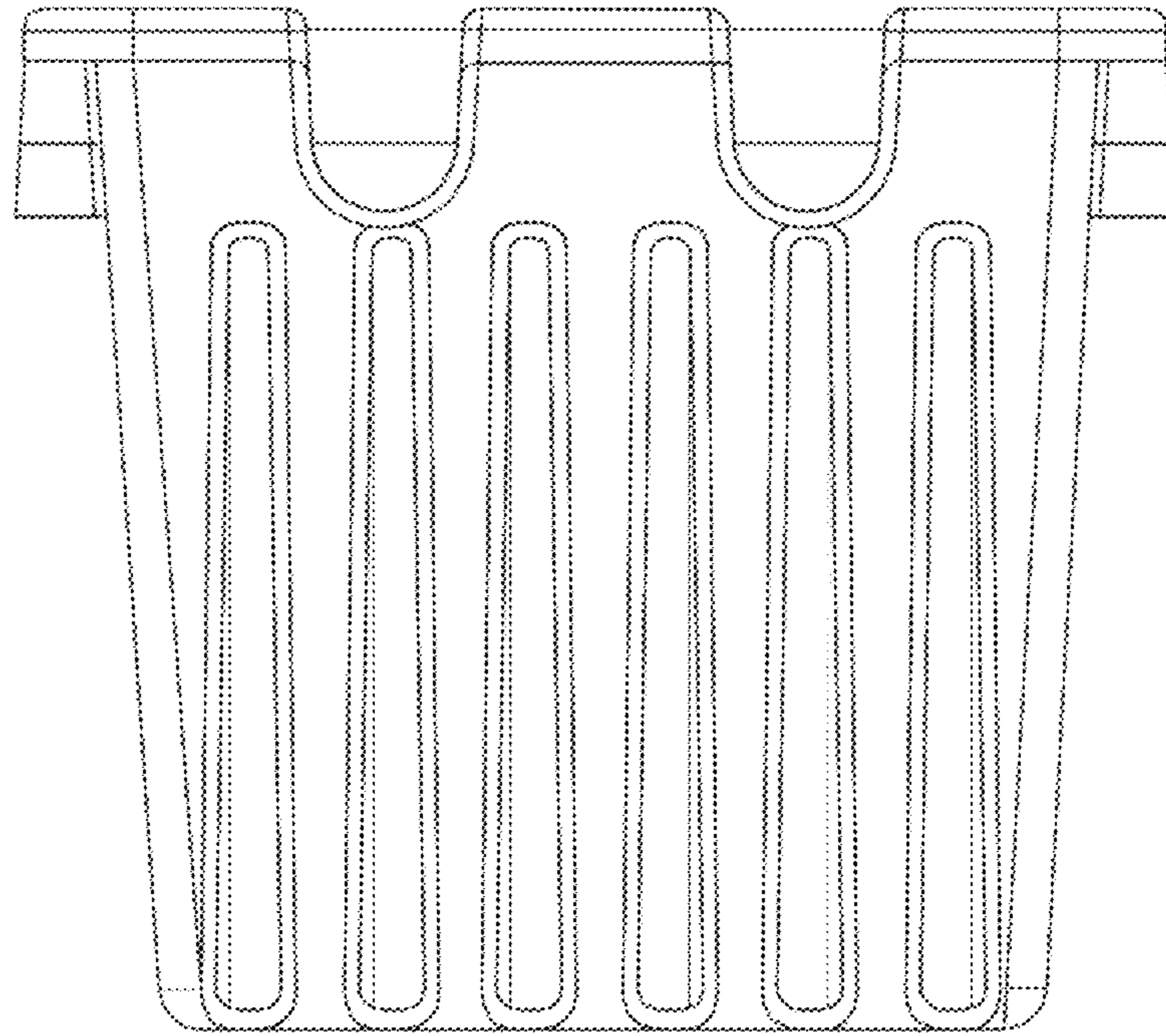


FIG. 5

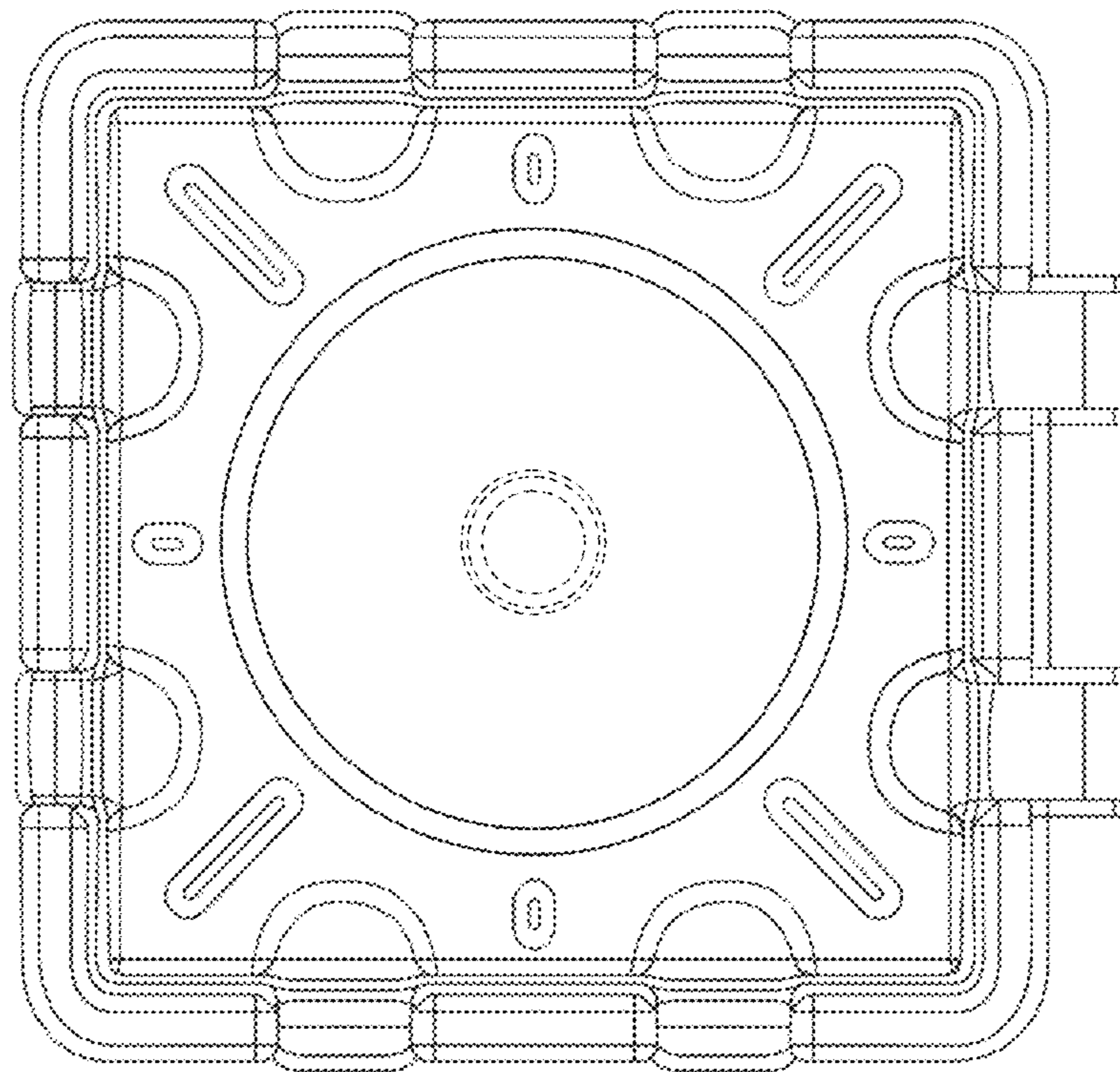


FIG. 6