



US00D885173S

(12) **United States Design Patent** (10) **Patent No.:** **US D885,173 S**  
**Magagna et al.** (45) **Date of Patent:** **\*\* May 26, 2020**

(54) **CLAMP**

(71) Applicant: **TKO Clamping Systems, LLC**,  
Pocatello, ID (US)

(72) Inventors: **Timothy L. Magagna**, Pocatello, ID  
(US); **Stanford L. Caldwell**, Pocatello,  
ID (US); **Shea S. Caldwell**, Pocatello,  
ID (US); **Kary R. Christopherson**,  
Ridgefield, WA (US); **Craig L.**  
**Sandstrom**, Pocatello, ID (US)

(73) Assignee: **TKO Clamping Systems, LLC**,  
Pocatello, ID (US)

(\*\*) Term: **15 Years**

(21) Appl. No.: **29/653,158**

(22) Filed: **Jun. 13, 2018**

(51) **LOC (12) Cl.** ..... **08-08**

(52) **U.S. Cl.**  
USPC ..... **D8/396**

(58) **Field of Classification Search**  
USPC ..... D8/394–396, 349–356, 373, 400, 21–26,  
D8/29, 499

(Continued)

(56) **References Cited**

**U.S. PATENT DOCUMENTS**

3,429,985 A 2/1969 Czigler  
3,883,128 A 5/1975 Breese

(Continued)

**FOREIGN PATENT DOCUMENTS**

CN 103097793 A 5/2013  
DE 19835320 B4 2/2000

(Continued)

**OTHER PUBLICATIONS**

amazon.com, Omix-Ada 17115.01 Radiator Hose Clamp, at least of  
Feb. 19, 2018, [https://www.amazon.com/Omix-Ada-17115-01-  
Radiator-Hose-Clamp/dp/B000FQ973A](https://www.amazon.com/Omix-Ada-17115-01-Radiator-Hose-Clamp/dp/B000FQ973A), see attachment.

(Continued)

*Primary Examiner* — John Windmuller

(74) *Attorney, Agent, or Firm* — Flaig Law Office, PLLC;  
Jason E. Flaig

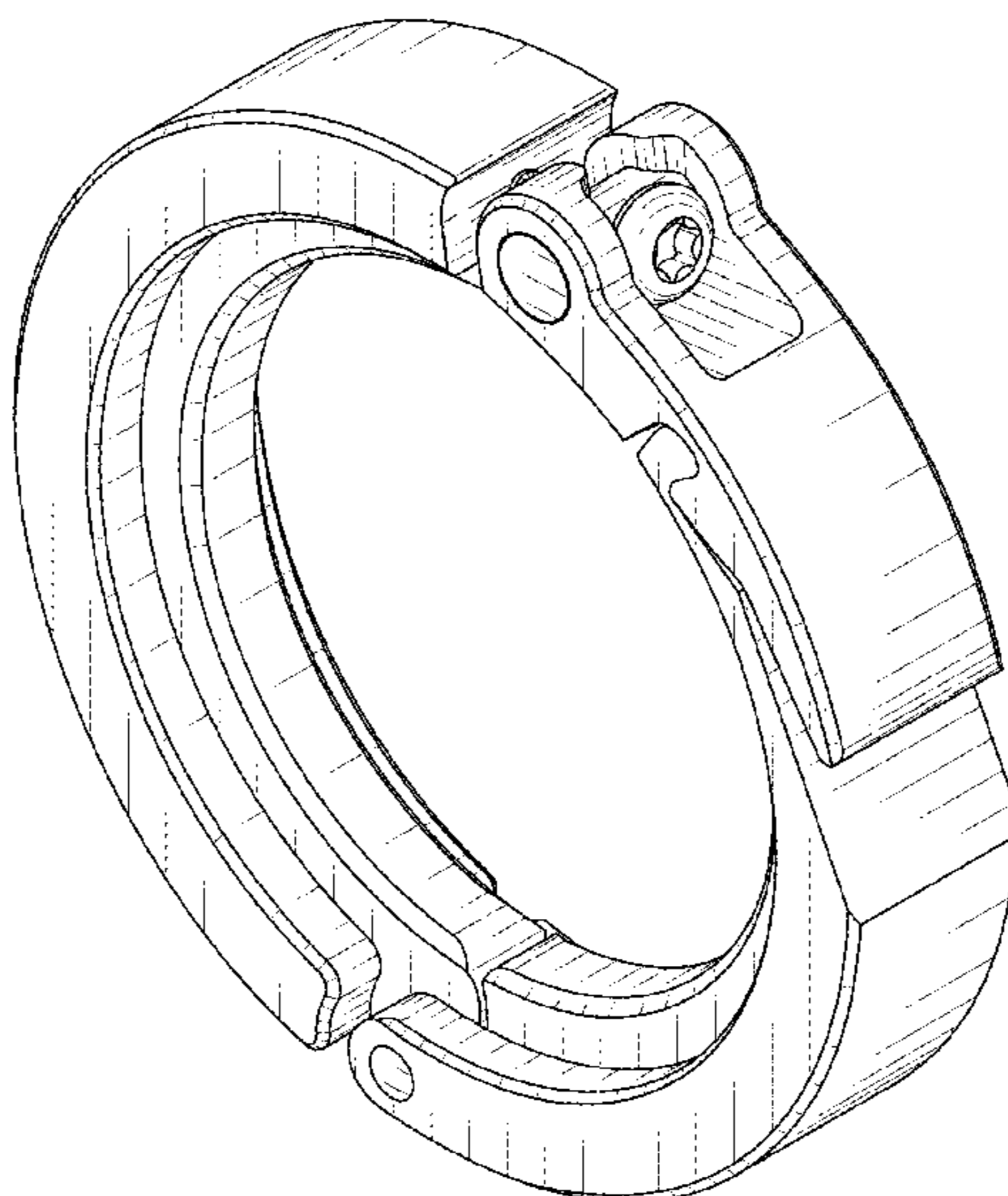
(57) **CLAIM**

The ornamental design for a clamp, as shown and described.

**DESCRIPTION**

FIG. 1 is a front perspective view of a clamp in accordance  
with a first embodiment of the present claimed design;  
FIG. 2 is a rear perspective view thereof;  
FIG. 3 is a left side view thereof;  
FIG. 4 is a right side view thereof;  
FIG. 5 is a front view thereof;  
FIG. 6 is a rear view thereof;  
FIG. 7 is a top view thereof;  
FIG. 8 is a bottom view thereof;  
FIG. 9 is an exploded front perspective view thereof;  
FIG. 10 is a perspective view thereof shown in an unclaimed  
environment of use;  
FIG. 11 is a front perspective view of a clamp in accordance  
with a second embodiment of the present claimed design;  
FIG. 12 is a rear perspective view thereof;  
FIG. 13 is a left side view thereof;  
FIG. 14 is a right side view thereof;  
FIG. 15 is a front view thereof;  
FIG. 16 is a rear view thereof;  
FIG. 17 is a top view thereof;  
FIG. 18 is a bottom view thereof; and,  
FIG. 19 is an exploded front perspective view thereof.  
The broken lines in the drawings are included for the  
purpose of illustrating environmental structure only and  
form no part of the claimed design.

**1 Claim, 15 Drawing Sheets**



(58) **Field of Classification Search**

CPC . H01R 11/11; F16L 23/036; F16L 3/13; F16L 3/1033; E04B 2/74; B65D 45/34; B65D 45/345

See application file for complete search history.

(56) **References Cited**

U.S. PATENT DOCUMENTS

4,453,289	A	6/1984	Kleykamp et al.	
4,573,717	A *	3/1986	Peacock .....	F16B 2/185 24/270
4,639,979	A *	2/1987	Polson .....	A63B 21/0728 24/273
4,852,840	A	8/1989	Marks	
5,380,052	A *	1/1995	Hendrickson .....	F16L 17/04 24/270
6,953,314	B2	10/2005	Magagna	
D584,604	S *	1/2009	Baldwin .....	D8/396
7,828,340	B2 *	11/2010	Heelan, Jr. ....	F16L 21/065 285/366
D703,033	S *	4/2014	Karlsson .....	D8/396
D735,025	S *	7/2015	Mathien .....	D8/396
9,482,368	B1	11/2016	Hung	
D780,860	S *	3/2017	Jones .....	D21/694
D780,861	S *	3/2017	Jones .....	D21/694
D798,699	S *	10/2017	Roiser .....	D8/396
9,863,573	B2	1/2018	May	
10,288,195	B2 *	5/2019	Crouzy .....	F16L 23/06 D855,920 S * 8/2019 Schenone .....
2004/0061335	A1 *	4/2004	Mills .....	F16L 25/0045 285/409
2004/0208727	A1	10/2004	Magagna	
2006/0081744	A1	4/2006	Konold	
2008/0019794	A1	1/2008	van Walraven	
2008/0287271	A1 *	11/2008	Jones .....	A63B 21/0728 482/107
2011/0272888	A1	11/2011	Irizzary et al.	
2014/0130306	A1	5/2014	Andel	
2016/0186902	A1	6/2016	Lee	
2018/0056458	A1	3/2018	McClure	

FOREIGN PATENT DOCUMENTS

DE	10022338	B4	11/2001
DE	102004051234	A1	5/2006
DE	202009015554	U1	4/2010
EP	0292408	A1	11/1988
EP	0872677	A2	10/1998
EP	1431641	A2	6/2004
EP	2985500	B1	2/2016
GB	2352475	A	1/2001
KR	20090006003	U	6/2009
KR	101014385	B1	2/2011
KR	20110100071	A	9/2011
KR	101190245	B1	10/2012
KR	20130028606	A	3/2013
KR	20150101227	A	9/2015
KR	101578329	B1	12/2015
KR	101595111	B1	2/2016
KR	101670646	B1	12/2016
KR	20170139773	A	12/2017
WO	WO2010085905	A1	8/2010

OTHER PUBLICATIONS

Viper Parts of America, . . . , at least of Feb. 19, 2018, <https://www.viperpartsrackamerica.com/index.php/products/1992-2010-dodge-viper-radiator-hose-clamp-52006750>, see attachment.  
VWTUNINGMAG, Prolock Hose Clamps—Get a Grip!, at least of Mar. 30, 2018, <http://www.vwtuningmag.com/prolock-hose-clamps-get-a-grip/>, see attachment.

Clampco: Worldwide Clamping Specialist, Barrel Hardware Clams, at least of Mar. 30, 2018, <http://clampco.com/products/barrel.asp>, see attachment.

Clampco: Wordlwide Clamping Specialist, Latches, Fasteners & Handles, at least of Mar. 30, 2018, <http://www.clampco.com/products/latches.asp>, see attachment.

Clampco: Worldwide Clamping Specialist, Flanges, at least of Mar. 30, 2018, <http://www.clampco.com/products/flanges-no-gasket.asp>, see attachment.

Clampco: Worldwide Clamping Specialist, V-Band Clamps/ Couplings, at least of Mar. 30, 2018, <http://www.clampco.com/products/v-band.asp>, see attachment.

theonania.club, Radiator Hose Clamps Radiaor Loose, at least of Mar. 30, 2018, <http://theonania.club/radiator-hose-clamps/radiator-hose-clamps-radiaor-loose/>, see attachment.

theonania.club, Radiator Hose Clamps Types, at least of Mar. 30, 2018, <http://theonania.club/radiator-hose-clamps/radiator-hose-clamps-types/>, see attachment.

zoro.com, Heavy Duty Clamp, T304 Stainless Steel, at least of Mar. 30, 2018, <https://www.zoro.com/zoro-select-heavy-duty-clamp-t304-stainless-steel-13mhhm75/> . . . see attachment.

alibaba.com, Clamps, at least of Mar. 31, 2018, [https://www.alibaba.com/product-detail/china-supplier-plastic-adjustable-pipe-clamps\\_](https://www.alibaba.com/product-detail/china-supplier-plastic-adjustable-pipe-clamps_) . . . see attachment

alibaba.com, Clamps, at least of Mar. 31, 2018, [https://www.alibaba.com/product-detail/kkmark-wholesale-adjustable-pipe-clamps-tuv\\_60751931288.html?](https://www.alibaba.com/product-detail/kkmark-wholesale-adjustable-pipe-clamps-tuv_60751931288.html?) . . . see attachment.

alibaba.com, Clamps, at least of Mar. 31, 2018, [https://www.alibaba.com/product-detail/Right-Angle-Adjustable-Tube-Clamps-for\\_](https://www.alibaba.com/product-detail/Right-Angle-Adjustable-Tube-Clamps-for_) . . . see attachment.

QAWORLDWIDE, Cable Tie Replacement! The Patented Cable Clamp Pro®, at least of Mar. 31, 2018, <http://www.cableclamp.com/>, . . . see attachment.

Denniskirk, Memphis Shades Adjustable Fork Clamps for 48-55mm Forks—MEM9954, at least of Mar. 31, 2018, <https://www.denniskirk.com/memphis-shades/> . . . see attachment.

FRS.Sports, P2M Pipe Aluminum Hose Clamp—Black 2.00", at least of Mar. 30, 2018, <https://frsport.com/p2m-p2-ahc200blk-kmi-aluminum-hose> . . . see attachment.

Bavarian Autosport, Plastic Hose Support—Genuine BMW, at least of Mar. 30, 2018, [https://www.bavauto.com/catalog/product/view/id/163994/?utm\\_source=](https://www.bavauto.com/catalog/product/view/id/163994/?utm_source=) . . . see attachment.

autohausaz.com, Genuine Mini Hose Clamp SKU: 1505234-MI-17127639895, at least of Mar. 30, 2018, <https://autohausazz.com/pn/14325056-MI-17127639895?> . . . see attachment.

Sweetwater, Gibraltar SC-GCARA Road Series Chrome Adjustable Right-angle Clamp, at least of Mar. 30, 2018, <https://www.sweetwater.com/store/detail/SCGCARA--> . . . see attachment.

Denniskirk, Memphis Shades Adjustable Fork Clamps for 48-55mm Forks—MEM9954, at least of Mar. 30, 2018, <https://www.denniskirk.com/memphis-shades/adjustable-> . . . see attachment.

Thomann, Global Truss 10403 Beam Clamp 2,0t, at least of Mar. 30, 2018, [https://www.thomann.de/lu/global\\_truss\\_10403\\_beam\\_clamp\\_20t.htm](https://www.thomann.de/lu/global_truss_10403_beam_clamp_20t.htm), other details . . . see attachment.

PSSL Prosound and Stage Lighting, Solena Professional Adjustable Lighting O-Clamp, at least of Mar. 31, 2018, <http://pssl.com/Solena-> . . . see attachment.

AGL Manufacturing LTD., CF Style Adjustable Clamp, at least of Mar. 31, 2018, [http://www.aglmfg.com/Products/Concrete-Pump-Parts/ACME\\_Style\\_Adjustable\\_Clamp](http://www.aglmfg.com/Products/Concrete-Pump-Parts/ACME_Style_Adjustable_Clamp) . . . see attachment.

Direct Industry, plastic cable clamp / adjustable, at least of Mar. 31, 2018, <http://www.directindustry.com/prod/reiku-drossbach/product-103293-> . . . see attachment.

Emarine Systems, .75"- 1.25" Adjustable Rail Clamps (Pair), at least of Mar. 31, 2018, <https://www.emarineinc.com/75-inch-1-25-inch-Adjustable-> . . . see attachment.

\* cited by examiner

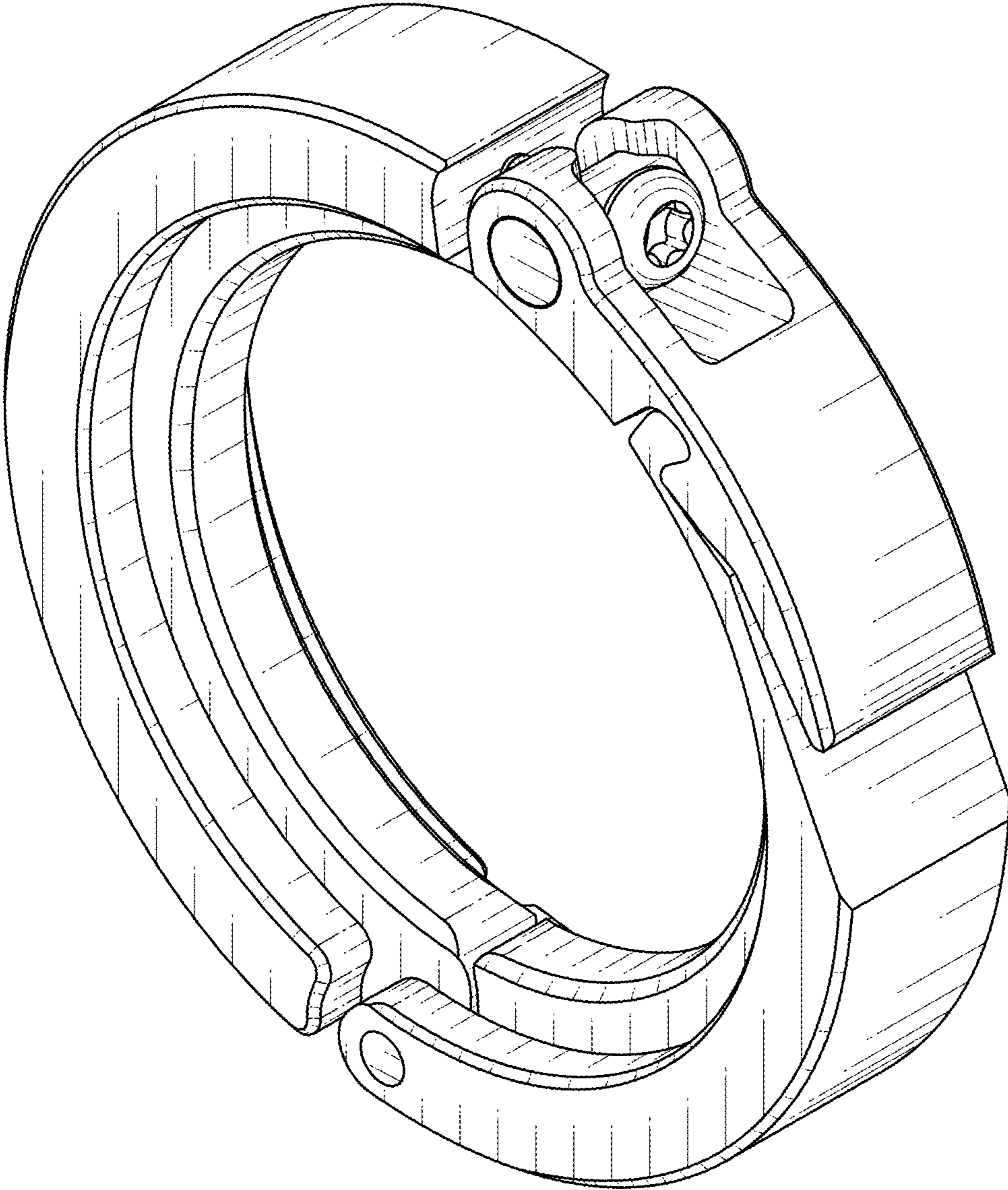


FIG. 1

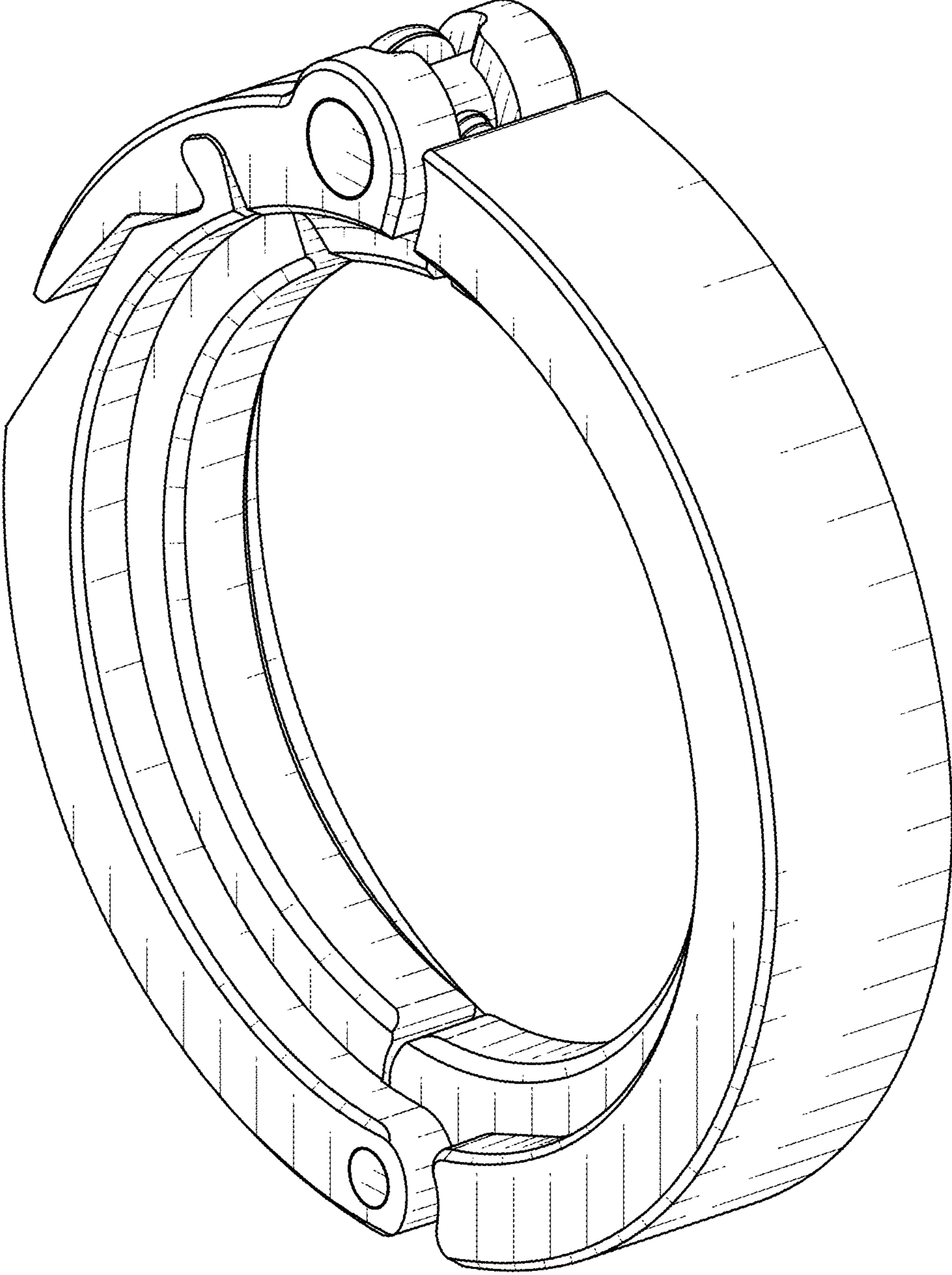


FIG. 2

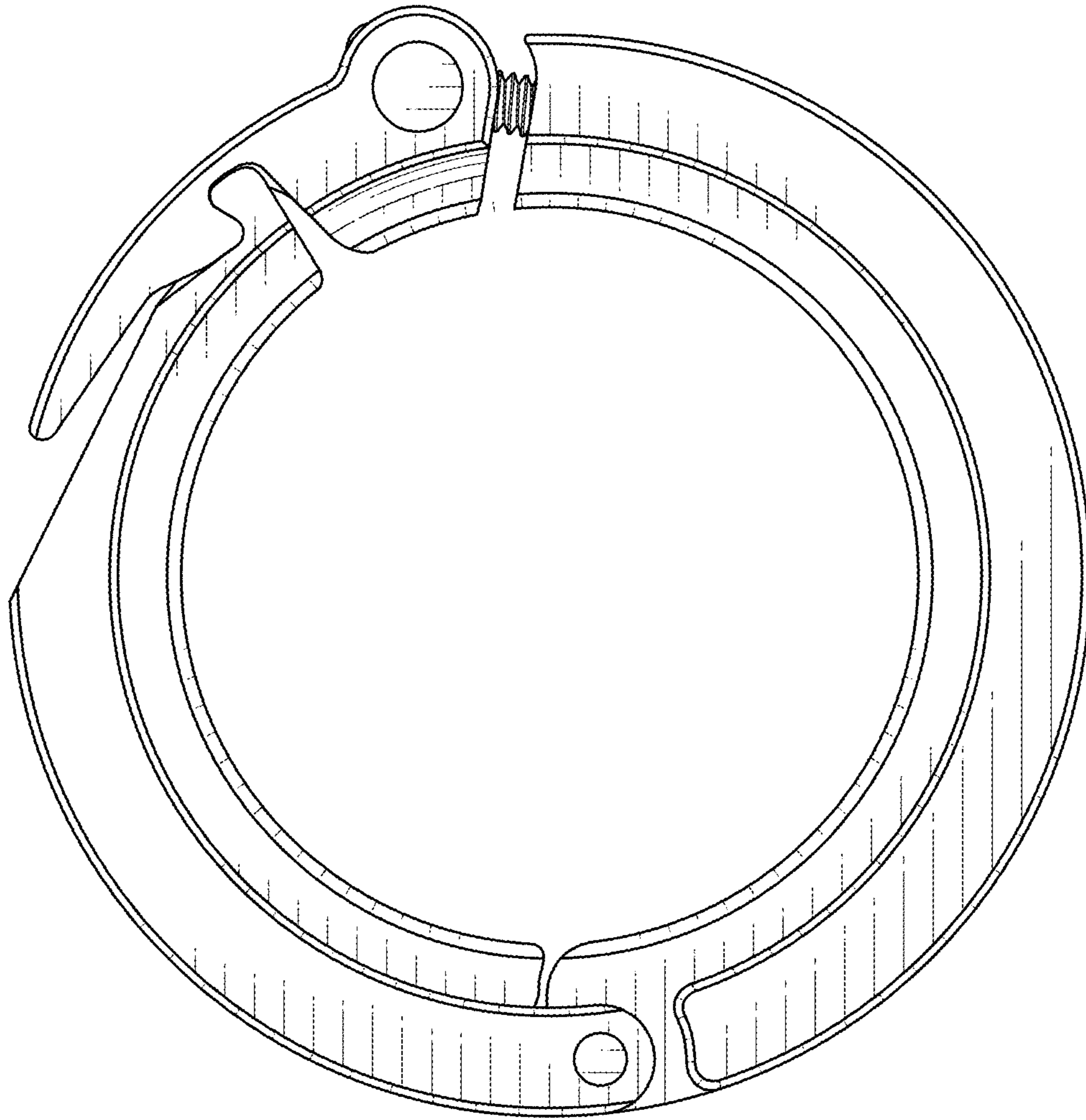


FIG. 3

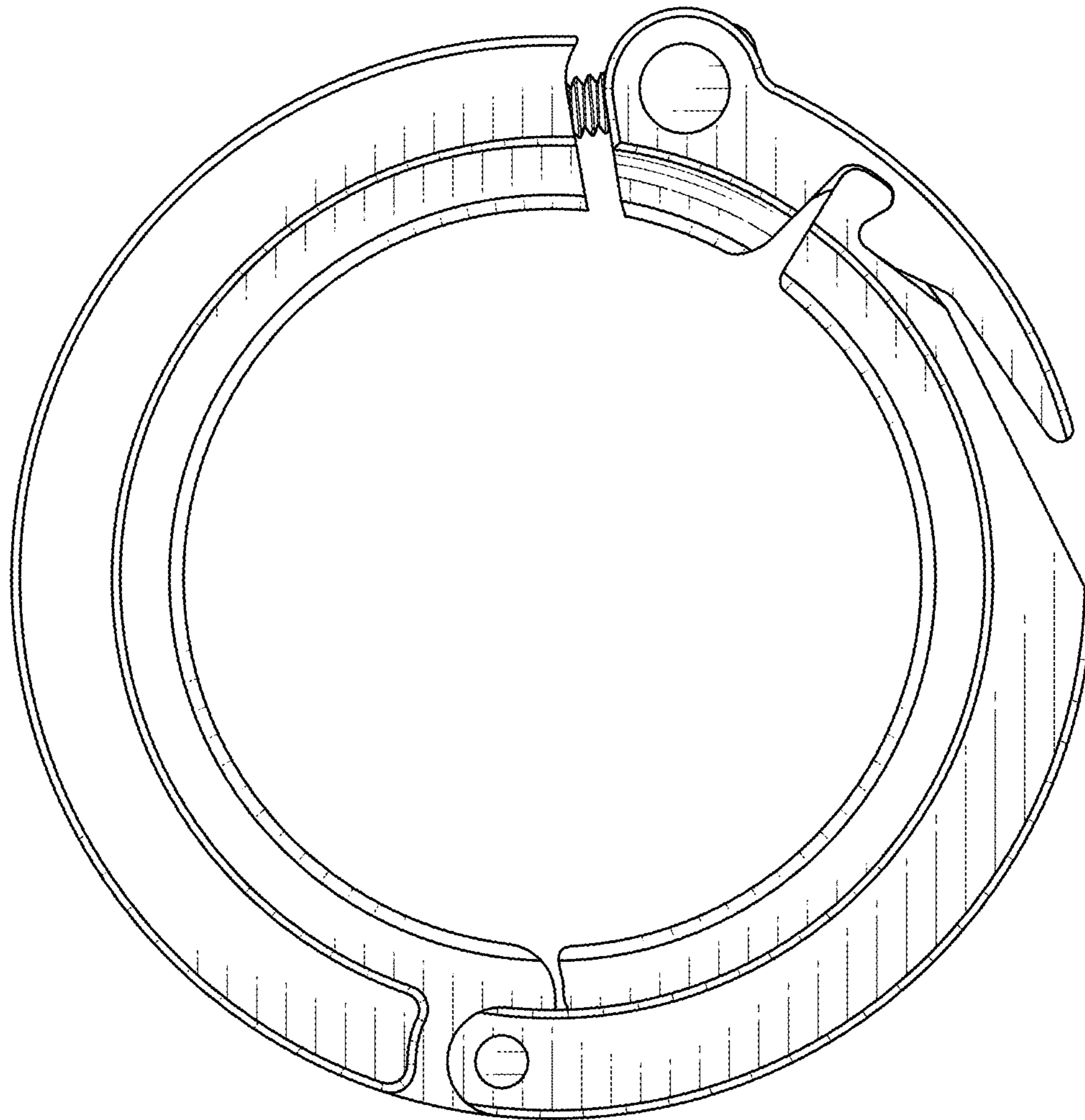


FIG. 4

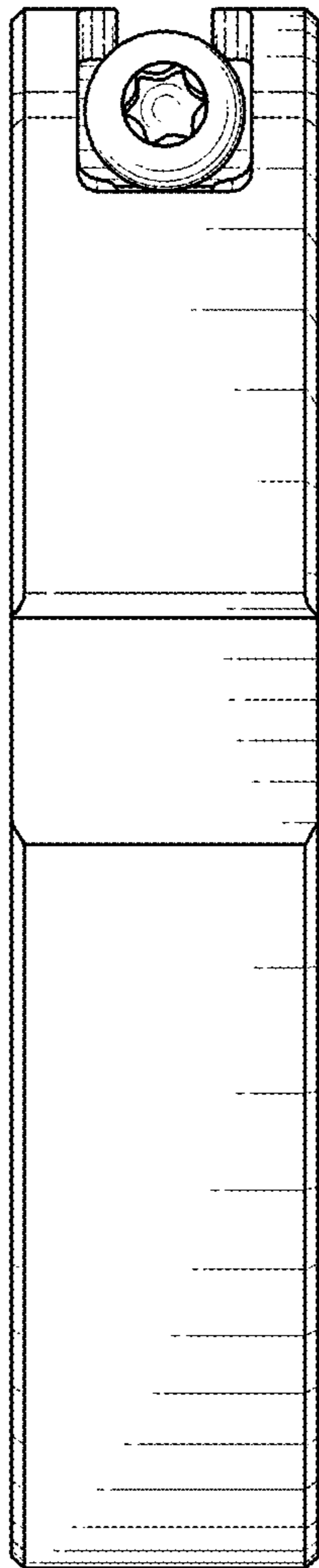


FIG. 5

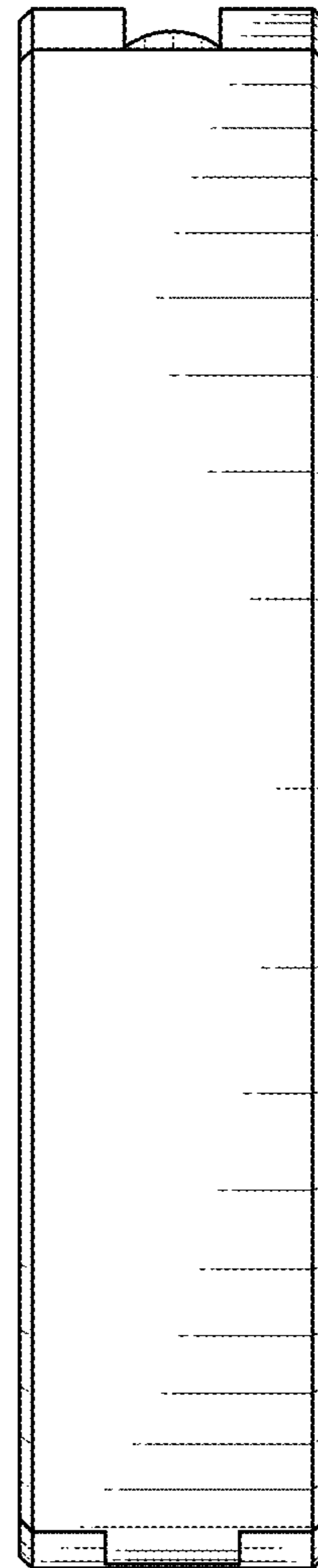


FIG. 6

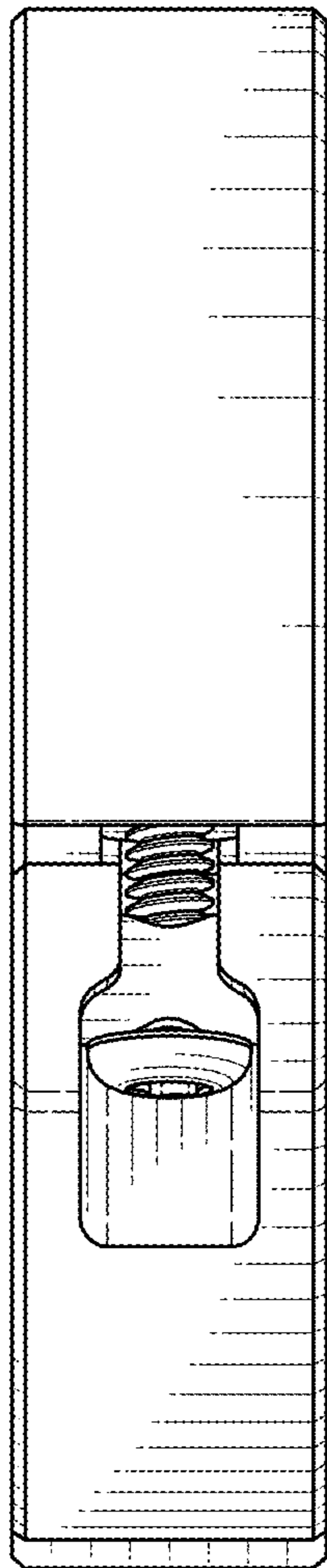


FIG. 7

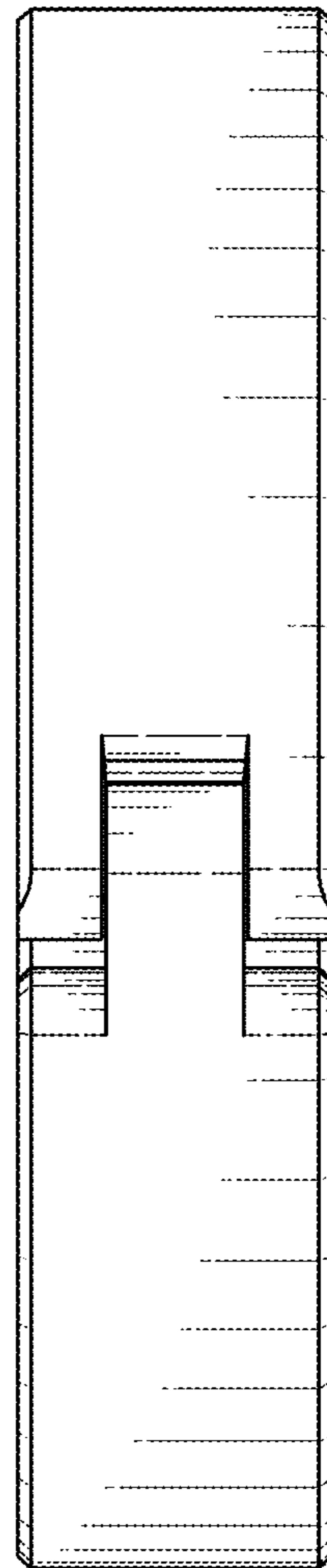


FIG. 8



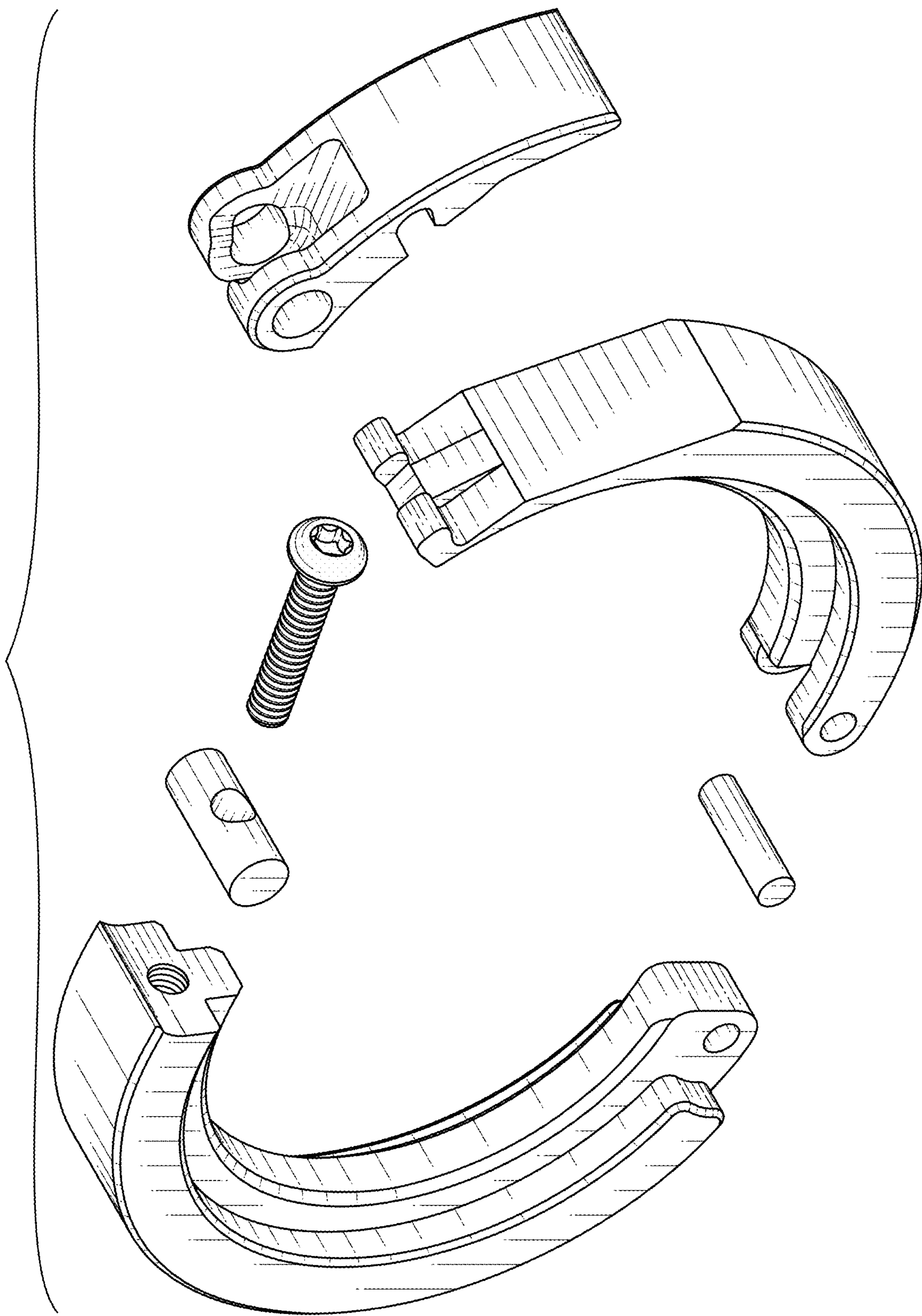


FIG. 9

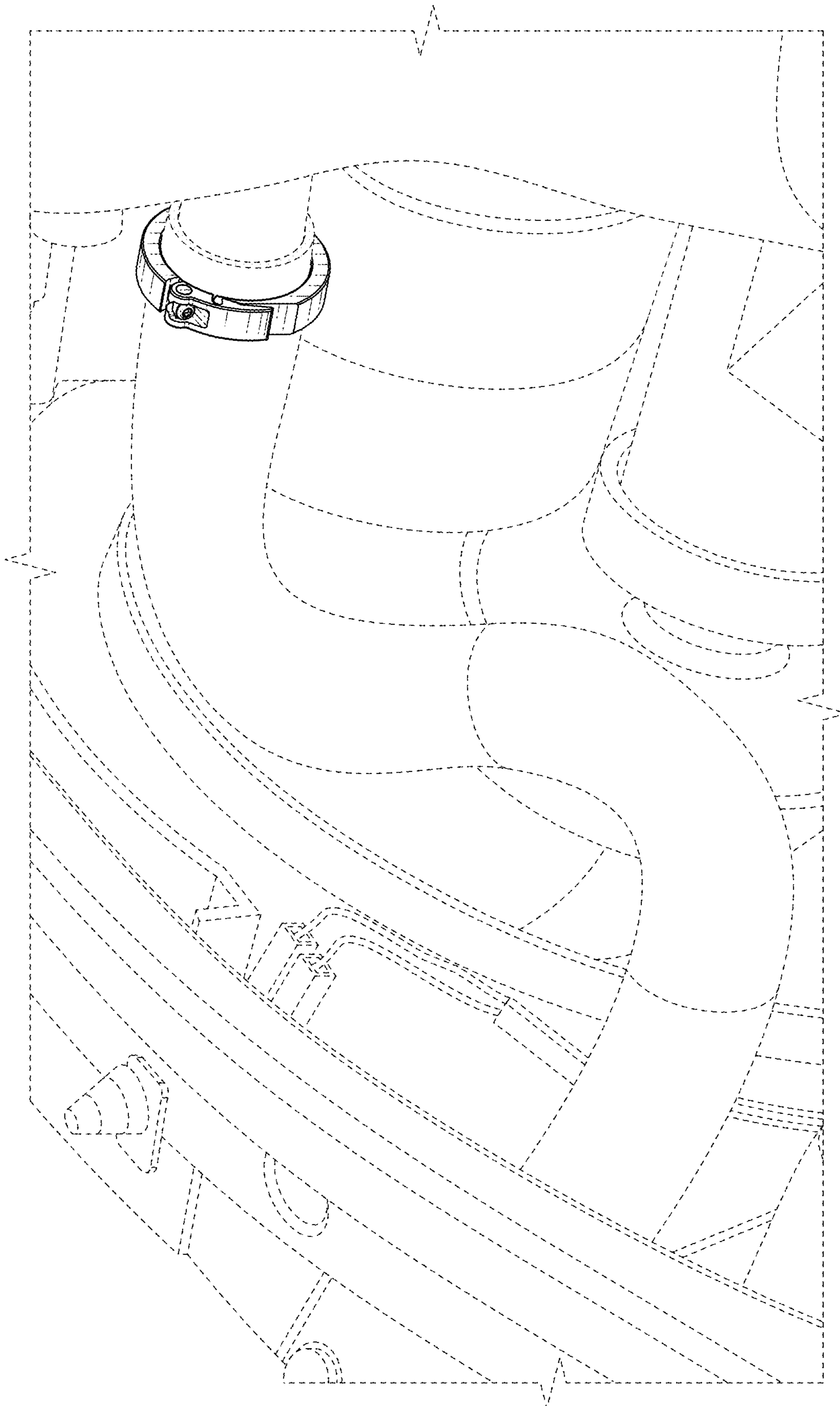


FIG. 10

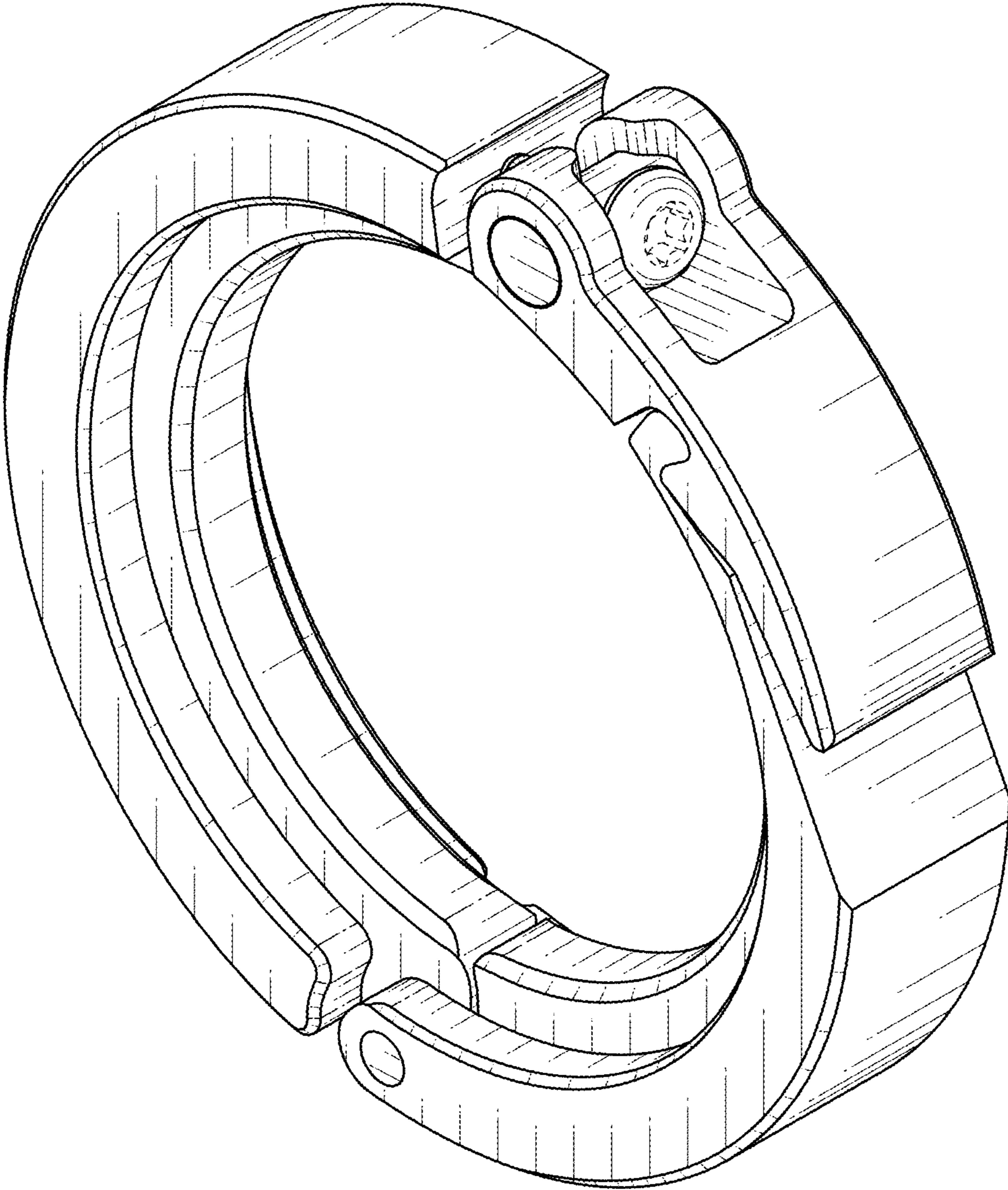


FIG. 11

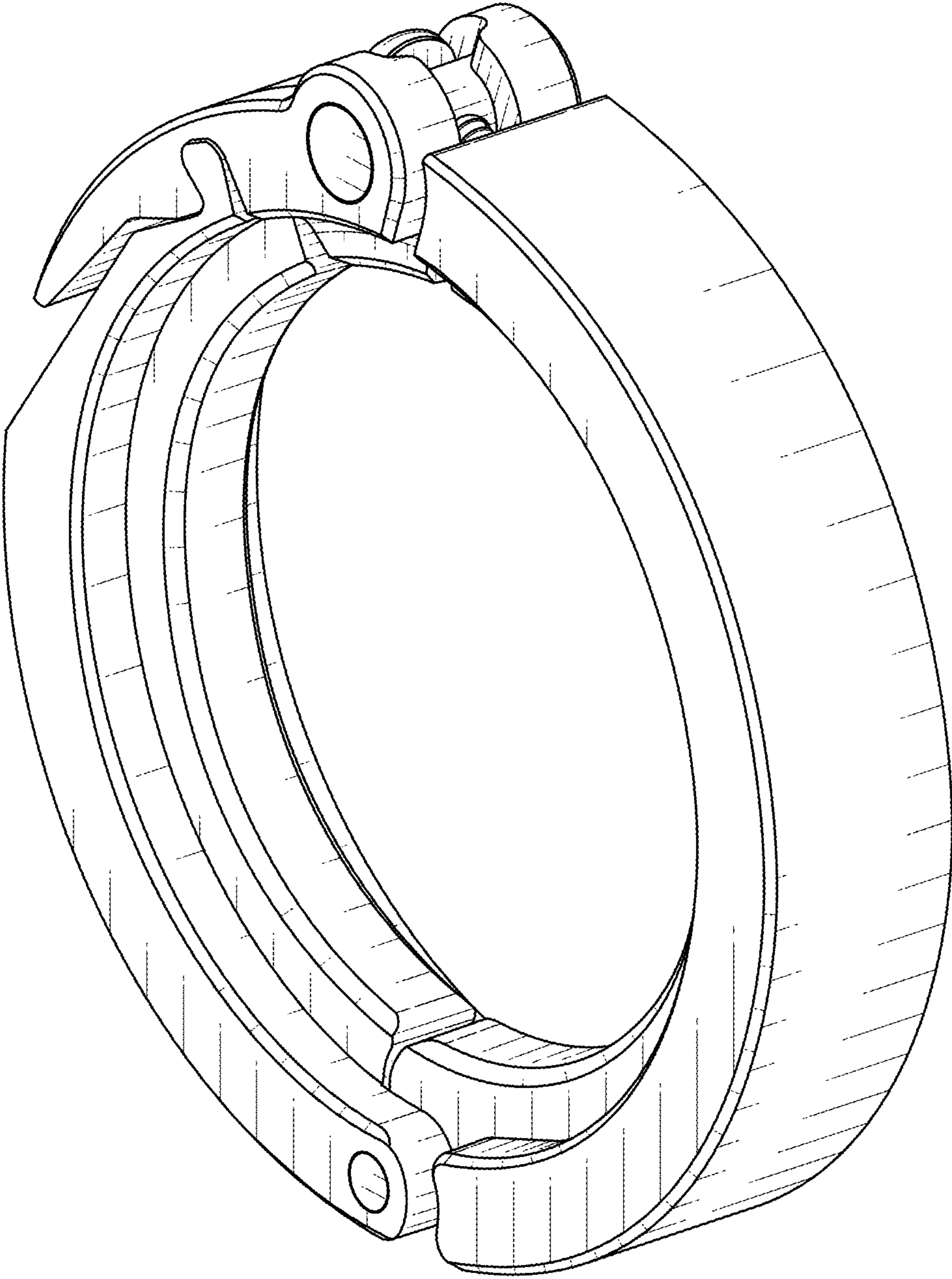


FIG. 12

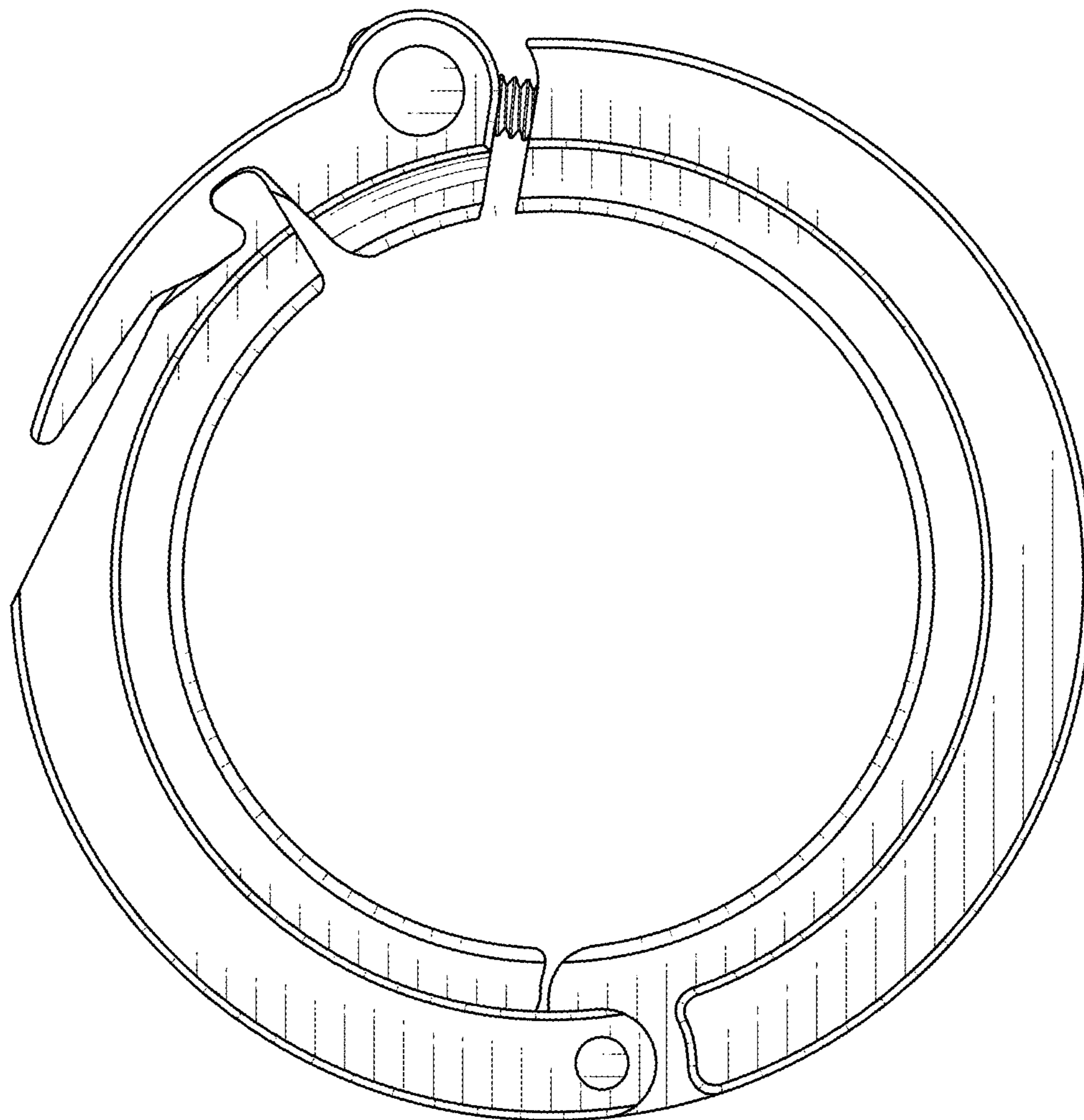


FIG. 13

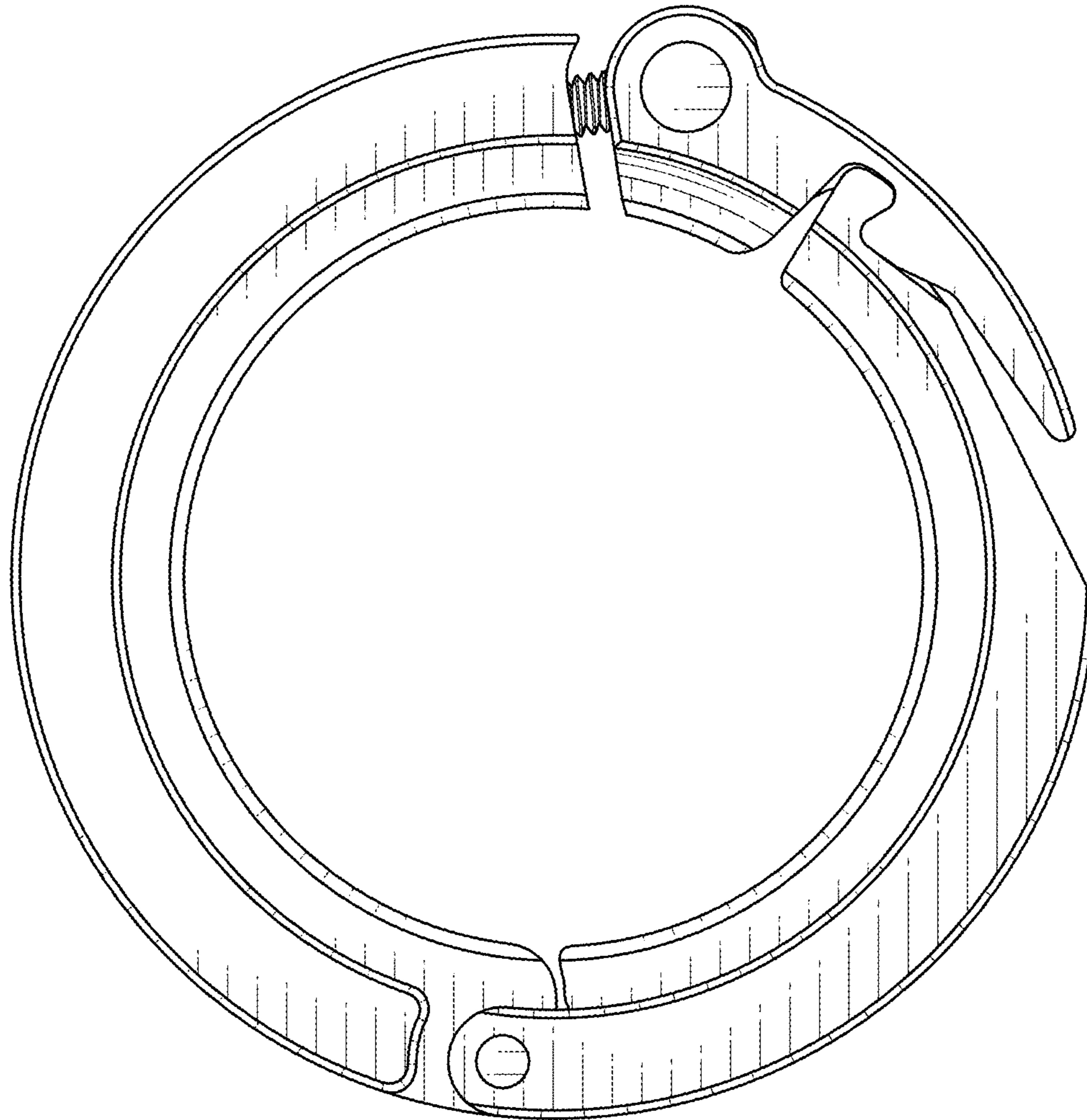


FIG. 14

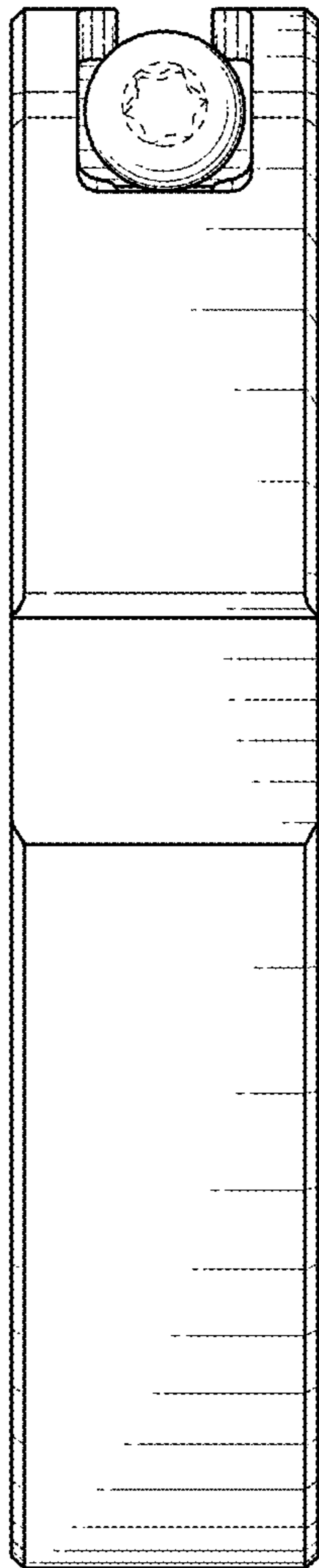


FIG. 15

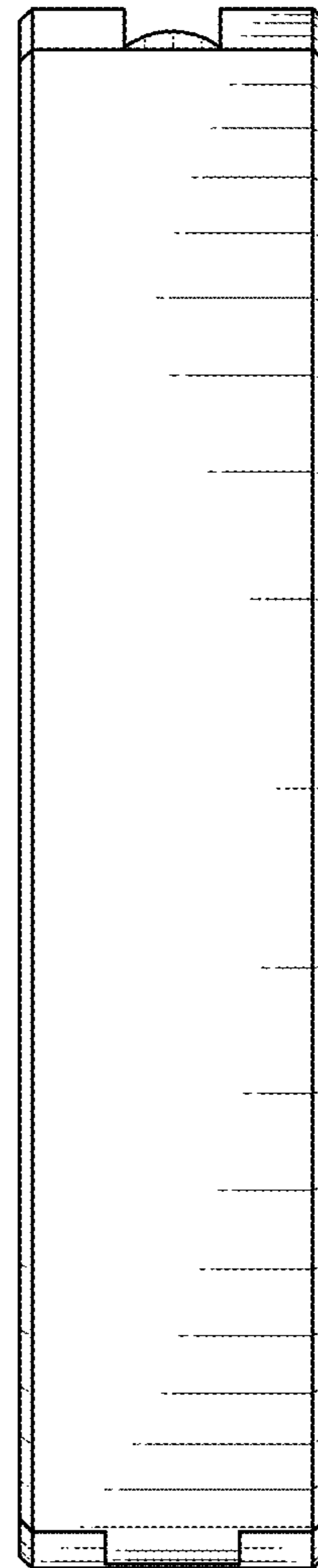


FIG. 16

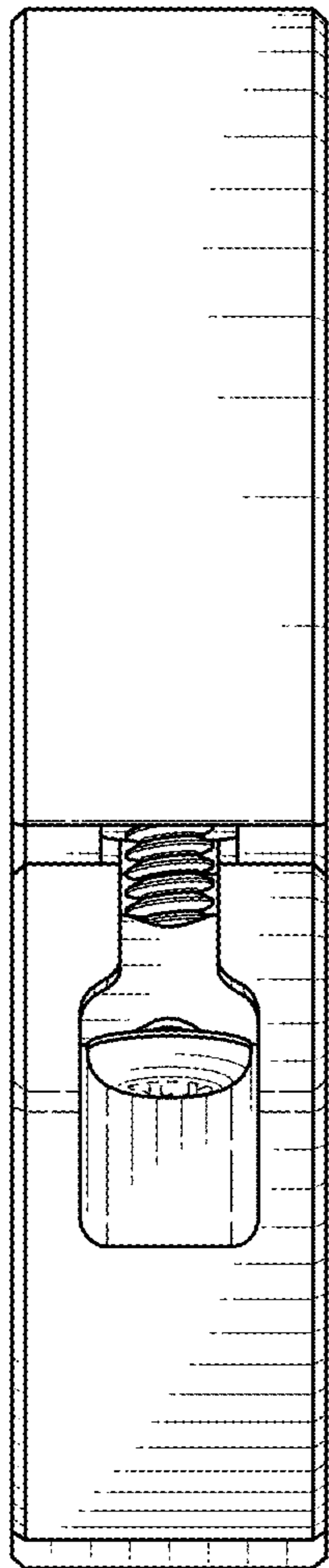


FIG. 17

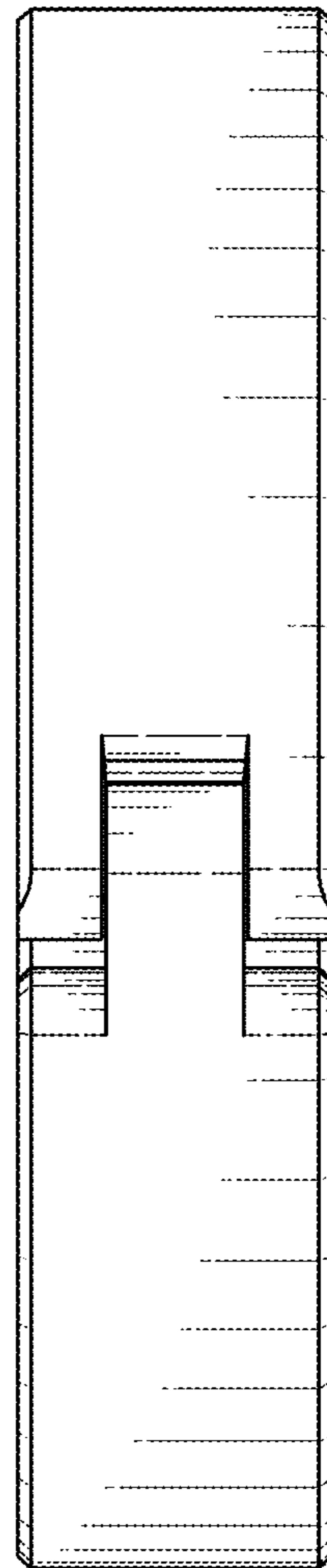


FIG. 18



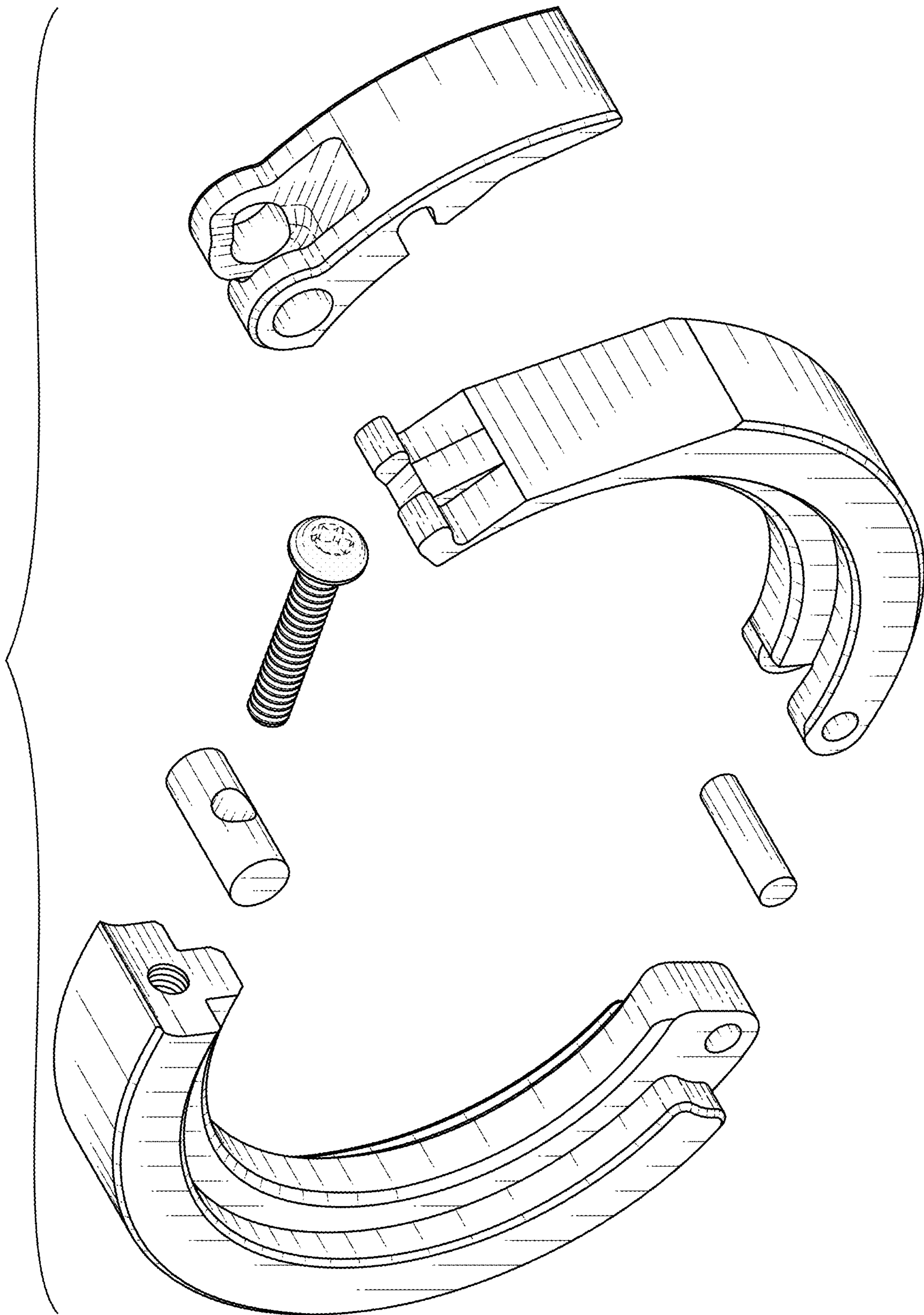


FIG. 19