



US00D885172S

(12) **United States Design Patent**
Lowrie

(10) **Patent No.:** **US D885,172 S**

(45) **Date of Patent:** **** May 26, 2020**

- (54) **FORMWORK FRAME**
- (71) Applicant: **Easy Form Pty Ltd**, Warragul, Victoria (AU)
- (72) Inventor: **Heath Lowrie**, Warragul (AU)
- (73) Assignee: **Easy Form Pty Ltd**, Warragul (AU)
- (**) Term: **15 Years**
- (21) Appl. No.: **29/657,036**
- (22) Filed: **Jul. 18, 2018**
- (51) **LOC (12) Cl.** **08-08**
- (52) **U.S. Cl.**
USPC **D8/384**
- (58) **Field of Classification Search**
USPC D25/35, 38.1, 39, 41.1, 42-45, 48.8, D25/61-68, 199, 113, 102, 126; 249/13, 249/34, 18, 48, 213, 219.2, 4; 264/33, 264/334, 31; D8/384, 354
CPC E04G 17/14; E04G 13/00; E04G 21/185; E04G 17/12; E04G 11/00; B28B 7/02
See application file for complete search history.

- D551,538 S * 9/2007 Pearce D8/354
- 8,061,680 B1 * 11/2011 Erickson E04G 13/00 249/34
- D664,028 S * 7/2012 Stehler D8/384
- D711,728 S * 8/2014 Kang D8/384
- 9,539,739 B2 * 1/2017 Ruthrauff B28B 7/025
- 2011/0210234 A1 * 9/2011 Garcia, Jr. E04G 17/14 249/213
- 2011/0285044 A1 * 11/2011 Sollars E04G 13/00 249/213
- 2017/0292280 A1 * 10/2017 White E04G 11/06
- 2018/0169897 A1 * 6/2018 Jennings B28B 1/14

* cited by examiner

Primary Examiner — Gino Colan

(74) *Attorney, Agent, or Firm* — Amster, Rothstein & Ebenstein LLP

(57) **CLAIM**

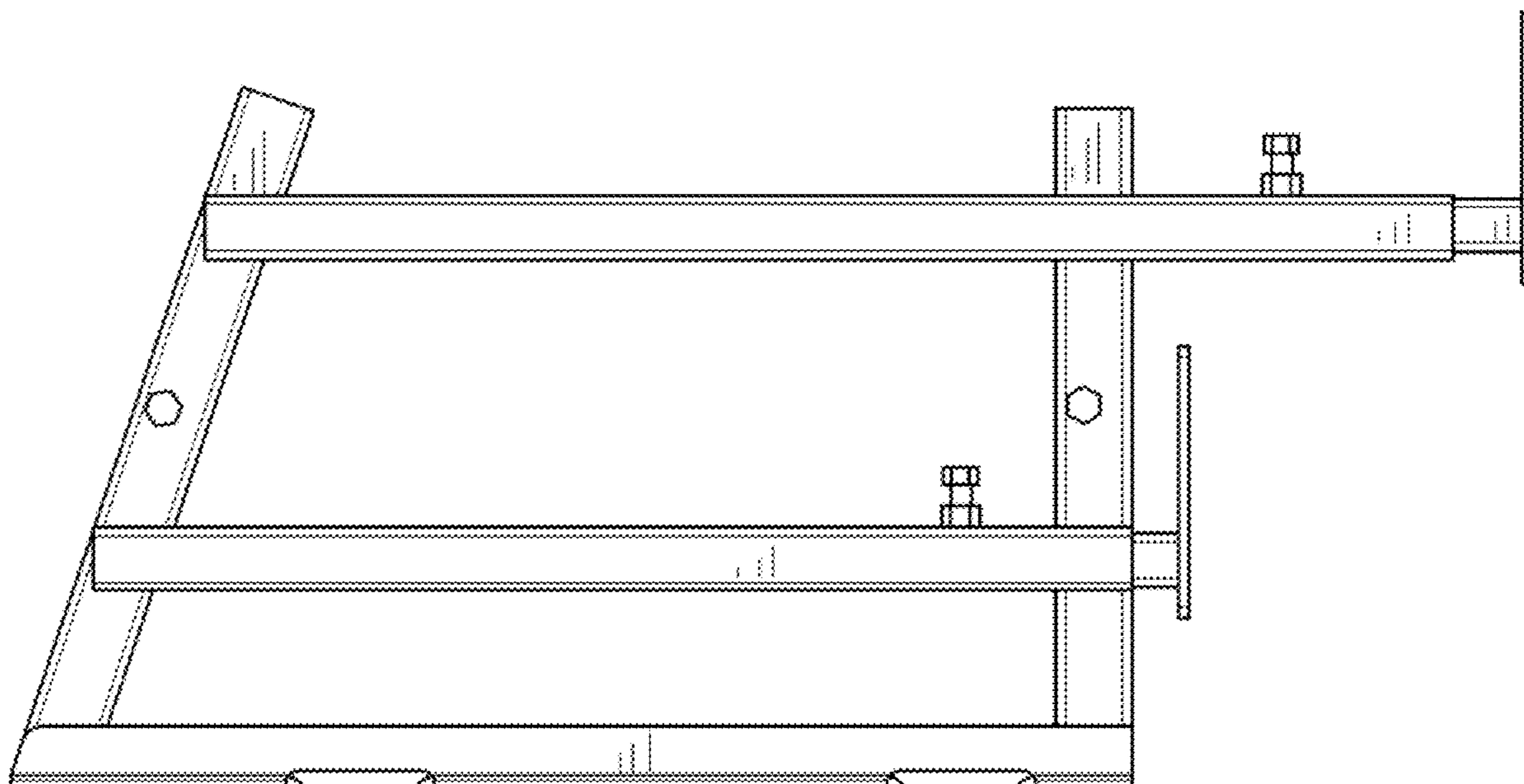
The ornamental design for a formwork frame, as shown and described.

DESCRIPTION

FIG. 1 is a left side elevational view of a formwork frame showing our new design;
 FIG. 2 is a right side elevational view thereof;
 FIG. 3 is a top plan view thereof;
 FIG. 4 is a front elevational view thereof;
 FIG. 5 is a back elevational view thereof;
 FIG. 6 is a bottom plan view thereof;
 FIG. 7 is a perspective view thereof; and,
 FIG. 8 is another perspective view thereof.

1 Claim, 3 Drawing Sheets

- (56) **References Cited**
U.S. PATENT DOCUMENTS
3,520,508 A * 7/1970 Tooley E04G 11/48 249/18
5,817,247 A * 10/1998 Colatruglio E01C 19/502 249/4



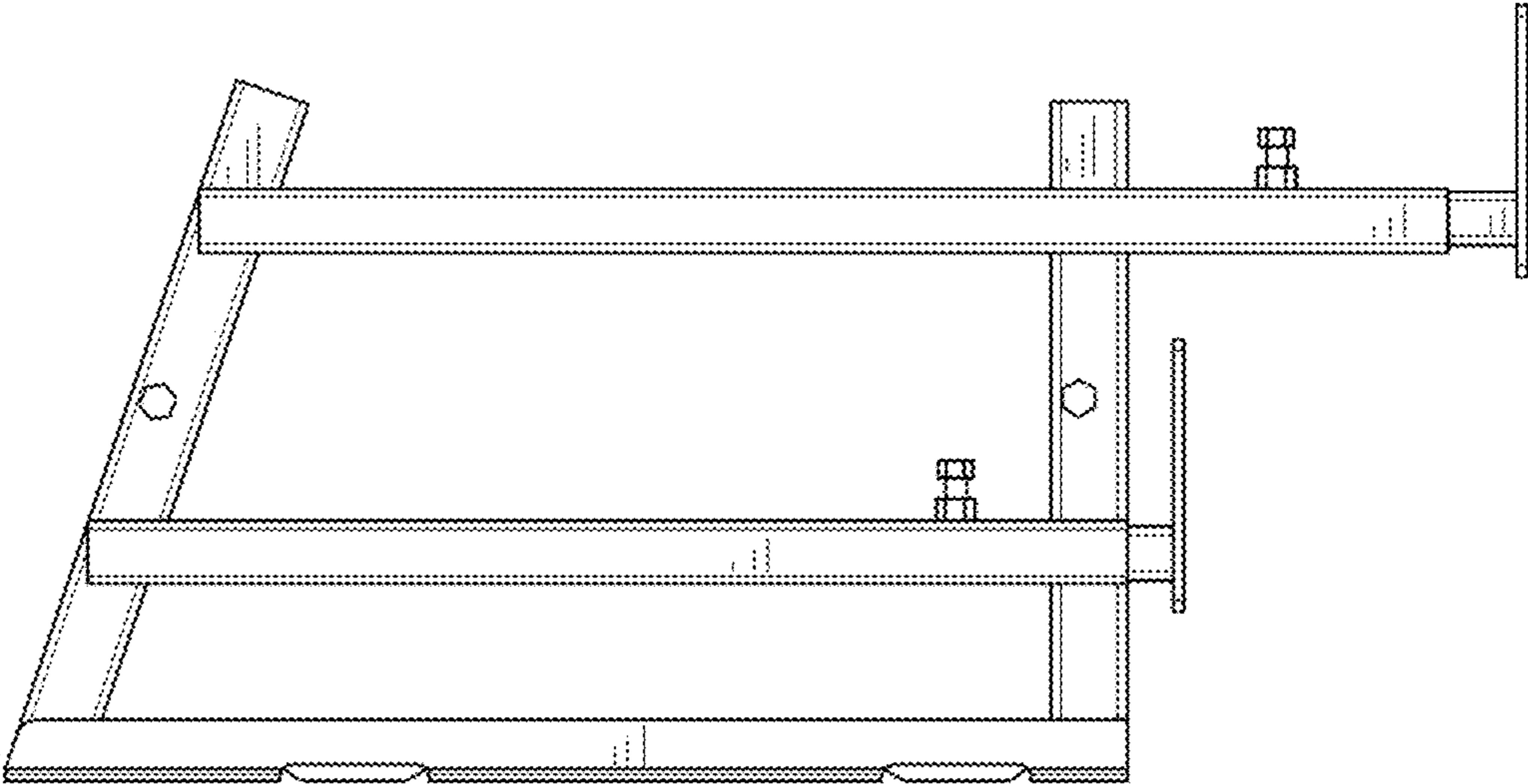


FIG. 1

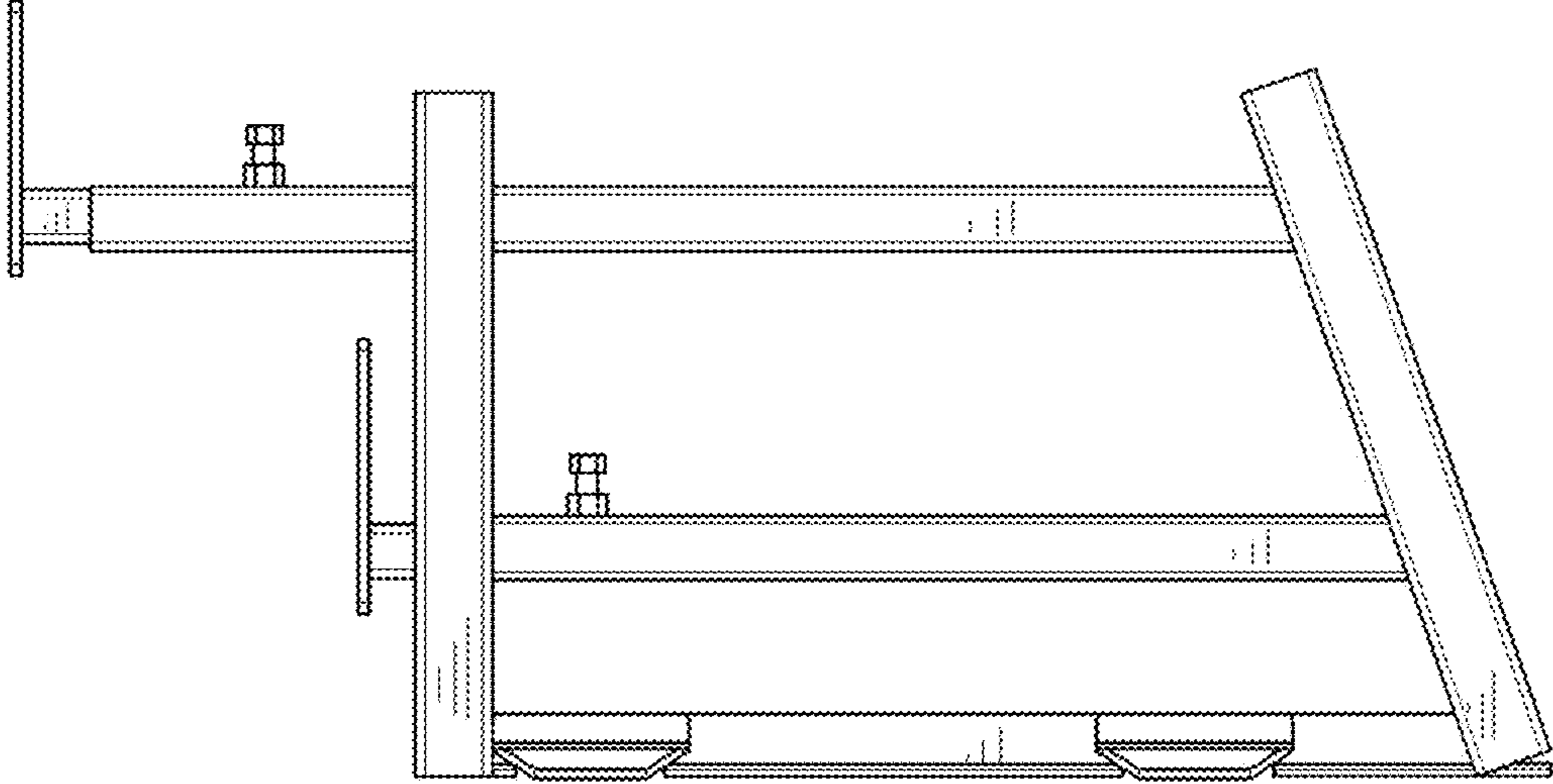


FIG. 2

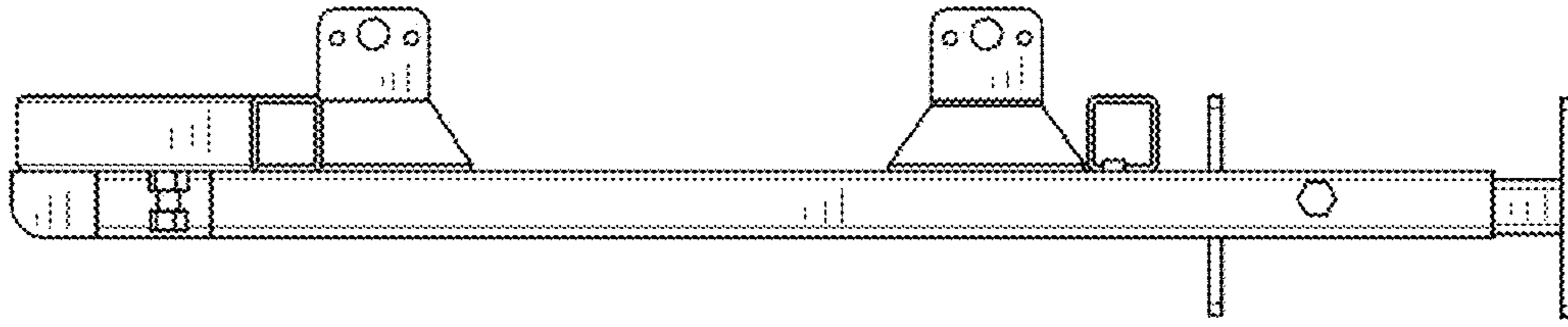


FIG. 3

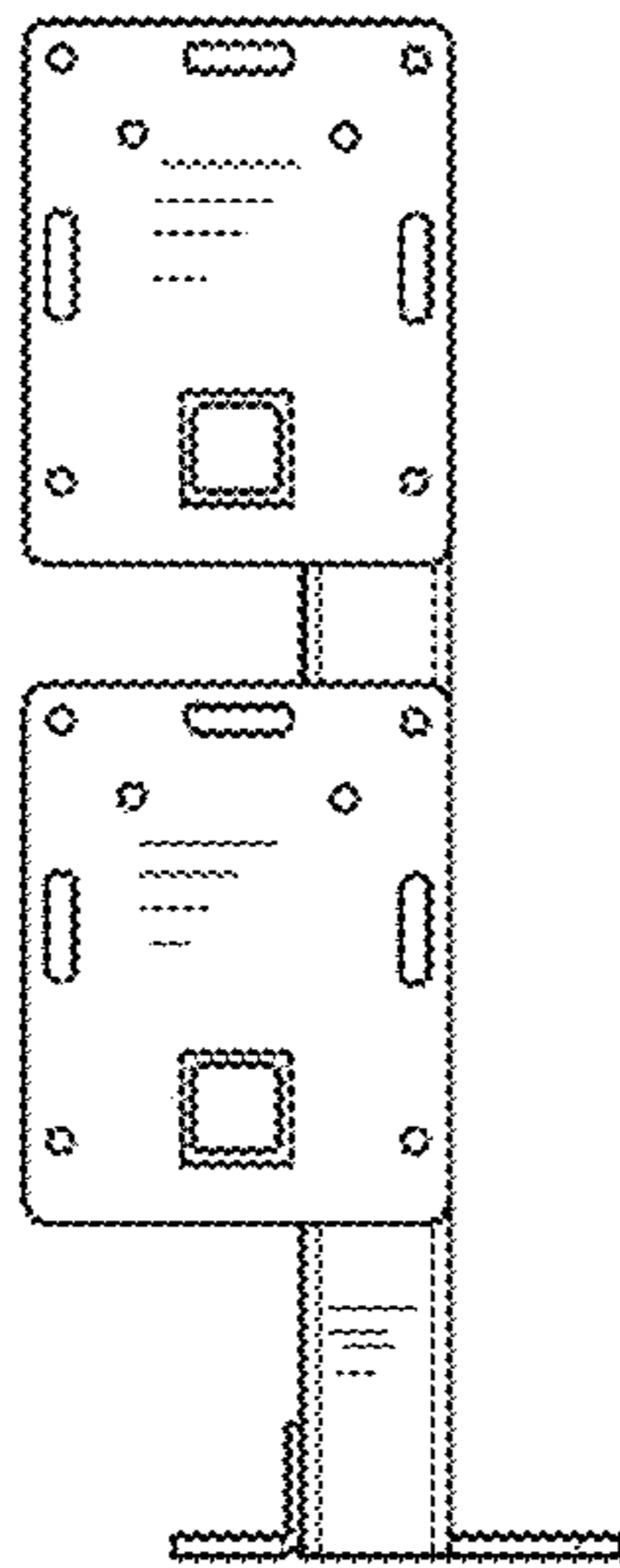


FIG. 4

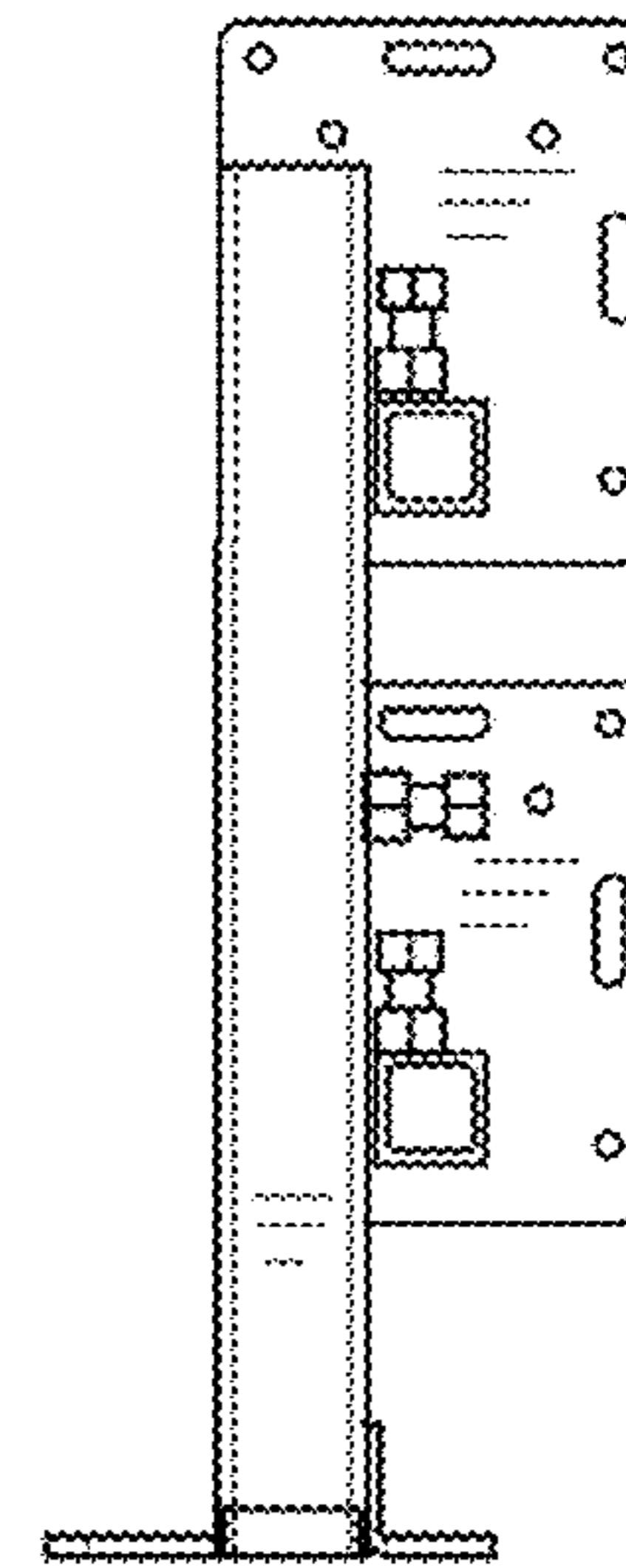


FIG. 5

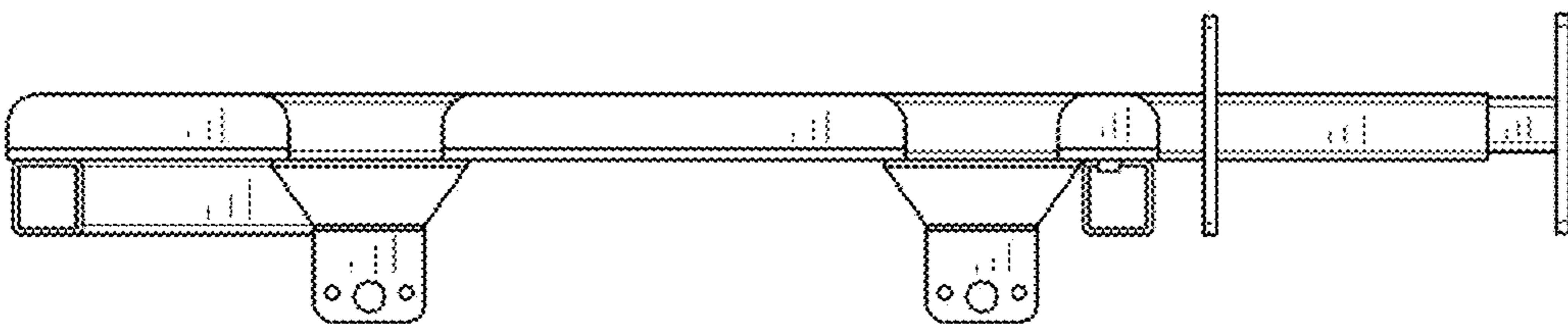


FIG. 6

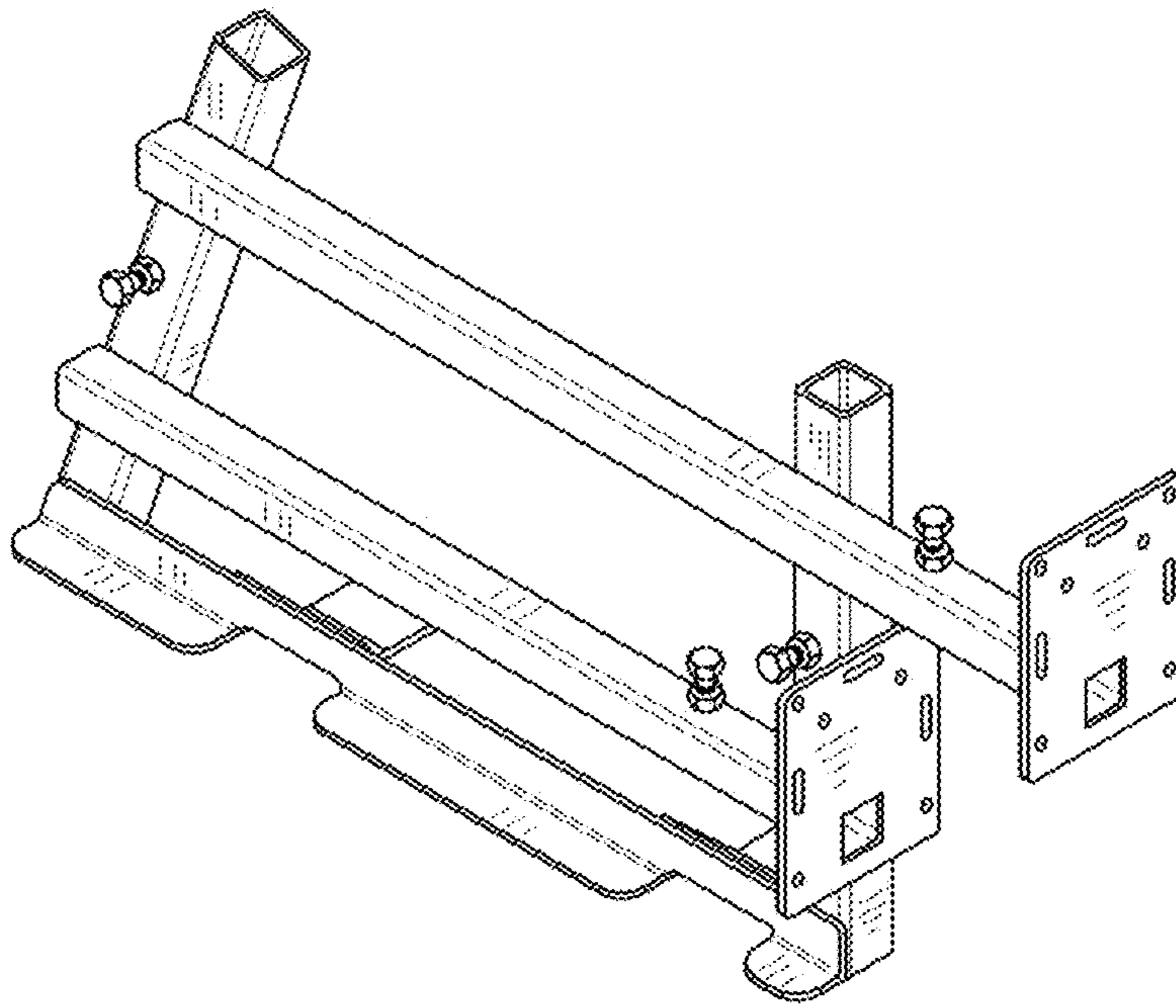


FIG. 7

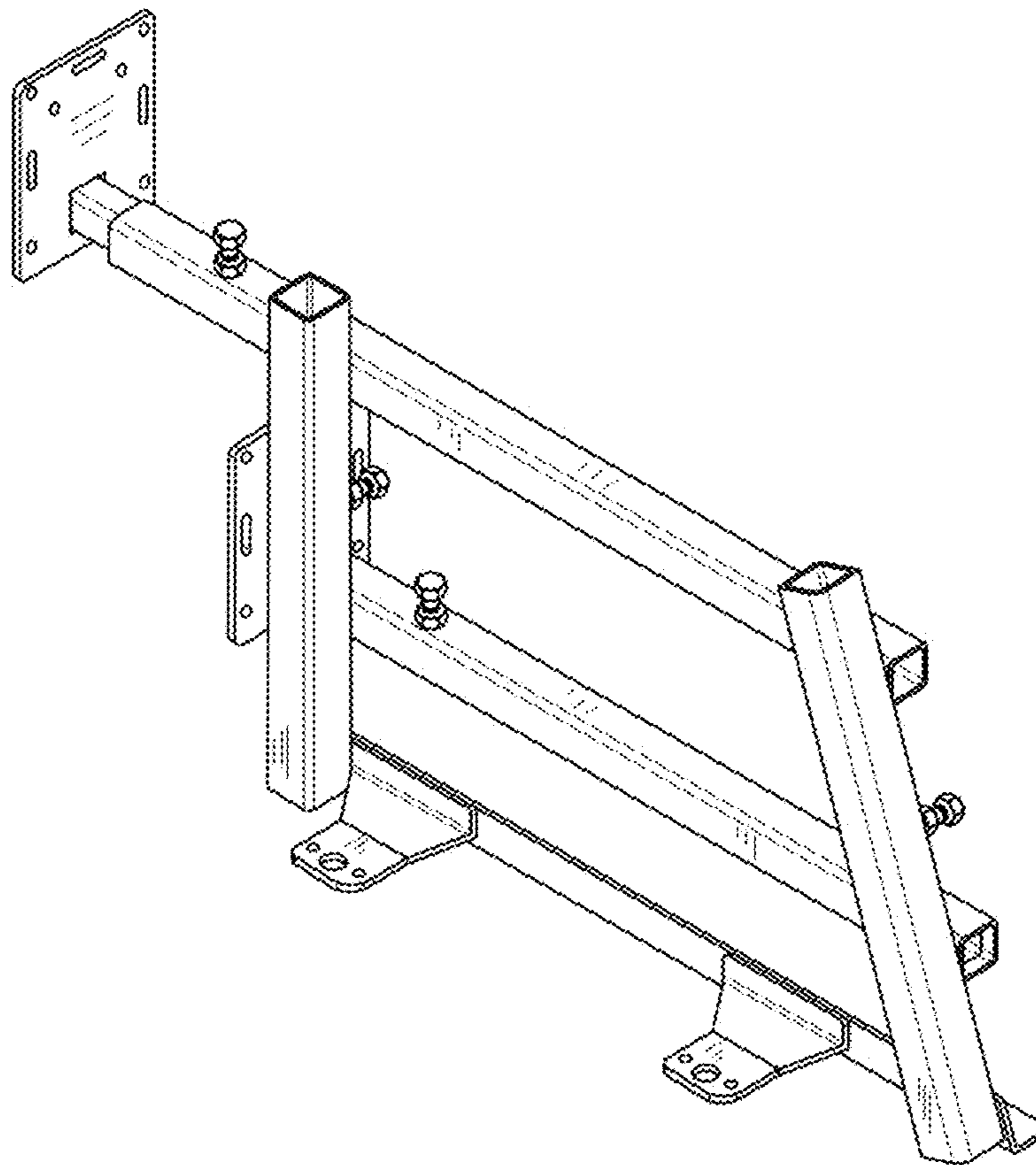


FIG. 8