



US00D885171S

(12) **United States Design Patent** (10) **Patent No.:** **US D885,171 S**
Koelling et al. (45) **Date of Patent:** **** May 26, 2020**

(54) **CHANNEL LOCK FASTENER**
(71) Applicant: **Lockdowel, Inc.**, Fremont, CA (US)
(72) Inventors: **Fred Koelling**, Foster City, CA (US);
Bryan Koelling, Carmel Valley, CA (US); **Daniel Savage**, San Mateo, CA (US); **Hoang Dang**, San Jose, CA (US)
(73) Assignee: **Lockdowel, Inc.**, Fremont, CA (US)

3,674,068 A 7/1972 Lucci
3,752,553 A 8/1973 Bildahl et al.
3,894,377 A 7/1975 Welch
4,025,216 A * 5/1977 Hives F16B 12/26
403/381
4,199,907 A 4/1980 Bains
4,258,464 A 3/1981 Ullman, Jr.
(Continued)

(**) Term: **15 Years**
(21) Appl. No.: **29/698,855**
(22) Filed: **Jul. 19, 2019**

FOREIGN PATENT DOCUMENTS

CA 2280528 A1 4/2000
CN 103 216 505 A 7/2013
(Continued)

Related U.S. Application Data

(63) Continuation of application No. 16/216,901, filed on Dec. 11, 2018, which is a continuation of application No. 15/215,506, filed on Jul. 20, 2016, now Pat. No. 10,197,081.

OTHER PUBLICATIONS

International Search Report, dated Nov. 28, 2016, for corresponding International Application No. PCT/US2016/043205.
(Continued)

(51) **LOC (12) Cl.** **08-08**
(52) **U.S. Cl.**
USPC **D8/382**; D8/387; D8/390

Primary Examiner — Lilyana Bekic
Assistant Examiner — Ieisha N Price
(74) *Attorney, Agent, or Firm* — Intellectual Property Law Group LLP

(58) **Field of Classification Search**
USPC D8/349, 354, 372, 382, 385, 387, 388, D8/389, 391, 390; D6/328, 329, 703, D6/572, 622, 702, 705
CPC F16B 12/20; F16B 12/22; F16B 12/24; F16B 12/26; F16B 12/125; F16B 12/10; F16B 2012/103; F16B 2012/106; A47B 47/04; A47B 47/025; A47B 47/042; A47B 2230/0077; A47B 2230/0081; A47B 47/0025; A47B 96/06; A47F 5/10; A61B 17/064; A61B 17/068
See application file for complete search history.

(57) **CLAIM**

The ornamental design for a channel lock fastener, as shown and described.

(56) **References Cited**

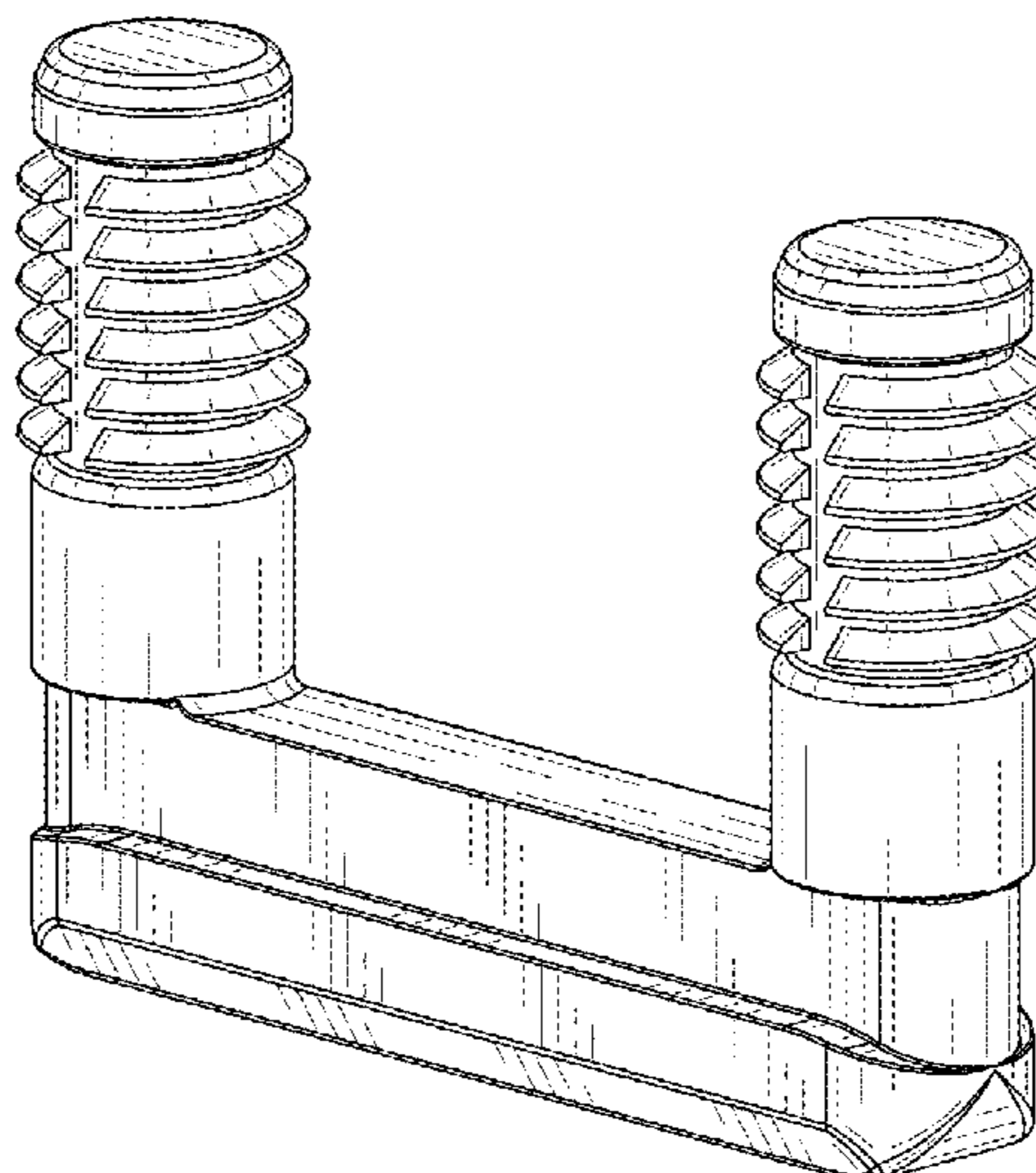
U.S. PATENT DOCUMENTS

979,853 A 12/1910 Hartshorn
3,310,327 A 3/1967 Tremblay

DESCRIPTION

FIG. 1 is a perspective view of a channel lock fastener embodying our new design;
FIG. 2 is a front elevational view thereof, the rear elevational view being a mirror image thereof;
FIG. 3 is a right side elevational view thereof, the left side elevational view being a mirror image thereof;
FIG. 4 is a top plan view thereof; and,
FIG. 5 is a bottom plan view thereof.

1 Claim, 2 Drawing Sheets



(56)

References Cited

U.S. PATENT DOCUMENTS

4,292,003 A * 9/1981 Pond F16B 5/10
403/231
4,332,205 A 6/1982 Corl
4,402,117 A * 9/1983 Kitagawa F16B 5/10
24/595.1
4,634,309 A * 1/1987 Dewey F16B 12/24
403/231
D294,676 S * 3/1988 Egner D8/382
4,846,538 A * 7/1989 Rock A47B 88/956
312/263
4,874,212 A * 10/1989 Rock A47B 88/956
312/330.1
4,902,080 A * 2/1990 Berger A47B 88/00
312/348.4
4,922,678 A 5/1990 Scheiwiller
4,932,105 A 6/1990 Muller
4,942,709 A 7/1990 Waldron
D309,985 S * 8/1990 Cox D6/300
5,090,835 A 2/1992 Cox
5,150,865 A * 9/1992 Miller F16B 21/088
248/220.41
5,251,996 A * 10/1993 Hiller F16B 12/10
403/292
5,380,119 A 1/1995 Hadden
D356,729 S * 3/1995 Kassouni D8/387
5,407,310 A * 4/1995 Kassouni B29C 70/76
29/525.02
5,430,983 A 7/1995 Taipalensuu
D377,601 S 1/1997 Kozyrski
5,611,637 A * 3/1997 Brustle A47B 88/00
403/297
5,636,934 A 6/1997 Nakanishi et al.
D384,271 S * 9/1997 Kozyrski D6/300
5,895,103 A * 4/1999 Huber A47B 88/956
312/348.4
5,934,486 A 8/1999 Jarvis et al.
6,186,698 B1 2/2001 Knapp
6,761,008 B2 7/2004 Chen et al.
7,225,751 B2 6/2007 Rueckert
8,104,989 B2 1/2012 Liu et al.
8,549,796 B2 10/2013 Heather
8,608,407 B1 12/2013 Vaughn et al.
8,641,315 B2 2/2014 Liu et al.
8,821,594 B2 9/2014 Burgazli et al.

9,051,953 B2 6/2015 Imel et al.
D820,073 S * 6/2018 Iacono D8/382
D857,487 S * 8/2019 Thompson D8/390
2003/0026651 A1 2/2003 Ley
2004/0067098 A1 4/2004 Sun
2004/0223805 A1 11/2004 Benedetti et al.
2005/0097851 A1 5/2005 Lubera et al.
2006/0174579 A1 8/2006 Matson
2008/0159806 A1 7/2008 Niswonger
2010/0003077 A1 1/2010 Kelley
2010/0079045 A1 4/2010 Yeh
2010/0254757 A1 10/2010 Saul
2011/0085853 A1 4/2011 Liu
2011/0255915 A1 10/2011 Chen et al.
2012/0301217 A1 11/2012 Liu et al.
2012/0321378 A1 12/2012 Velez, Jr.
2013/0239509 A1 9/2013 Wang
2013/0287484 A1 10/2013 Phillips
2014/0150368 A1 6/2014 MacDonald
2014/0294498 A1 10/2014 Logan
2015/0147113 A1 5/2015 Crabtree
2015/0219137 A1 * 8/2015 Koelling F16B 19/002
29/453
2015/0354612 A1 12/2015 Koch
2017/0023041 A1 * 1/2017 Koelling F16B 12/24
2017/0023043 A1 * 1/2017 Koelling F16B 12/125
2018/0031019 A1 * 2/2018 Sjostedt F16B 12/22
2018/0220798 A1 * 8/2018 Koelling A47B 88/427
2019/0003505 A1 * 1/2019 Cattaneo A47B 91/026
2019/0211859 A1 * 7/2019 Liu F16B 12/125
2019/0242420 A1 * 8/2019 Dietrich F16B 12/20

FOREIGN PATENT DOCUMENTS

DE 295 11 055 2/1996
DE 10 2011 122 697 6/2013
JP S05126547 U 10/1975
WO WO 2015/158622 A1 10/2015
WO WO 2016/133455 A1 8/2016

OTHER PUBLICATIONS

Written Opinion of the International Searching Authority, dated Nov. 28, 2016, for corresponding International Application No. PCT/US2016/043205.

* cited by examiner

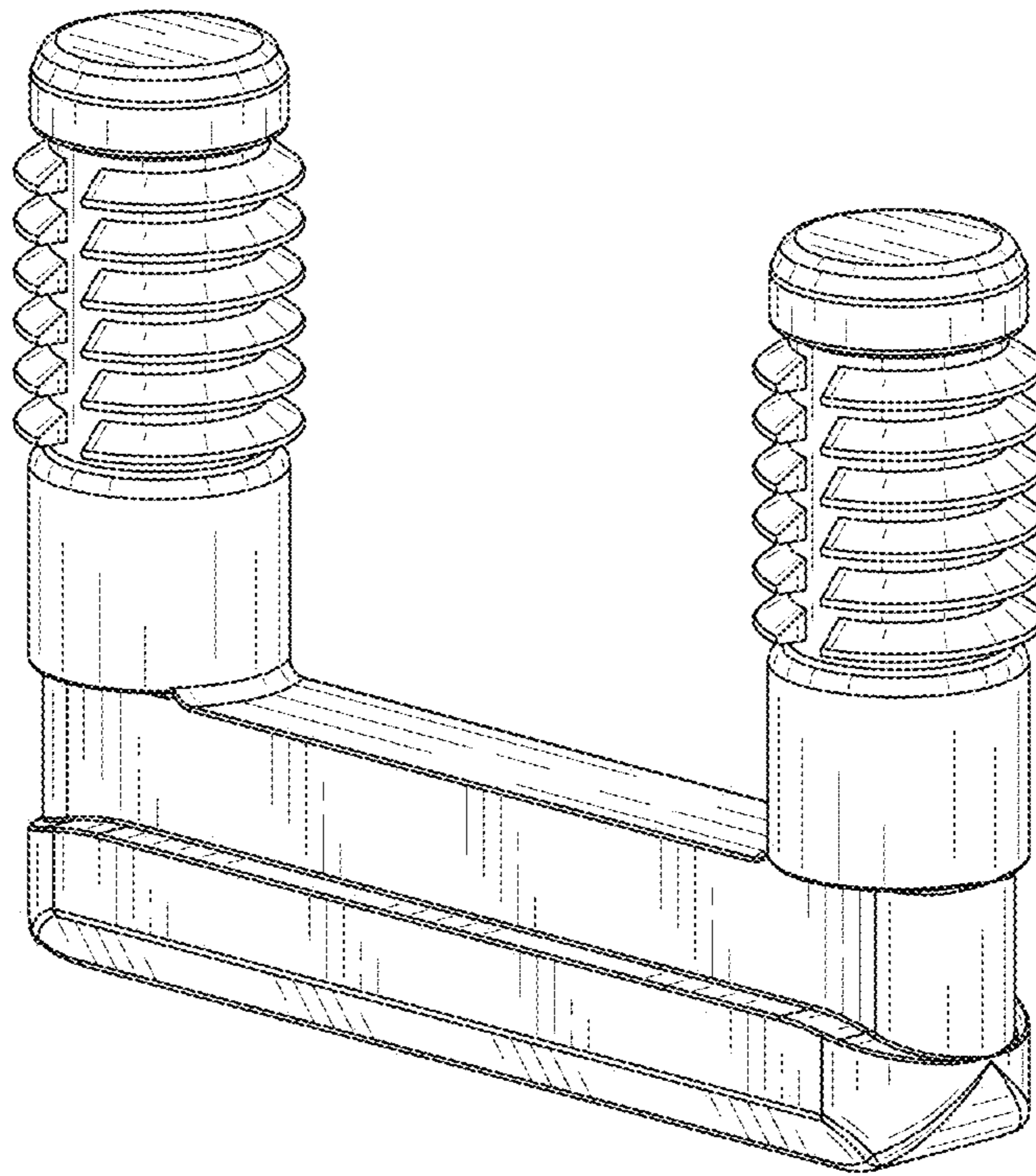


FIG. 1

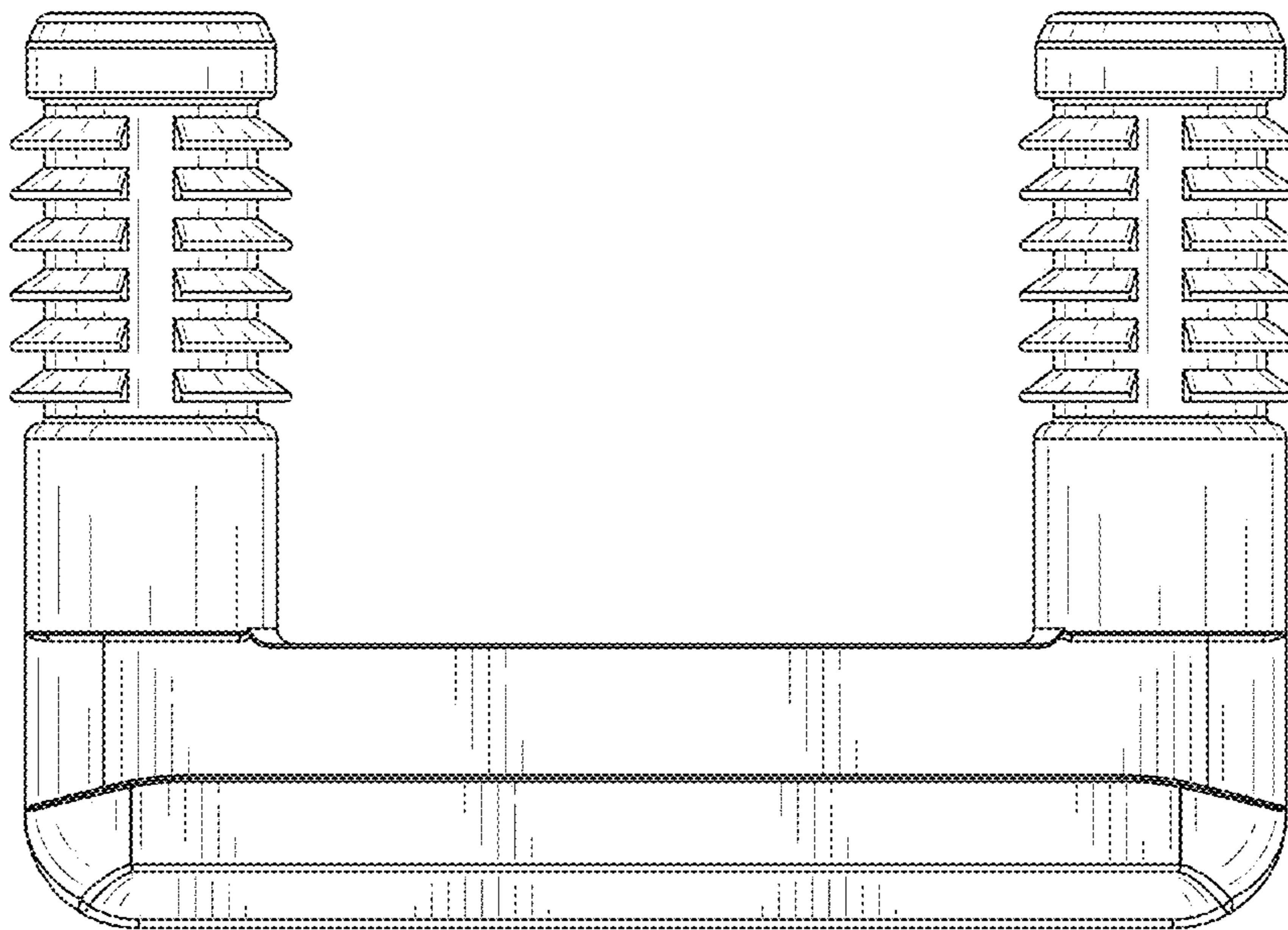


FIG. 2

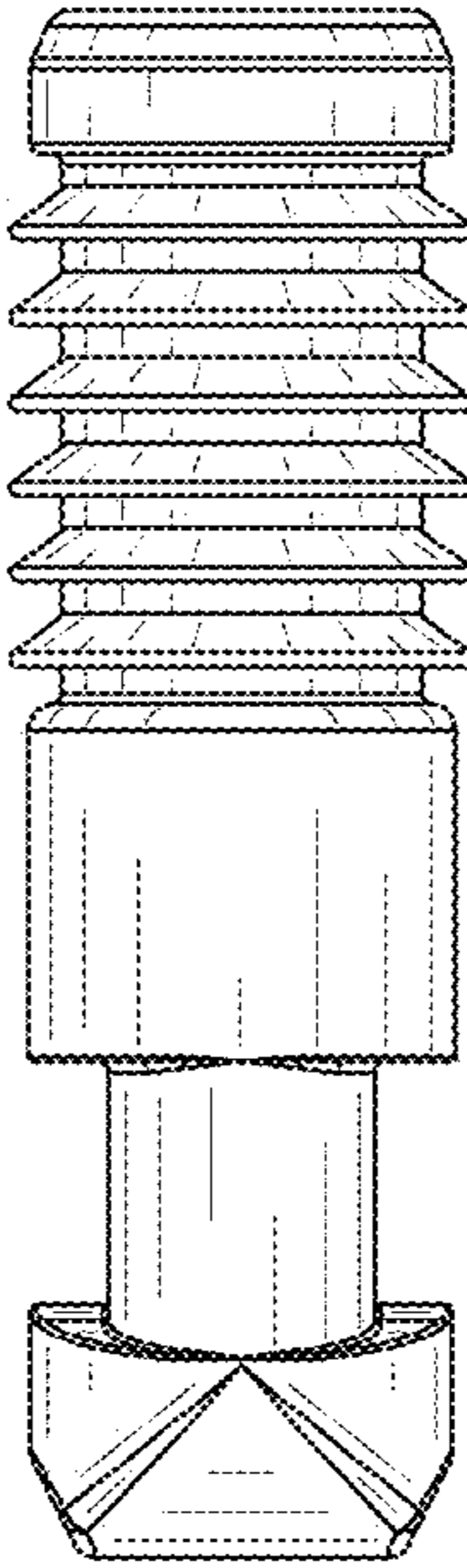


FIG. 3

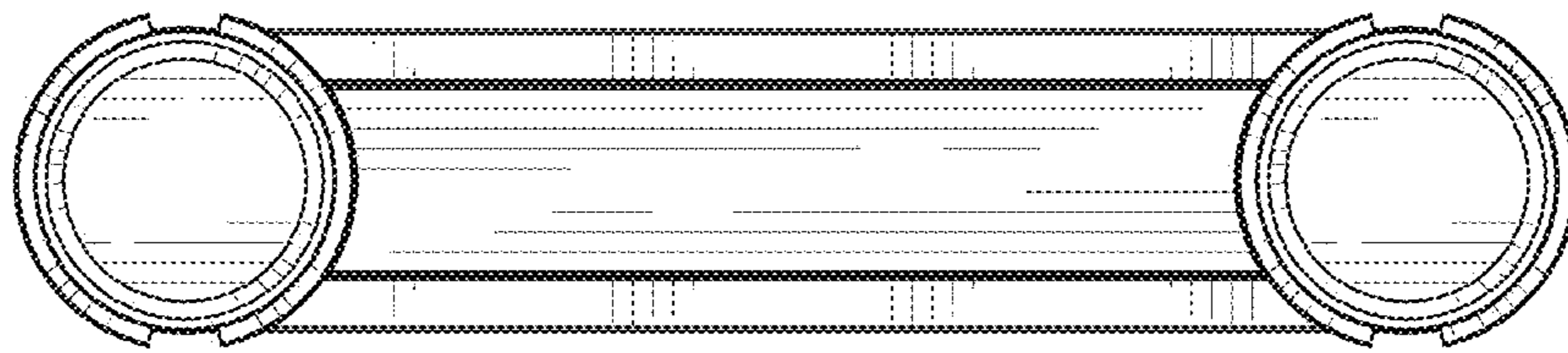


FIG. 4

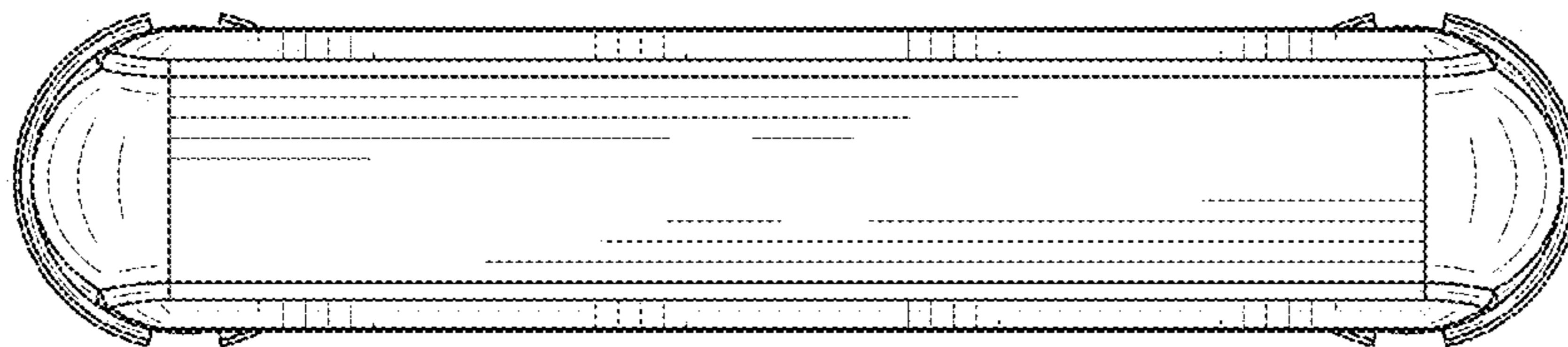


FIG. 5