



US00D885170S

(12) **United States Design Patent**
McMullin

(10) **Patent No.:** **US D885,170 S**

(45) **Date of Patent:** **** May 26, 2020**

(54) **CHAIR JOINT**

(71) Applicant: **Leedsworld, Inc.**, New Kensington, PA (US)

(72) Inventor: **Morgan McMullin**, Pittsburg, PA (US)

(73) Assignee: **LEEDSWORLD, INC.**, New Kensington, PA (US)

(**) Term: **15 Years**

(21) Appl. No.: **29/648,696**

(22) Filed: **May 23, 2018**

(51) **LOC (12) Cl.** **08-08**

(52) **U.S. Cl.**
USPC **D8/382**

(58) **Field of Classification Search**
USPC D8/349, 354, 382; D6/363, 368, 708.16
CPC A47C 3/023; A47C 4/021; A47C 7/00;
A47C 7/52; A47C 1/026; A47C 4/34;
A47C 4/028; A47C 4/02; A47C 4/286
See application file for complete search history.

(56) **References Cited**

U.S. PATENT DOCUMENTS

D831,366 S *	10/2018	Jin	D6/368
D848,828 S *	5/2019	Zhu	D8/382
D848,829 S *	5/2019	Zhu	D8/382
D854,914 S *	7/2019	Diez	D8/354
10,477,961 B2 *	11/2019	Heim	A47B 13/02
10,531,740 B2 *	1/2020	Graybill	A47C 4/286

2016/0113402 A1 *	4/2016	Lee	A47C 4/42 297/16.2
2017/0311723 A1 *	11/2017	Lenhart	A47C 4/286
2018/0010624 A1 *	1/2018	Schlitter	F16B 12/40
2018/0035806 A1 *	2/2018	Yang	A47C 4/42
2018/0235368 A1 *	8/2018	Graybill	A47C 4/286
2018/0303240 A1 *	10/2018	Kim	A47C 4/02
2019/0357683 A1 *	11/2019	Brensinger	A47C 3/0255

* cited by examiner

Primary Examiner — Lauren R Calve

(74) *Attorney, Agent, or Firm* — Jodi-Ann McLane;
McInnes & McLane, LLP

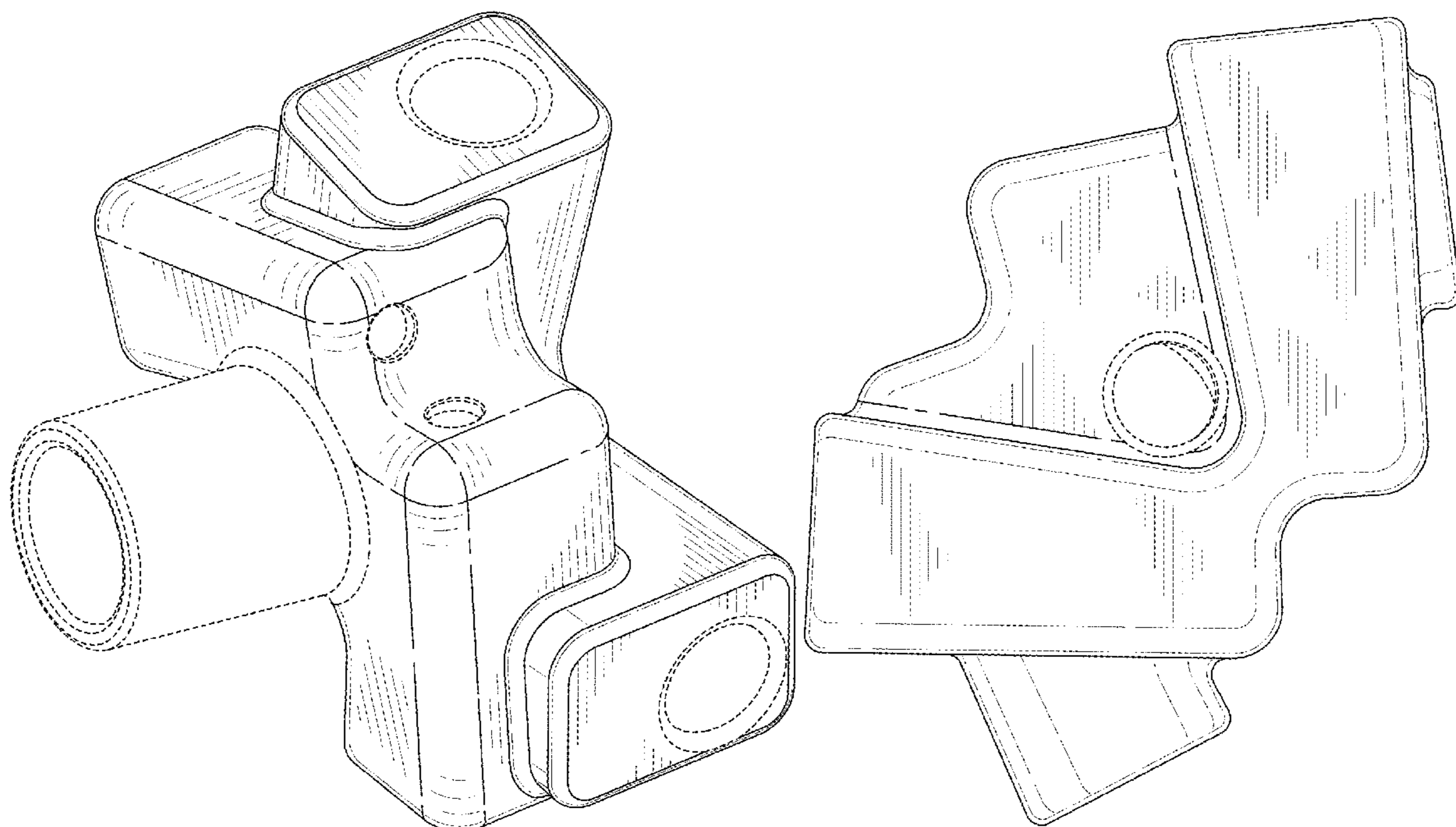
(57) **CLAIM**

The ornamental design for a chair joint, as shown and described.

DESCRIPTION

FIG. 1 is a perspective view of a chair joint showing my new design;
FIG. 2 is a front elevational view of the chair joint of FIG. 1;
FIG. 3 is a rear elevational view of the chair joint of FIG. 1;
FIG. 4 is a left side elevational view of the chair joint of FIG. 1;
FIG. 5 is a right side elevational view of the chair joint of FIG. 1;
FIG. 6 is a top plan view of the chair joint of FIG. 1; and,
FIG. 7 is a bottom plan view of the chair joint of FIG. 1.
The portions shown in broken lines are included for illustrative purposes only and form no part of the claimed design.

1 Claim, 7 Drawing Sheets



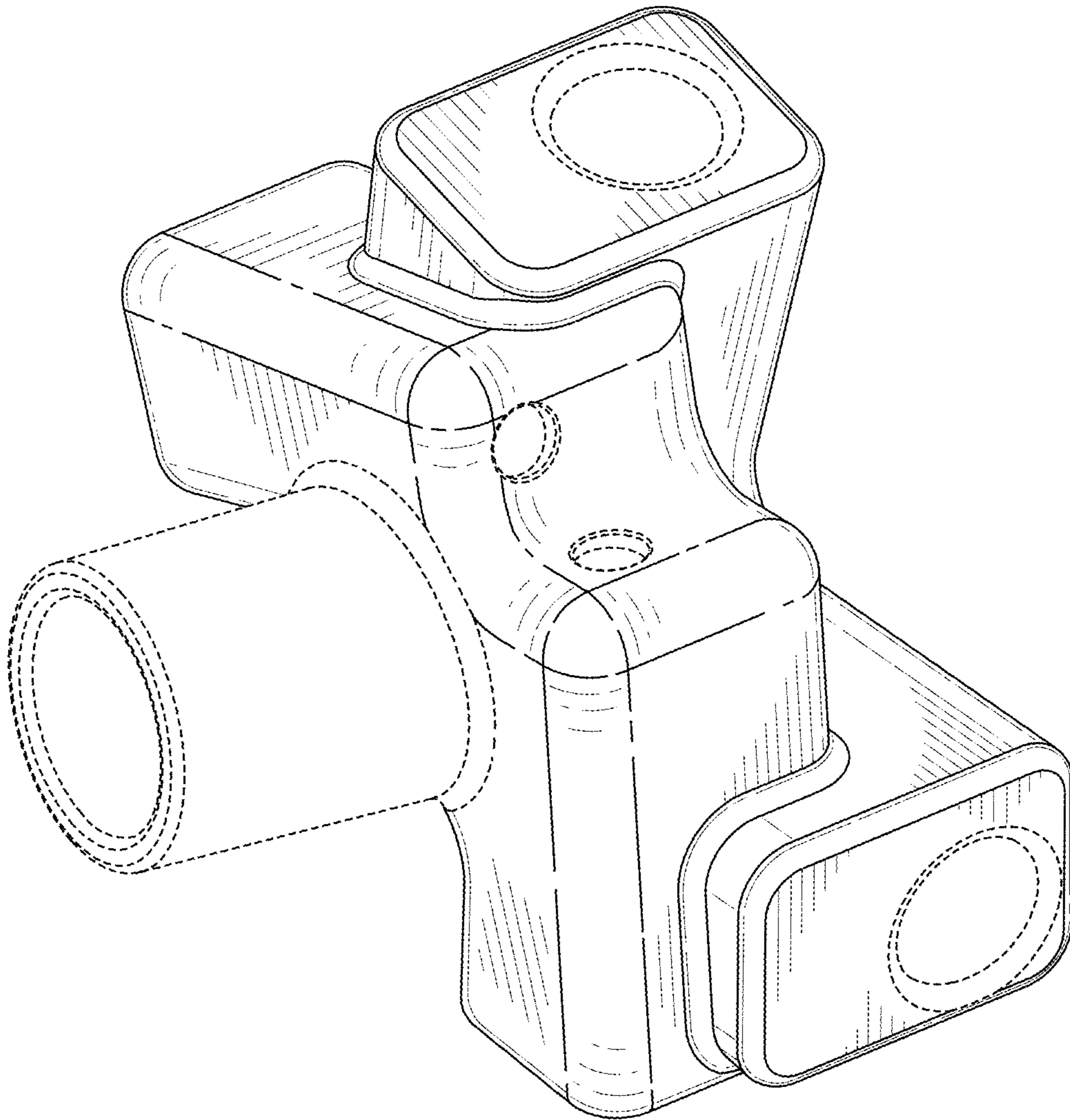


FIG. 1

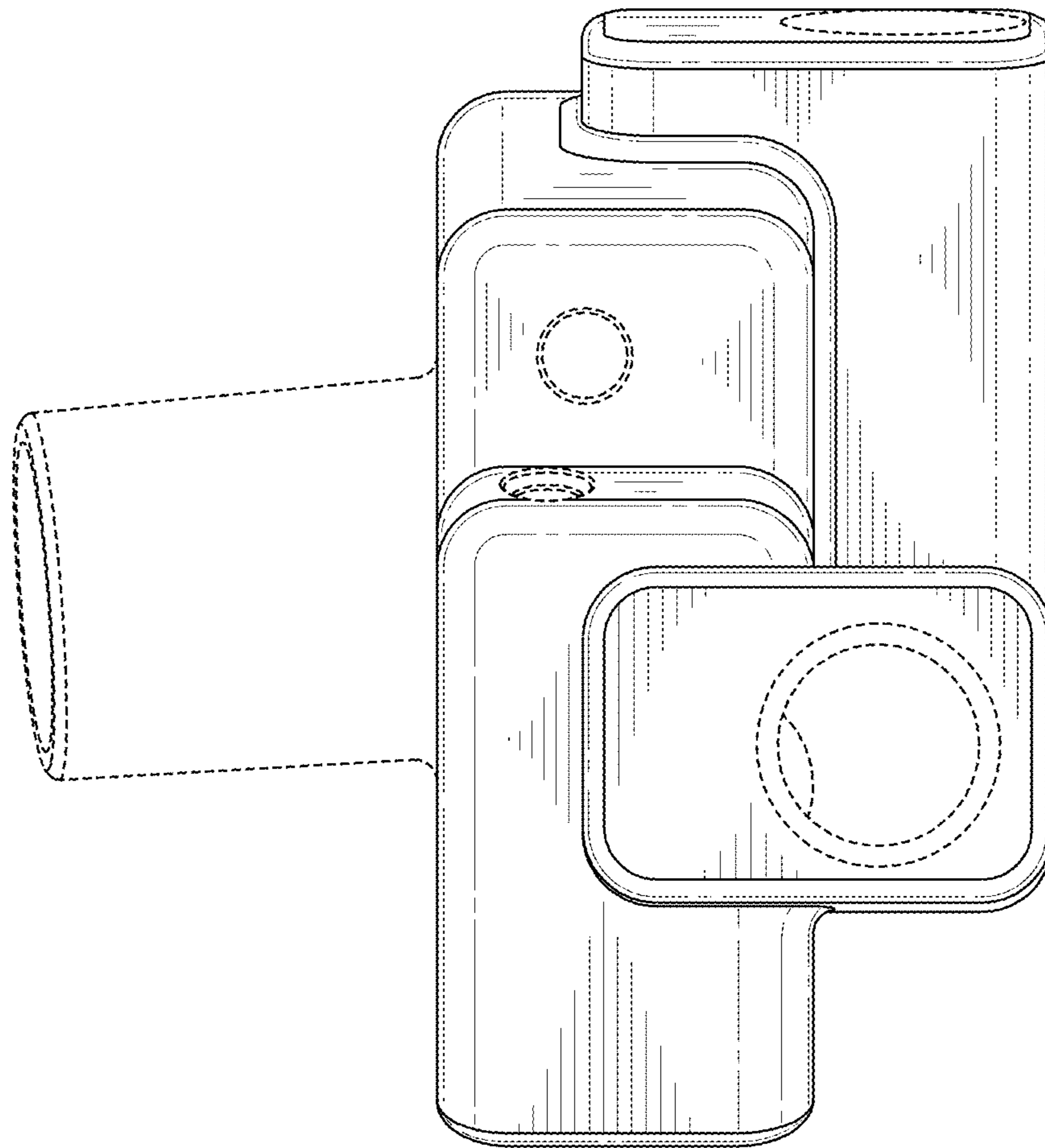


FIG. 2

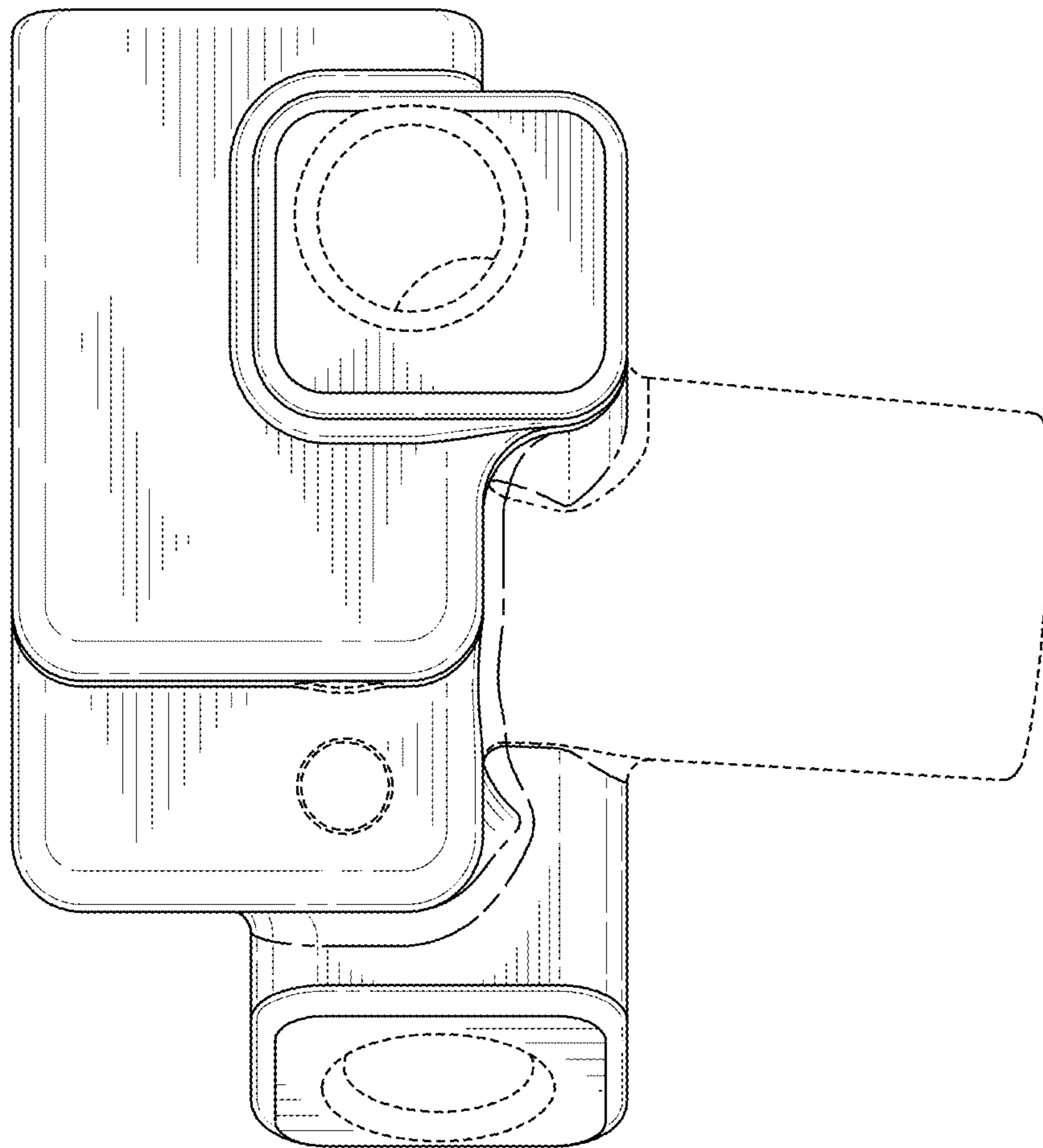


FIG. 3

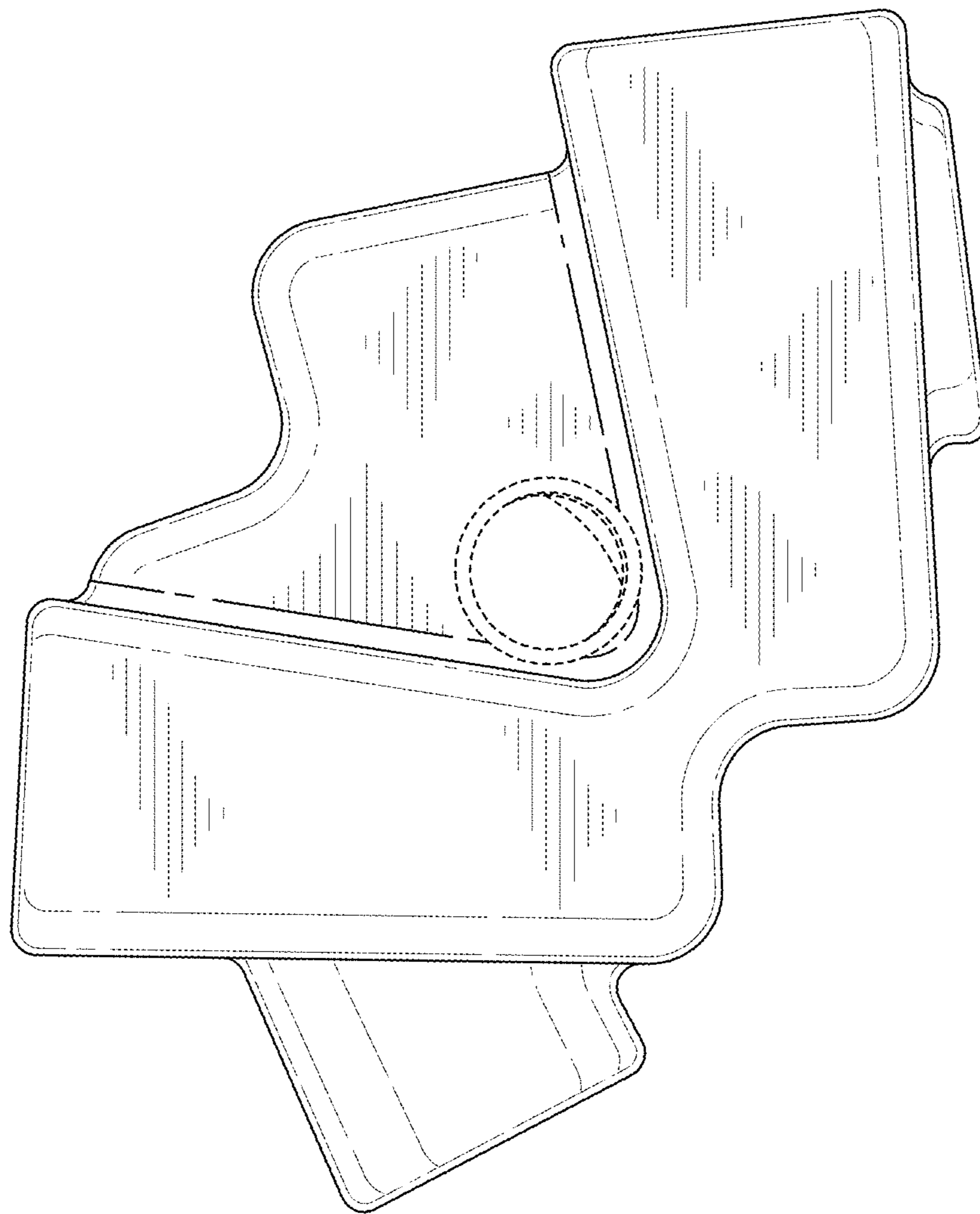


FIG. 4

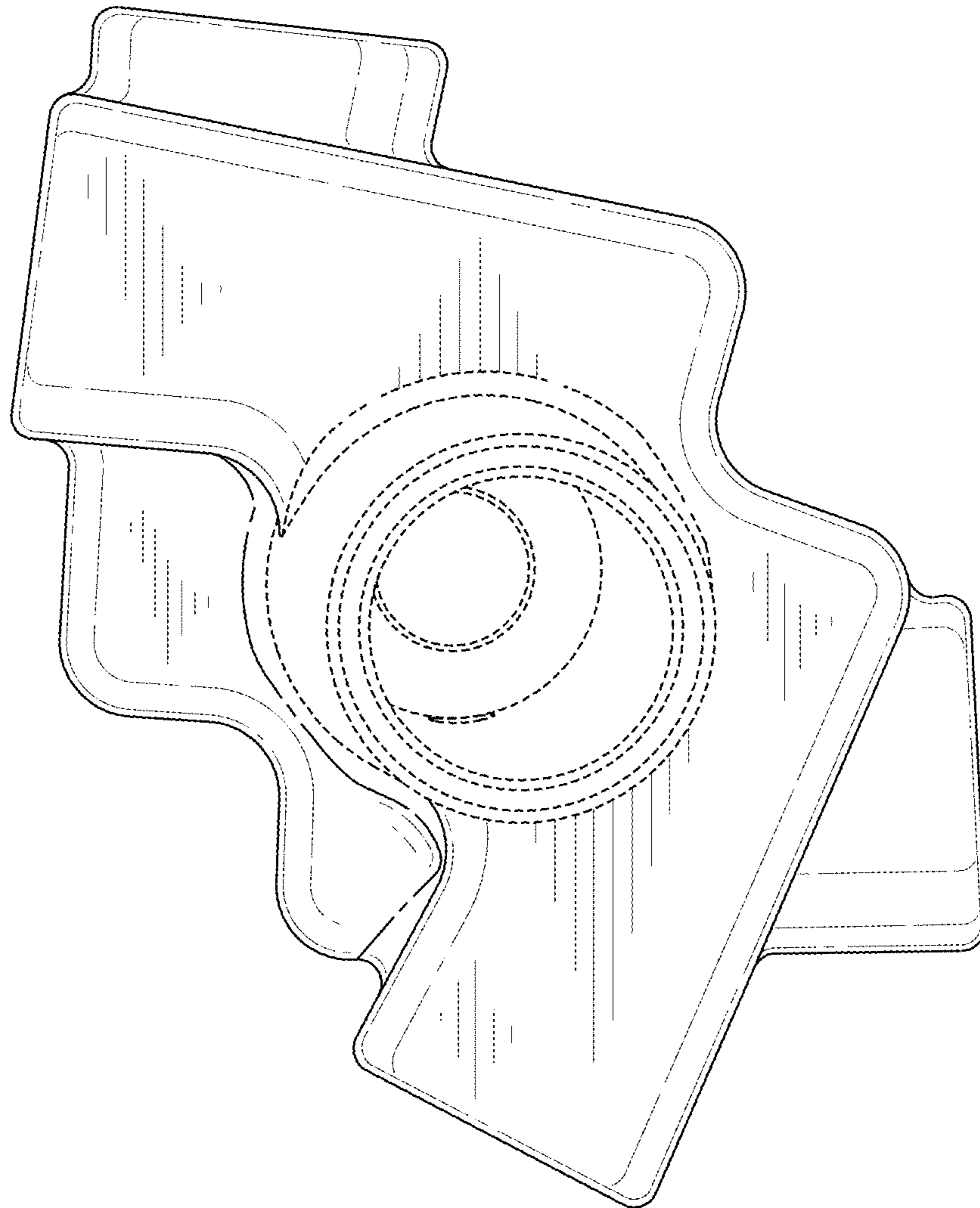


FIG. 5

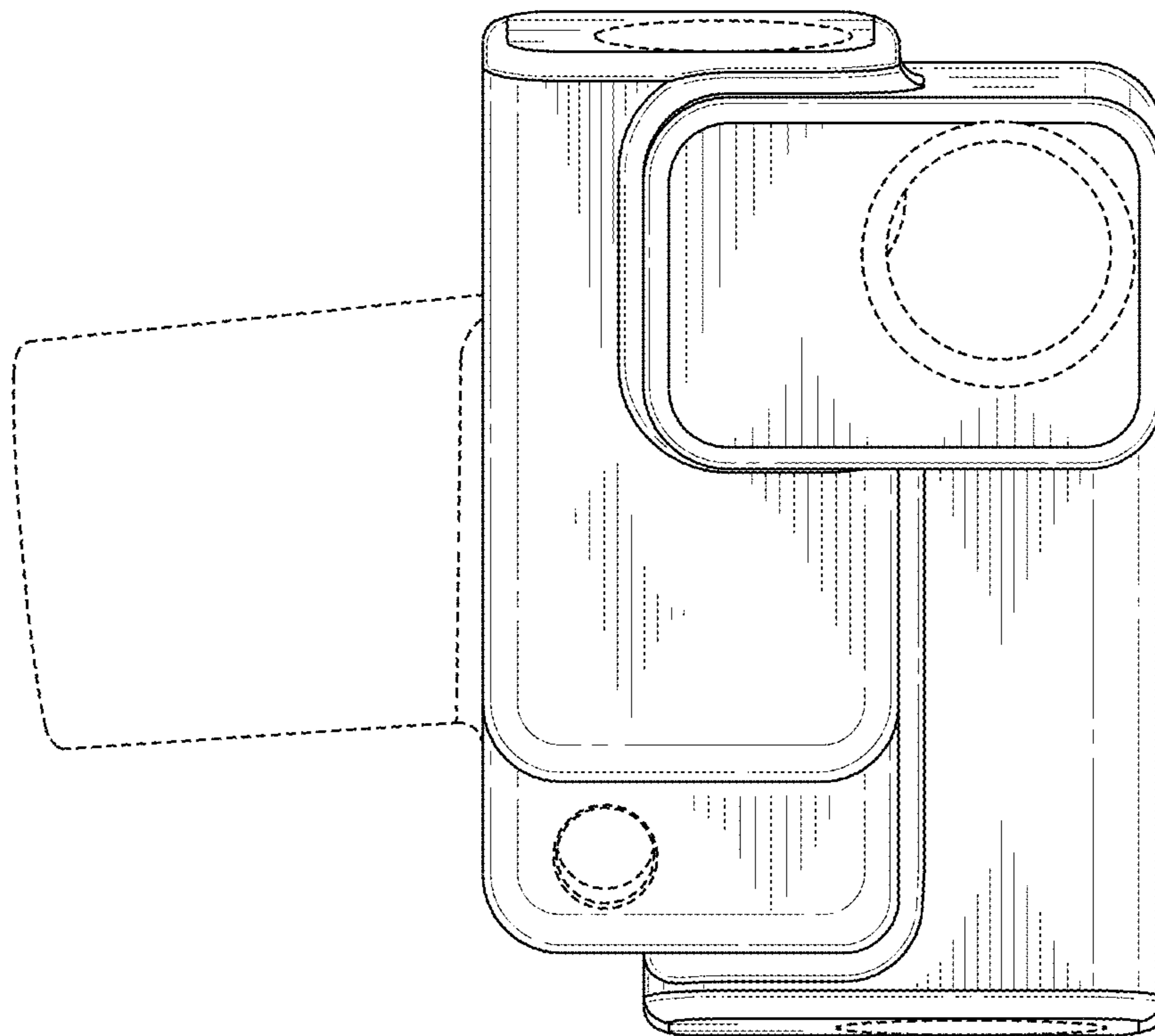


FIG. 6

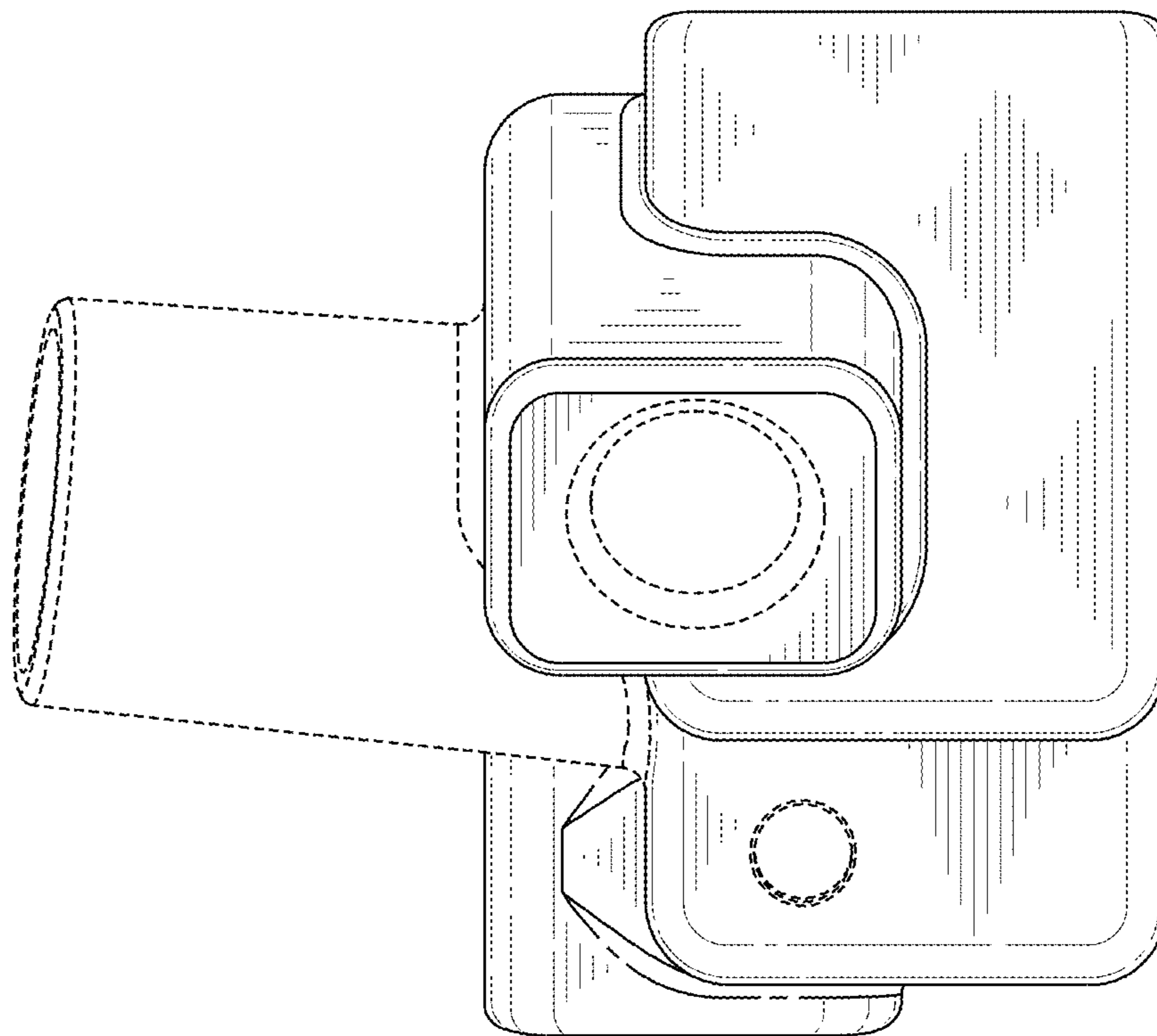


FIG. 7