



US00D885168S

(12) **United States Design Patent** (10) **Patent No.:** **US D885,168 S**  
**Proell** (45) **Date of Patent:** **\*\* May 26, 2020**

(54) **DRAPERY ROD ADAPTER**  
(71) Applicant: **Pamela J. Proell**, Estero, FL (US)  
(72) Inventor: **Pamela J. Proell**, Estero, FL (US)  
(\*\*) Term: **15 Years**

D451,003 S \* 11/2001 Proell-Immekus ..... D8/376  
D509,906 S \* 9/2005 Enersen ..... D25/38.1  
D588,278 S \* 3/2009 Carney ..... D25/38.1  
D647,630 S \* 10/2011 Seehof ..... D25/41.1  
D715,633 S \* 10/2014 Baker ..... D8/403  
D751,243 S \* 3/2016 Seehof ..... D25/41.1

(Continued)

(21) Appl. No.: **29/625,789**  
(22) Filed: **Nov. 13, 2017**  
(51) **LOC (12) Cl.** ..... **08-05**  
(52) **U.S. Cl.**  
USPC ..... **D8/377**  
(58) **Field of Classification Search**  
USPC ..... D8/321, 359, 374, 375, 376, 377, 400,  
D8/61, 64, 70, 363, 381, 354, 349, 403,  
D8/57, 69, 310; D3/276; D6/587;  
D7/318, 393, 600, 622, 705, 624.1, 502,  
D7/553.1, 553.2, 553.4, 553.5, 553.6,  
D7/554.2, 554.3; D9/531; D14/238, 373,  
D14/448, 451, 452; D25/38.1, 41.1, 43,  
D25/48.2, 48.3  
CPC ..... Y10T 16/10; Y10T 16/104; Y10T 16/124;  
Y10T 16/1263; Y10T 16/127; Y10T  
16/131; Y10T 16/14; Y10T 16/35; Y10T  
16/3543; Y10T 16/37; Y10T 16/376;  
Y10T 16/379; Y10T 16/387; Y10T  
24/44573; Y10T 29/53543; Y10T  
137/6903; Y10T 16/372; Y10T 16/375;  
Y10T 16/378; Y10T 16/3797; A47H 1/02  
See application file for complete search history.

**OTHER PUBLICATIONS**

Honister Unfinished 35mm & 50mm Wood Curtain Pole Only, posted unknown, [retrieved Sep. 22, 2019]. Retrieved from Internet, <URL: [http://www.justpoles.com/our-brands-manufacturers/hallishudson-rolls-museum-curtain-poles-tracks-tiebacks-%26-trimmings/unfinished-28mm-35mm-50mm-wood-curtain-poles/honister-unfinished-35.\\*](http://www.justpoles.com/our-brands-manufacturers/hallishudson-rolls-museum-curtain-poles-tracks-tiebacks-%26-trimmings/unfinished-28mm-35mm-50mm-wood-curtain-poles/honister-unfinished-35.*)

*Primary Examiner* — Shannon W Morgan  
*Assistant Examiner* — Kristin E Reed  
(74) *Attorney, Agent, or Firm* — Andrus Intellectual Property Law, LLP

(57) **CLAIM**

The ornamental design for a drapery rod adapter, as shown and described.

**DESCRIPTION**

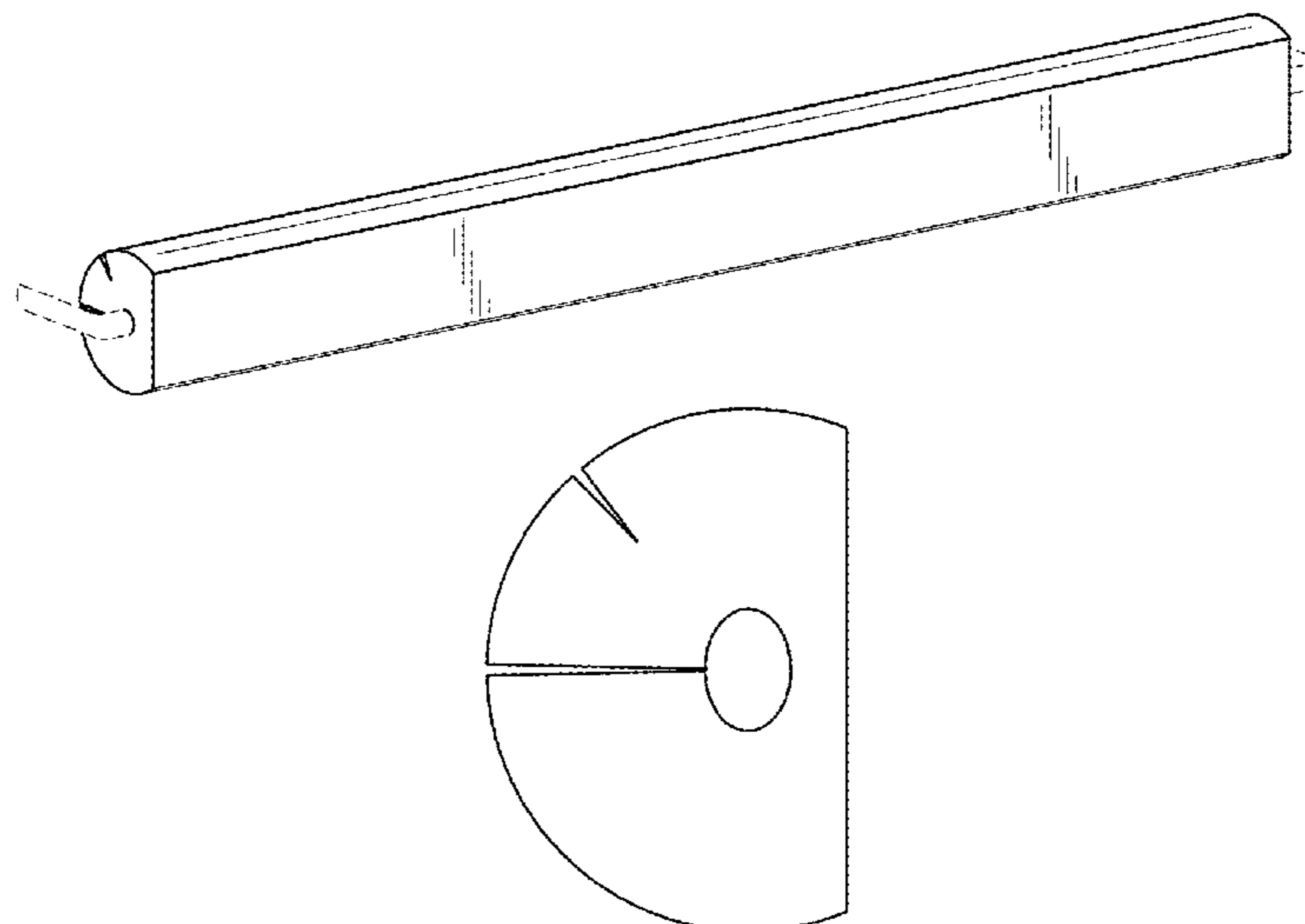
FIG. 1 is a magnified, partial front isometric section view of a drapery rod adapter cut along line 1-1 of FIG. 4, it being partially shown for ease of illustration; FIG. 2 is a reduced scale front isometric view thereof; FIG. 3 is an enlarged left side end elevation view thereof, where the right side end elevation view is a mirror image thereof; FIG. 4 is a reduced scale front elevation view thereof; FIG. 5 is a reduced scale top plan view thereof; FIG. 6 is a reduced scale rear elevation view thereof; and, FIG. 7 is a reduced scale bottom plan view thereof. The broken lines in the drawing views are included for purposes of illustrating environment and form no part of the claimed design.

(56) **References Cited**

**U.S. PATENT DOCUMENTS**

127,609 A 6/1872 Keene  
D22,078 S \* 12/1892 Hussey ..... D8/376  
D22,187 S \* 1/1893 Harsha ..... D8/376  
840,282 A 1/1907 Adamowicz  
2,109,517 A 3/1938 Xenis  
2,778,030 A 1/1957 Goche  
D224,786 S 9/1972 Shlesinger, Jr.  
D265,035 S \* 6/1982 Fether ..... D25/122

**1 Claim, 2 Drawing Sheets**



(56)

**References Cited**

U.S. PATENT DOCUMENTS

D759,886 S \* 6/2016 Seehof ..... D25/41.1  
D796,312 S \* 9/2017 Zappone ..... D25/119

\* cited by examiner

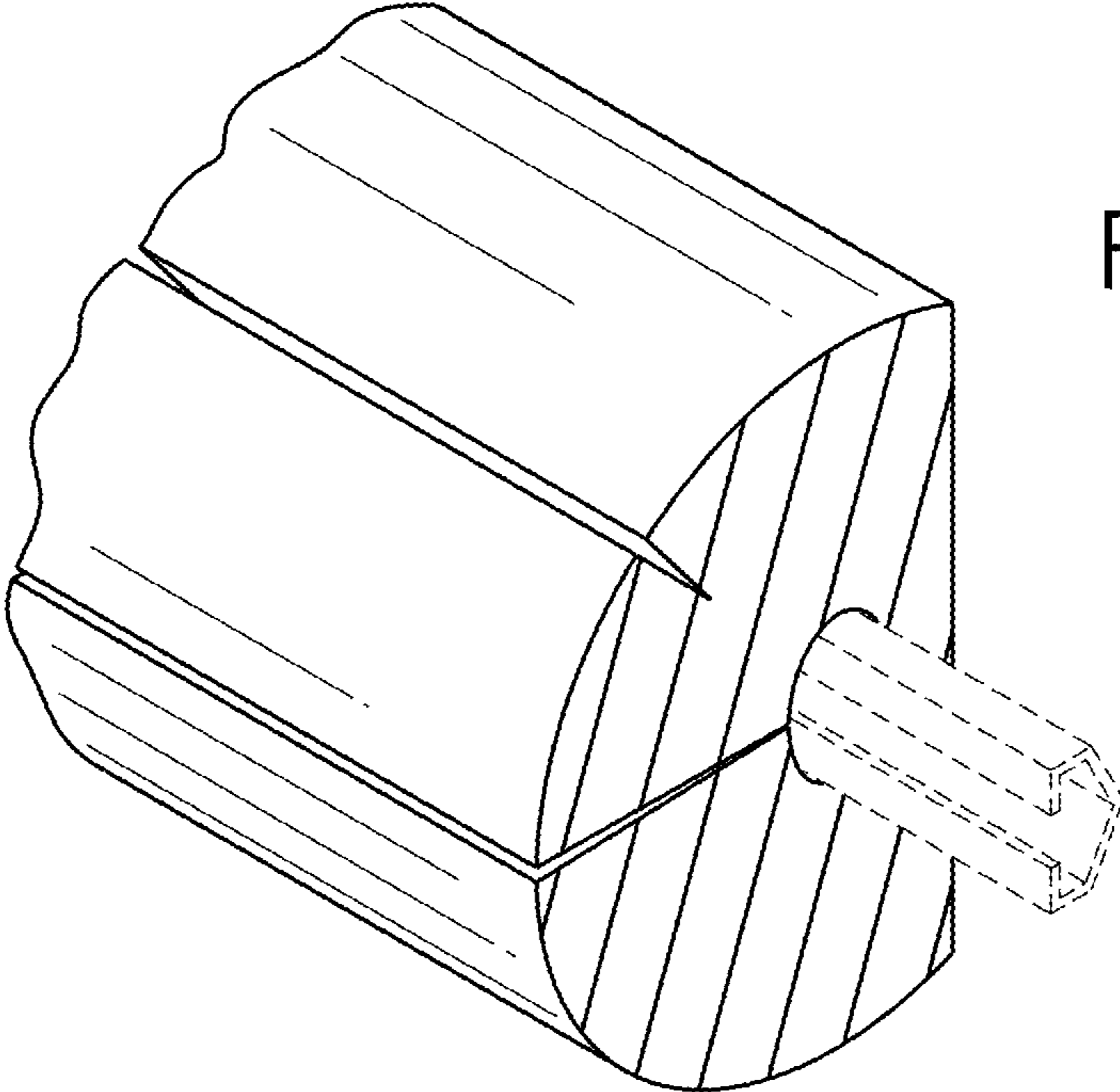


FIG. 1

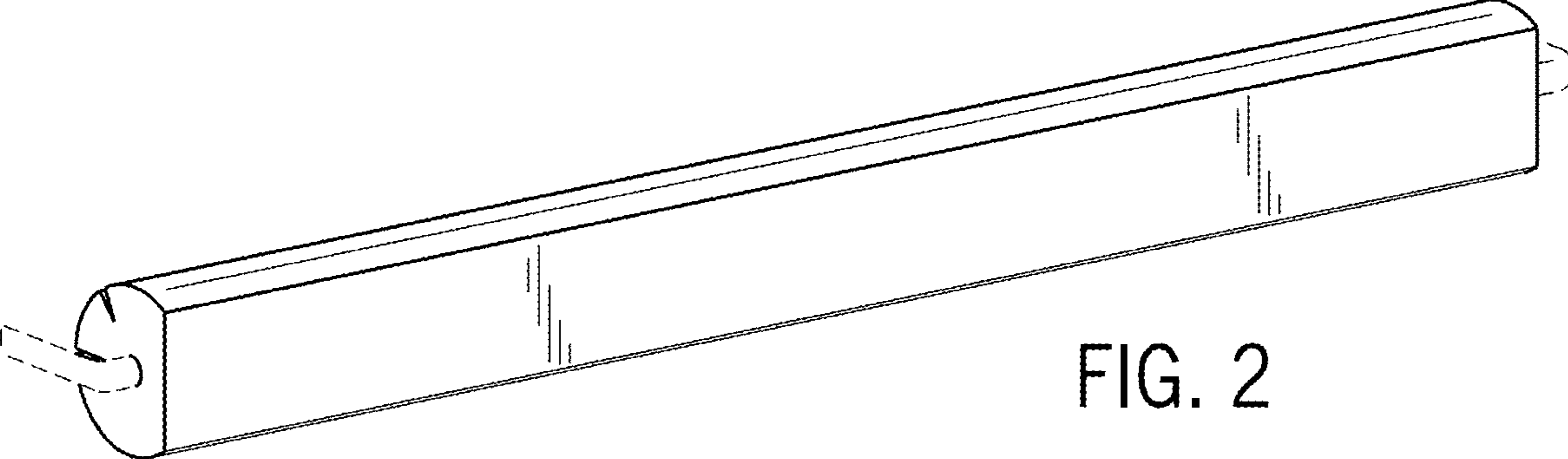


FIG. 2

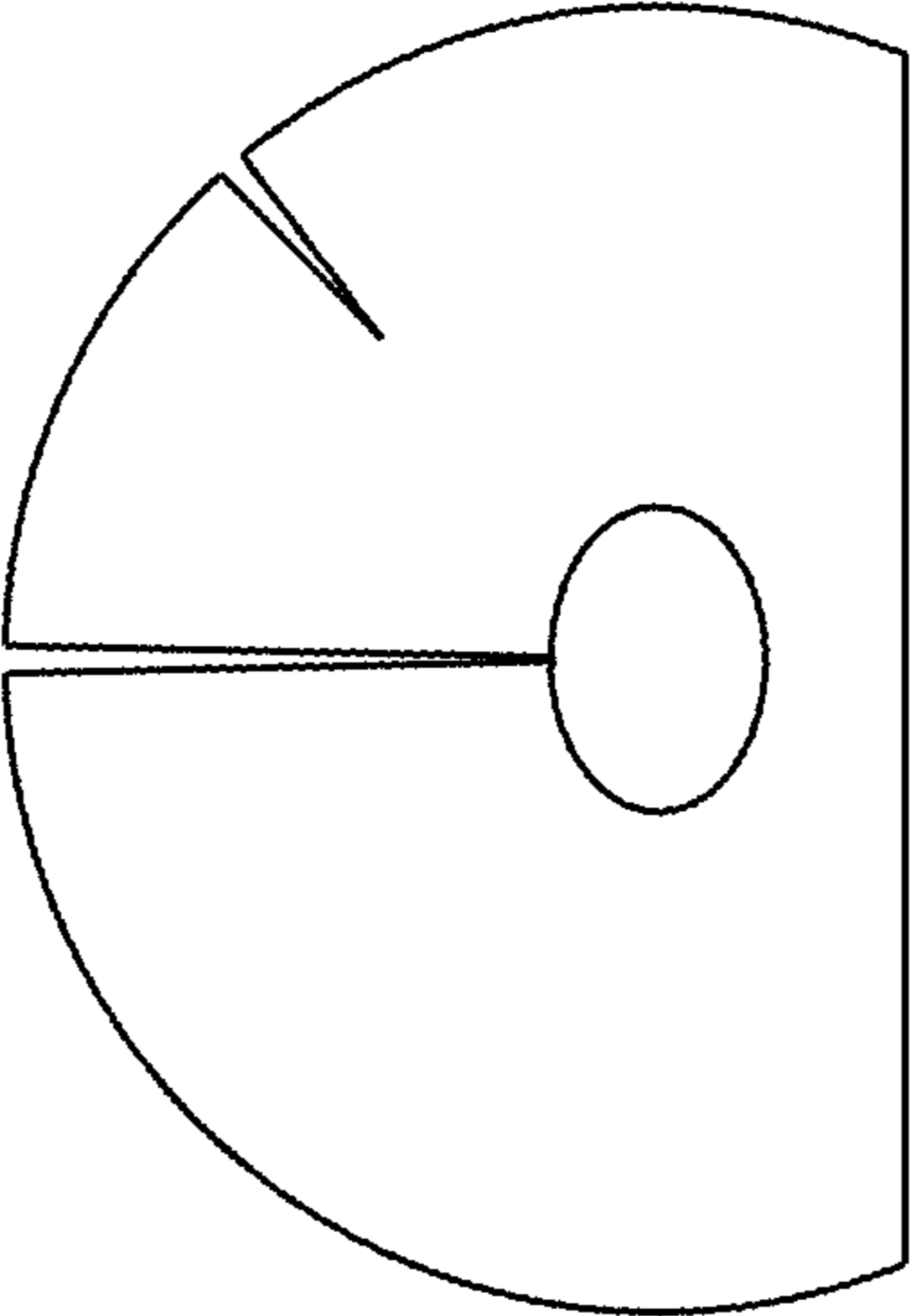
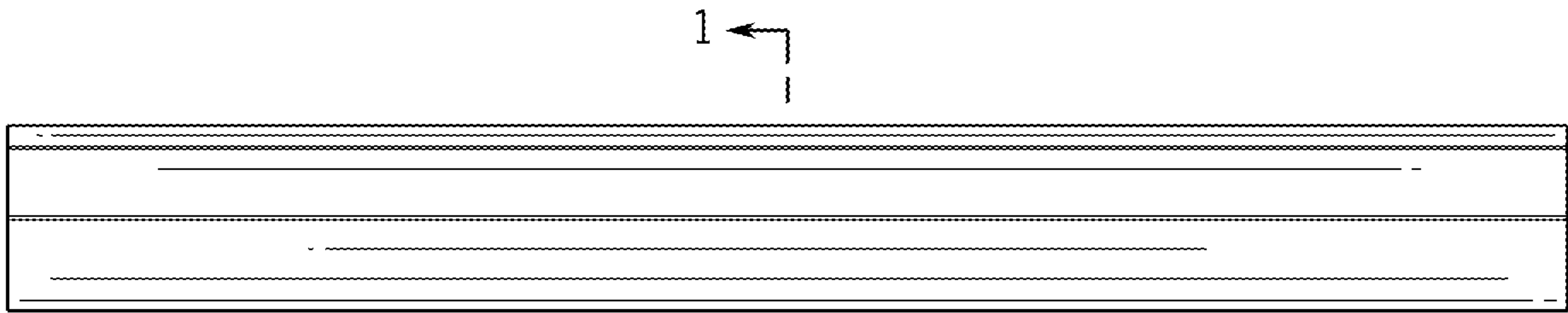


FIG. 3



1  
1  
FIG. 4

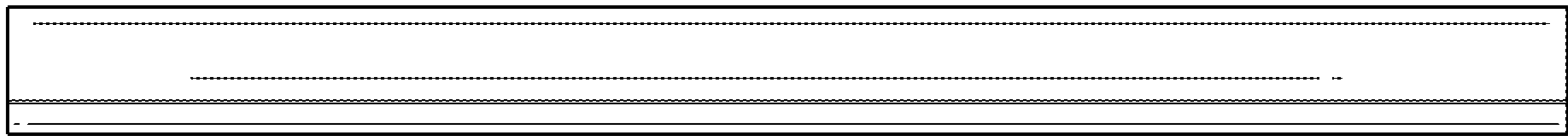


FIG. 5

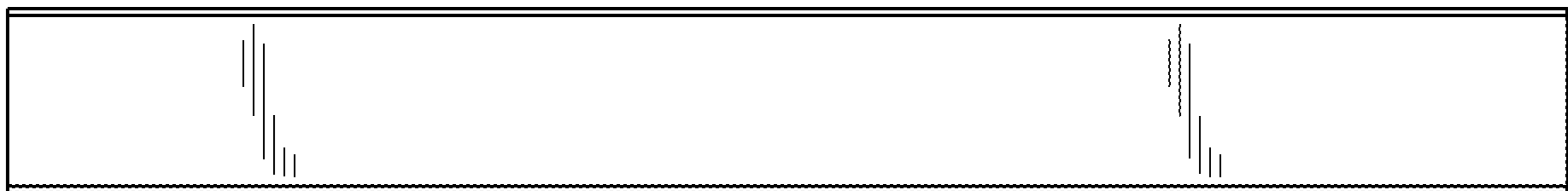


FIG. 6

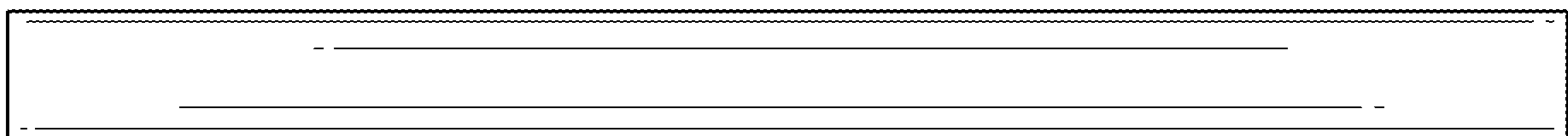


FIG. 7