



US00D885167S

(12) **United States Design Patent**
Lim

(10) **Patent No.:** **US D885,167 S**

(45) **Date of Patent:** **** May 26, 2020**

- (54) **RUBBER VIBRATION ISOLATOR**
- (71) Applicant: **GT C & T Corporation**, Gwangju-si (KR)
- (72) Inventor: **Chae-Hong Lim**, Gwangju-si (KR)
- (73) Assignee: **GT C & T Corporation**, Gwangju-si (KR)
- (**) Term: **15 Years**
- (21) Appl. No.: **29/583,492**
- (22) Filed: **Nov. 6, 2016**
- (51) **LOC (12) Cl.** **08-05**
- (52) **U.S. Cl.**
USPC **D8/354**
- (58) **Field of Classification Search**
USPC D8/354, 385, 400, 402, 349-352;
D2/915
CPC A43B 5/007; A43B 23/30; A43B 23/00;
A43B 21/00; A43B 3/166; A43B 21/52
See application file for complete search history.

- D633,660 S * 3/2011 Cooke D30/156
- D648,834 S * 11/2011 Gilbert 137/359
- D674,269 S * 1/2013 Siepel D8/354
- D871,029 S * 12/2019 Hwang D2/915
- 2005/0189008 A1* 9/2005 Bonin, Jr. A61H 3/02
135/68
- 2014/0033579 A1* 2/2014 Greener A43B 23/00
36/72 B

* cited by examiner

Primary Examiner — Keli L Hill

Assistant Examiner — Harold E Blackwell, II

(74) *Attorney, Agent, or Firm* — Mark M. Friedman

(57) **CLAIM**

I hereby claim the ornamental design of a rubber vibration isolator, as shown and described.

DESCRIPTION

FIG. 1 is a perspective view of a rubber vibration isolator showing my design;
FIG. 2 is a front view thereof;
FIG. 3 is a rear view thereof;
FIG. 4 is a left side view thereof;
FIG. 5 is a right side view thereof;
FIG. 6 is a top view thereof; and,
FIG. 7 is a bottom view thereof.

The broken lines in the drawings illustrate portions of a rubber vibration isolator which form no part of the claimed design.

1 Claim, 7 Drawing Sheets

- (56) **References Cited**
U.S. PATENT DOCUMENTS
963,053 A * 7/1910 Lockwood G05G 1/12
16/441
D553,477 S * 10/2007 Kuzukawa D8/354
D563,205 S * 3/2008 Kuzukawa D8/354

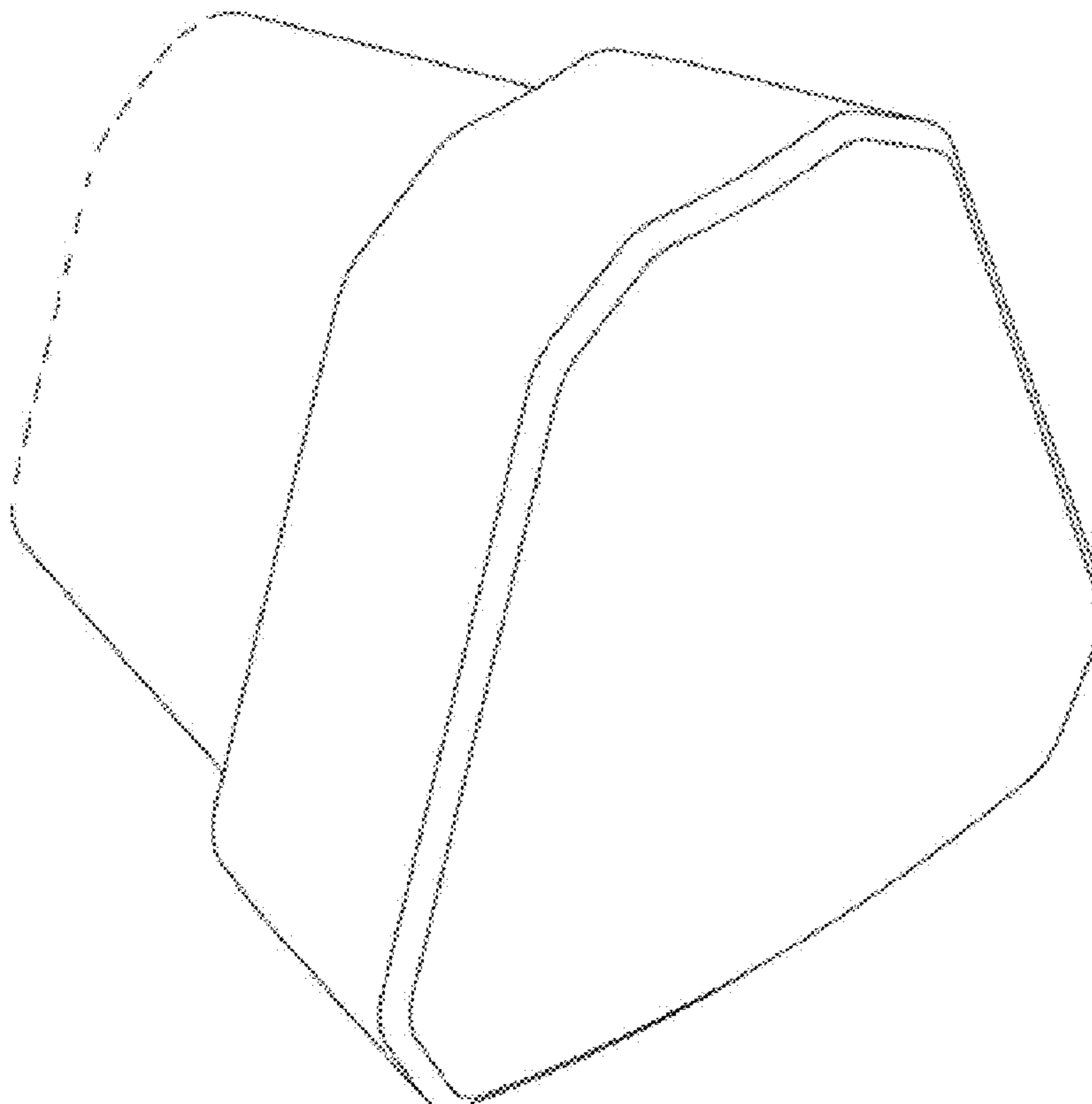


FIG. 1

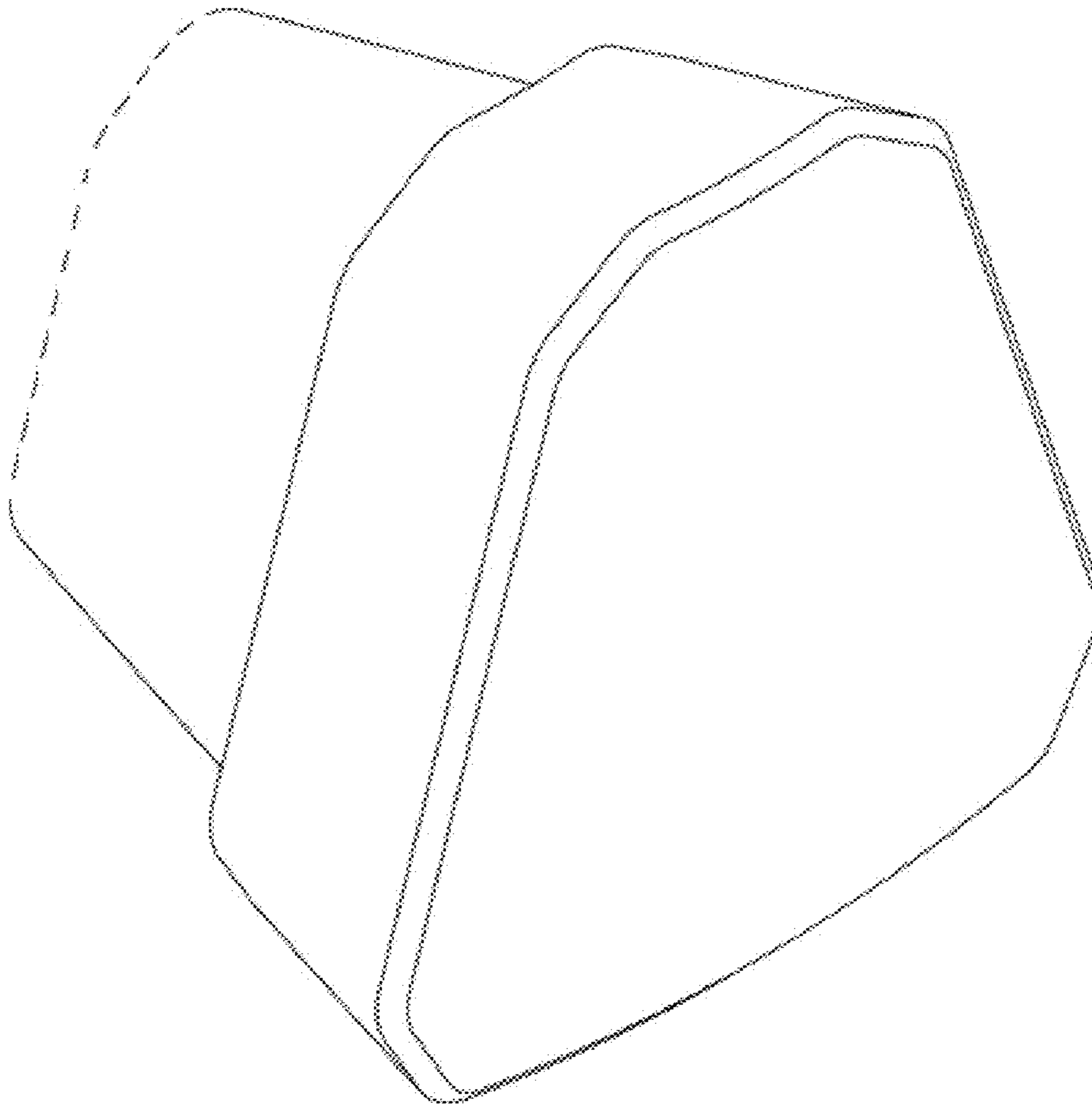


FIG. 2

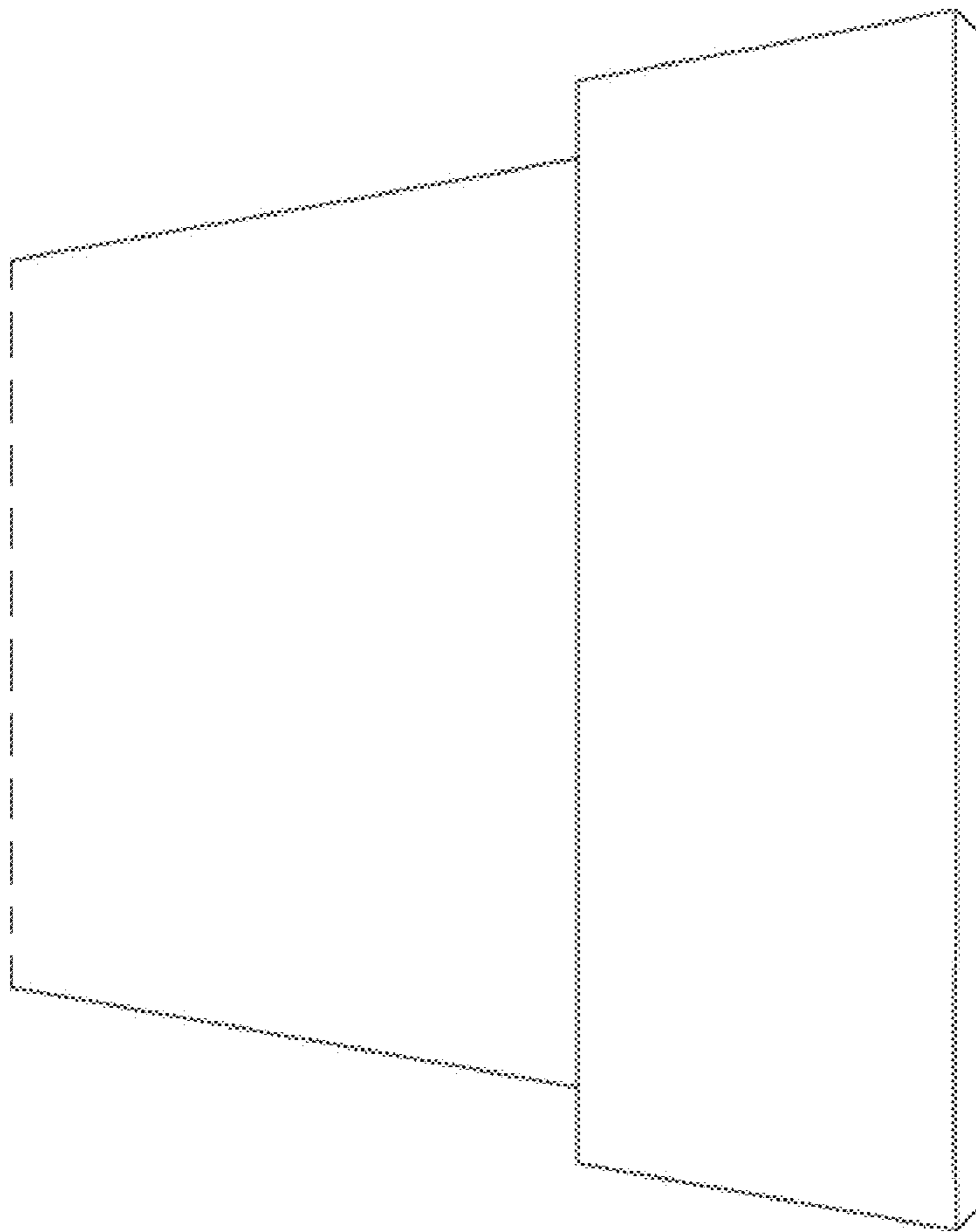


FIG. 3

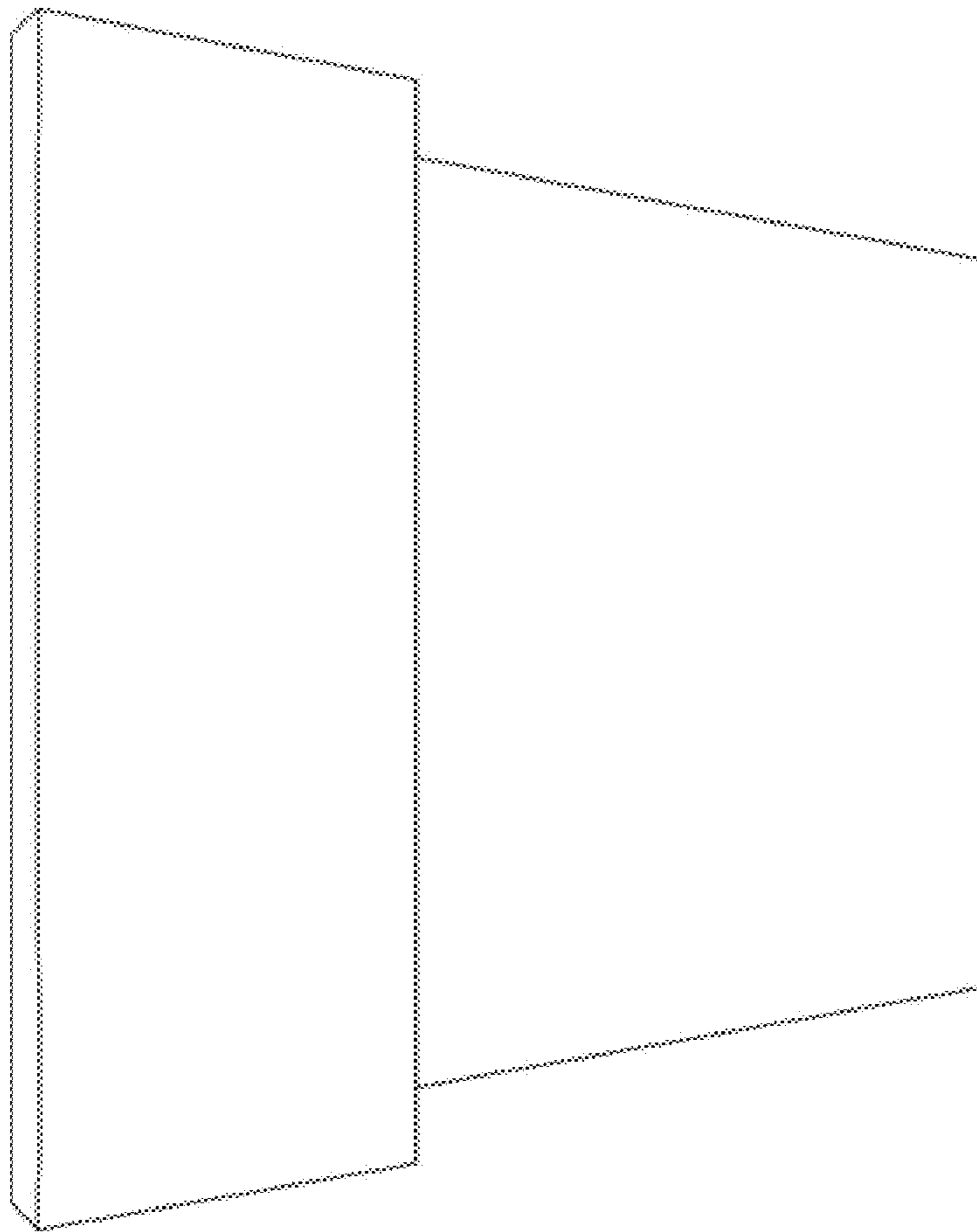


FIG. 4

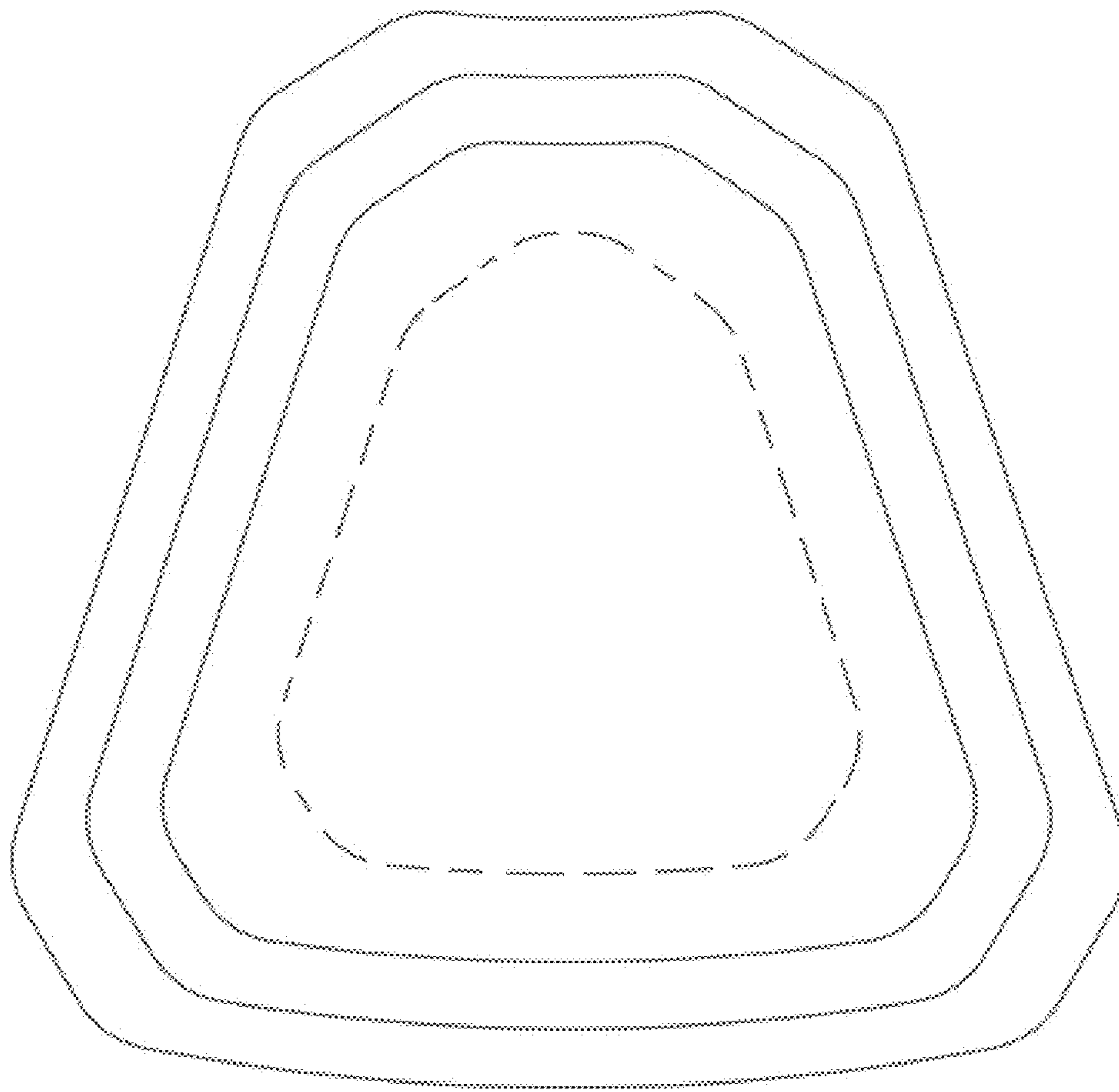


FIG. 5

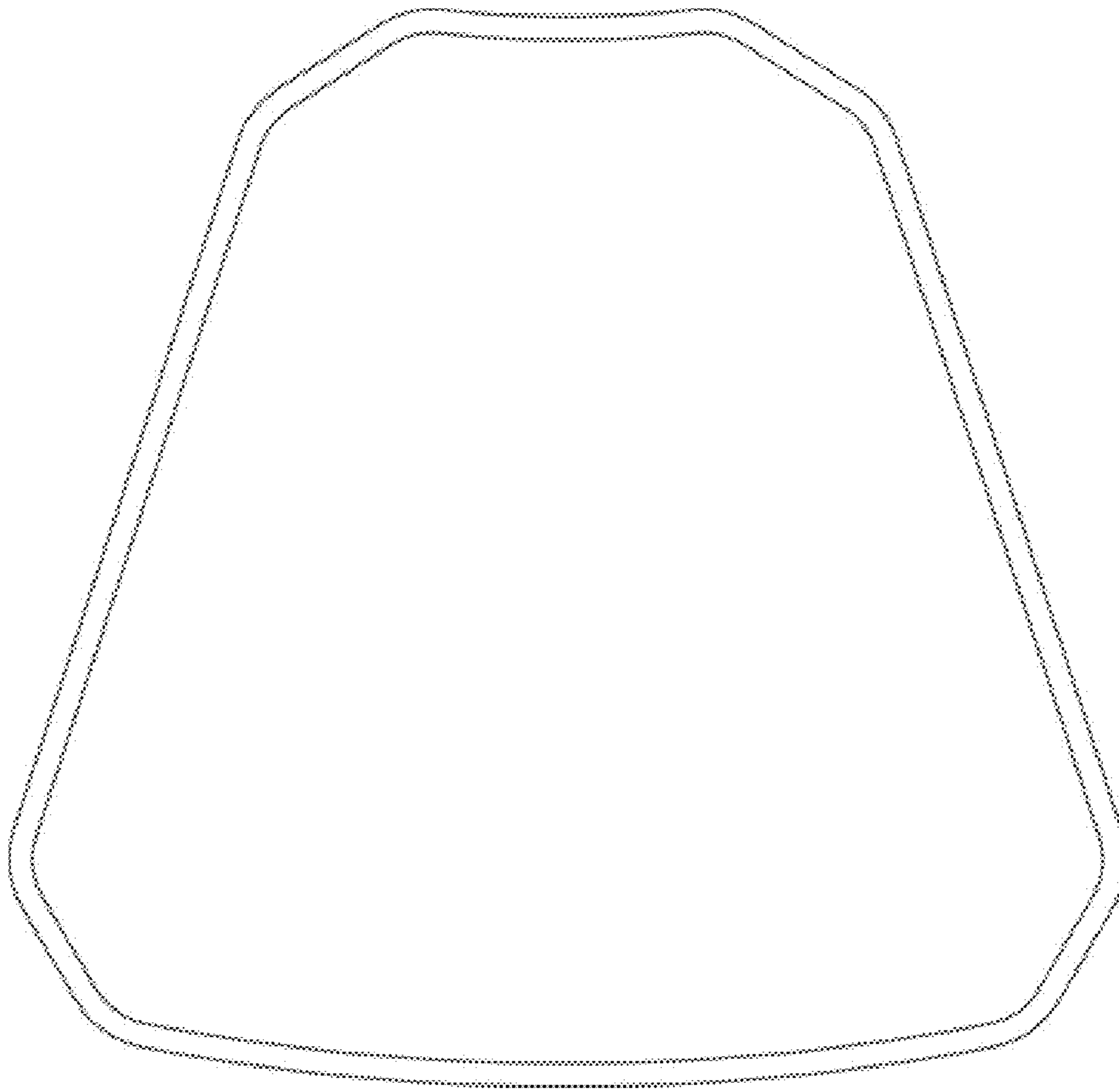


FIG. 6

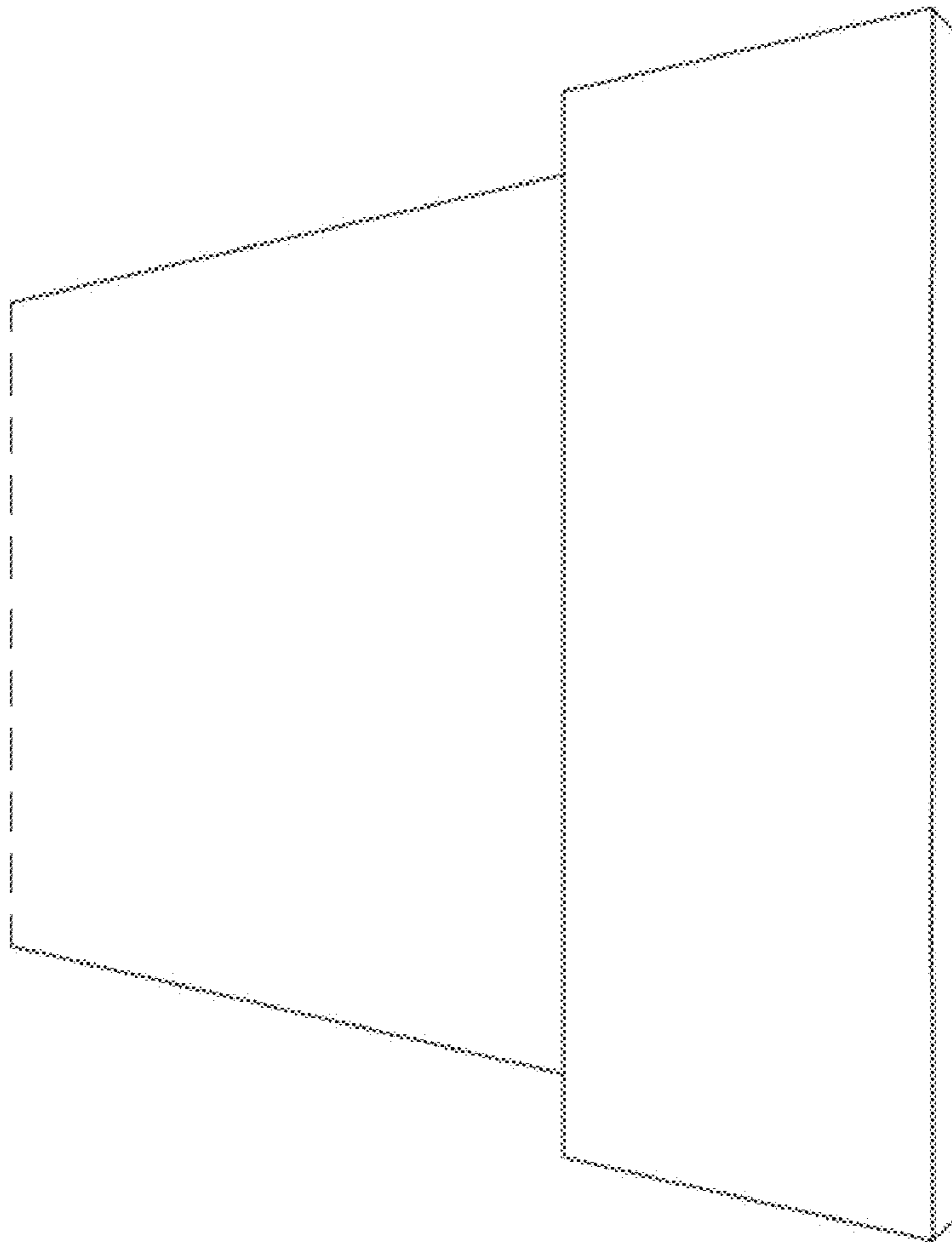


FIG. 7

