



US00D885166S

(12) **United States Design Patent**
Kirbaw

(10) **Patent No.:** **US D885,166 S**

(45) **Date of Patent:** **** May 26, 2020**

(54) **SWITCH MOUNTING CUTOUT**

(71) Applicant: **Delta Systems, Inc.**, Streetsboro, OH (US)

(72) Inventor: **Isaac Kirbaw**, Tallmadge, OH (US)

(73) Assignee: **Delta Systems, Inc.**, Streetsboro, OH (US)

(**) Term: **15 Years**

(21) Appl. No.: **29/650,735**

(22) Filed: **Jun. 8, 2018**

(51) **LOC (12) Cl.** **11-05**

(52) **U.S. Cl.**
USPC **D8/350; D8/353**

(58) **Field of Classification Search**
USPC D8/349, 350, 353, 356; D13/131, 153, D13/173, 177, 199
CPC H02G 3/083; H02G 3/085; H02G 3/185; H02G 3/14; H02G 3/22
See application file for complete search history.

(56) **References Cited**

U.S. PATENT DOCUMENTS

5,041,698	A *	8/1991	Takagi	H02G 3/14
					174/66
5,449,860	A *	9/1995	Buckshaw	H02G 3/14
					174/67
D558,155	S	12/2007	Michaud et al.		
7,683,257	B1 *	3/2010	Shotey	H02G 3/14
					174/53
8,294,028	B2 *	10/2012	Huang	H02G 3/14
					174/66
8,420,956	B2 *	4/2013	Alderson	H02G 3/12
					174/480
D813,647	S *	3/2018	Burmeister-Brown	D8/353
D862,201	S *	10/2019	Baldwin	D8/350

2005/0257951	A1 *	11/2005	Xu	H02G 3/14
					174/66
2006/0005989	A1 *	1/2006	Swiencicki	H02G 3/14
					174/66
2012/0268901	A1 *	10/2012	Jeschko	H01H 23/06
					361/747
2018/0332740	A1 *	11/2018	Tarbell	H02G 3/00

* cited by examiner

Primary Examiner — Selina Sikder

(74) *Attorney, Agent, or Firm* — Tarolli, Sundheim, Covell & Tummino LLP; John A. Yirga, Esq.

(57) **CLAIM**

The ornamental design for a switch mounting cutout, as shown and described.

DESCRIPTION

FIG. 1 is a front-top perspective view of the switch mounting cutout in accordance with a first embodiment of my ornamental design;

FIG. 2 is a rear-top perspective view thereof;

FIG. 3 is a rear-bottom perspective view thereof;

FIG. 4 is a front-bottom perspective view thereof;

FIG. 5 is a top-plan view thereof;

FIG. 6 is a bottom-plan view thereof;

FIG. 7 is a left-side elevation view thereof;

FIG. 8 is a right-side elevation view thereof;

FIG. 9 is a front-elevation view thereof;

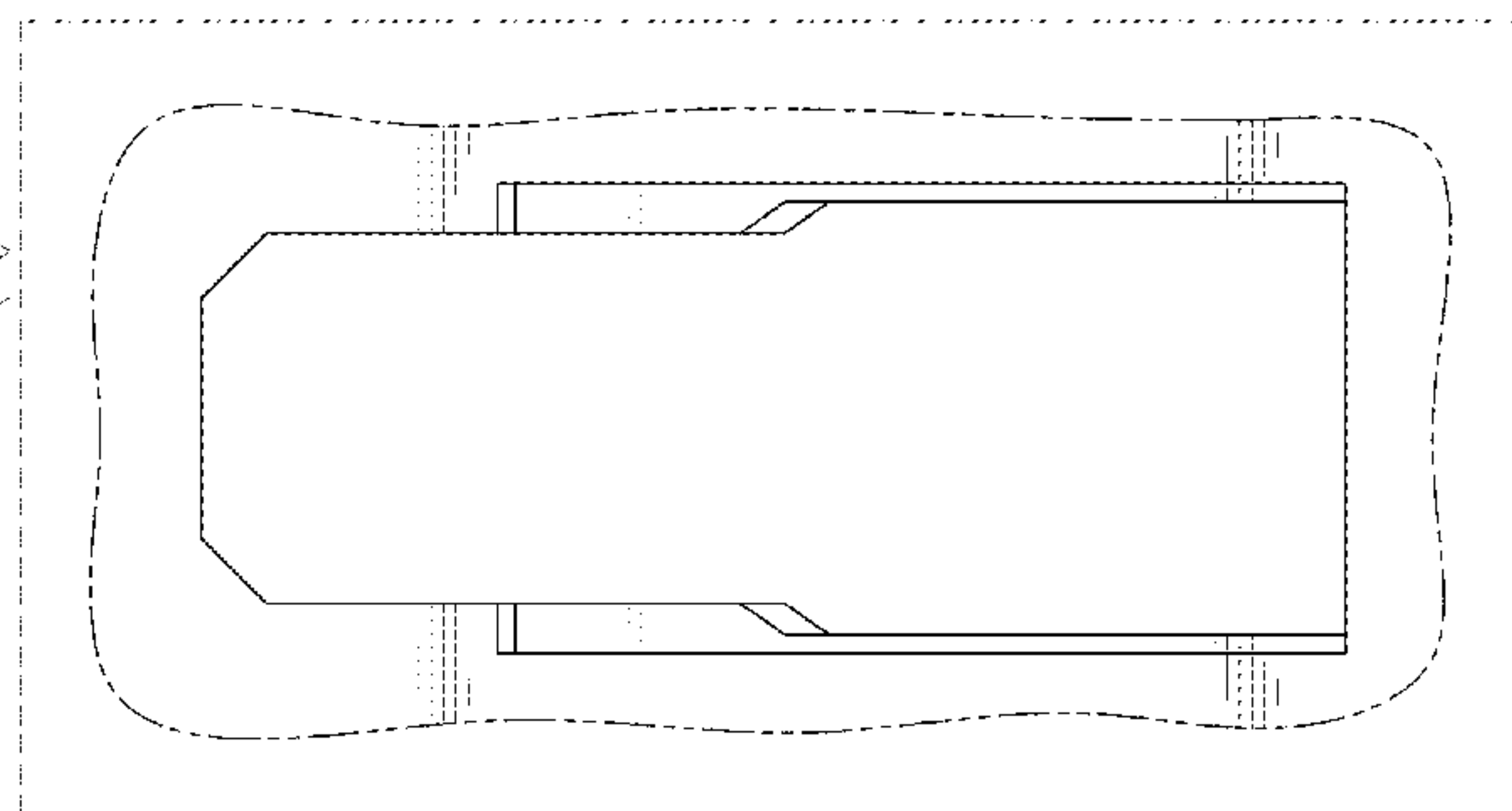
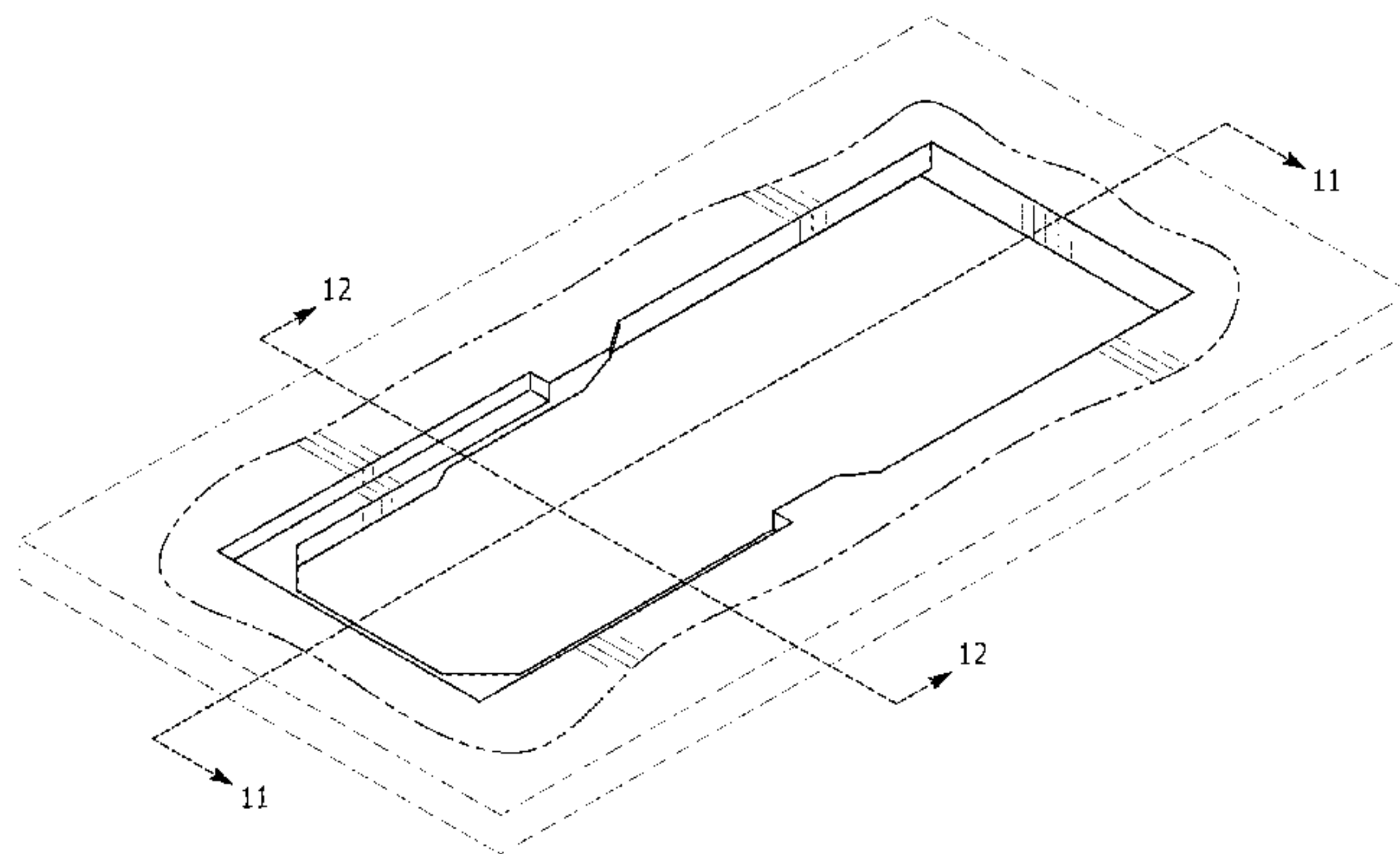
FIG. 10 is a rear-elevation view thereof;

FIG. 11 is a section view of FIG. 1 along section lines 11-11; and,

FIG. 12 is a section view of FIG. 1 along section lines 12-12.

Those portions of the figures illustrated as dashed broken lines form no part of the claimed design. Those portions of the figures illustrated as dashed-dot-dot lines are boundary lines and form no part of the claimed design.

1 Claim, 9 Drawing Sheets



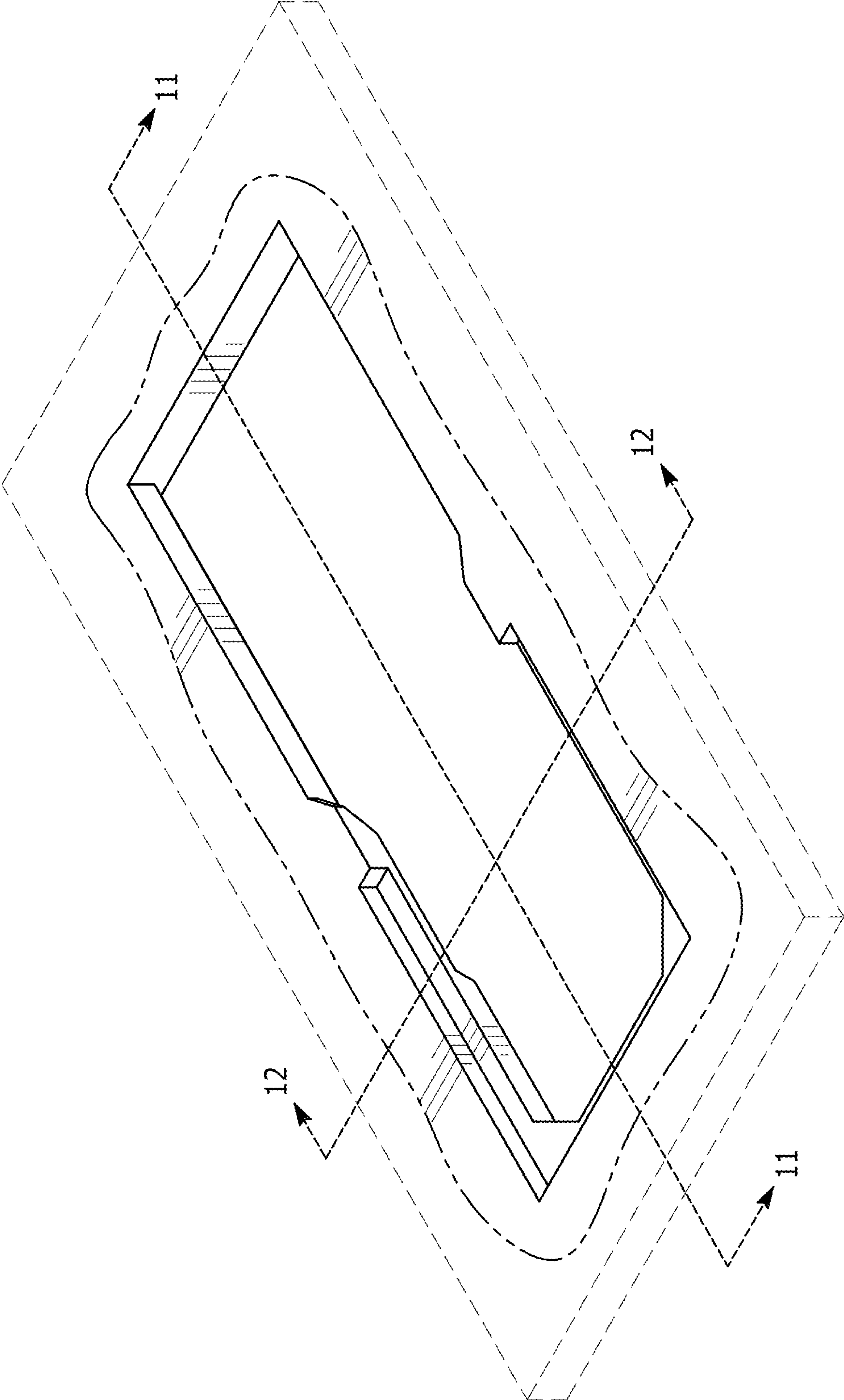


FIG. 1

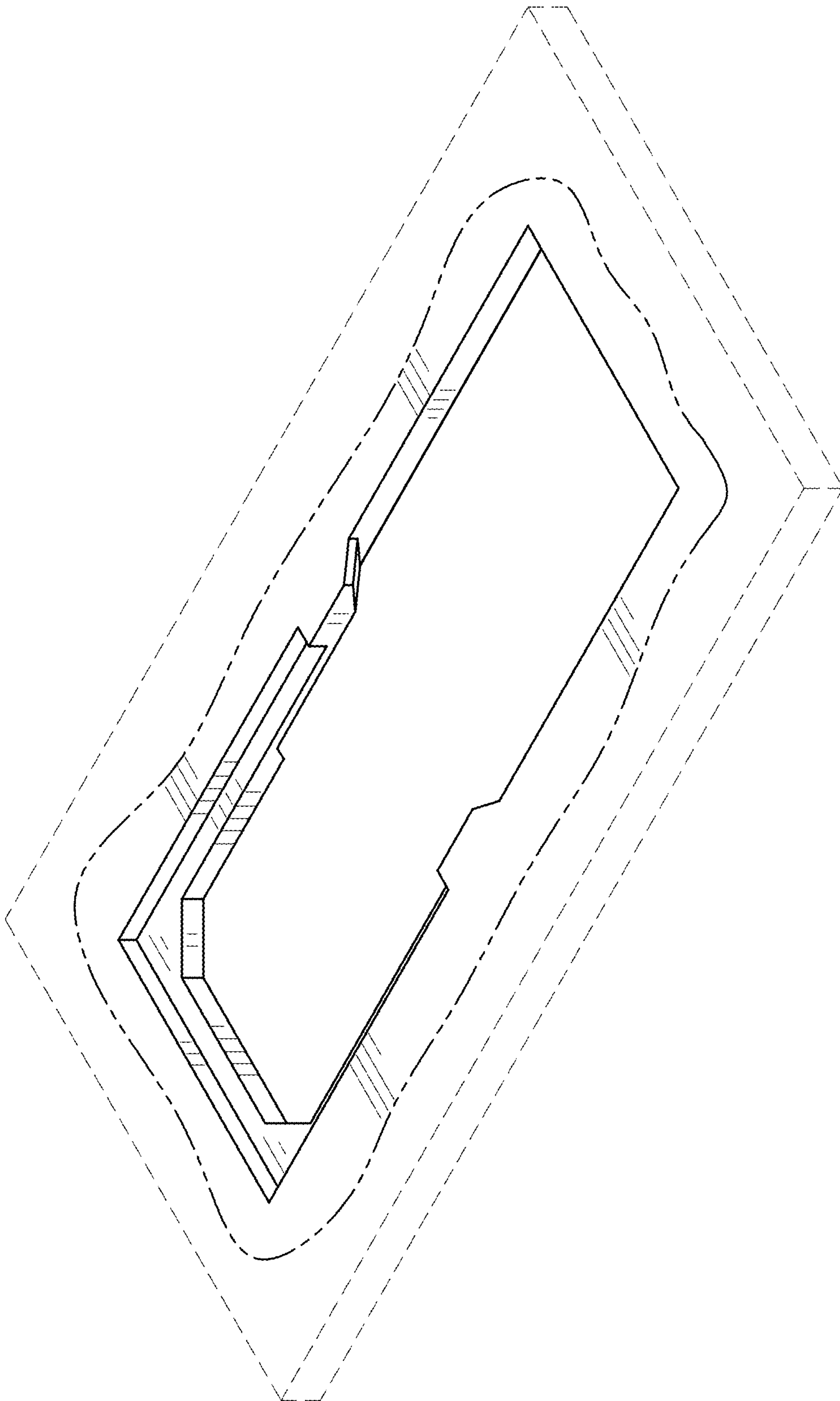


FIG. 2

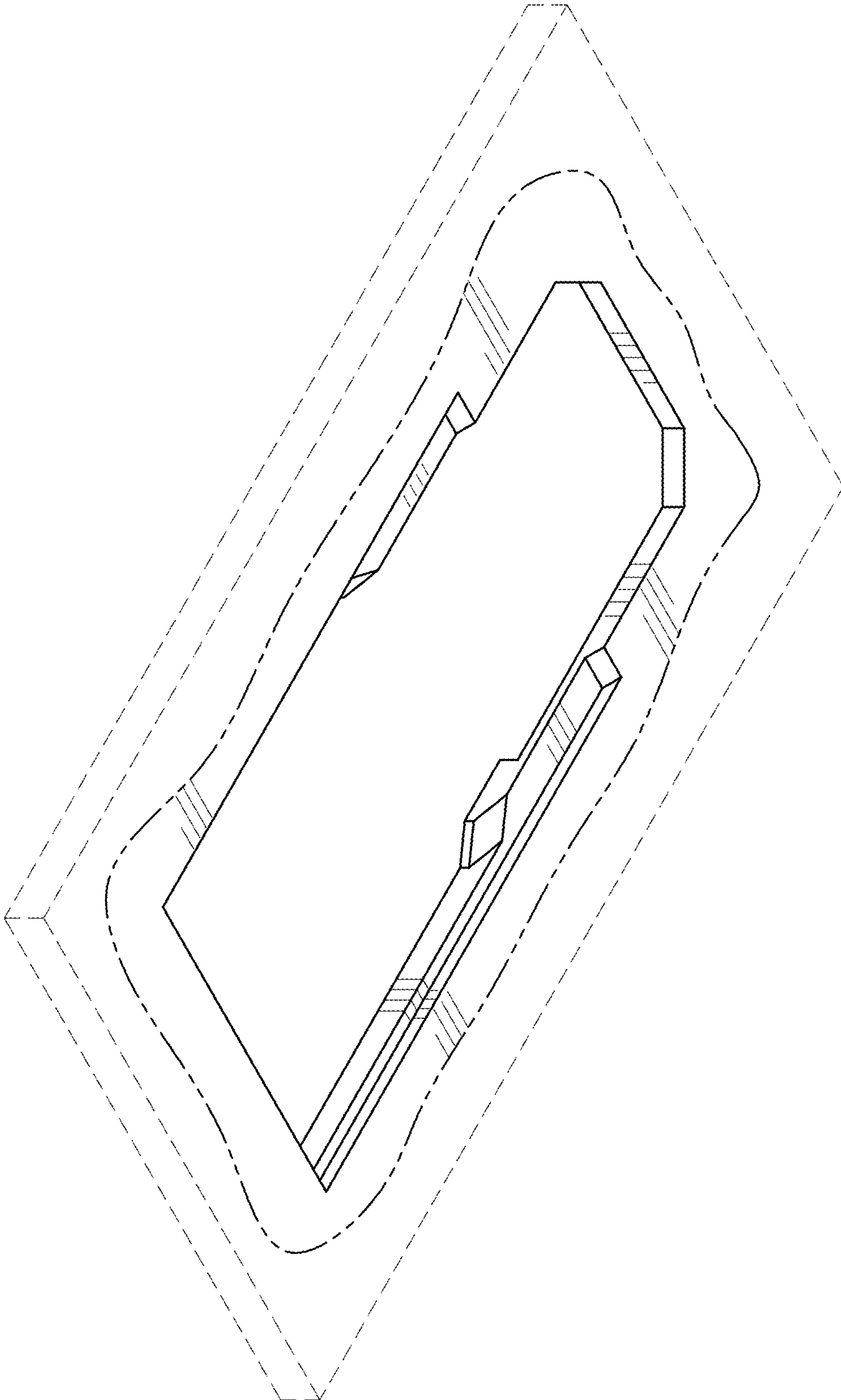


FIG. 3

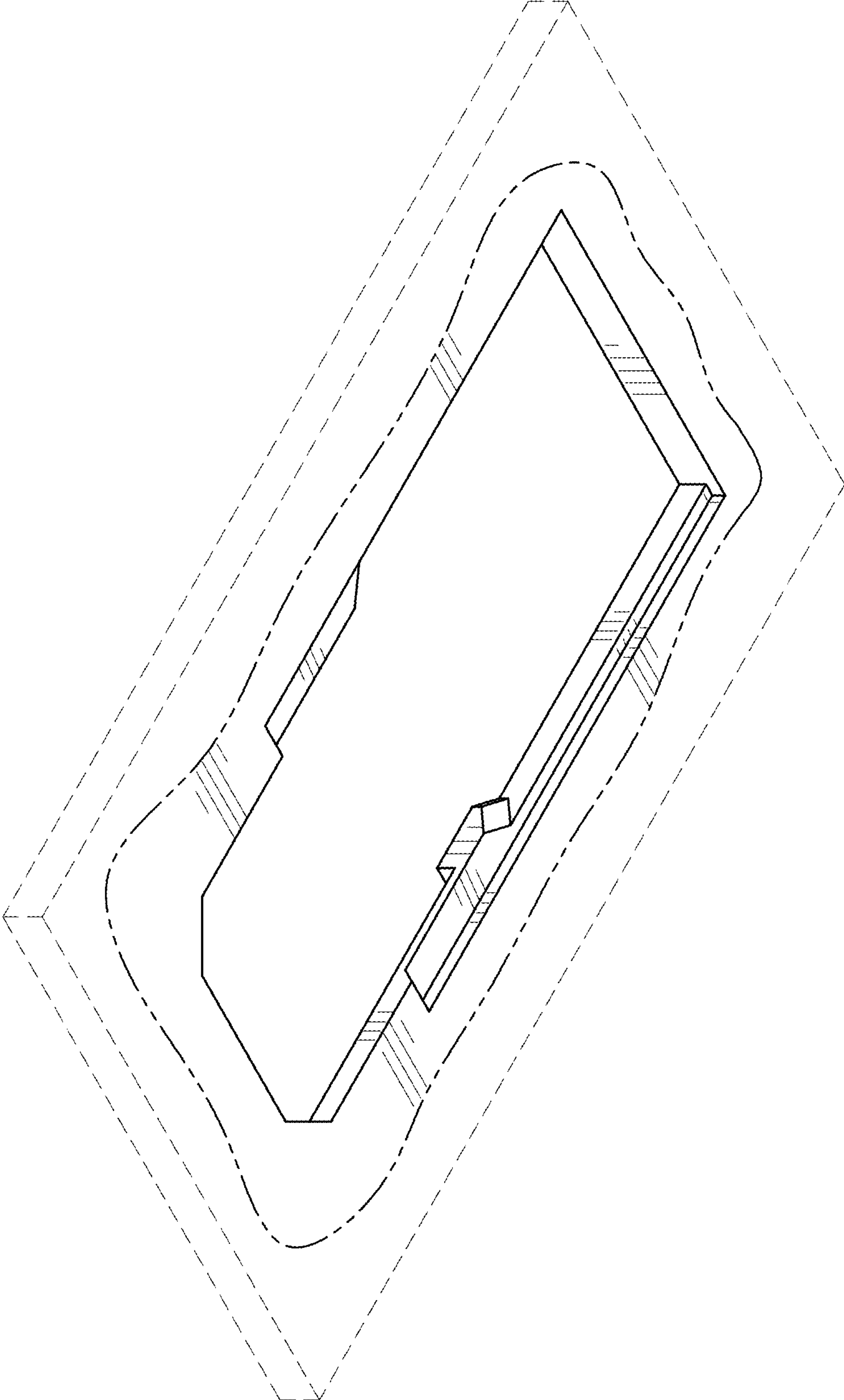


FIG. 4

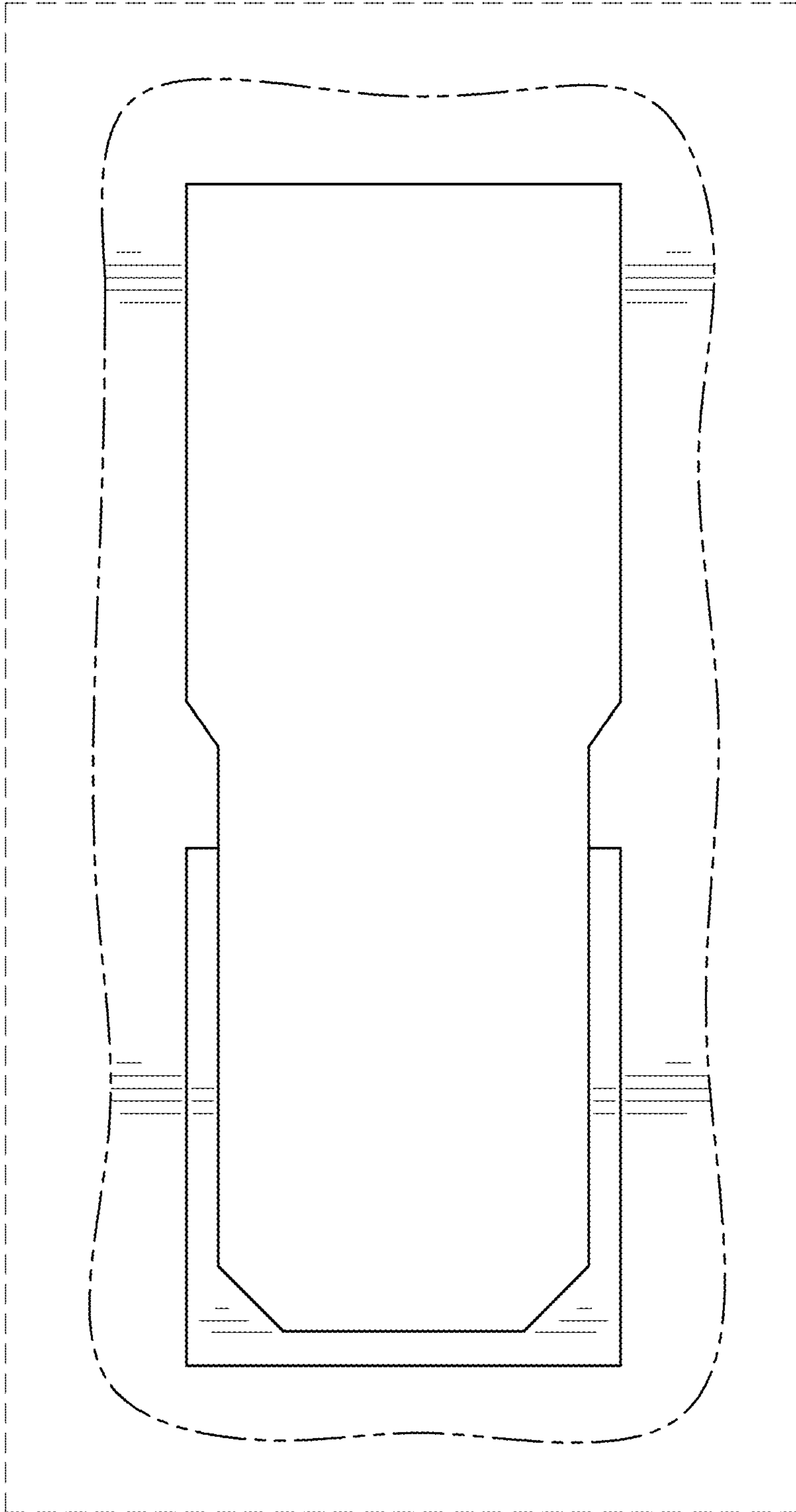


FIG. 5

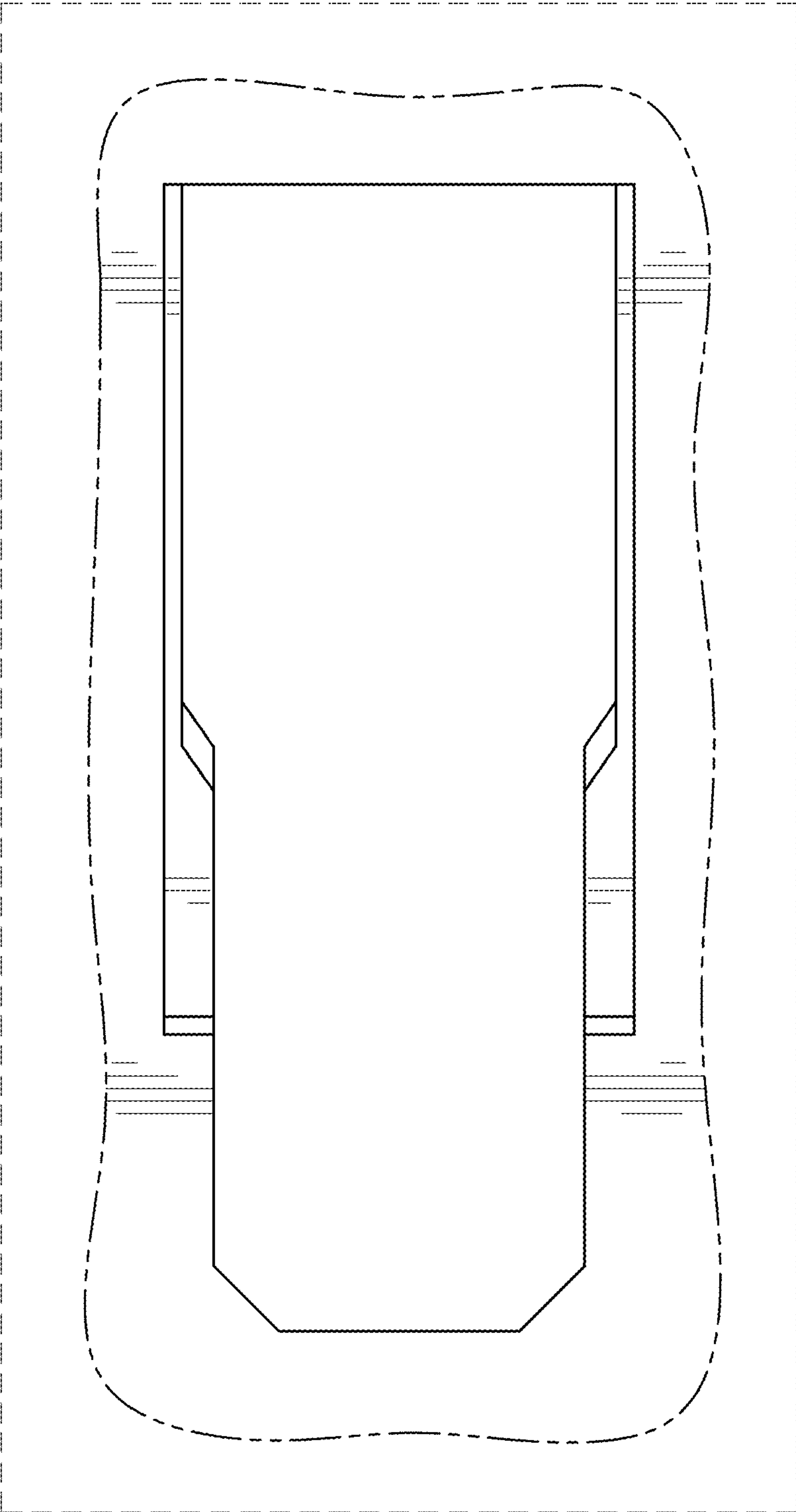


FIG. 6



FIG. 7

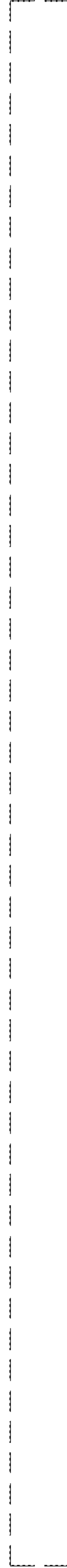


FIG. 8

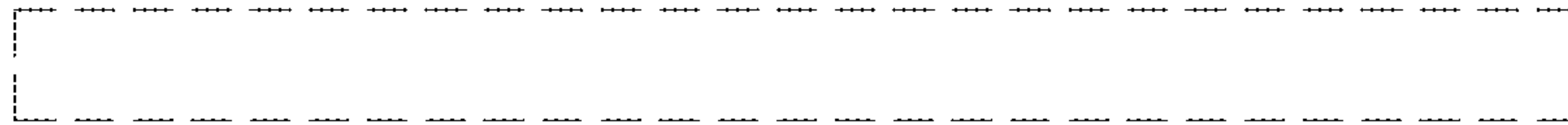


FIG. 9



FIG. 10

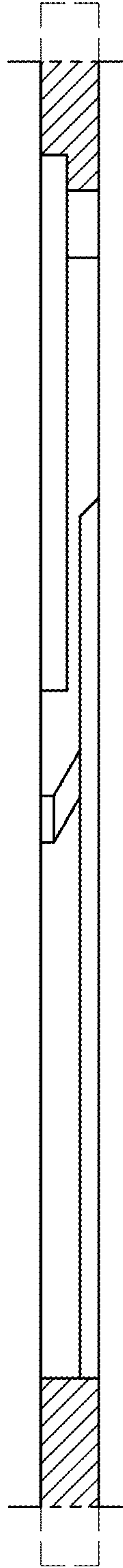


FIG. 11

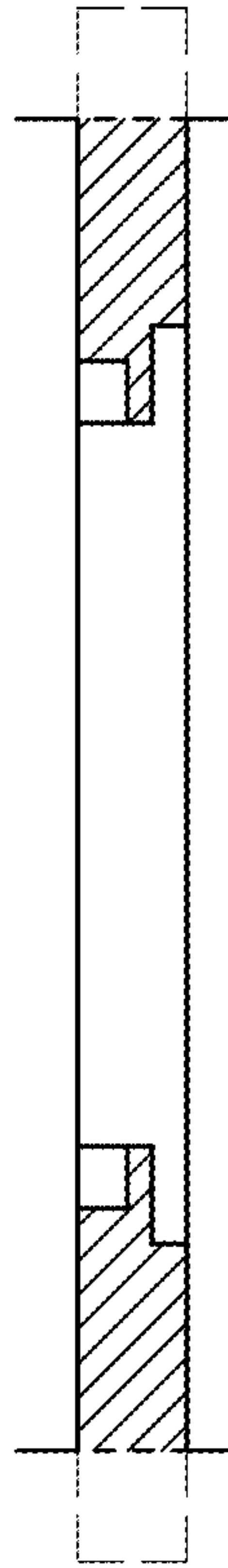


FIG. 12