



US00D885165S

(12) **United States Design Patent** (10) **Patent No.:** **US D885,165 S**
Frydenger (45) **Date of Patent:** **** May 26, 2020**

(54) **SUCTION CUP**
(71) Applicant: **Luke Frydenger**, Boulder, CO (US)
(72) Inventor: **Luke Frydenger**, Boulder, CO (US)
(73) Assignee: **AYLO LLC**, Boulder, CO (US)
(**) Term: **15 Years**

2017/0054885 A1 2/2017 Rolston
2017/0118385 A1 4/2017 Vargas et al.
2018/0268747 A1 9/2018 Braun

FOREIGN PATENT DOCUMENTS

JP 2016-177963 A 10/2016
WO WO2017162504 A1 9/2017

OTHER PUBLICATIONS

International Search Report and Written Opinion dated Jan. 14, 2020 issued in related PCT App. No. PCT/US19/56391 (14 pages).
International Search Report and Written Opinion dated Jan. 10, 2020 issued in related PCT App. No. PCT/US19/56392 (17 pages).
“New Popsocket Cell Phone Accessorie for iPhone, Samsung, Android” (Pop Mount) Jul. 5, 2018 (Jul. 5, 2018) [online] retrieved from (URL:https://www.youtube.com/watch?v=oLv-osdCnY) entire document.

* cited by examiner

Primary Examiner — Randall H Gholson
(74) *Attorney, Agent, or Firm* — Haynes and Boone, LLP

(21) Appl. No.: **29/666,676**
(22) Filed: **Oct. 15, 2018**
(51) **LOC (12) Cl.** **08-05**
(52) **U.S. Cl.**
USPC **D8/349**
(58) **Field of Classification Search**
USPC D8/60, 61, 77, 82, 342, 349, 354, 355,
D8/356, 367, 382, 396, 499
CPC F16B 47/00; F16B 47/003; F16B 47/006;
A47G 1/16; A47G 1/17; A45D 42/14
See application file for complete search history.

(57) **CLAIM**

The ornamental design for the suction cup, as shown and described.

(56) **References Cited**

U.S. PATENT DOCUMENTS

2,846,809 A * 8/1958 Majewski A63H 33/103
446/92
5,104,077 A * 4/1992 Liu F16B 47/00
248/205.8
6,749,160 B1 6/2004 Richter
D617,627 S * 6/2010 Tawil D8/349
D738,434 S * 9/2015 Baumann D21/398
D820,992 S * 6/2018 King D24/200
2007/0120027 A1 5/2007 Chang
2009/0308993 A1 12/2009 Chang
2011/0163211 A1 7/2011 Cicco
2012/0292466 A1 11/2012 Song
2016/0255941 A1 9/2016 Yang et al.

DESCRIPTION

FIG. 1 shows a front perspective view of a suction cup;
FIG. 2 shows a rear perspective view of a suction cup;
FIG. 3 shows a front view of the suction cup of FIG. 1;
FIG. 4 shows a rear view of the suction cup of FIG. 1;
FIG. 5 shows top view of the suction cup of FIG. 1;
FIG. 6 shows bottom view of the suction cup of FIG. 1;
FIG. 7 shows the right side of the suction cup of FIG. 1; and,
FIG. 8 shows the left side of the suction cup of FIG. 1.

1 Claim, 3 Drawing Sheets

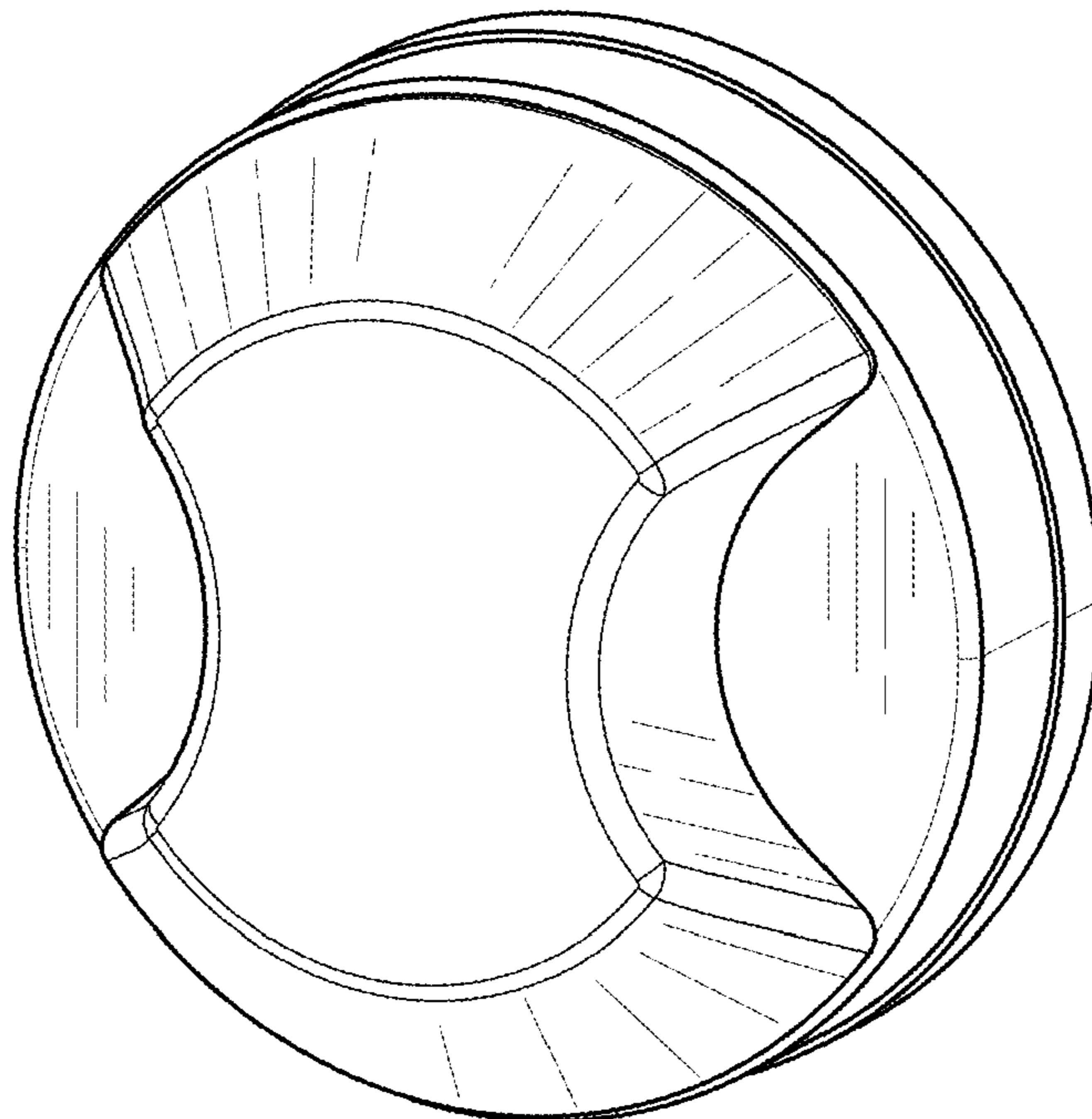


FIG. 1

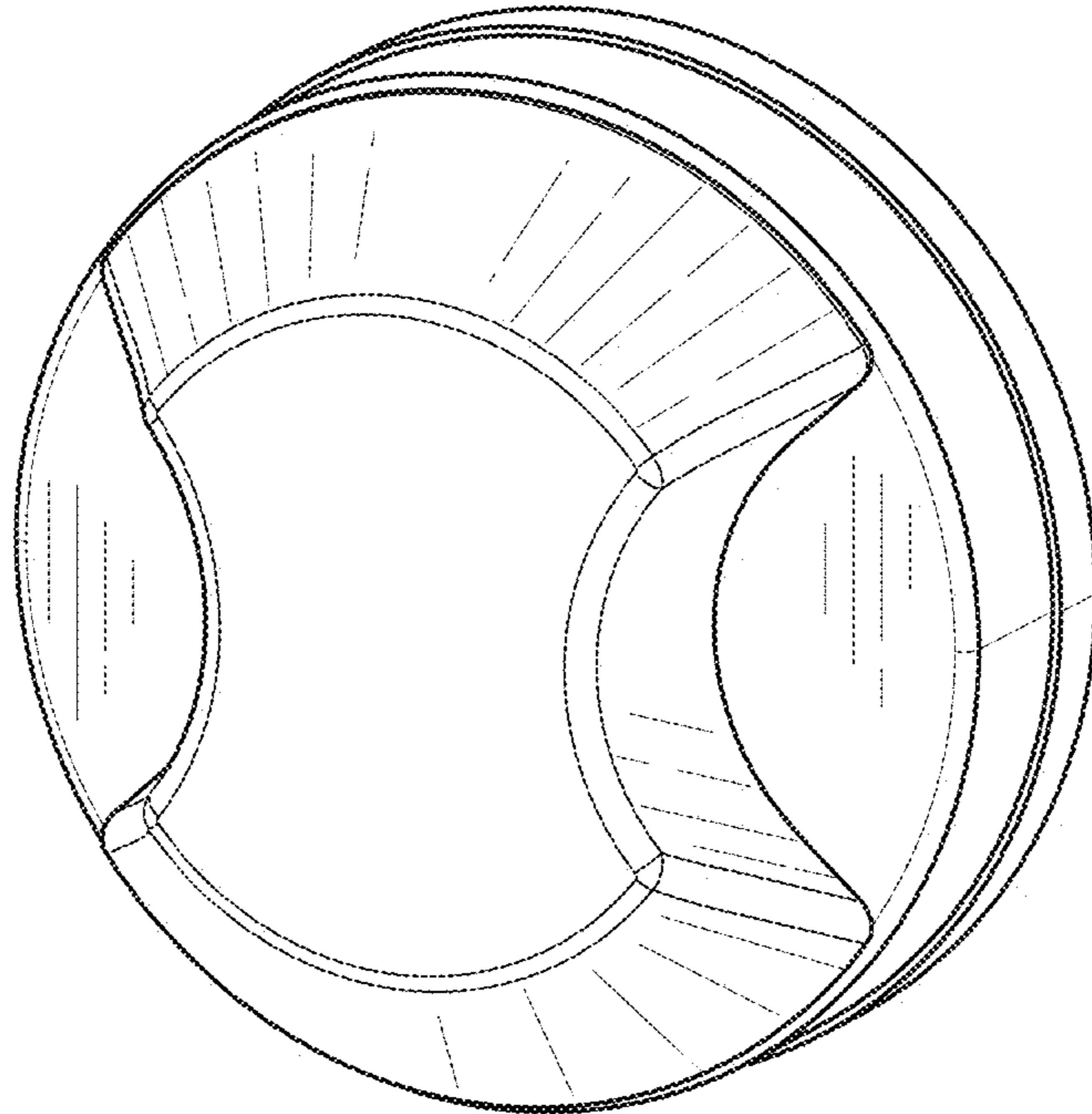


FIG. 2

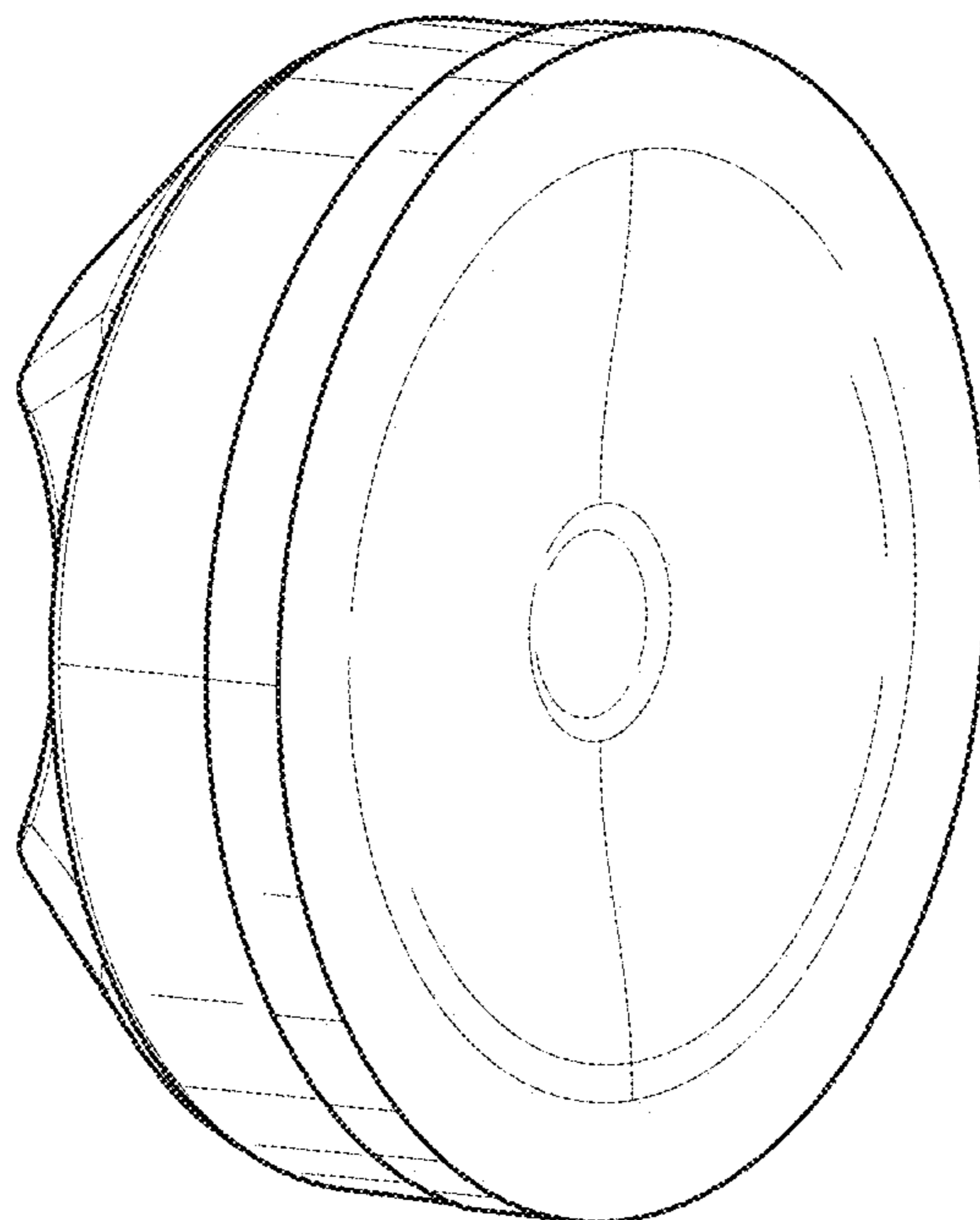


FIG. 3

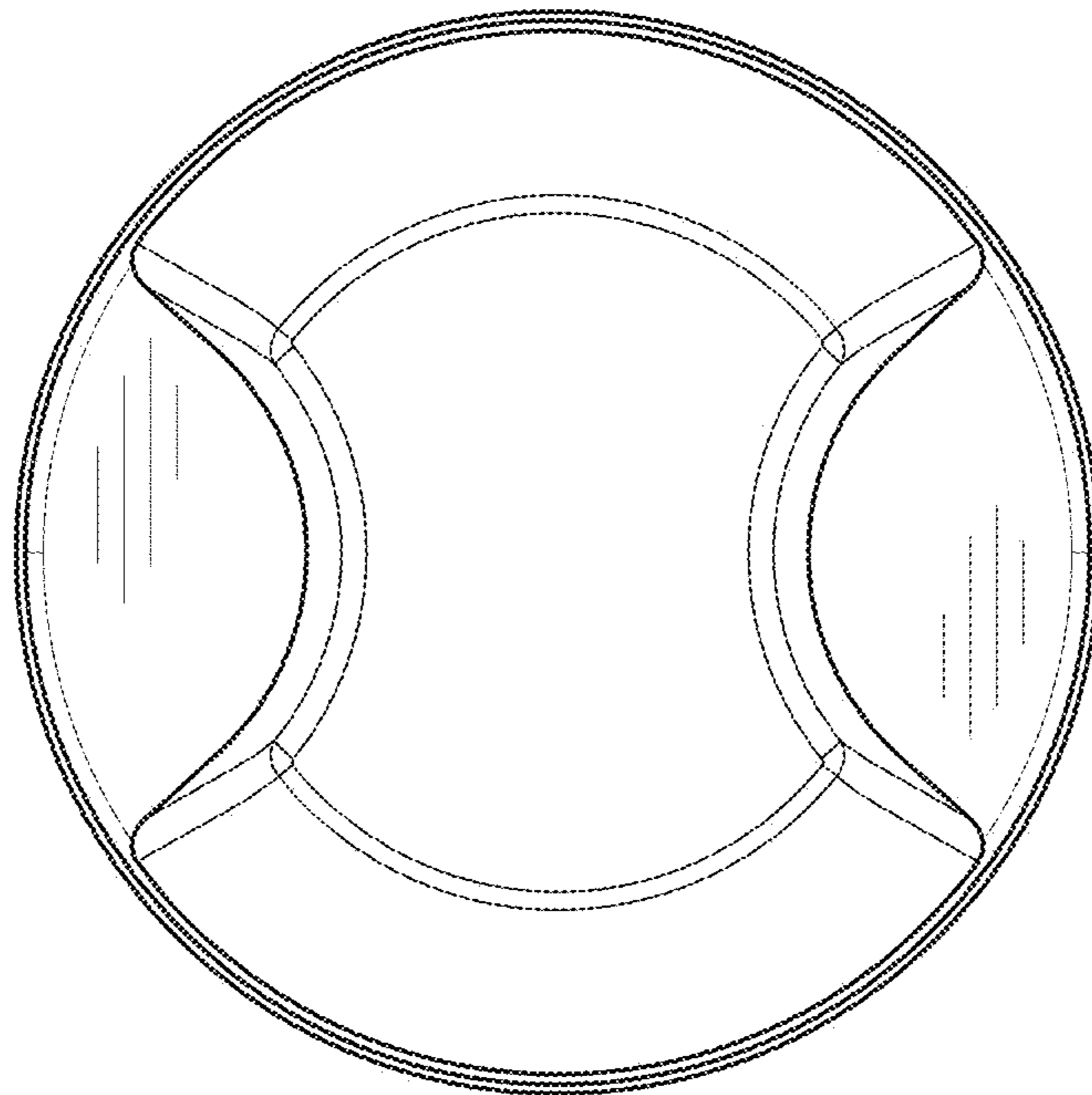


FIG. 4

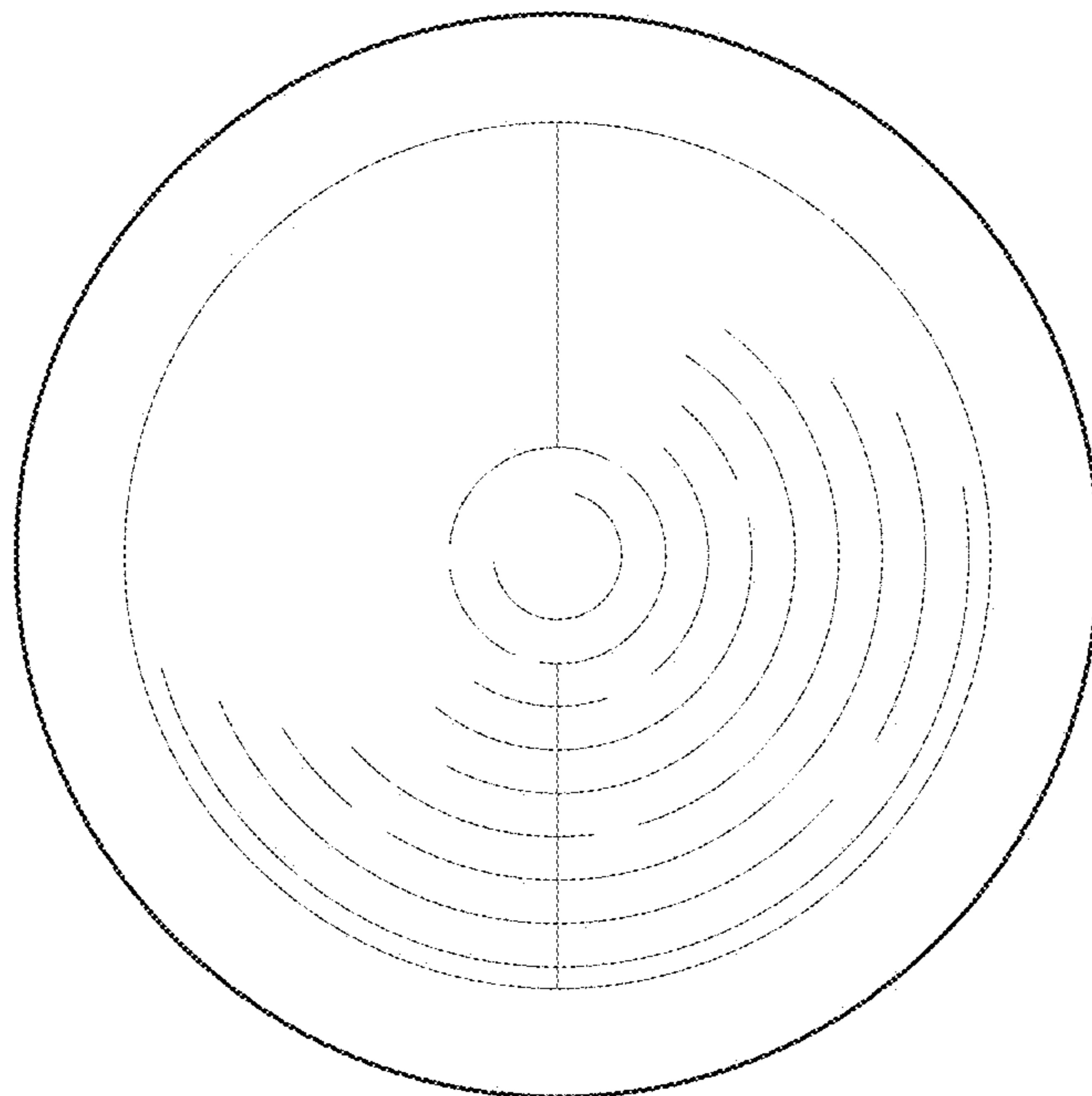


FIG. 5

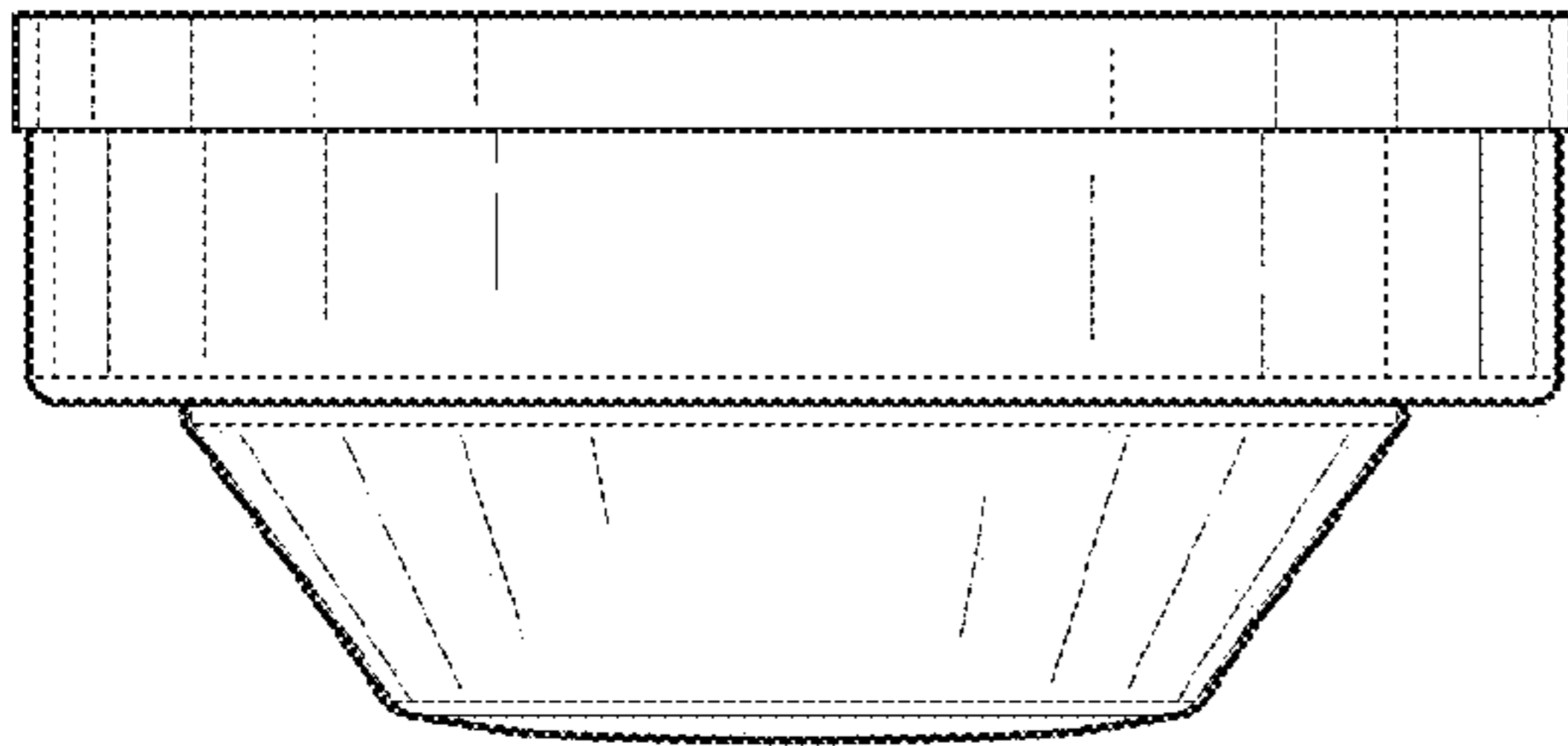


FIG. 6

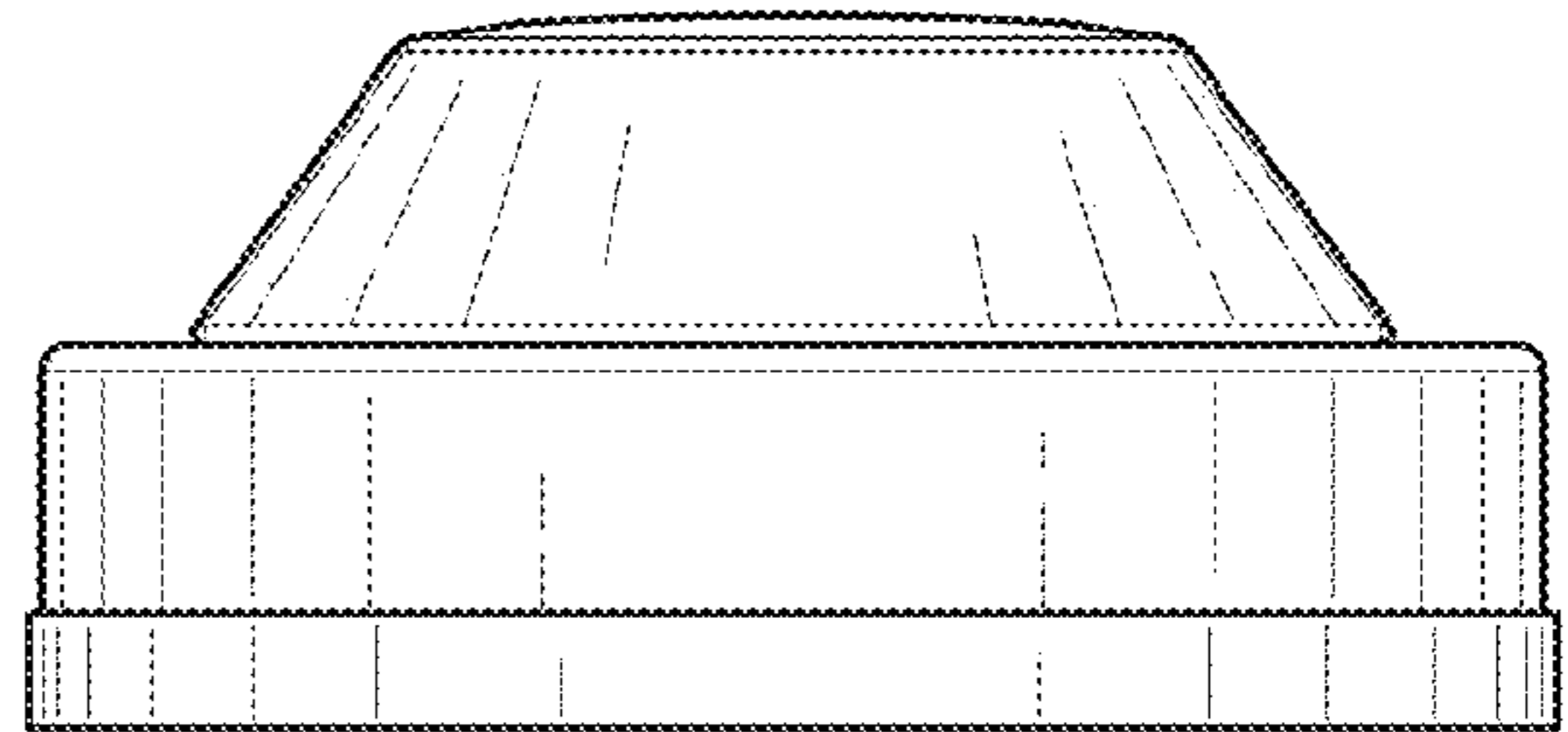


FIG. 7

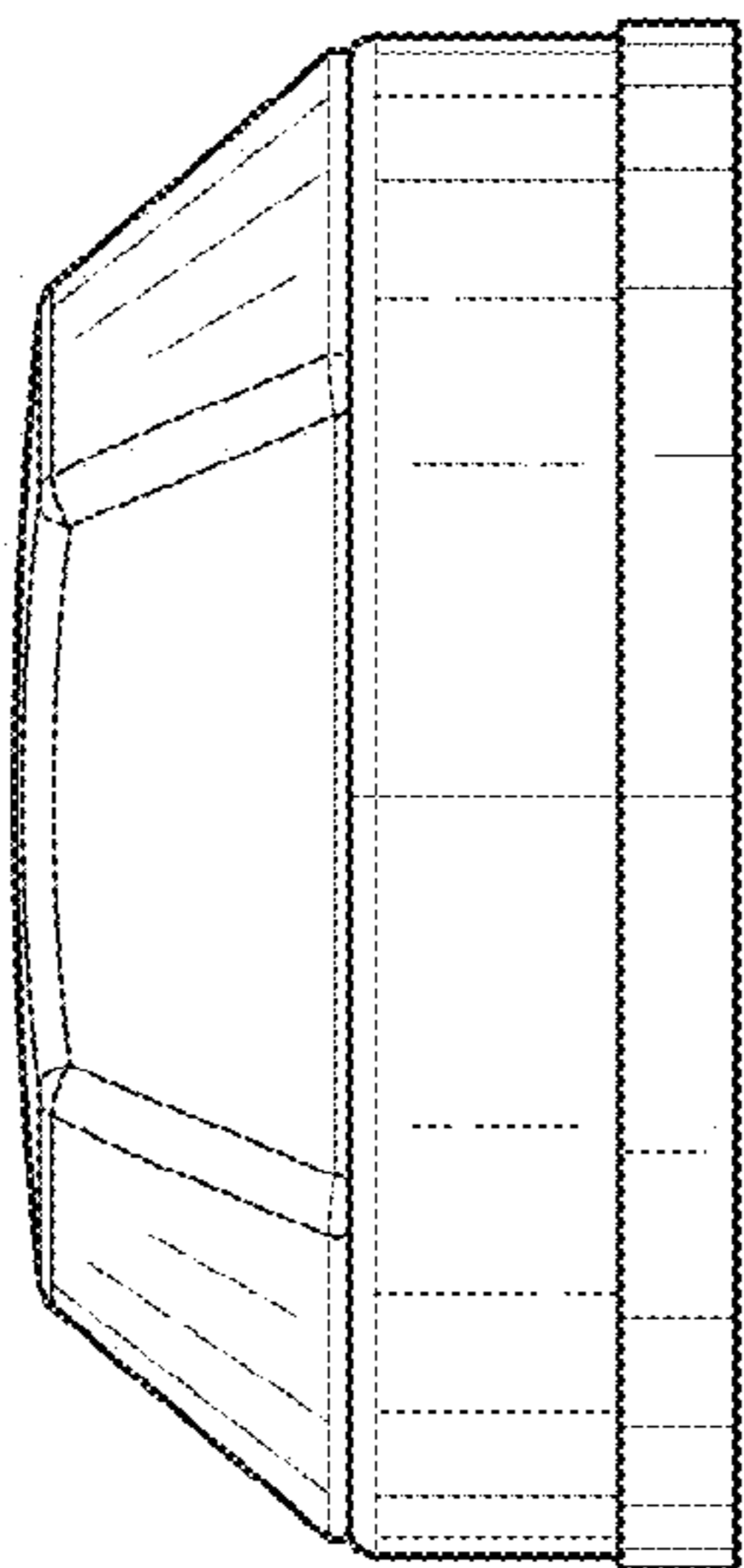


FIG. 8

