



US00D885164S

(12) **United States Design Patent**  
**Frydenger**

(10) **Patent No.:** **US D885,164 S**

(45) **Date of Patent:** **\*\* May 26, 2020**

(54) **SUCTION CUP**

2017/0054885 A1 2/2017 Rolston  
2017/0118385 A1 4/2017 Vargas et al.  
2018/0268747 A1 9/2018 Braun

(71) Applicant: **Luke Frydenger**, Boulder, CO (US)

(72) Inventor: **Luke Frydenger**, Boulder, CO (US)

(73) Assignee: **AYLO LLC**, Boulder, CO (US)

(\*\*) Term: **15 Years**

(21) Appl. No.: **29/666,675**

(22) Filed: **Oct. 15, 2018**

(51) **LOC (12) Cl.** ..... **08-05**

(52) **U.S. Cl.**  
USPC ..... **D8/349**

(58) **Field of Classification Search**  
USPC ..... D8/60, 61, 77, 82, 342, 349, 354, 355,  
D8/356, 367, 382, 396, 499  
CPC ..... F16B 47/00; F16B 47/003; F16B 47/006;  
A47G 1/16; A47G 1/17; A45D 42/14  
See application file for complete search history.

(56) **References Cited**

**U.S. PATENT DOCUMENTS**

2,846,809	A *	8/1958	Majewski	.....	A63H 33/103
					446/92
5,104,077	A *	4/1992	Liu	.....	F16B 47/00
					248/205.8
6,749,160	B1	6/2004	Richter		
D617,627	S *	6/2010	Tawil	.....	D8/349
D738,434	S *	9/2015	Baumann	.....	D21/398
D820,992	S *	6/2018	King	.....	D24/200
2007/0120027	A1	5/2007	Chang		
2009/0308993	A1	12/2009	Chang		
2011/0163211	A1	7/2011	Cicco		
2012/0292466	A1	11/2012	Song		
2016/0255941	A1	9/2016	Yang et al.		

**FOREIGN PATENT DOCUMENTS**

JP 2016-177963 A 10/2016  
WO WO2017162504 A1 9/2017

**OTHER PUBLICATIONS**

International Search Report and Written Opinion dated Jan. 14, 2020 issued in related PCT App. No. PCT/US19/56391 (14 pages).  
International Search Report and Written Opinion dated Jan. 10, 2020 issued in related PCT App. No. PCT/US19/56392 (17 pages).  
“New Popsocket Cell Phone Accessorie for iPhone, Samsung, Android” (Pop Mount) Jul. 5, 2018 (Jul. 5, 2018) [online] retrieved from (URL:https://www.youtube.com/watch?v=oLv-osdCnY) entire document.

\* cited by examiner

*Primary Examiner* — Randall H Gholson

(74) *Attorney, Agent, or Firm* — Haynes and Boone, LLP

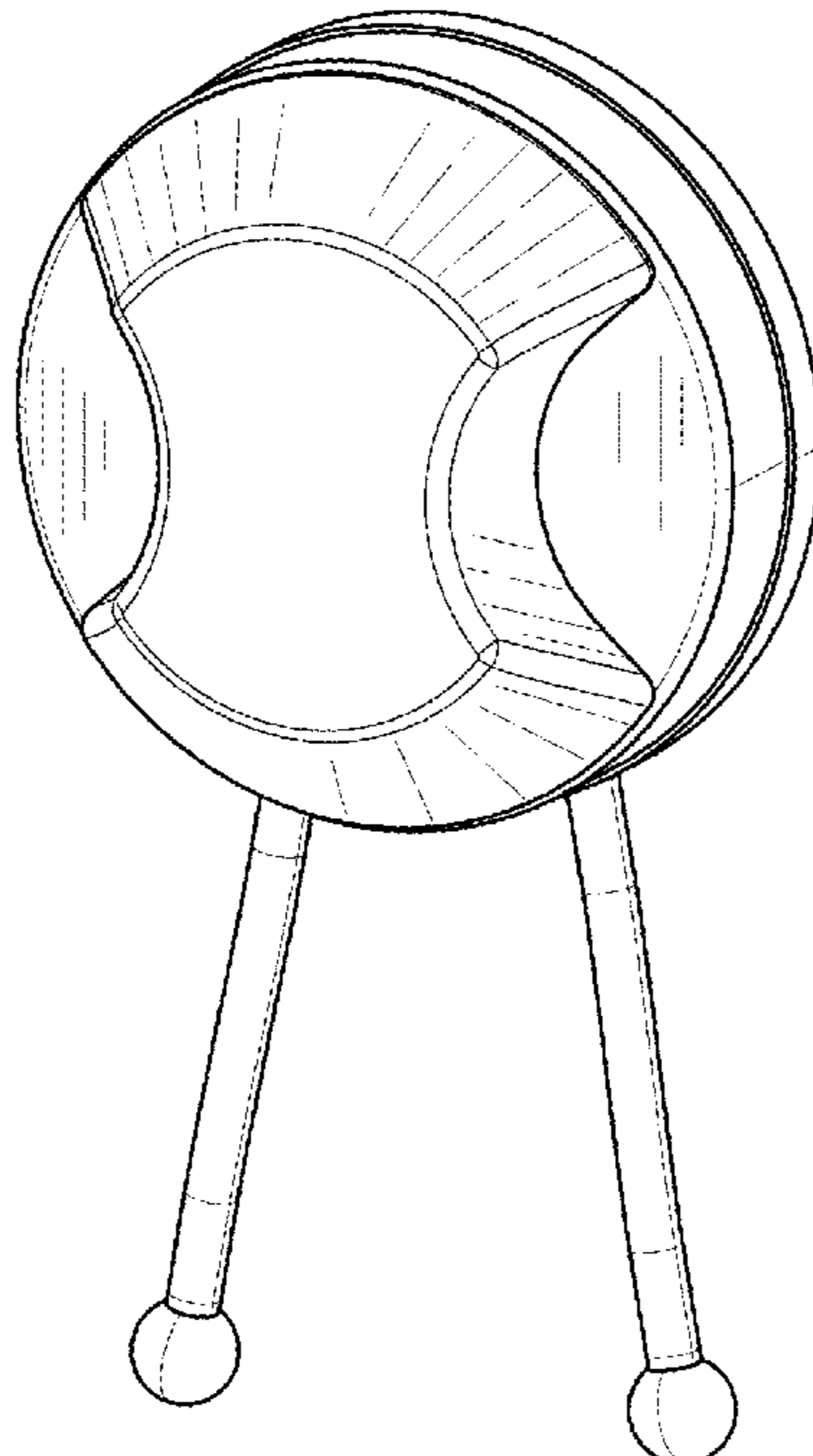
(57) **CLAIM**

The ornamental design for the suction cup, as shown and described.

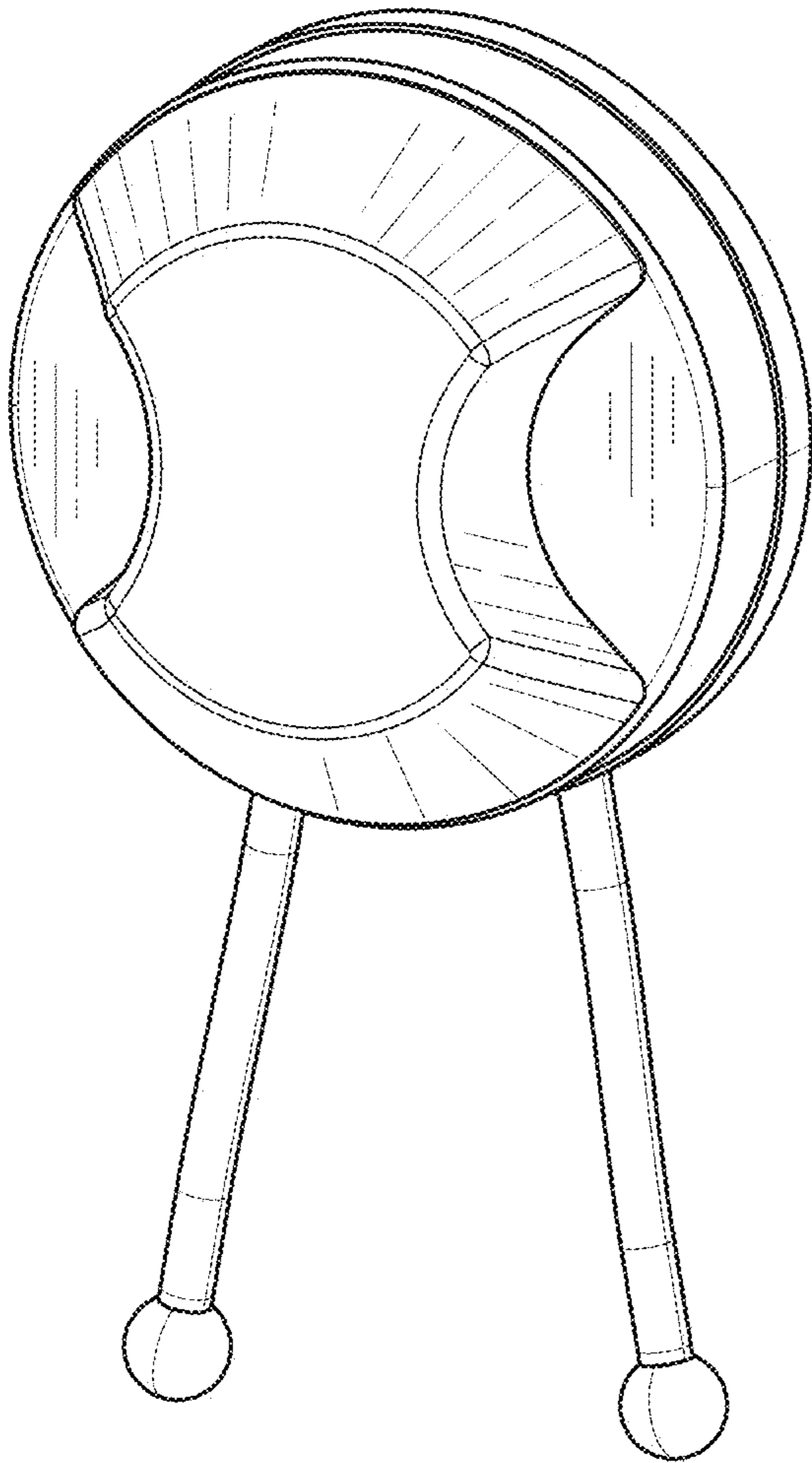
**DESCRIPTION**

FIG. 1 shows a front perspective view of a suction cup; FIG. 2 shows a rear perspective view of a suction cup; FIG. 3 shows a front view of the suction cup of FIG. 1; FIG. 4 shows a rear view of the suction cup of FIG. 1; FIG. 5 shows top view of the suction cup of FIG. 1; FIG. 6 shows bottom view of the suction cup of FIG. 1; FIG. 7 shows the right side of the suction cup of FIG. 1; and, FIG. 8 shows the left side of the suction cup of FIG. 1.

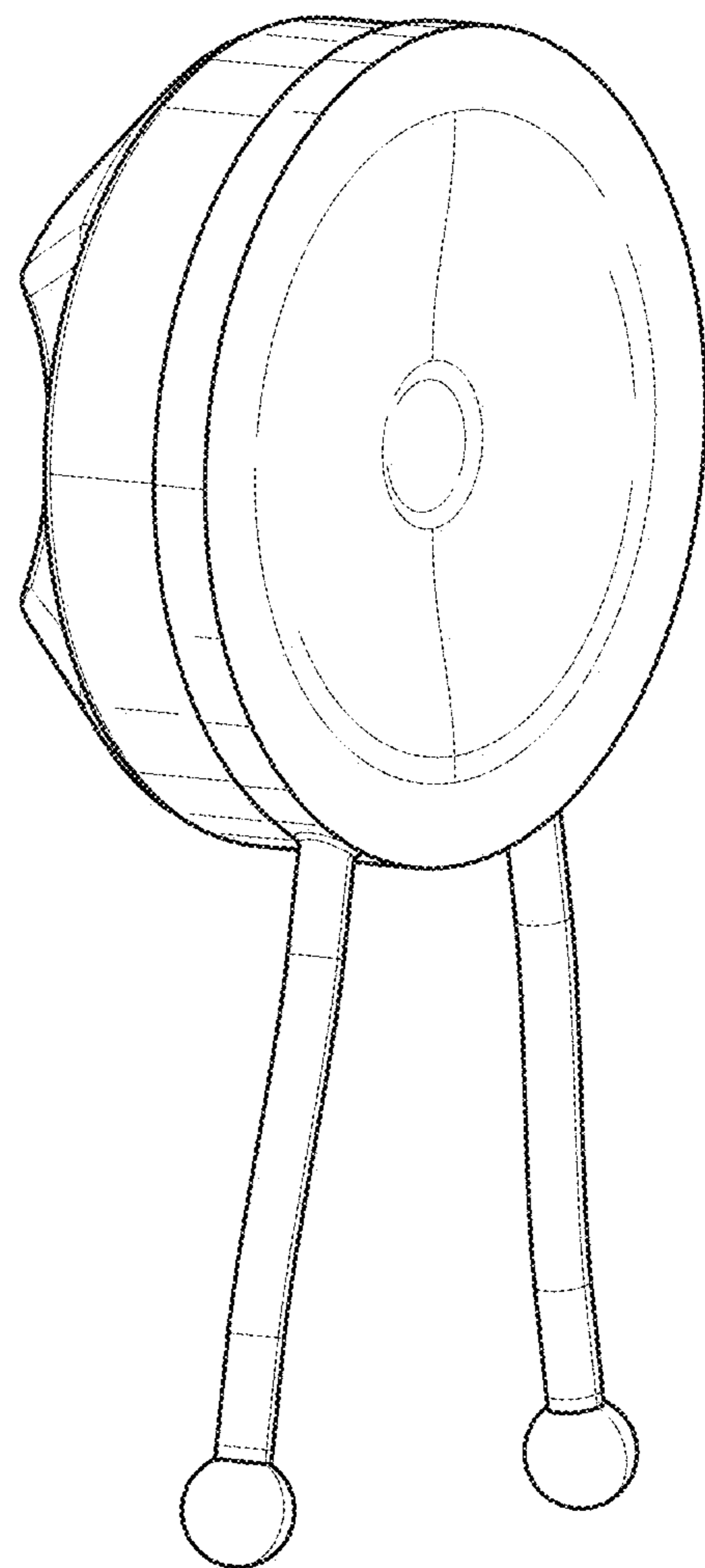
**1 Claim, 3 Drawing Sheets**



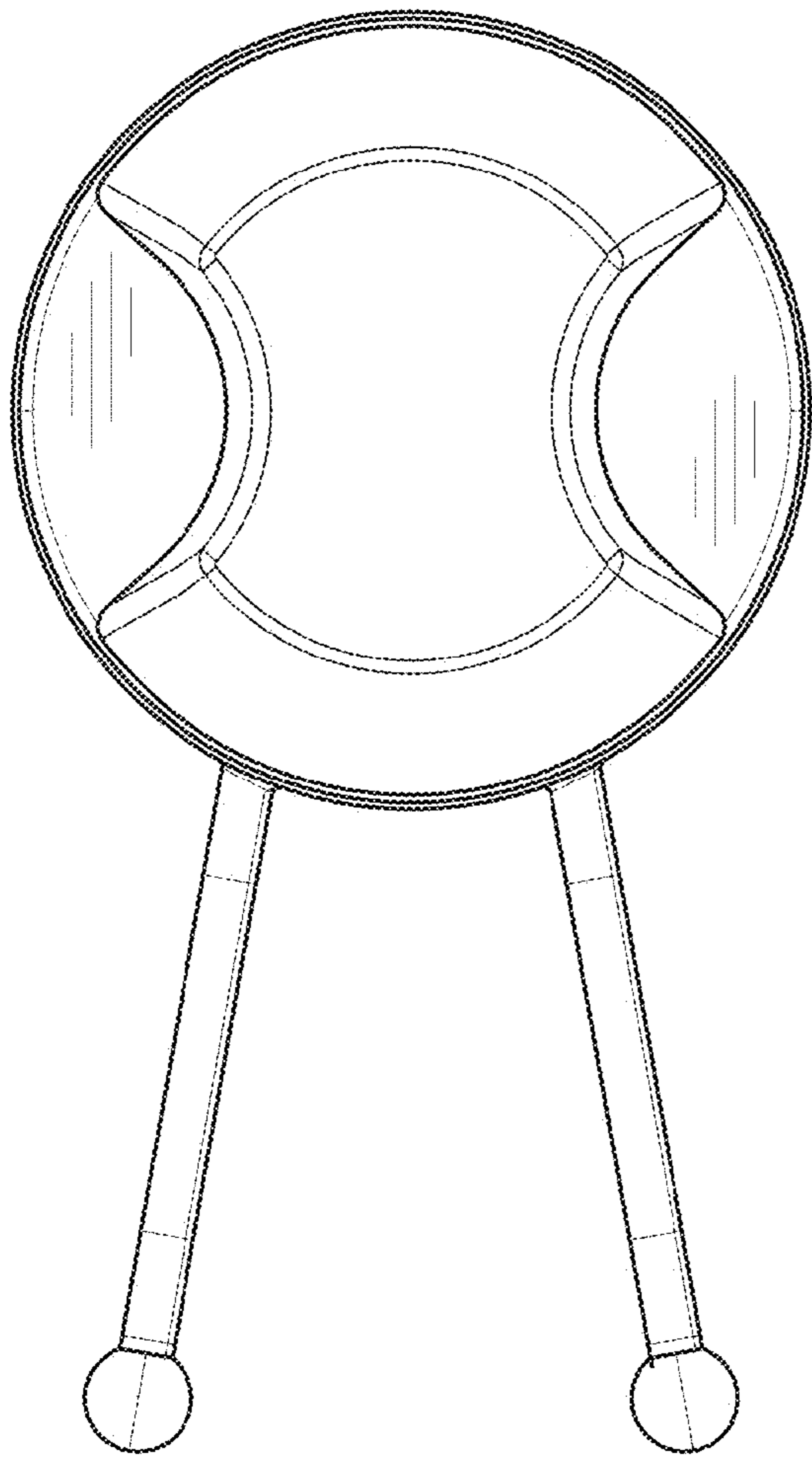
**FIG. 1**



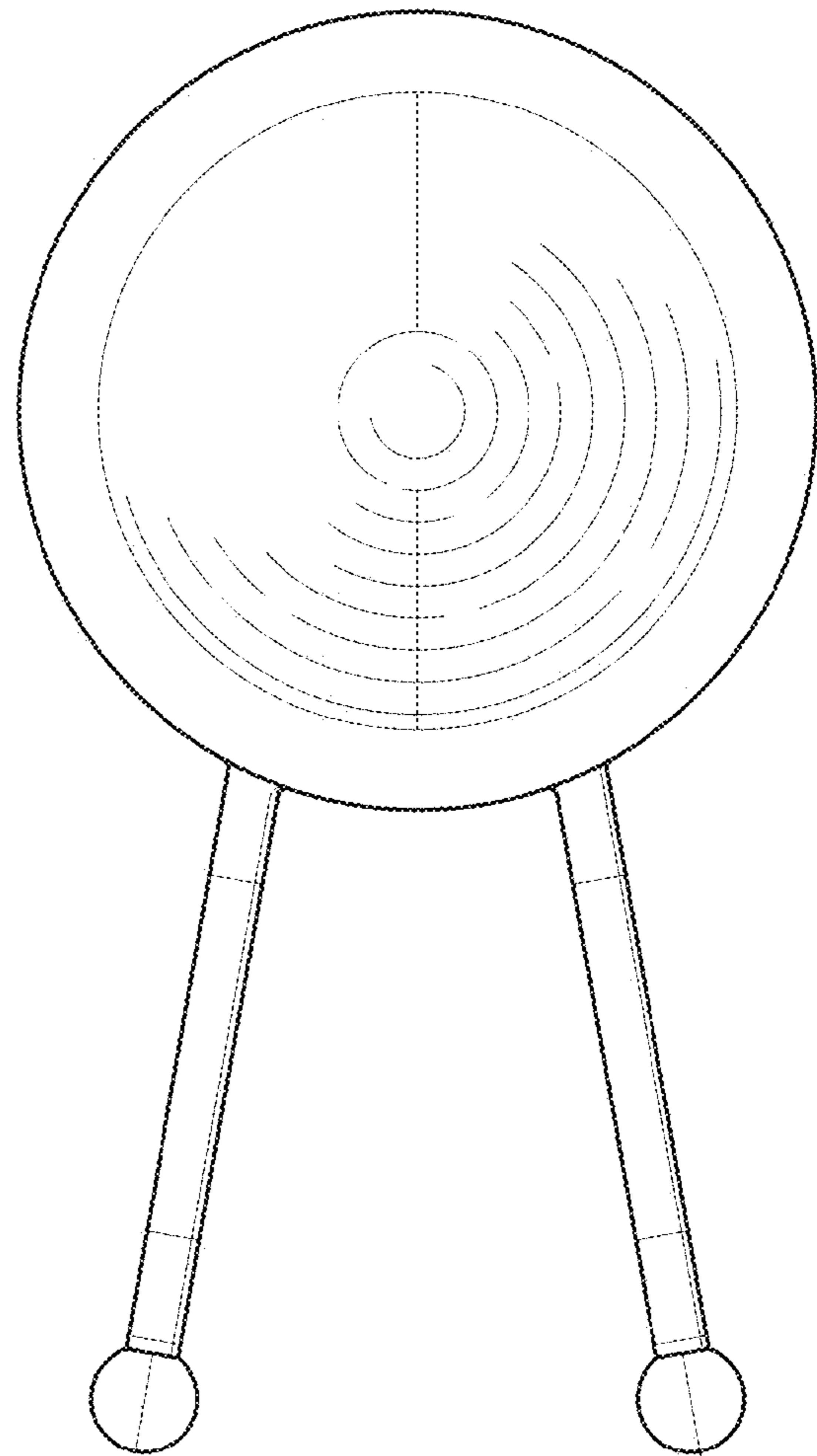
**FIG. 2**



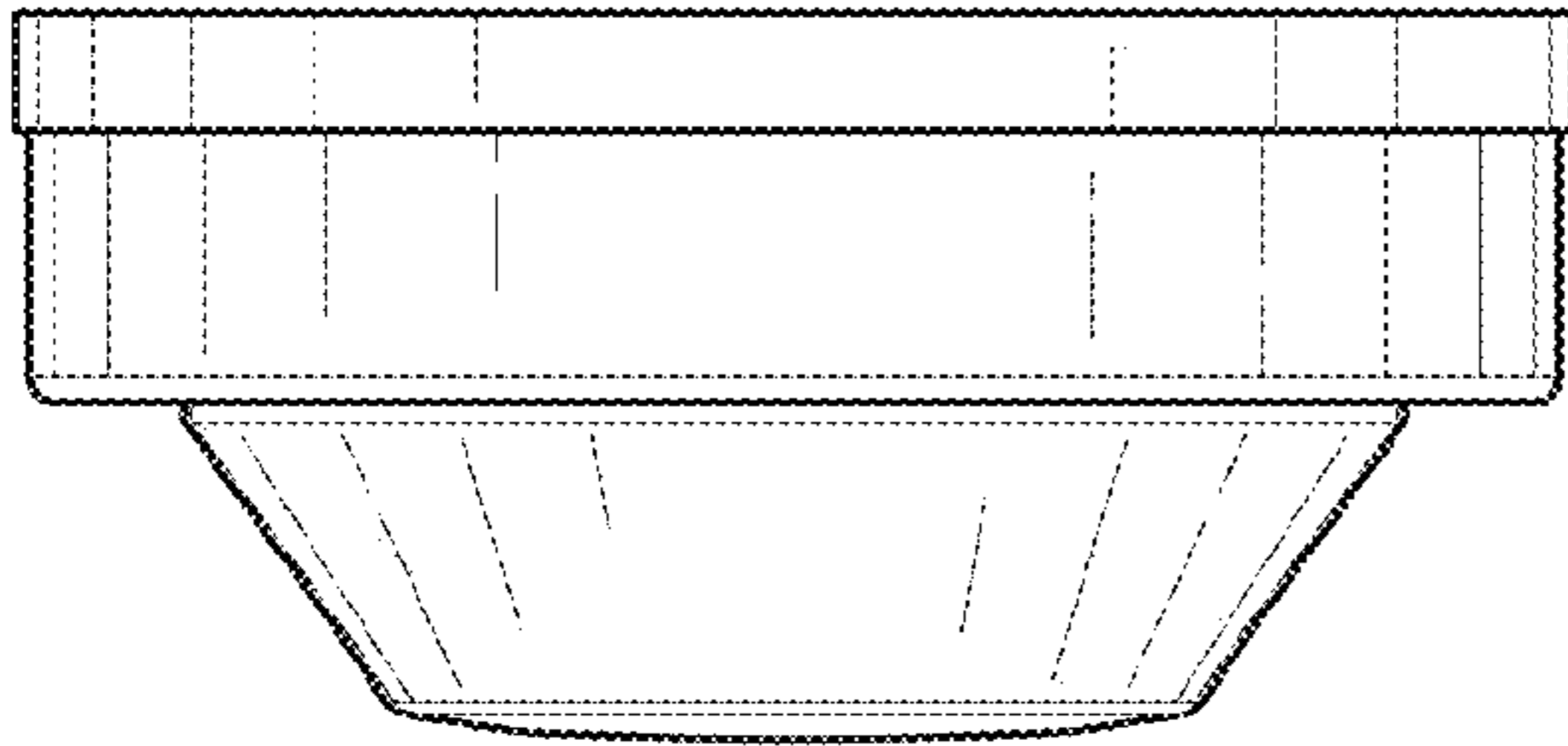
**FIG. 3**



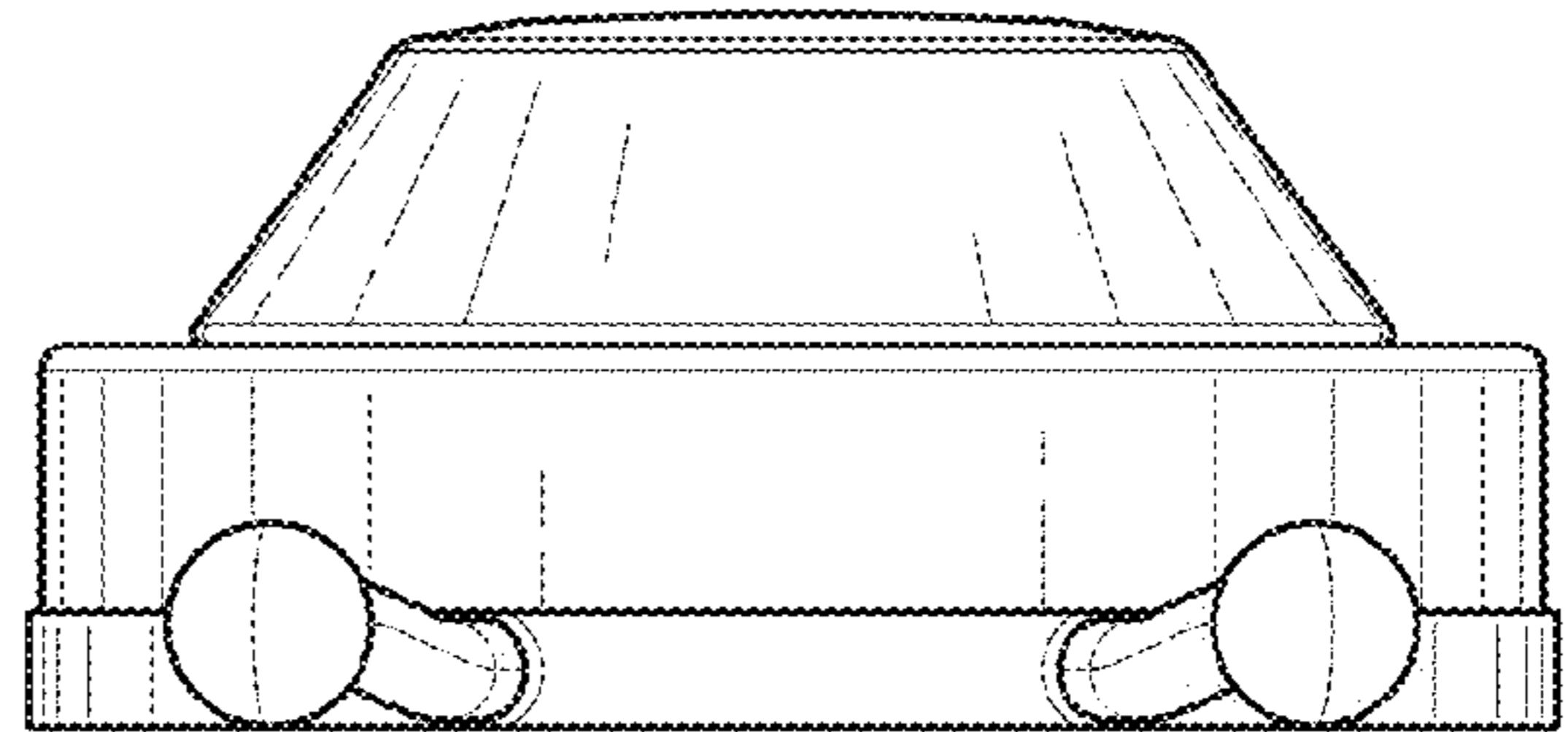
**FIG. 4**



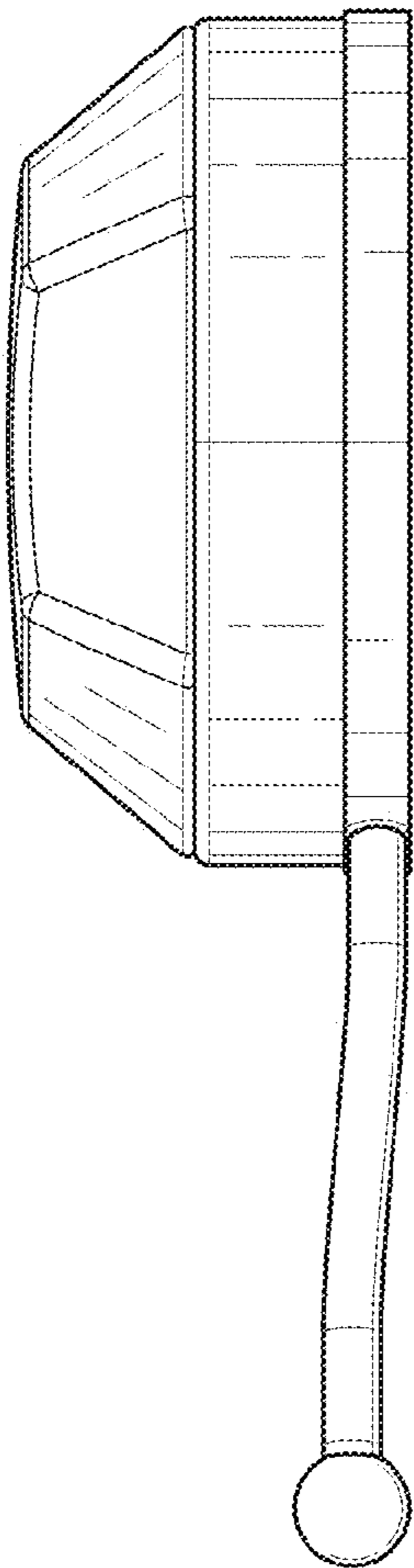
**FIG. 5**



**FIG. 6**



**FIG. 7**



**FIG. 8**

