



US00D885162S

(12) **United States Design Patent** (10) **Patent No.:** **US D885,162 S**  
**Lai** (45) **Date of Patent:** **\*\* May 26, 2020**

(54) **SMART LOCK**

(71) Applicant: **Chunyan Lai**, Guangdong (CN)

(72) Inventor: **Chunyan Lai**, Guangdong (CN)

(73) Assignee: **SHENZHEN OMNI INTELLIGENT TECHNOLOGY CO., LTD.**, Shenzhen (CN)

(\*\*) Term: **15 Years**

(21) Appl. No.: **29/625,358**

(22) Filed: **Nov. 9, 2017**

(51) **LOC (12) Cl.** ..... **08-07**

(52) **U.S. Cl.**  
USPC ..... **D8/330**

(58) **Field of Classification Search**  
 USPC ..... D8/352, 499, 330, 331, 333, 334, 341, D8/342, 343, 349; D9/435, 436, 442, D9/443, 444, 445, 499, 528, 529, 539, D9/686, 687, 688; 70/58, 107, 141, 210, 70/217, 218, 221-224, 284-286, 314, 70/DIG. 44, 277-283.1, 472; 206/221, 206/222; 215/216; 220/253, 713; 222/525  
 CPC ... E05B 3/00; E05B 1/00; E05B 37/00; E05B 47/00; E05B 47/06; E05B 49/00; E05B 15/02; E05B 13/103; E05B 9/00; E05B 9/002; E05B 9/02; E05C 9/004; E05C 9/002; B65D 47/12

See application file for complete search history.

(56) **References Cited**

U.S. PATENT DOCUMENTS

D630,491	S	*	1/2011	Lundstrom	.....	D8/300
D737,652	S	*	9/2015	Harden	.....	D8/302
D745,359	S	*	12/2015	Sun	.....	D8/308
D745,360	S	*	12/2015	Sun	.....	D8/308
D822,179	S	*	7/2018	Kirar	.....	D23/252
D838,572	S	*	1/2019	Su	.....	D8/301
D843,195	S	*	3/2019	Ronge	.....	D8/302
2018/0051488	A1	*	2/2018	Simpson	.....	E05B 65/52

\* cited by examiner

*Primary Examiner* — Manpreet S Matharu

*Assistant Examiner* — Yolanda Robinson

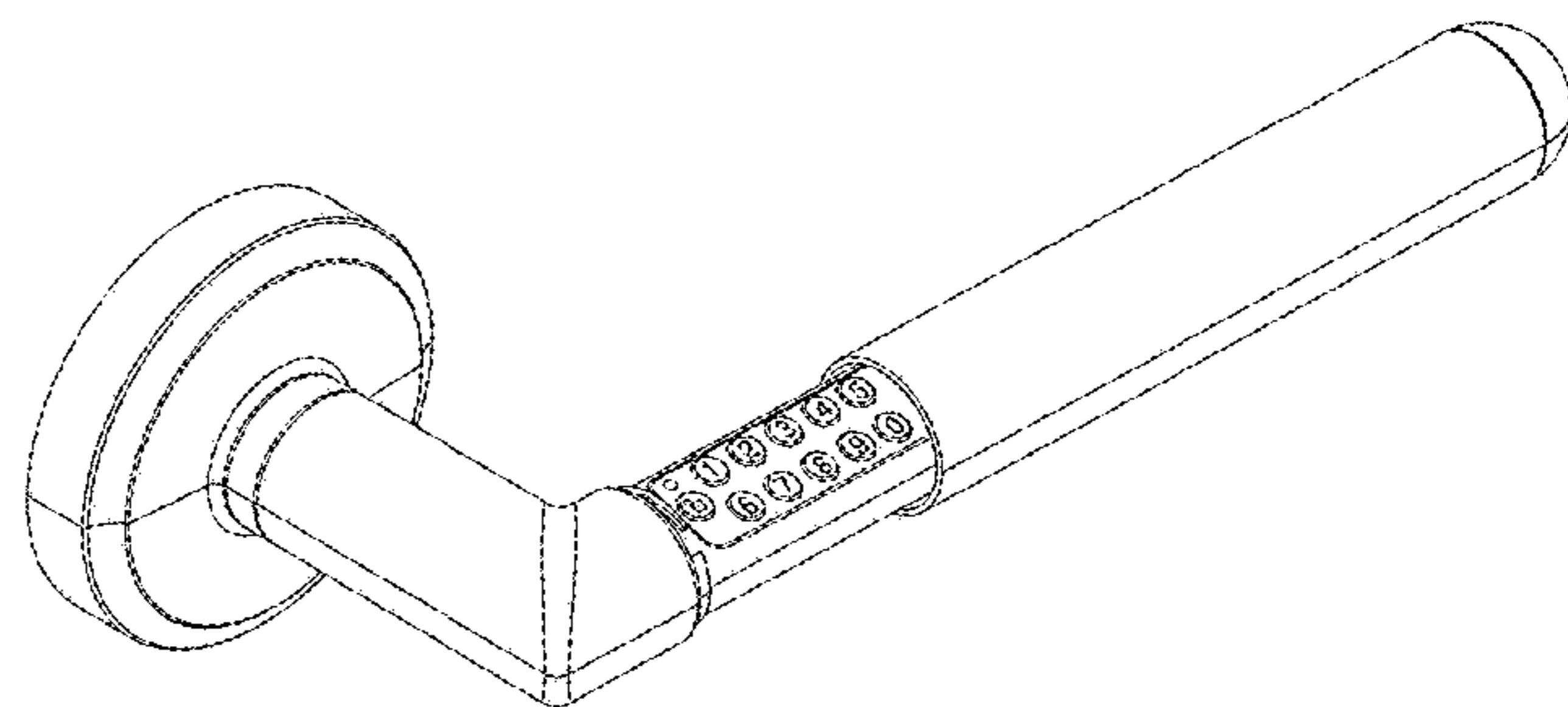
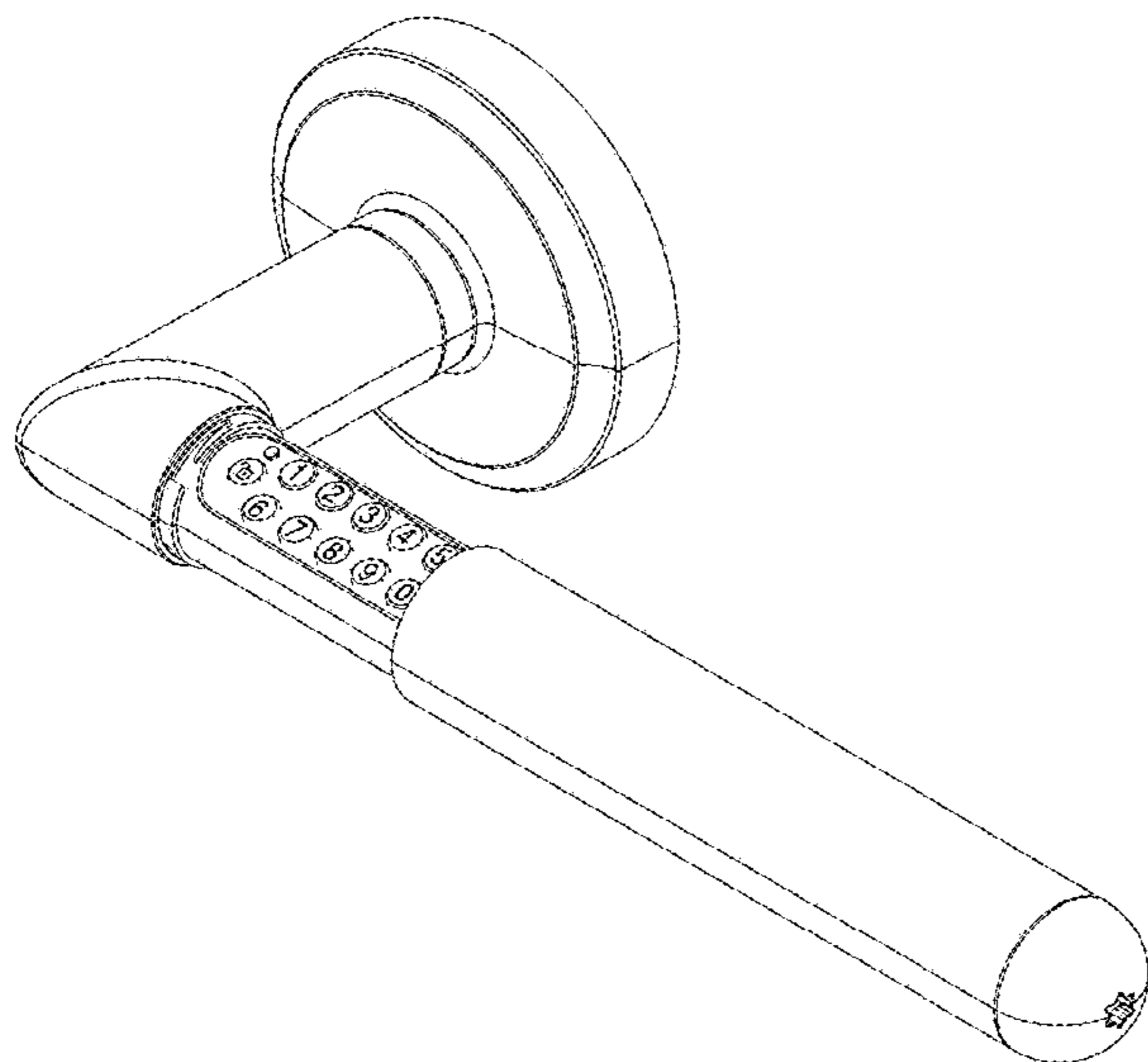
(57) **CLAIM**

The ornamental design for a smart lock, as shown and described.

**DESCRIPTION**

FIG. 1 is a perspective view of a smart lock showing my new design;  
 FIG. 2 is a front elevational view thereof;  
 FIG. 3 is a rear elevational view thereof;  
 FIG. 4 is a left side elevational view thereof;  
 FIG. 5 is a right side elevational view thereof;  
 FIG. 6 is a top plan view thereof;  
 FIG. 7 is a bottom plan view thereof; and,  
 FIG. 8 is another perspective view thereof.

**1 Claim, 8 Drawing Sheets**



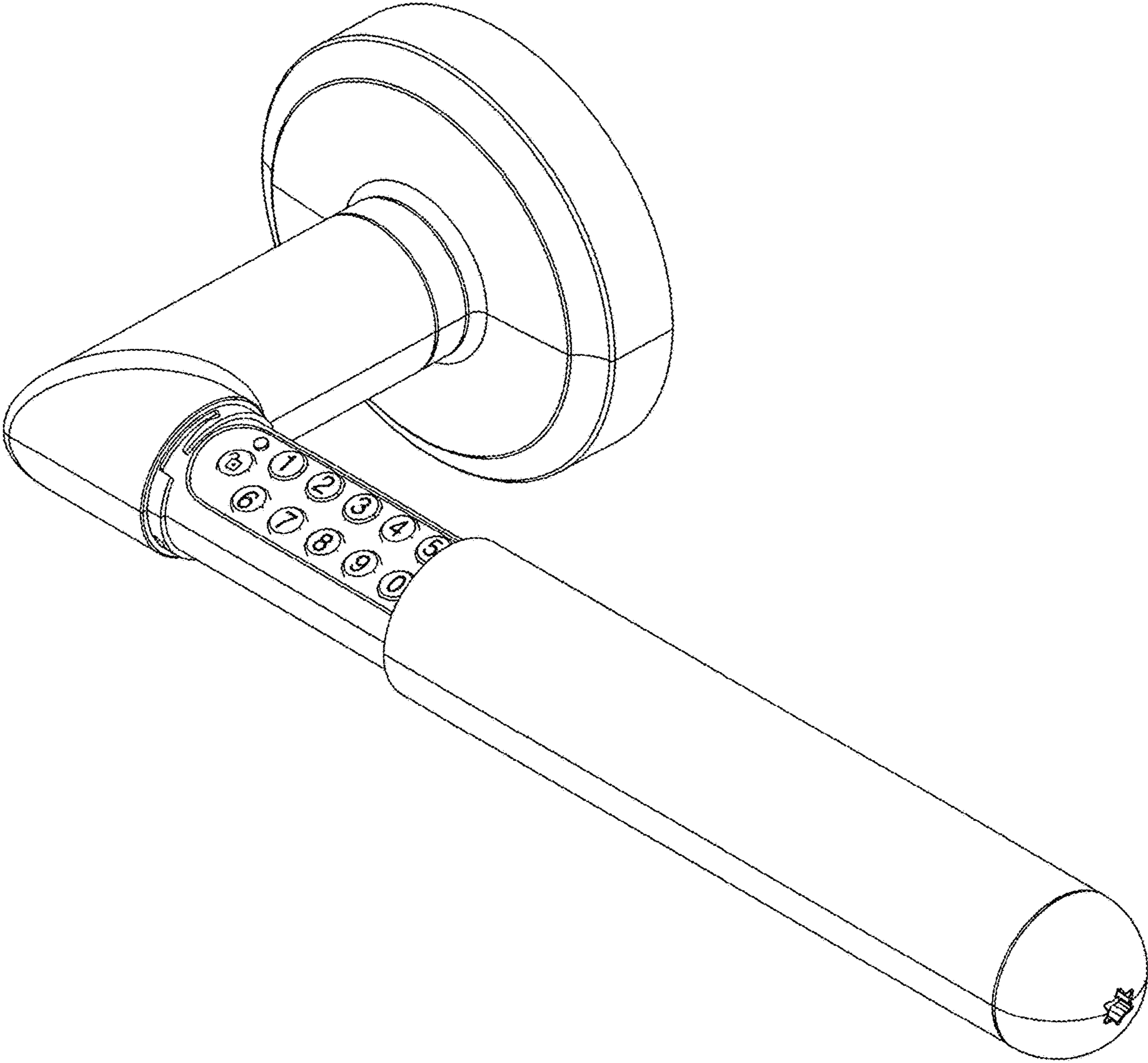


FIG.1

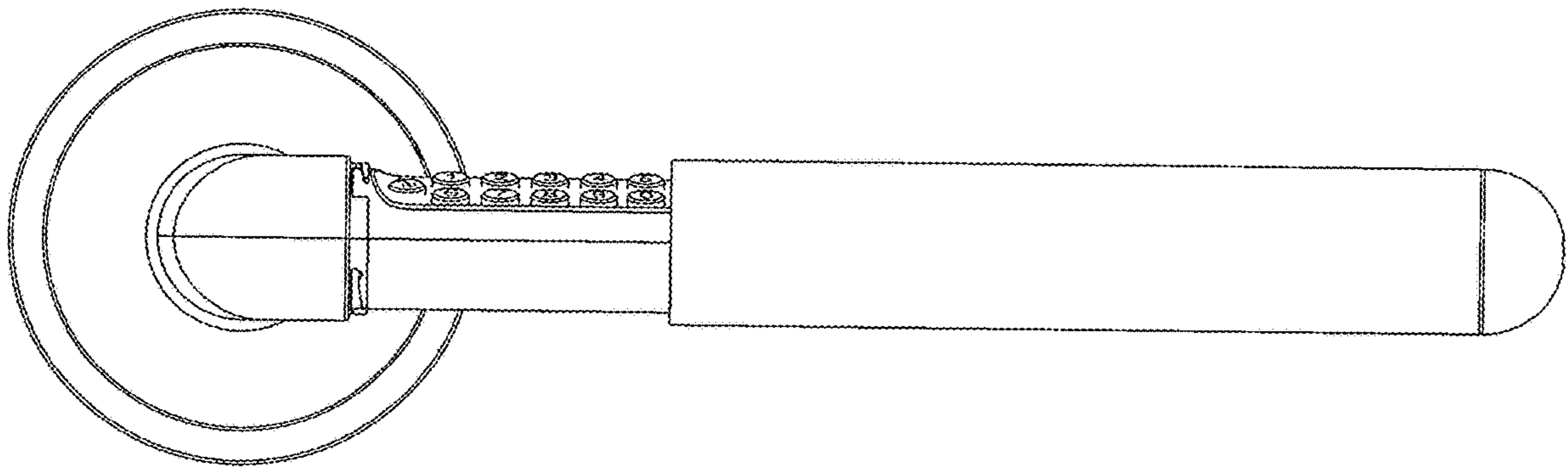


FIG.2

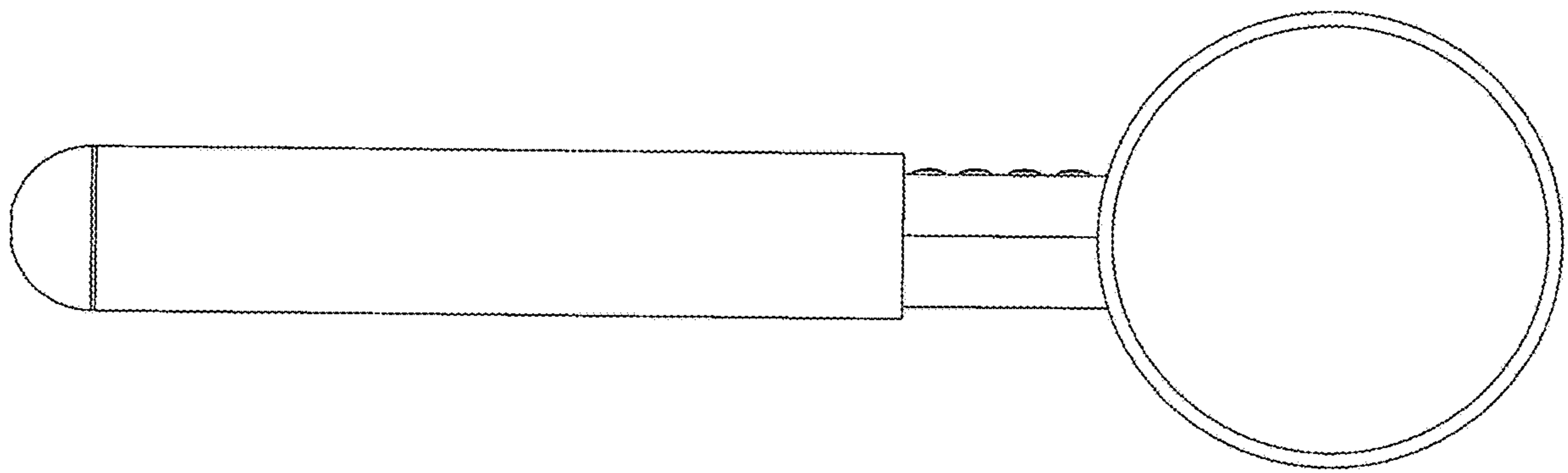


FIG.3

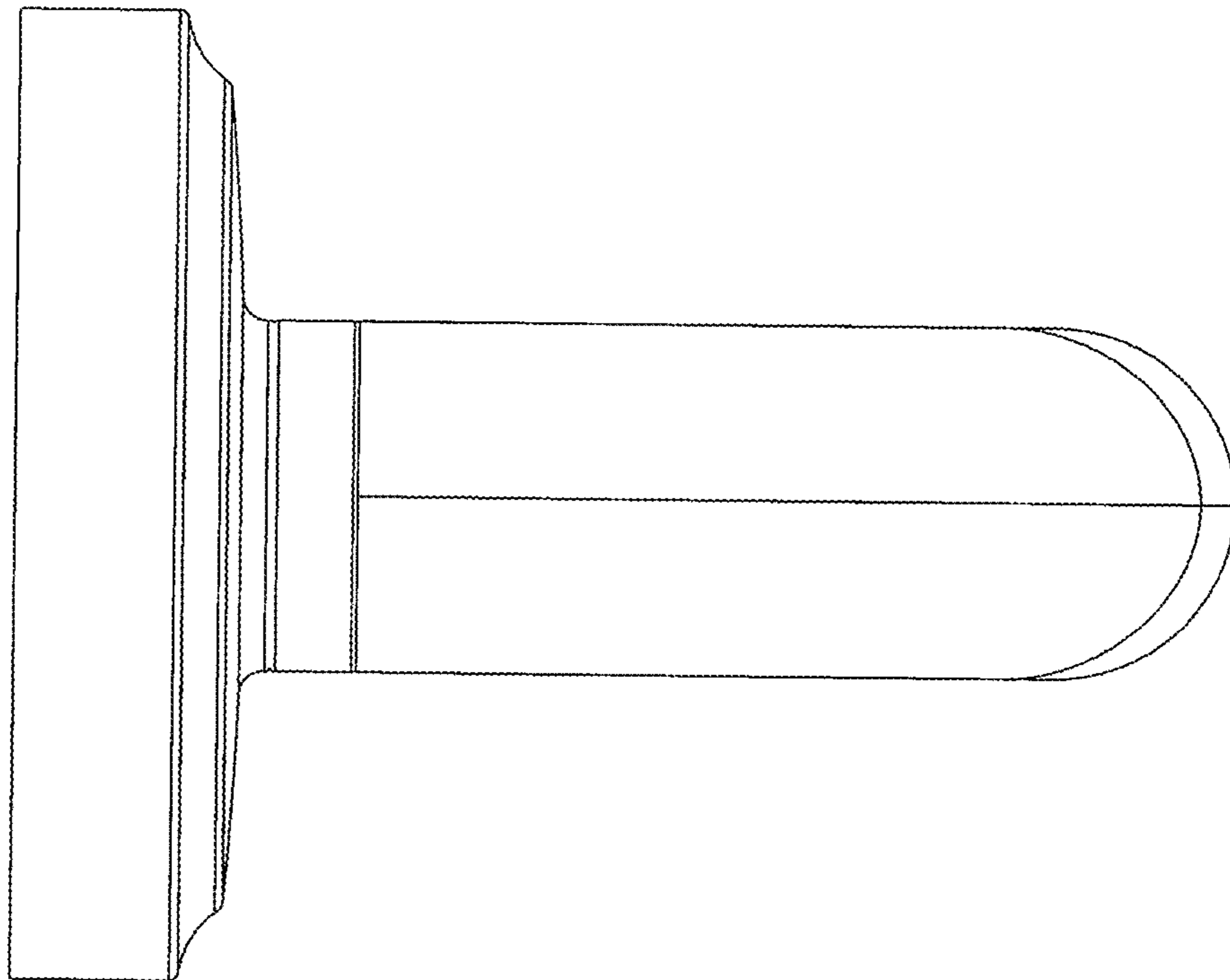


FIG.4

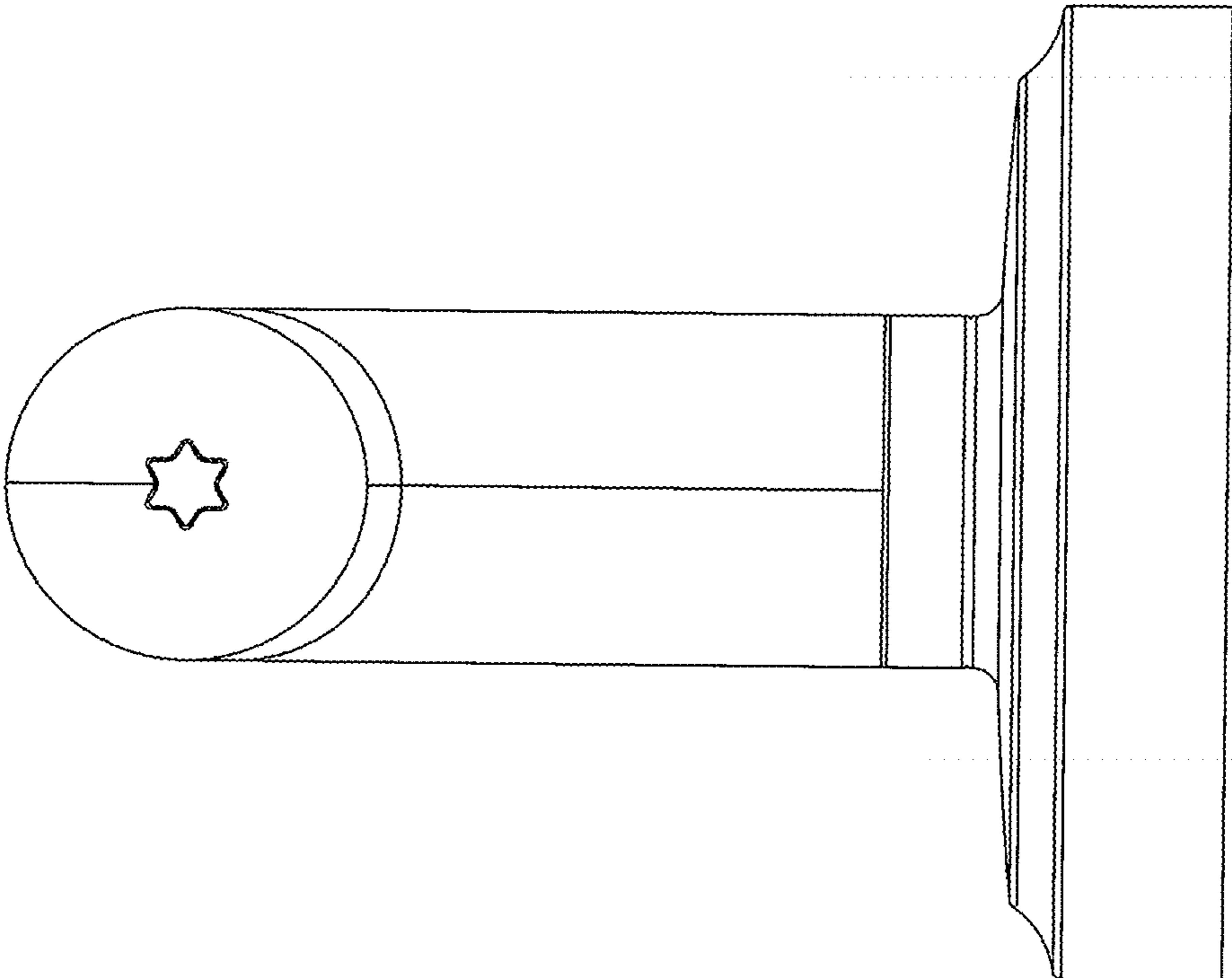


FIG.5

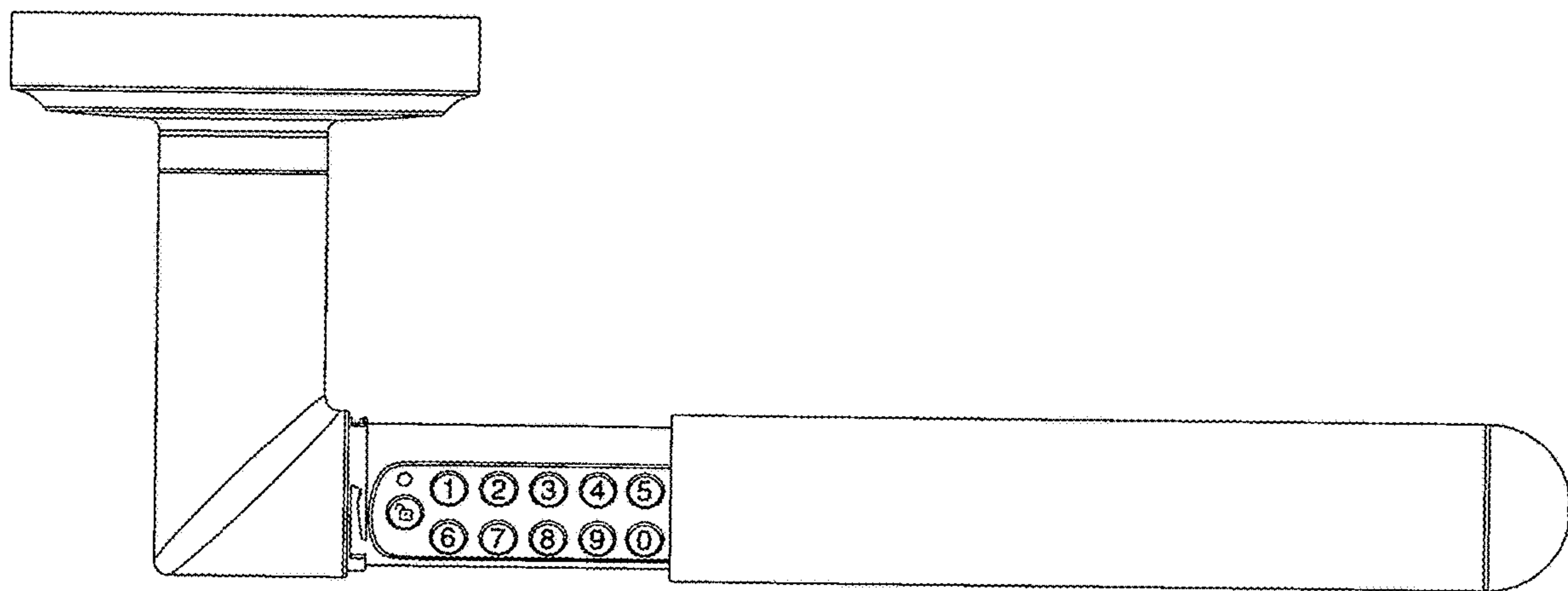


FIG.6

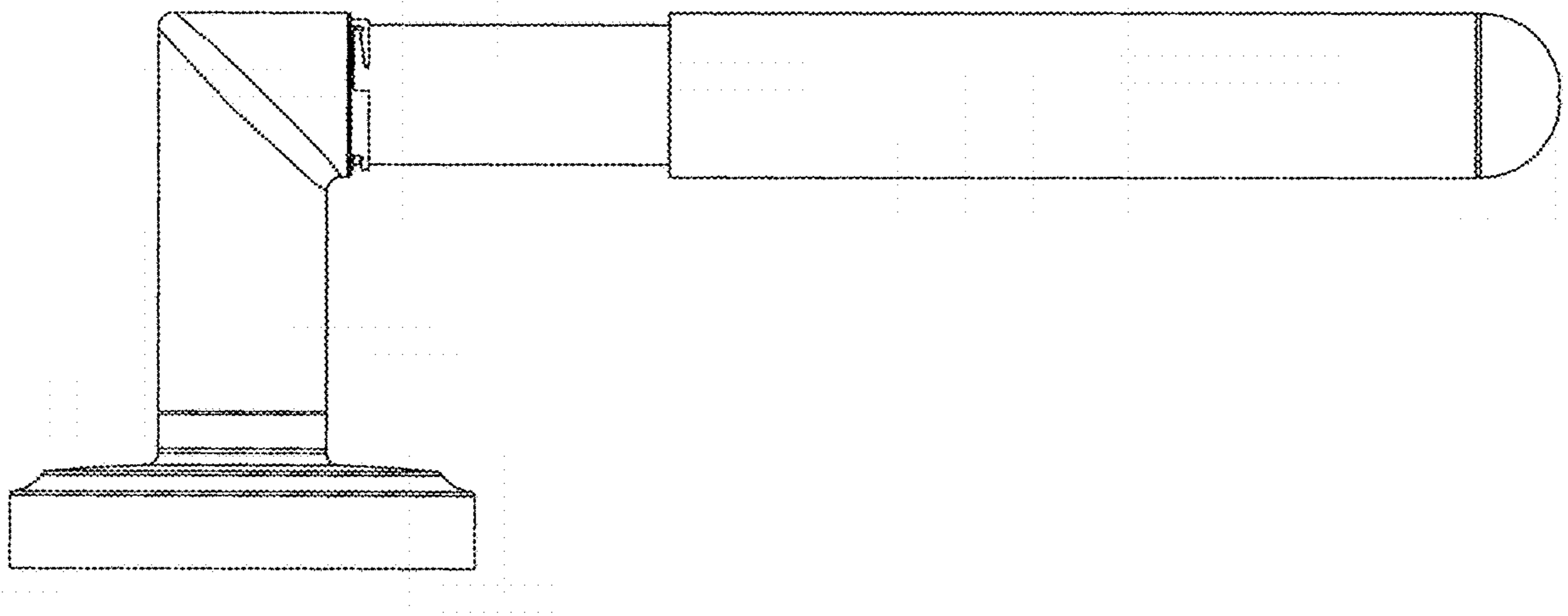


FIG. 7



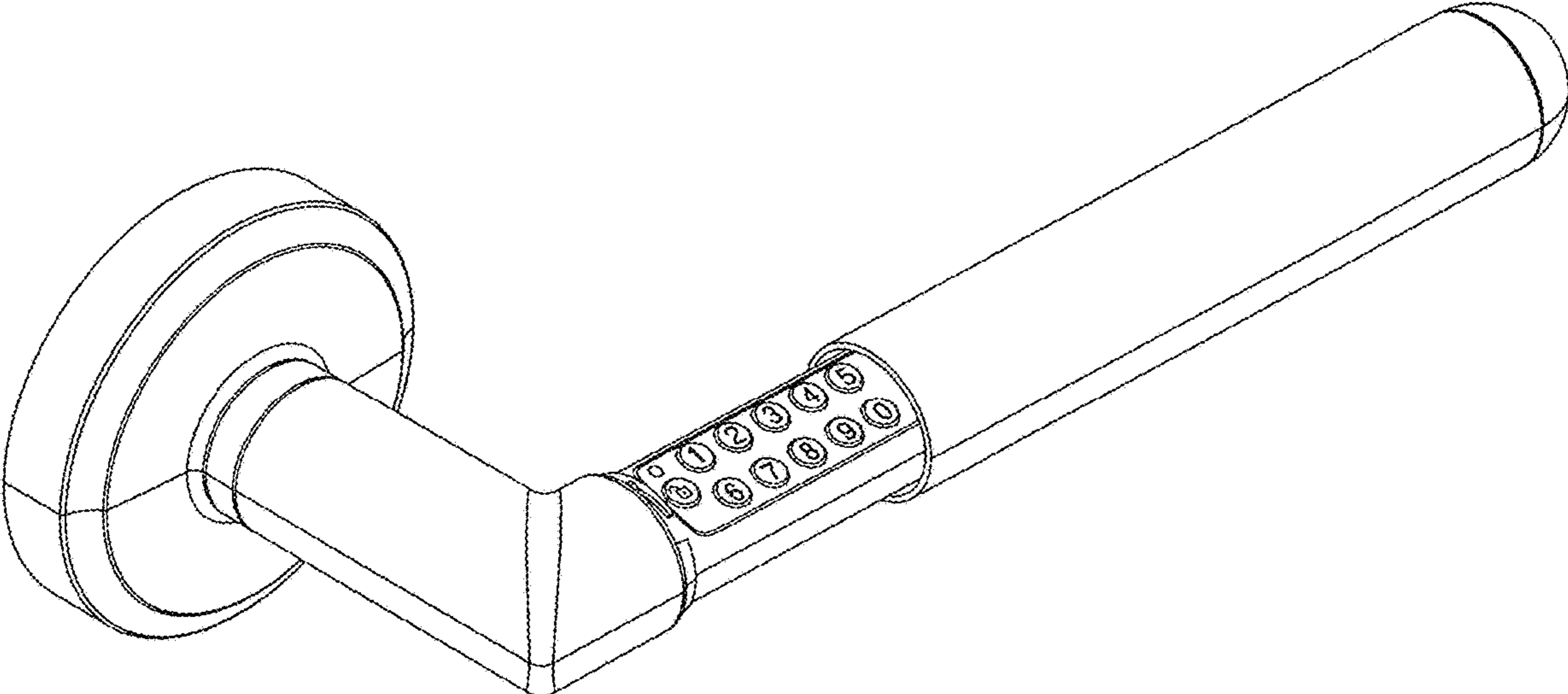


FIG. 8