



US00D885160S

(12) **United States Design Patent**  
**Yang**

(10) **Patent No.:** **US D885,160 S**

(45) **Date of Patent:** **\*\* May 26, 2020**

- (54) **SNOWFLAKE MULTI-TOOL**
- (71) Applicant: **GUANGZHOU NUOLIN TRADE CO., LTD.**, Guangzhou (CN)
- (72) Inventor: **Jinhua Yang**, Guangzhou (CN)
- (73) Assignee: **GUANGZHOU NUOLIN TRADE CO., LTD.**, Guangzhou (CN)
- (\*\*) Term: **15 Years**
- (21) Appl. No.: **29/718,664**
- (22) Filed: **Dec. 27, 2019**
- (51) **LOC (12) Cl.** ..... **08-05**
- (52) **U.S. Cl.**  
USPC ..... **D8/105**
- (58) **Field of Classification Search**  
USPC .... D8/105, 38, 55, 14-19, 21, 53, 100, 103,  
D8/26, 34, 87, 99, 356, 28; D3/210  
CPC .. B25B 15/008; B25F 1/00; B25F 1/02; B25F  
1/04; F16B 45/02  
See application file for complete search history.

- D773,908 S 12/2016 Arakelian
- D781,125 S 3/2017 Manor
- D866,276 S 11/2019 Shlaferman

*Primary Examiner* — Janice Hallmark

(57) **CLAIM**

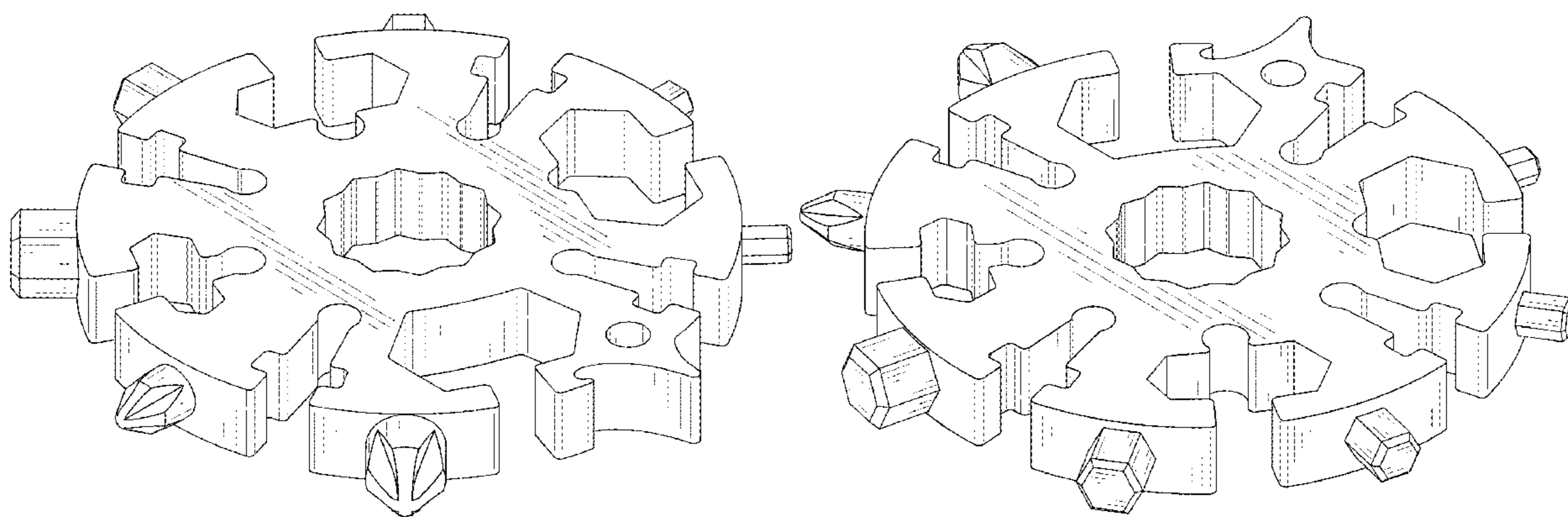
The ornamental design for a snowflake multi-tool, as shown and described.

**DESCRIPTION**

FIG. 1 is a perspective view of a snowflake multi-tool showing my new design;  
 FIG. 2 is another perspective view thereof;  
 FIG. 3 is a front elevational view thereof;  
 FIG. 4 is a rear elevational view thereof;  
 FIG. 5 is a left side elevational view thereof;  
 FIG. 6 is a right side elevational view thereof;  
 FIG. 7 is a top plan view thereof; and,  
 FIG. 8 is a bottom plan view thereof.

- (56) **References Cited**  
U.S. PATENT DOCUMENTS  
D468,987 S 1/2003 Dreyfus et al.  
D772,028 S 11/2016 Tangreen  
D772,678 S 11/2016 Haarbarger

**1 Claim, 8 Drawing Sheets**



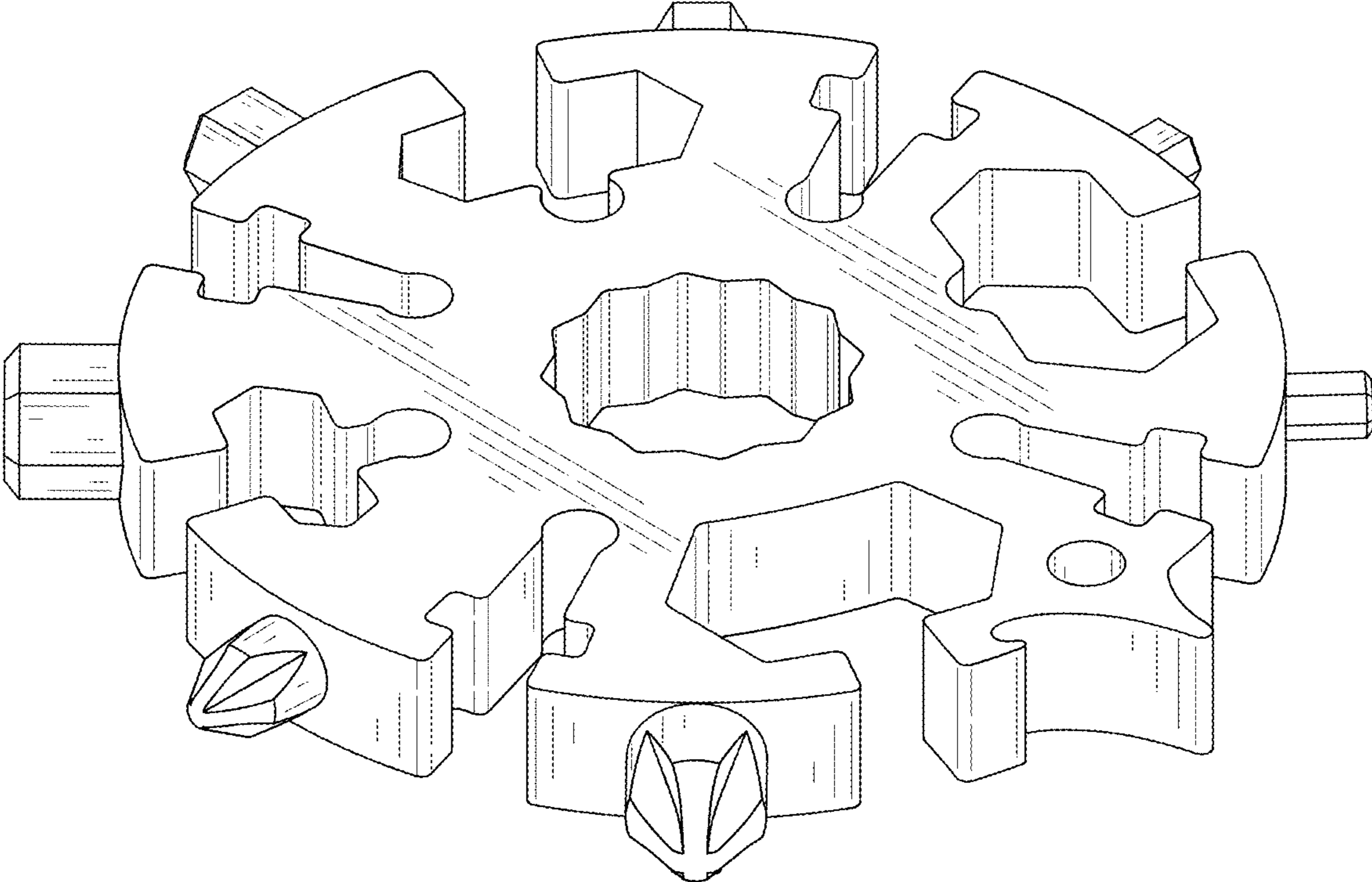


FIG. 1

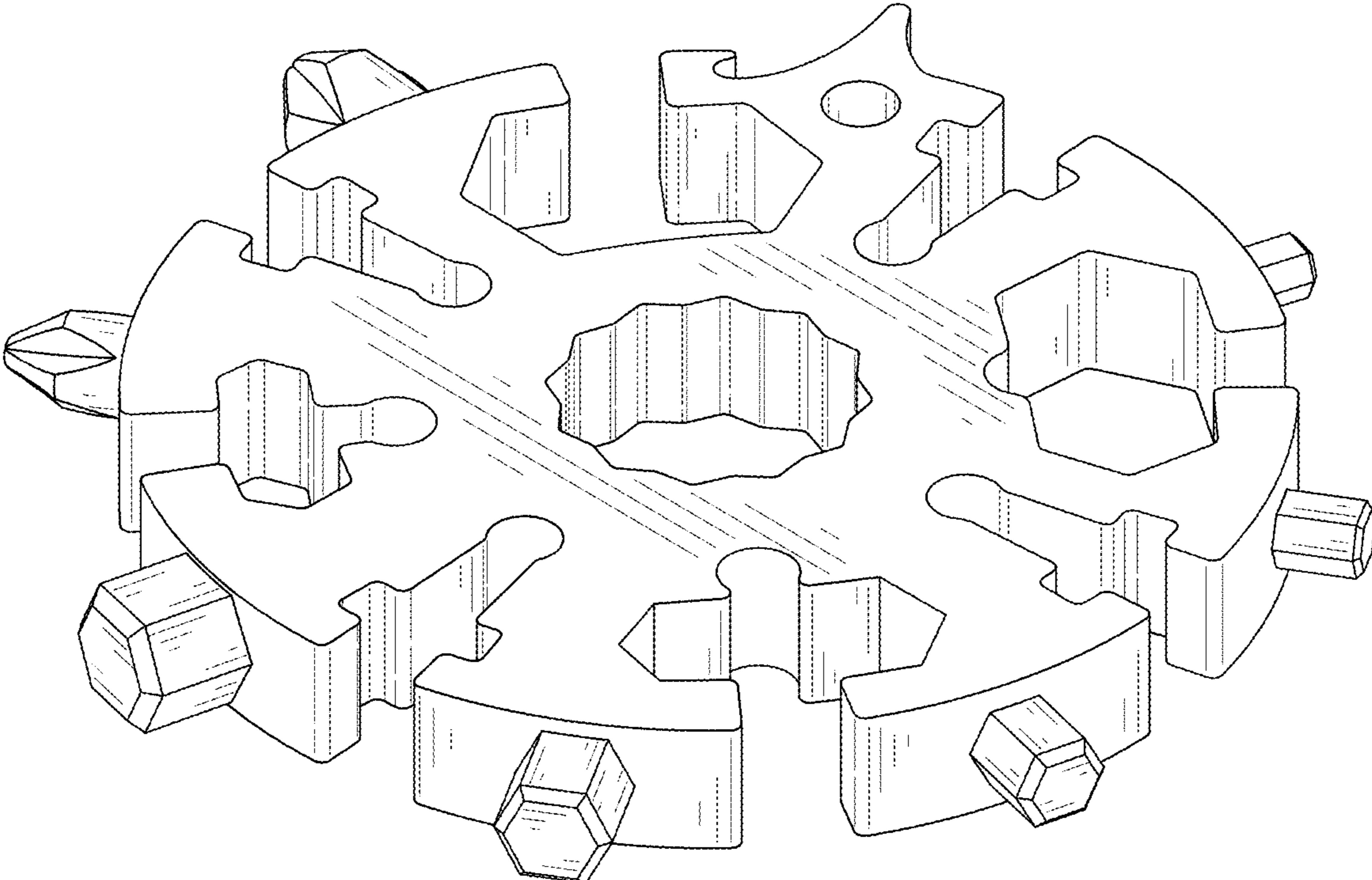


FIG. 2

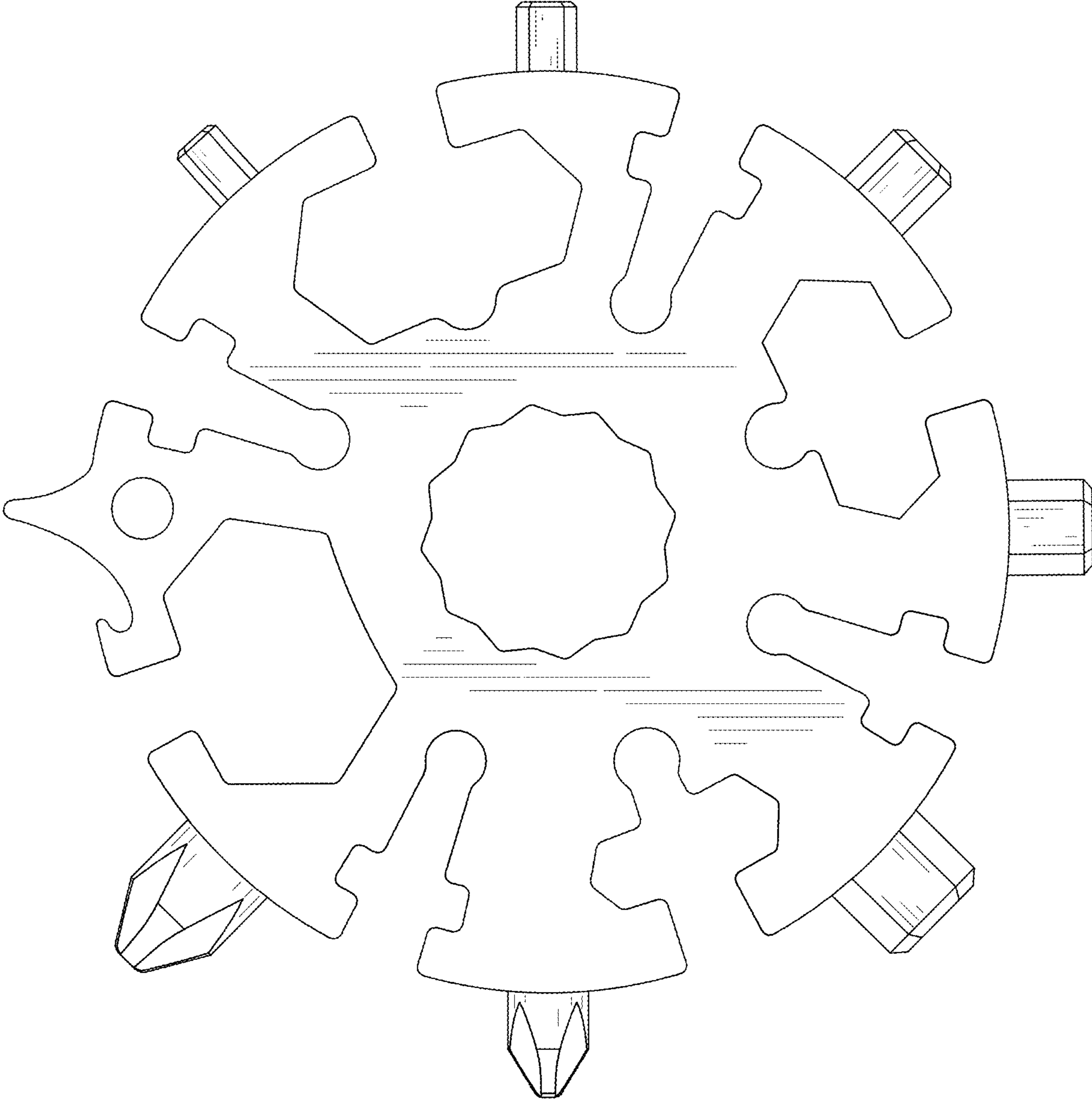


FIG. 3

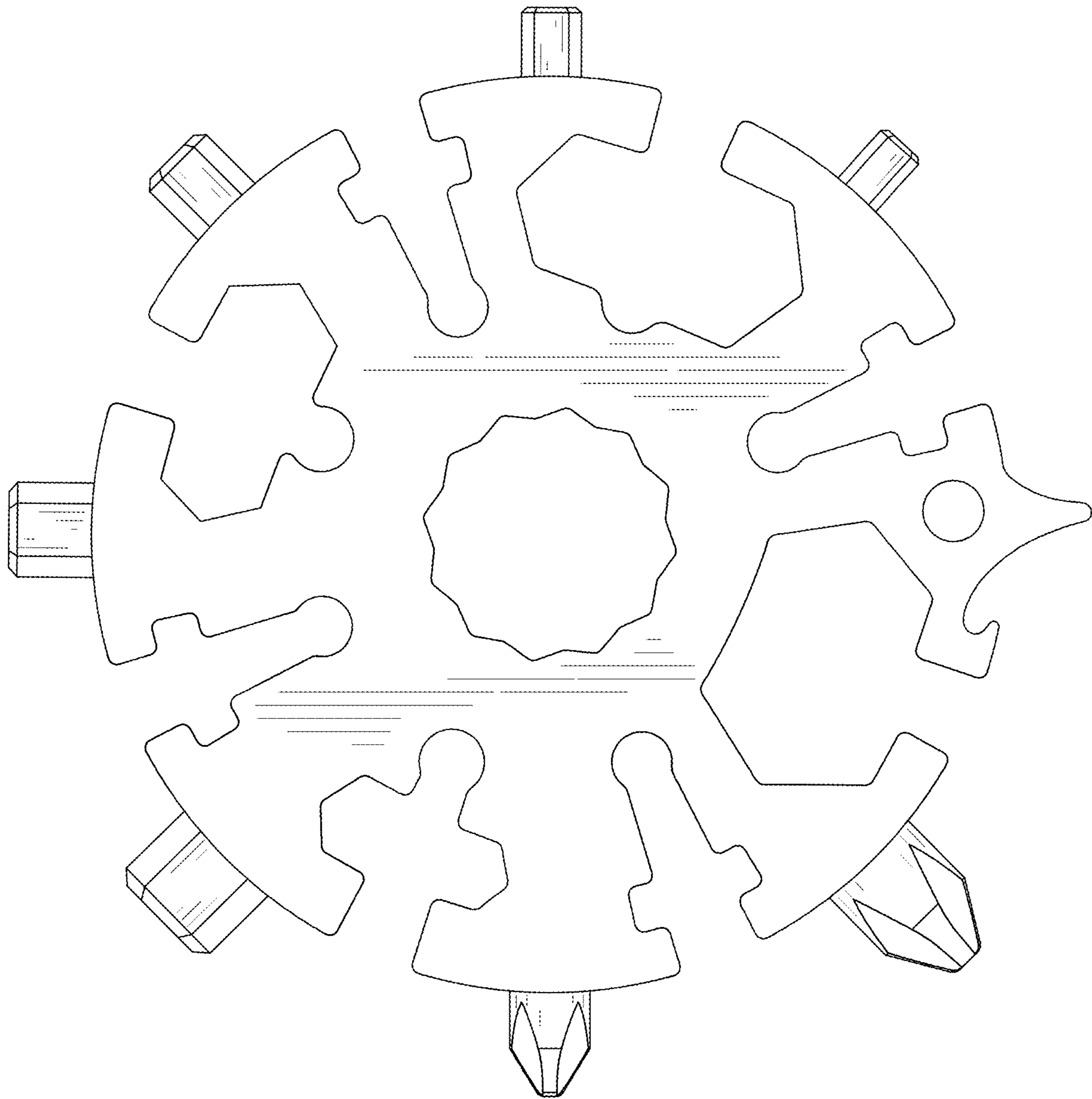


FIG. 4

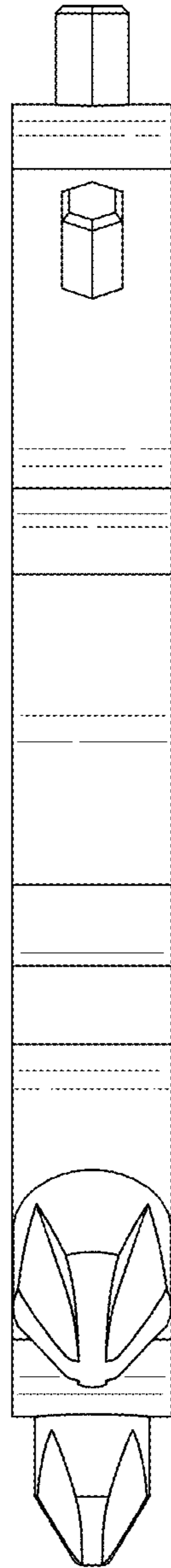


FIG. 5

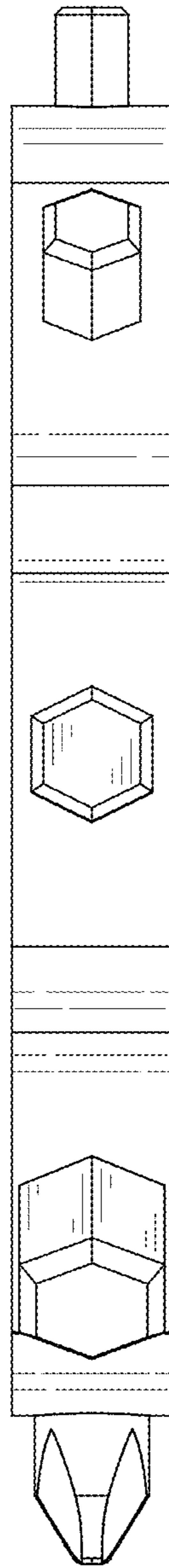


FIG. 6

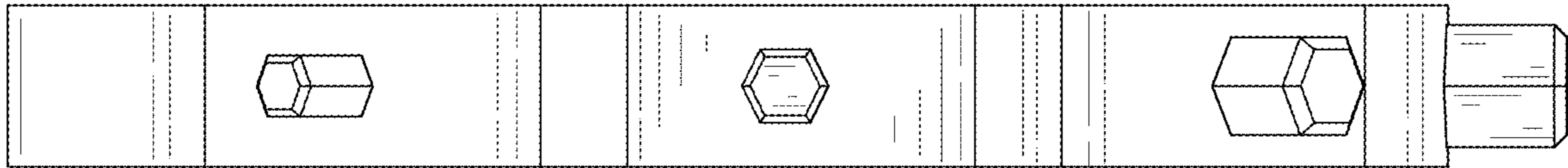


FIG. 7



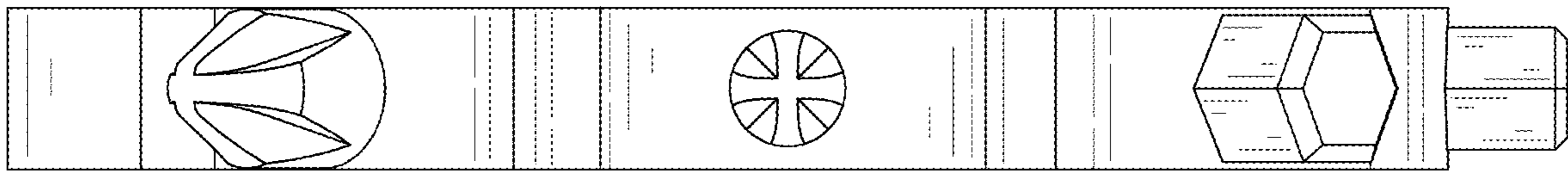


FIG. 8