



US00D885159S

(12) **United States Design Patent** (10) **Patent No.:** **US D885,159 S**
Bar (45) **Date of Patent:** **** May 26, 2020**

(54) **MULTI-PURPOSE TOOL**

(71) Applicant: **C.B. Innovation Ltd.**, Nofit (IL)

(72) Inventor: **Yaniv Bar**, Nofit (IL)

(73) Assignee: **C.B. Innovation Ltd.**, Nofit (IL)

(**) Term: **15 Years**

(21) Appl. No.: **29/574,327**

(22) Filed: **Aug. 15, 2016**

(30) **Foreign Application Priority Data**

Feb. 15, 2016 (IL) 58082

(51) **LOC (12) Cl.** **08-05**

(52) **U.S. Cl.**
USPC **D8/105**

(58) **Field of Classification Search**
USPC D8/16-21, 33, 40, 89, 105, 26, 85, 87,
D8/81, 98; D3/208, 210, 211; D10/86;
D29/124

(Continued)

(56) **References Cited**

U.S. PATENT DOCUMENTS

D464,168 S * 10/2002 Reynolds D27/142

D549,069 S * 8/2007 Lin D8/105

(Continued)

Primary Examiner — Janice Hallmark

(74) *Attorney, Agent, or Firm* — Eitan, Mehulal Sadot

(57) **CLAIM**

The ornamental design for a multi-purpose tool, as shown and described.

DESCRIPTION

FIG. 1 is a perspective view of a multi-purpose tool showing my new design in a closed state;

FIG. 2 is another perspective view thereof;
FIG. 3 is another perspective view thereof;
FIG. 4 is another perspective view thereof;
FIG. 5 is another perspective view thereof;
FIG. 6 is another perspective view thereof;
FIG. 7 is another perspective view thereof;
FIG. 8 is another perspective view thereof;
FIG. 9 is a side view thereof;
FIG. 10 is a front view thereof;
FIG. 11 is a rear view thereof;
FIG. 12 is another side view thereof;
FIG. 13 is a top view thereof;
FIG. 14 is a bottom view thereof;
FIG. 15 is a perspective view of the multi-purpose tool of FIG. 1 in an alternate configuration, showing the shovel element in a partially open state;
FIG. 16 is another perspective view thereof;
FIG. 17 is another perspective view thereof;
FIG. 18 is another perspective view thereof;
FIG. 19 is a rear view thereof;
FIG. 20 is a front view thereof;
FIG. 21 is a side view thereof;
FIG. 22 is another side view thereof;
FIG. 23 is a top view thereof;
FIG. 24 is a bottom view thereof;
FIG. 25 is a perspective view of the multi-purpose tool of FIG. 1 in an alternate configuration, showing the shovel element in a fully open state;
FIG. 26 is another perspective view thereof;
FIG. 27 is another perspective view thereof;
FIG. 28 is another perspective view thereof;
FIG. 29 is a rear view thereof;
FIG. 30 is a front view thereof;
FIG. 31 is a side view thereof;
FIG. 32 is another side view thereof;
FIG. 33 is a top view thereof;
FIG. 34 is a bottom view thereof;
FIG. 35 is a perspective view of the multi-purpose tool of FIG. 1 in an alternate configuration, showing the axe element in open state;
FIG. 36 is a perspective view thereof;
FIG. 37 is another perspective view thereof;
FIG. 38 is another perspective view thereof;

(Continued)

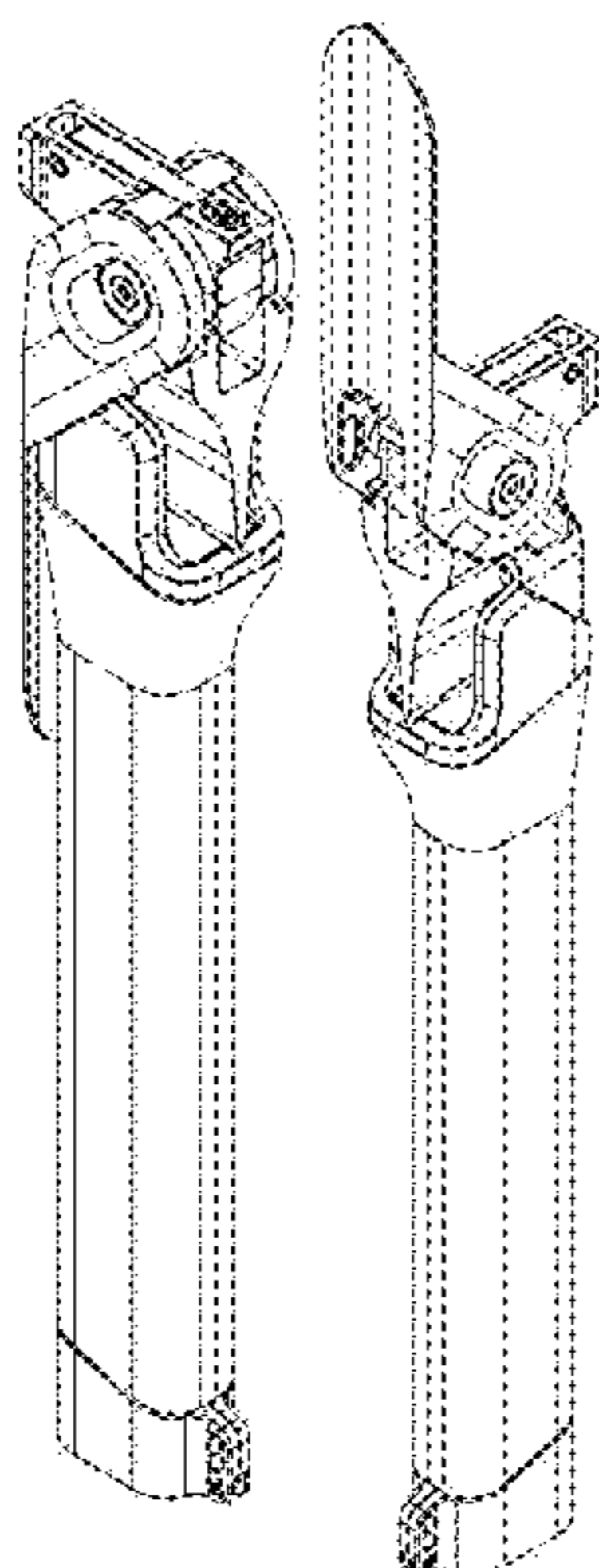


FIG. 39 is another perspective view thereof;
 FIG. 40 is another perspective view thereof;
 FIG. 41 is another perspective view thereof;
 FIG. 42 is a side view thereof;
 FIG. 43 is another side view thereof;
 FIG. 44 is a front view thereof;
 FIG. 45 is a rear view thereof;
 FIG. 46 is a top view thereof;
 FIG. 47 is a bottom view thereof;
 FIG. 48 is a perspective view of the saw element of the multi-purpose tool of FIG. 1, shown in a closed state and shown removed from the multi-purpose tool for clarity of disclosure;
 FIG. 49 is another perspective view thereof;
 FIG. 50 is another perspective view thereof;
 FIG. 51 is another perspective view thereof;
 FIG. 52 is another perspective view thereof;
 FIG. 53 is another perspective view thereof;
 FIG. 54 is another perspective view thereof;
 FIG. 55 is another perspective view thereof;
 FIG. 56 is a side view thereof;
 FIG. 57 is a front view thereof;
 FIG. 58 is another side view thereof;
 FIG. 59 is a rear view thereof;
 FIG. 60 is a bottom view thereof;
 FIG. 61 is a top view thereof;
 FIG. 62 is a perspective view of the multi-purpose tool of FIG. 1 shown in an exploded state;
 FIG. 63 is another perspective view thereof;
 FIG. 64 is another perspective view thereof;
 FIG. 65 is another perspective view thereof;

FIG. 66 is another perspective view thereof; and,
 FIG. 67 is a side view thereof.

1 Claim, 15 Drawing Sheets

(58) **Field of Classification Search**
 CPC B25F 1/006; A62B 3/00
 See application file for complete search history.

(56) **References Cited**

U.S. PATENT DOCUMENTS

D557,100	S	*	12/2007	Stokes	D8/105
D577,980	S	*	10/2008	Mihaelson	D8/105
D630,080	S	*	1/2011	Seeds	D8/105
D630,924	S	*	1/2011	Steineckert	D8/105
D658,962	S	*	5/2012	Green	D8/105
D660,677	S	*	5/2012	Sutter	D8/105
D696,921	S	*	1/2014	Sutter	D8/105
D705,682	S	*	5/2014	Stowers	D10/113.4
D710,670	S	*	8/2014	Oakley	D8/105
D711,207	S	*	8/2014	Seeds	D8/105
D729,031	S	*	5/2015	Smith	D8/105
D731,278	S	*	6/2015	Cavanaugh	D8/105
D746,658	S	*	1/2016	Mihailides	D8/105
D755,603	S	*	5/2016	Reedy	D8/105
D761,631	S	*	7/2016	Jacobson	D8/105
D764,252	S	*	8/2016	Klecker	D8/105
D770,262	S	*	11/2016	Ancona	D8/105
D774,869	S	*	12/2016	Royes	D8/105
D782,893	S	*	4/2017	Mimlitch	D8/105

* cited by examiner

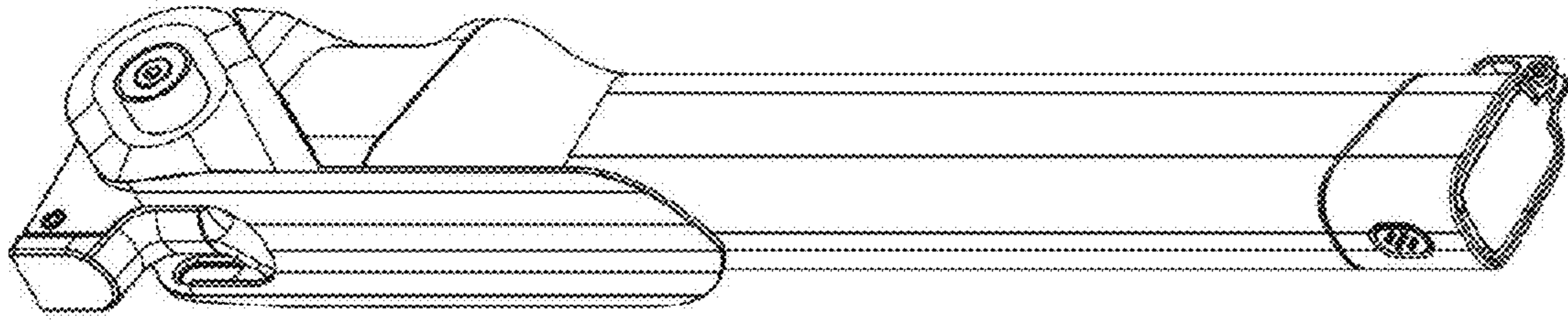


Fig.5

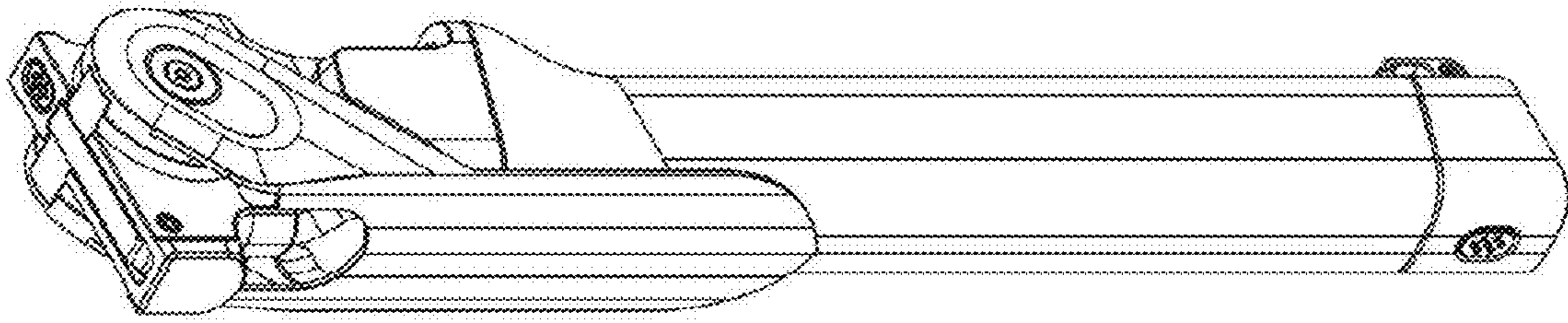


Fig.4

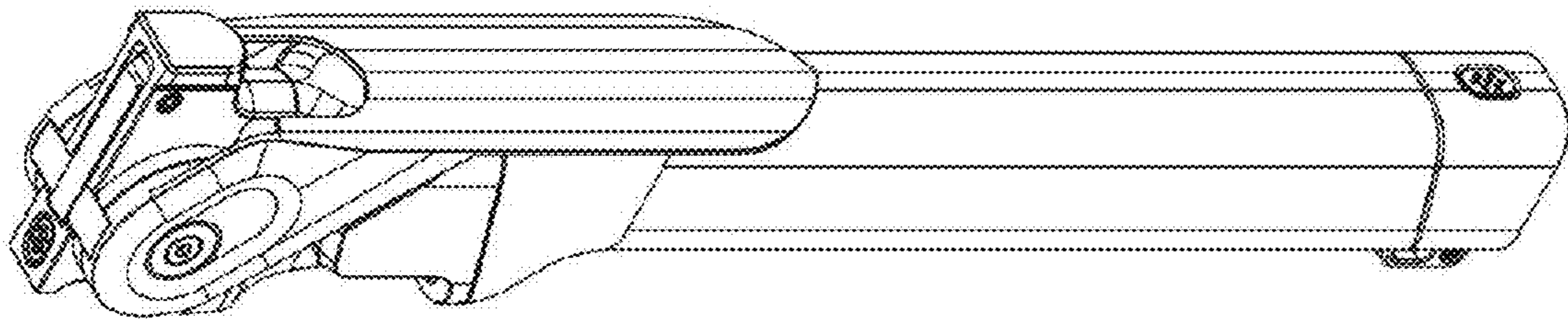


Fig.3

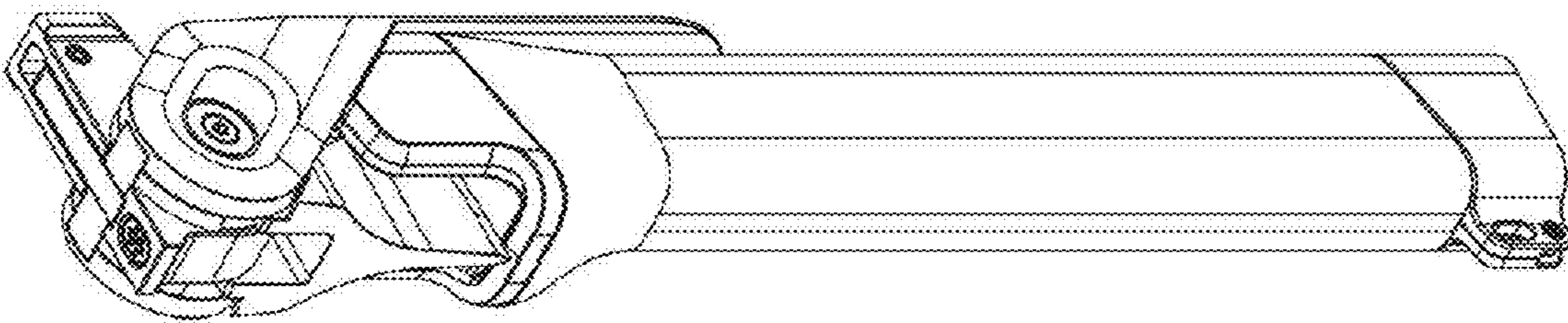


Fig.2

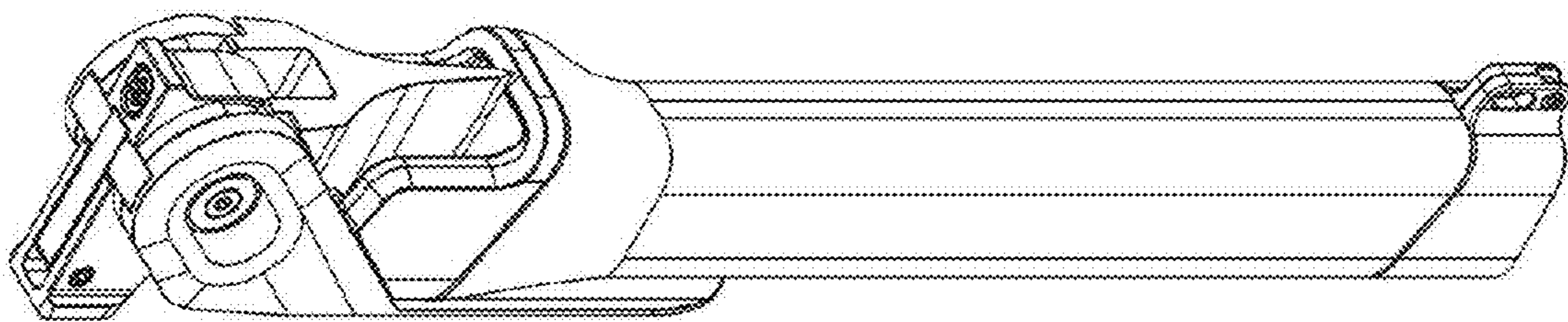


Fig.1

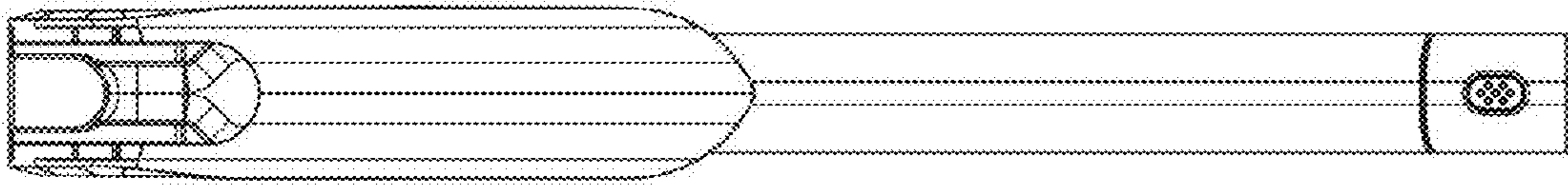


Fig.10

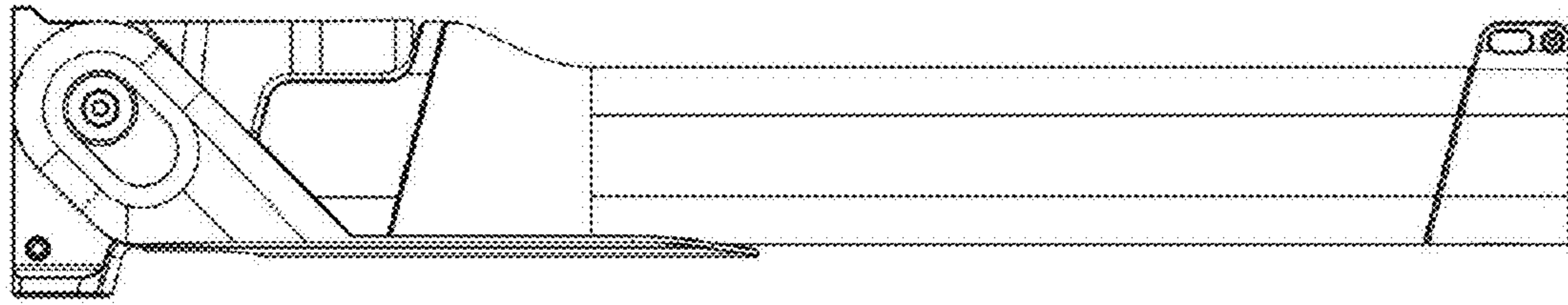


Fig.9

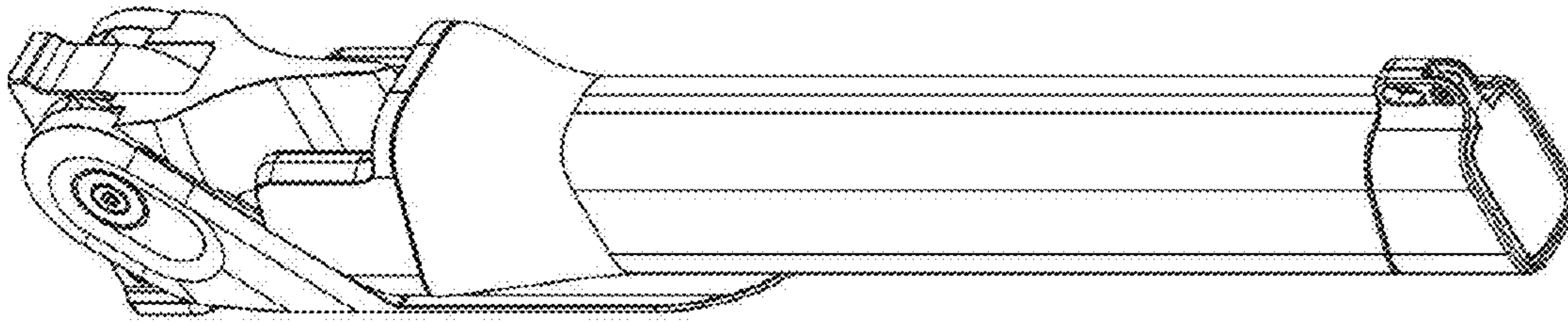


Fig.8

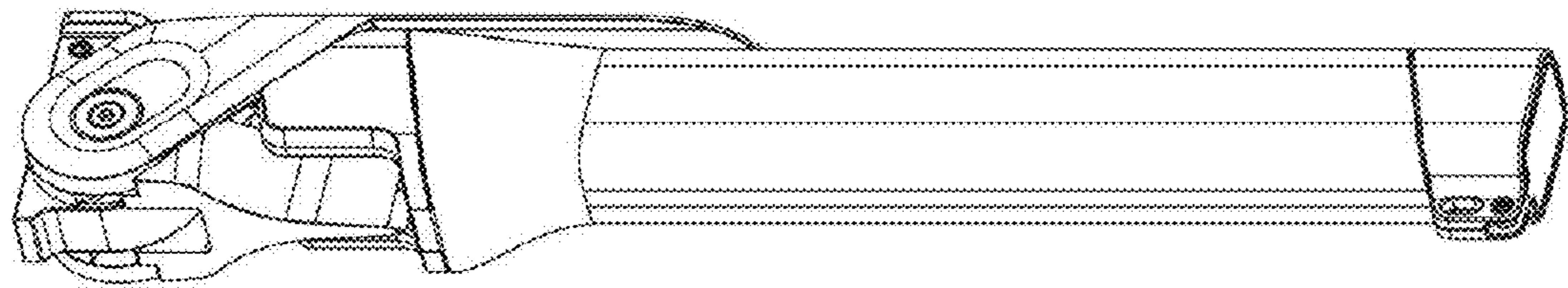


Fig.7

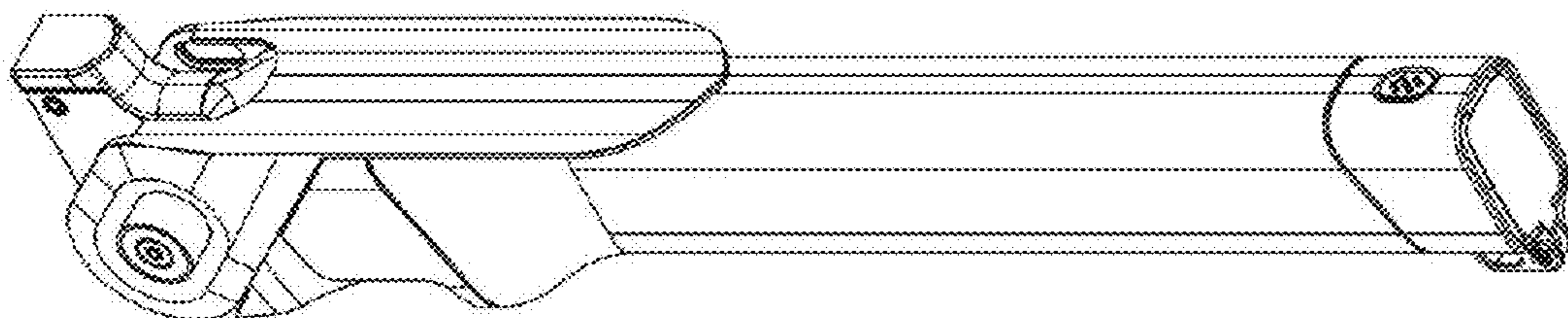


Fig.6

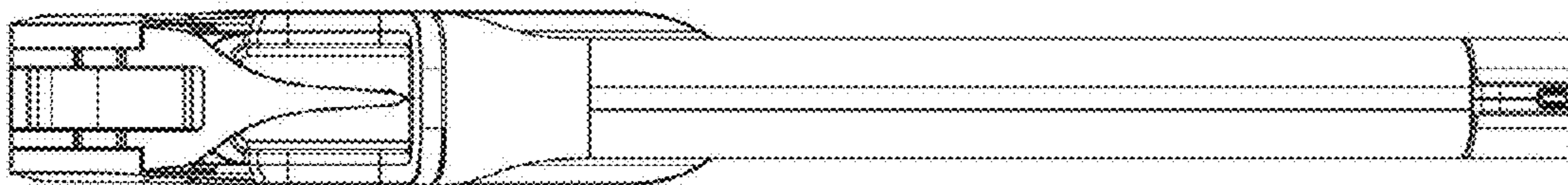


Fig. 11

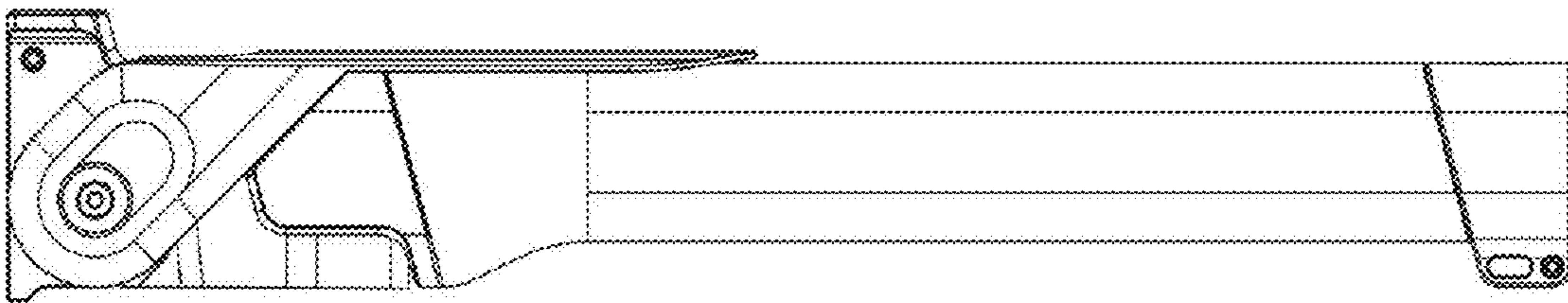


Fig. 12

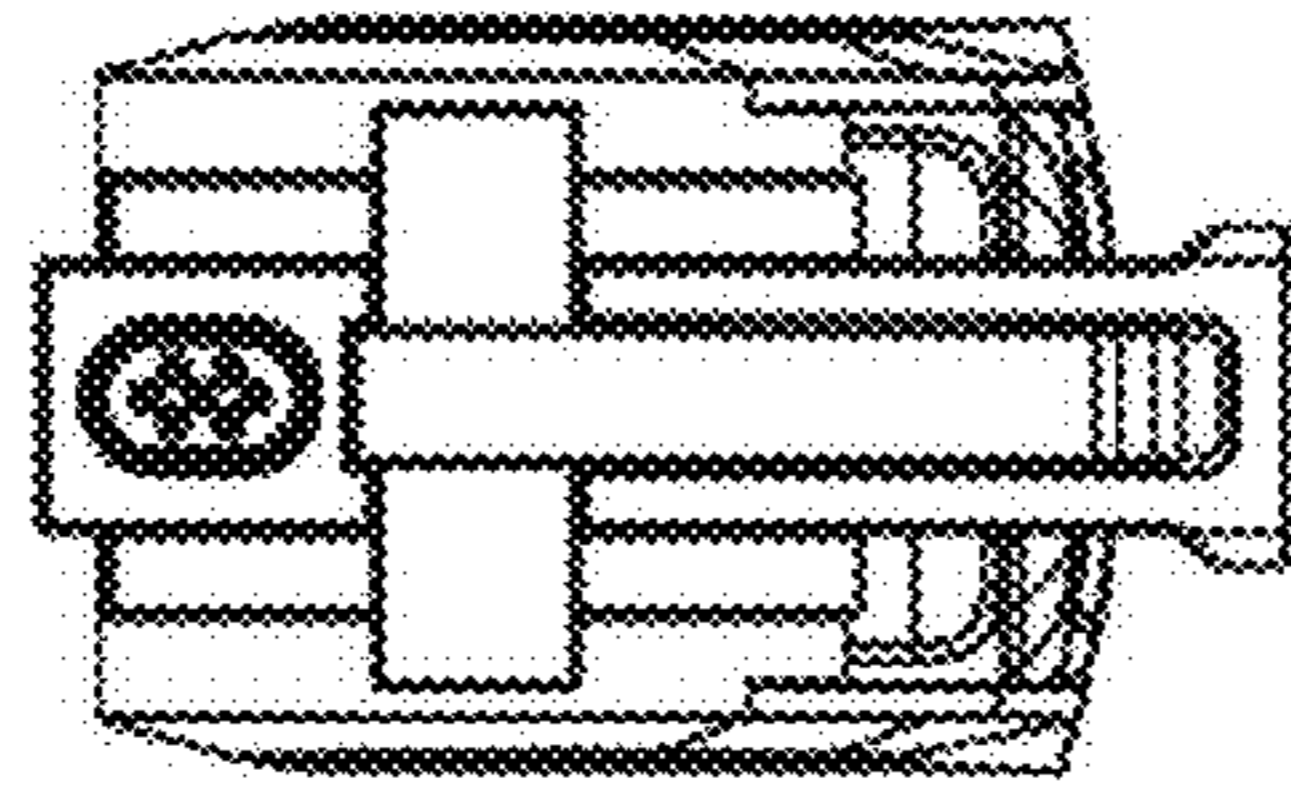


Fig. 13

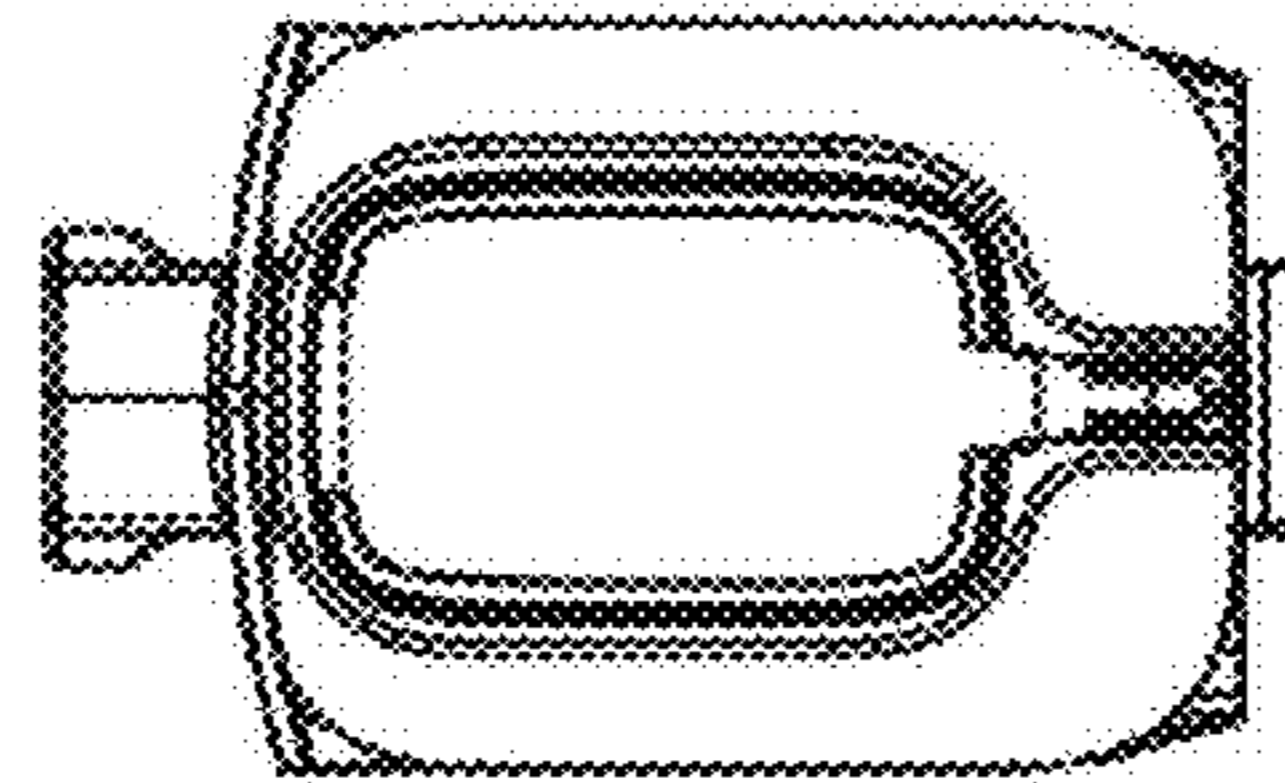


Fig. 14

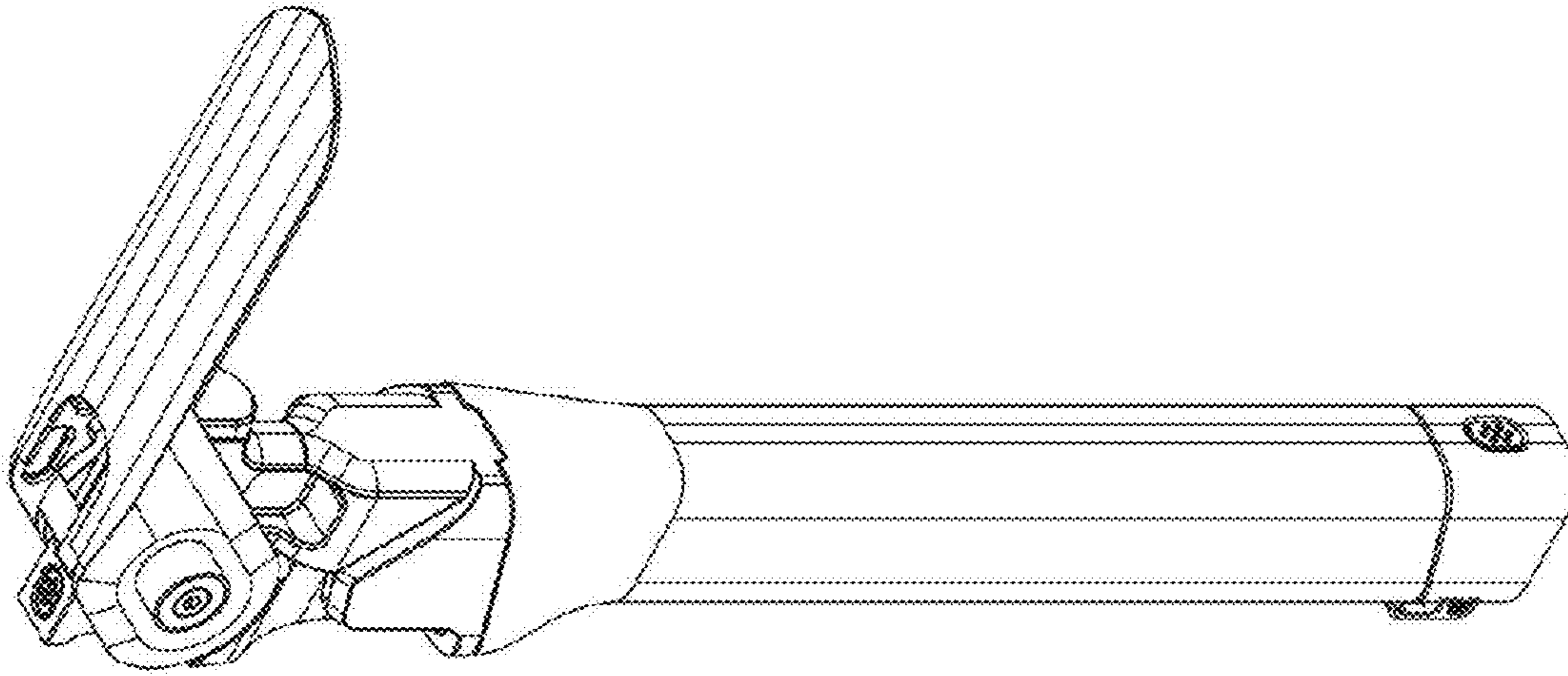


Fig.17

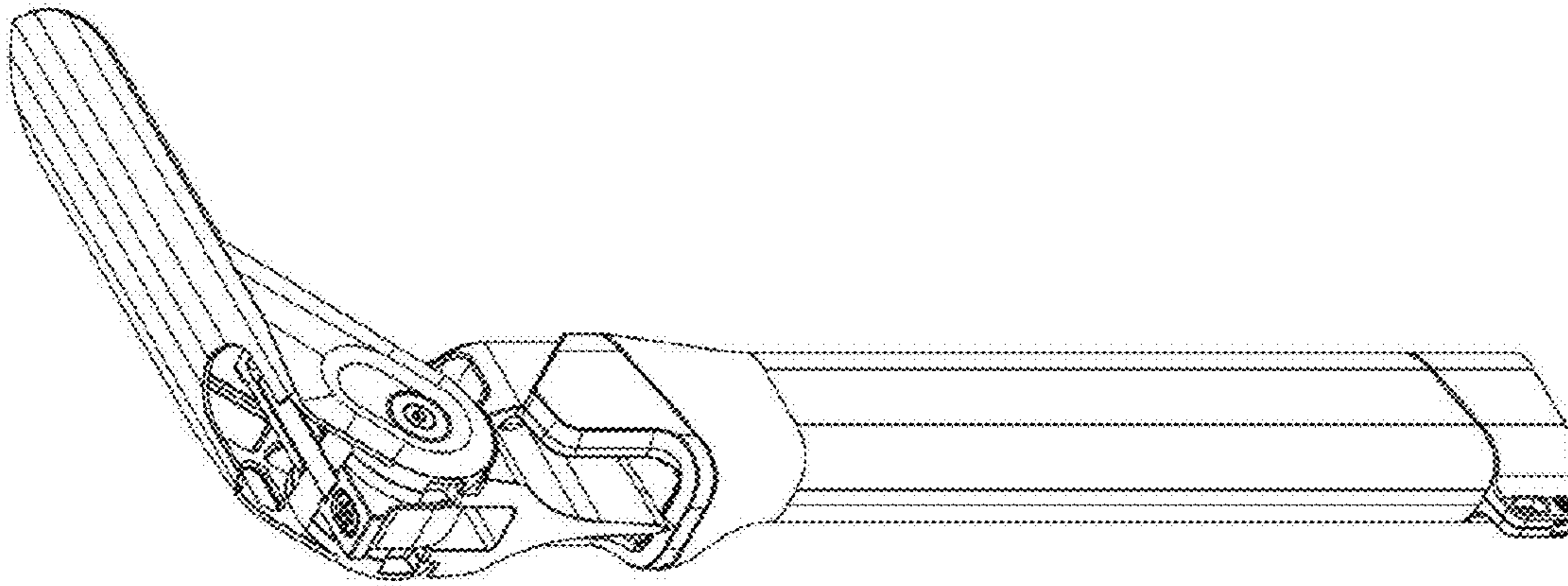


Fig.16

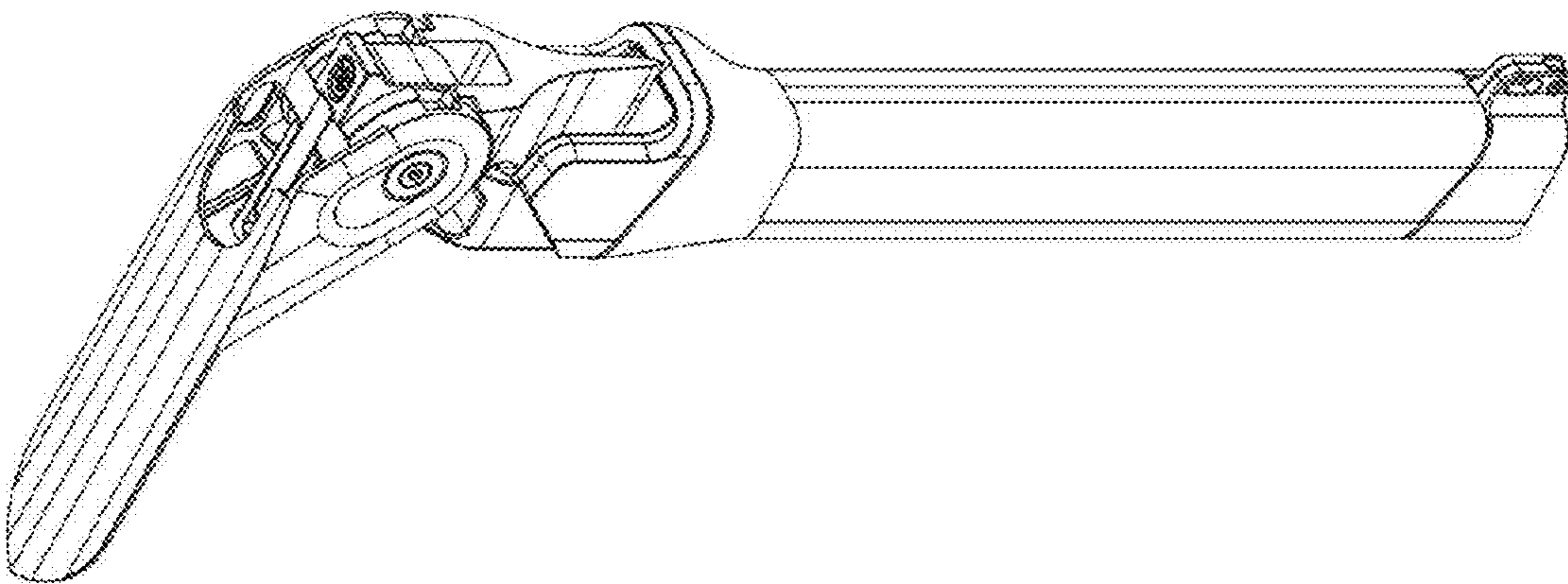


Fig.15

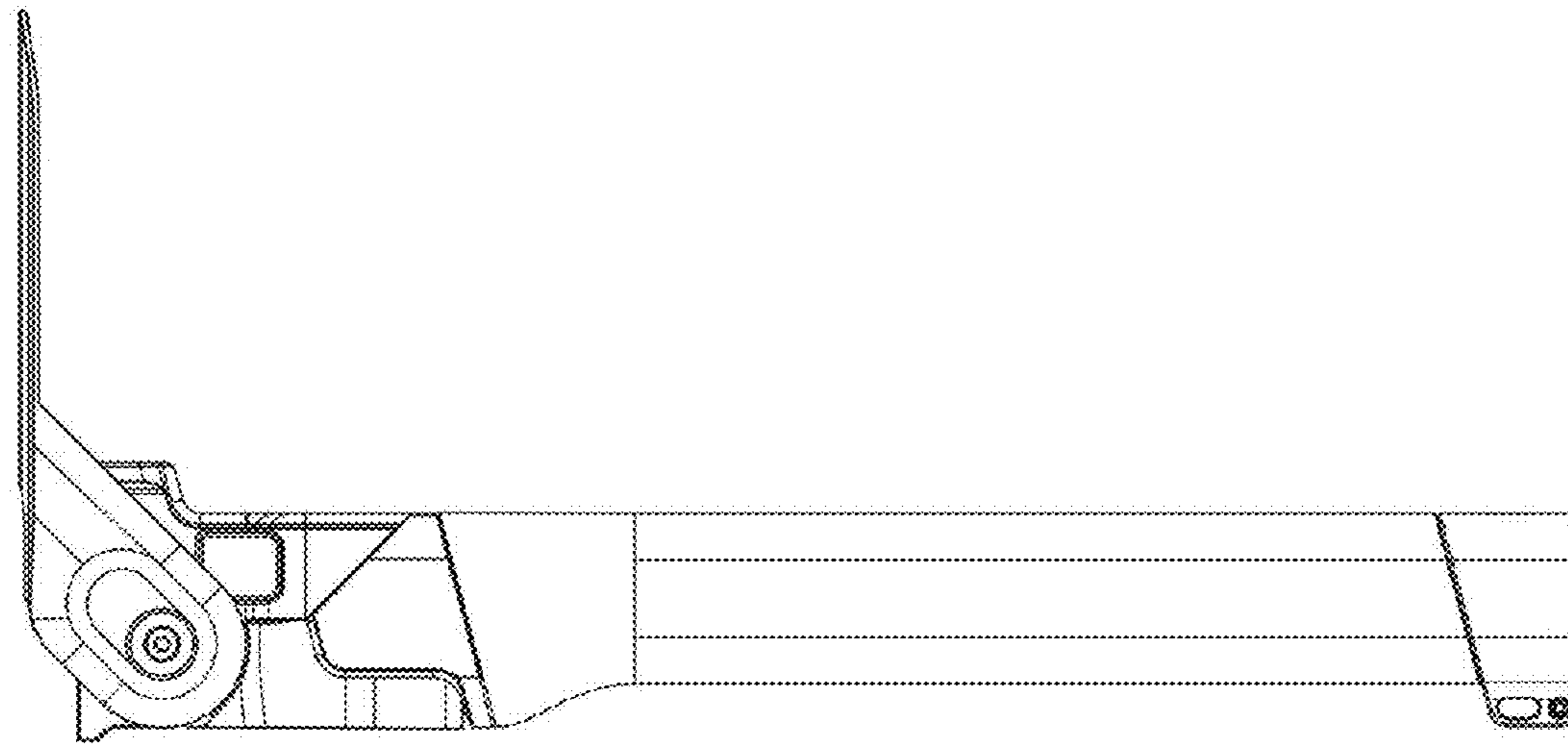


Fig. 21

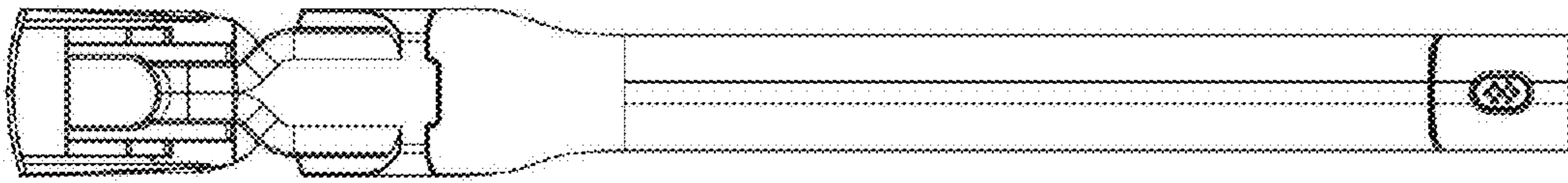


Fig. 20

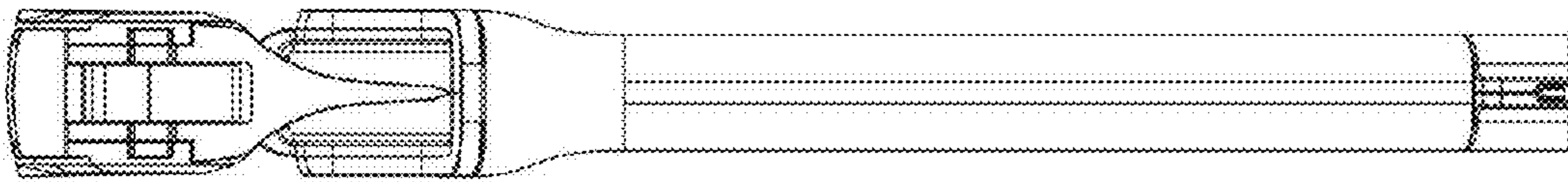


Fig. 19

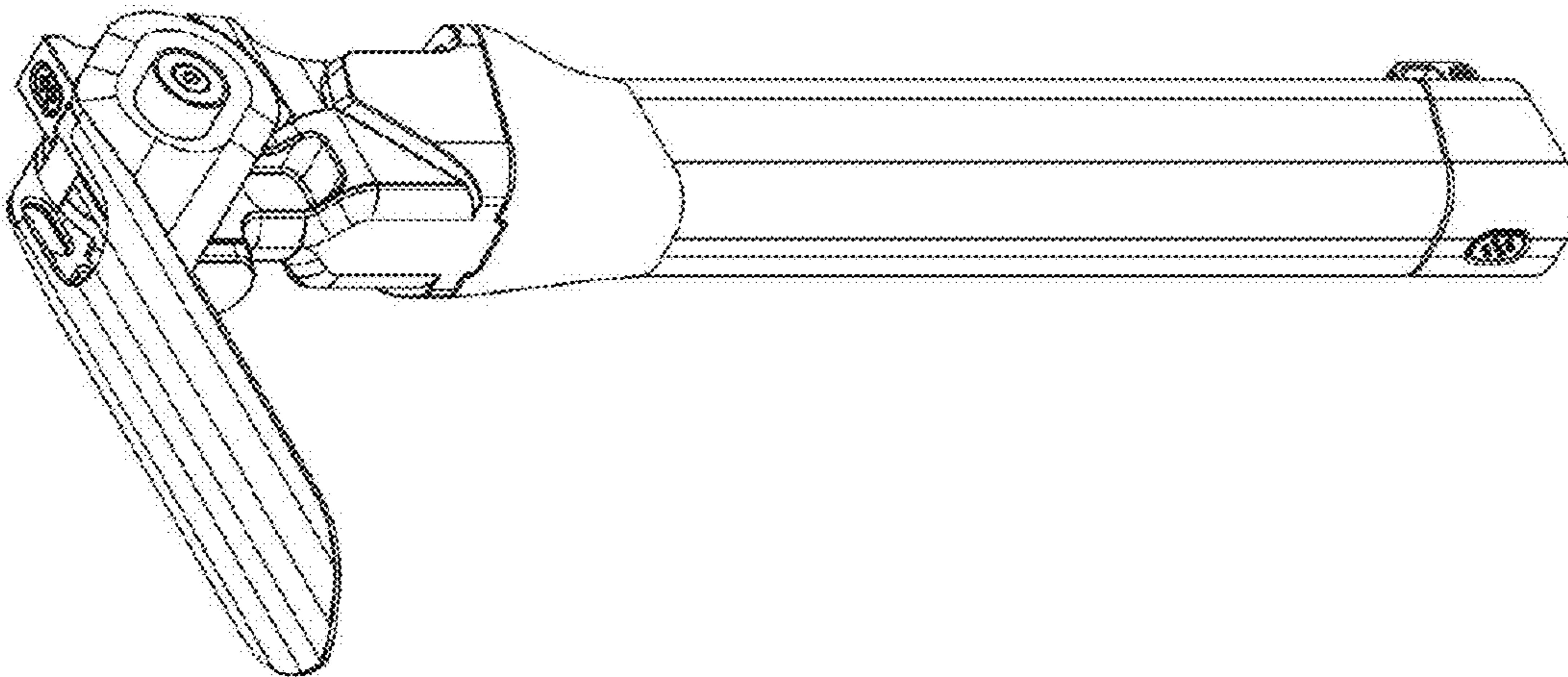


Fig. 18

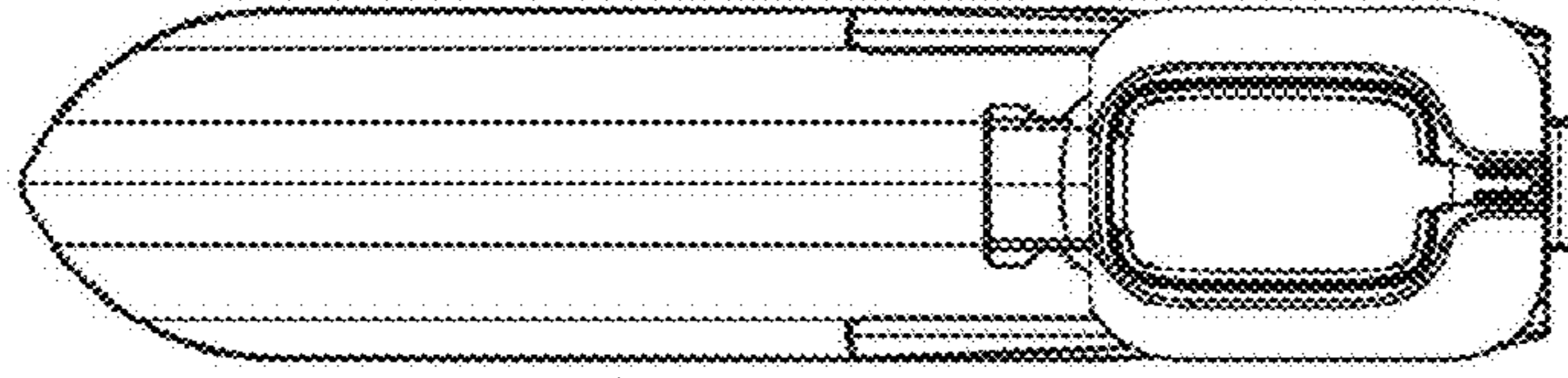


Fig.24

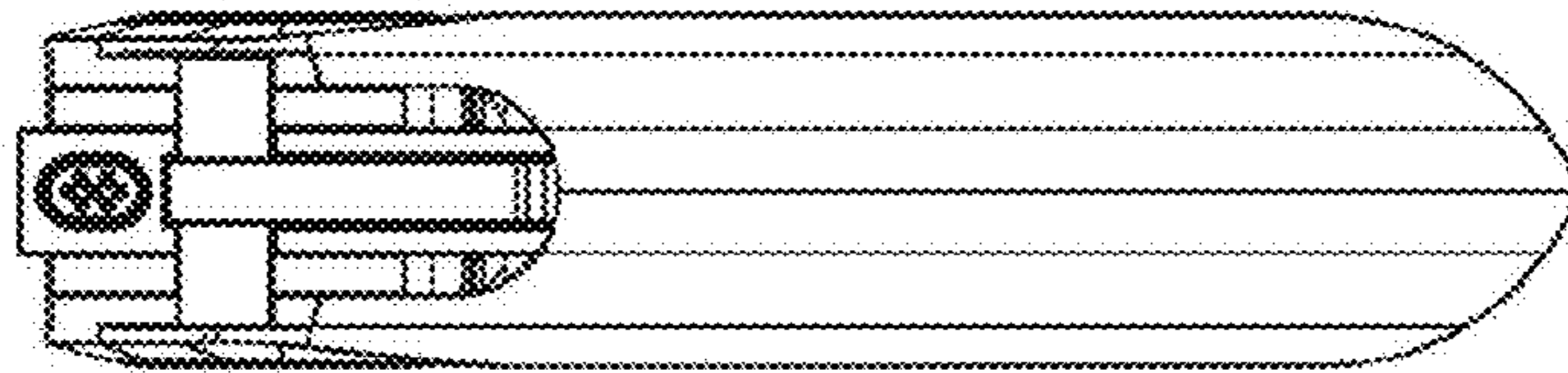


Fig.23

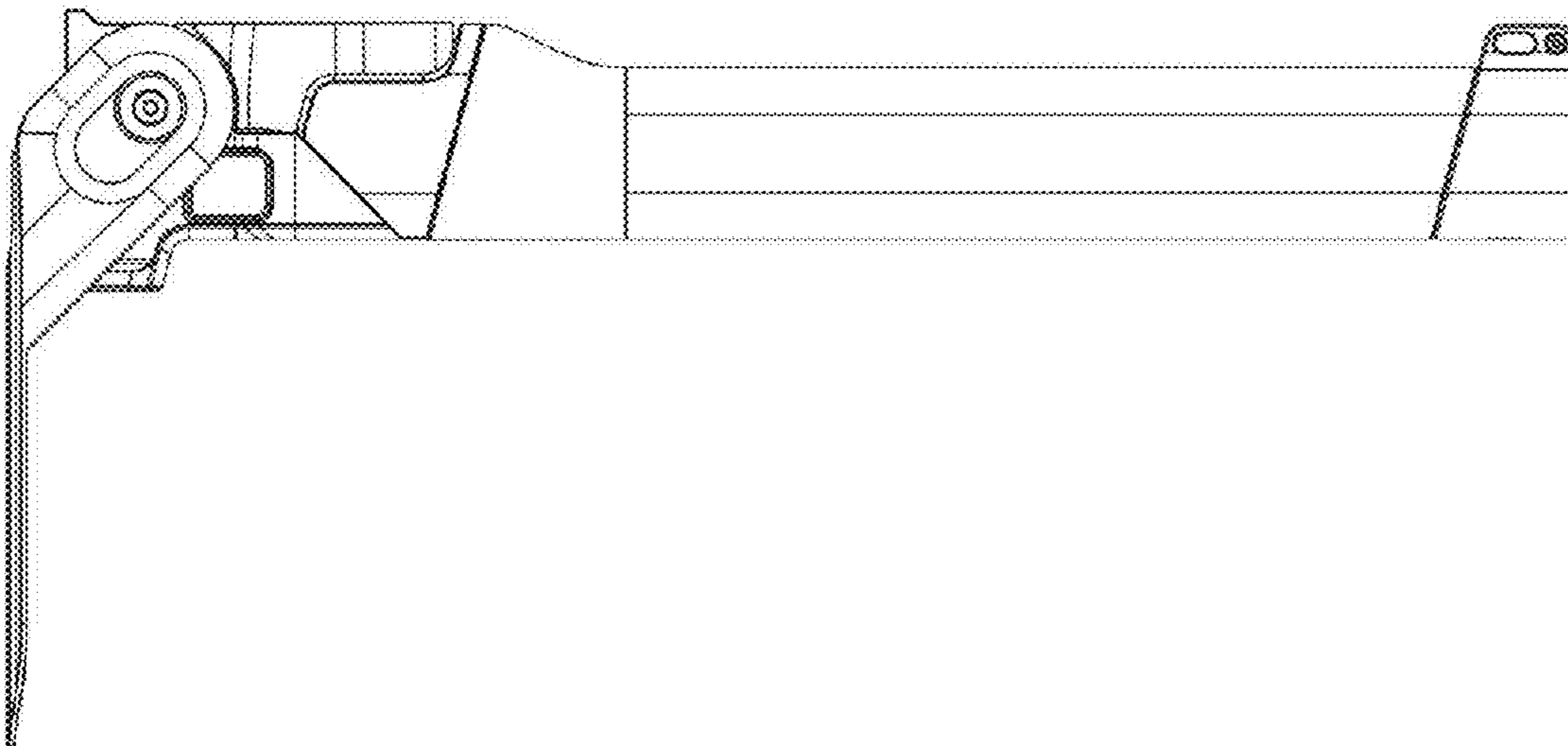


Fig.22

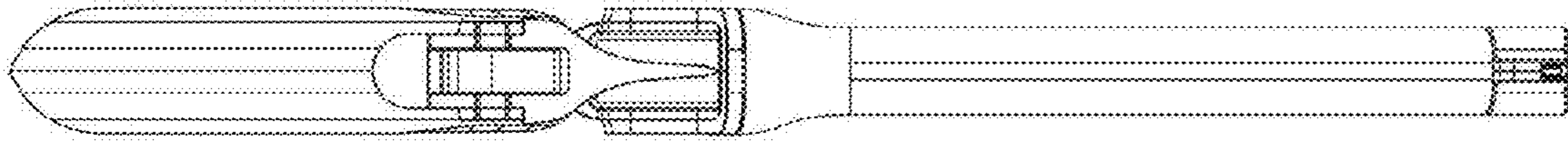


Fig.29

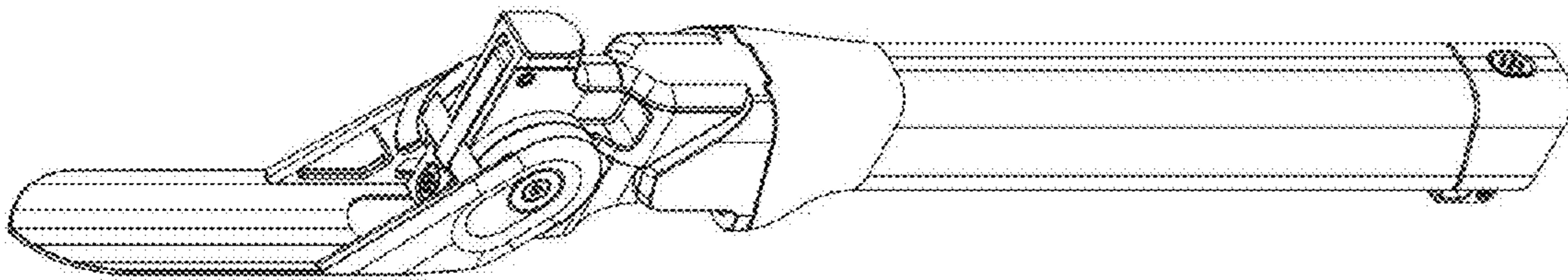


Fig.28

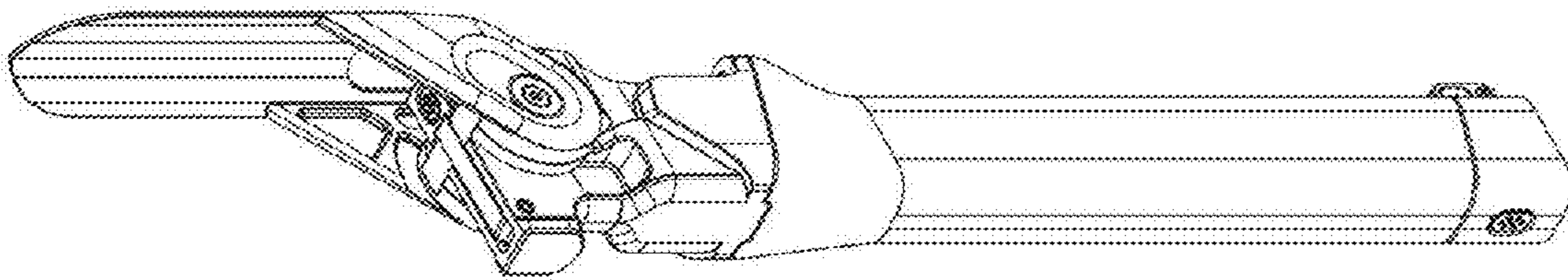


Fig.27

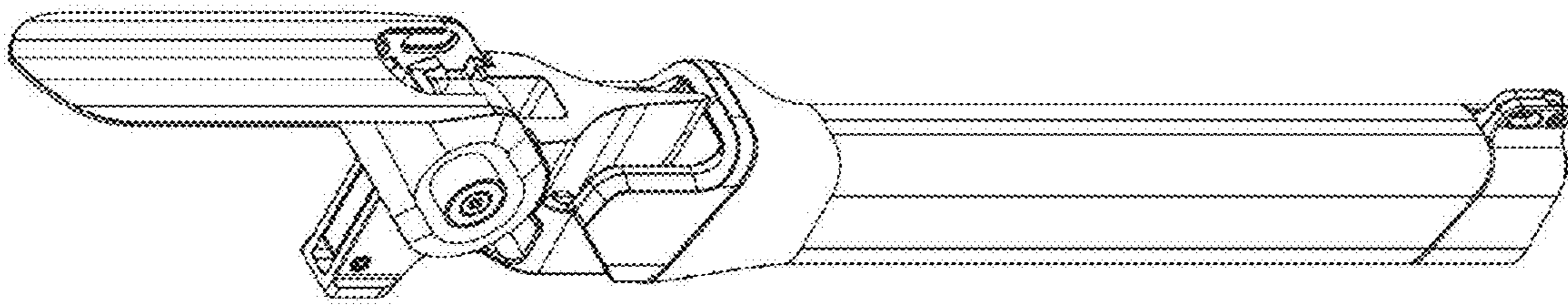


Fig.26

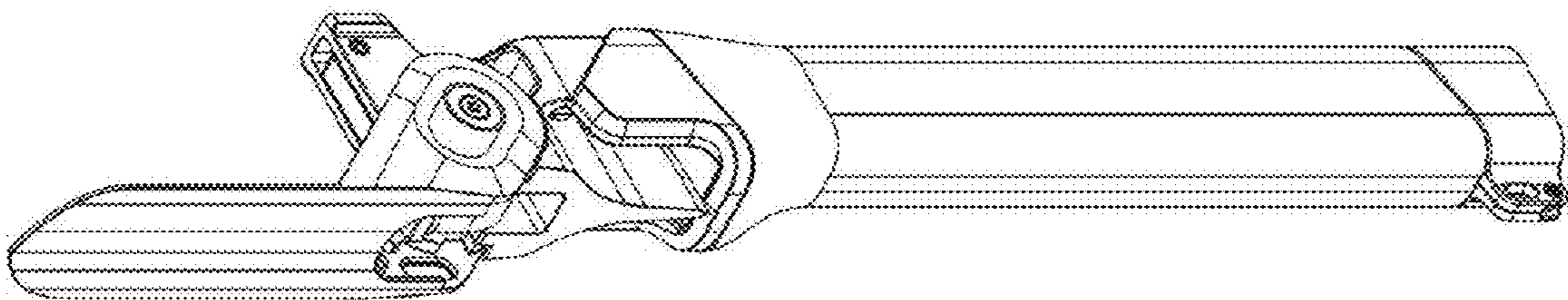


Fig.25

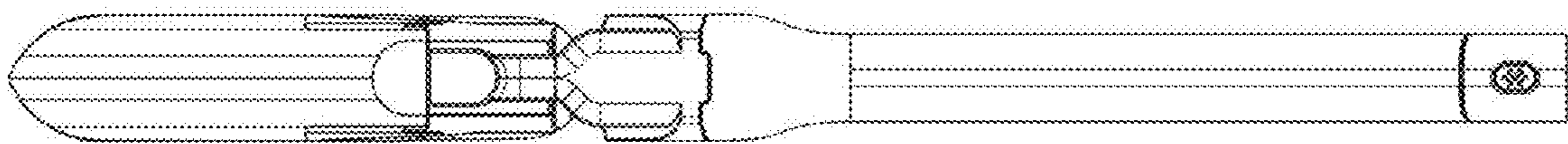


Fig.30

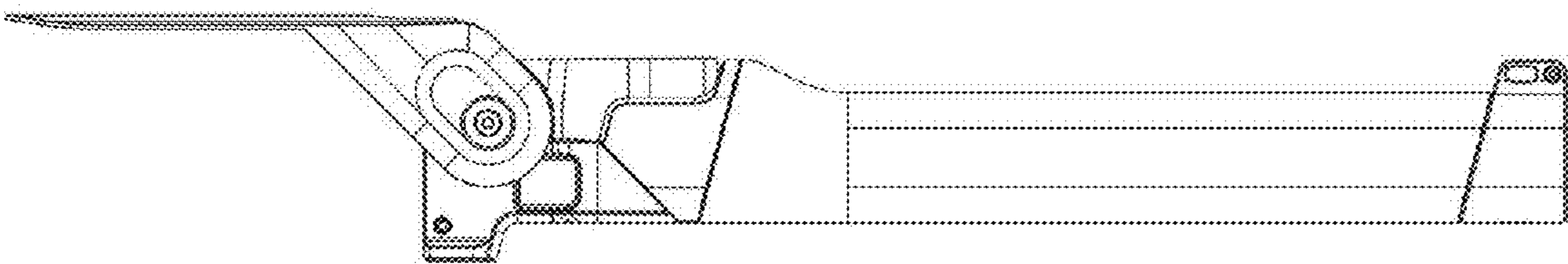


Fig.31

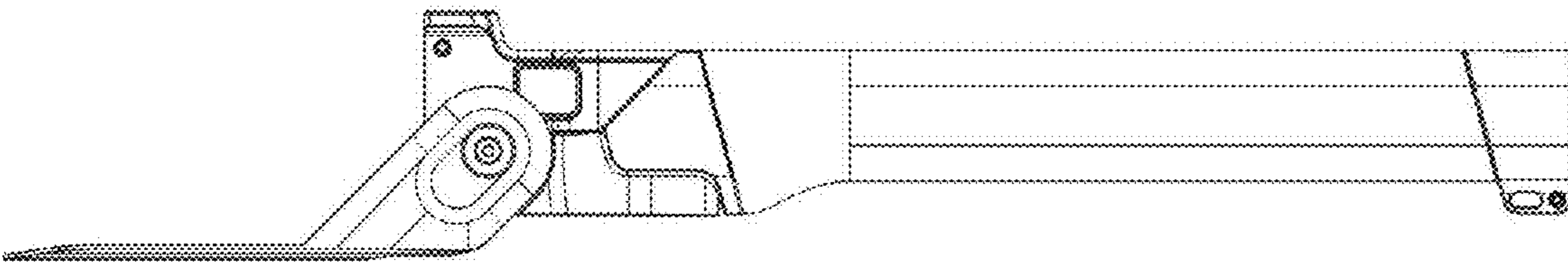


Fig.32

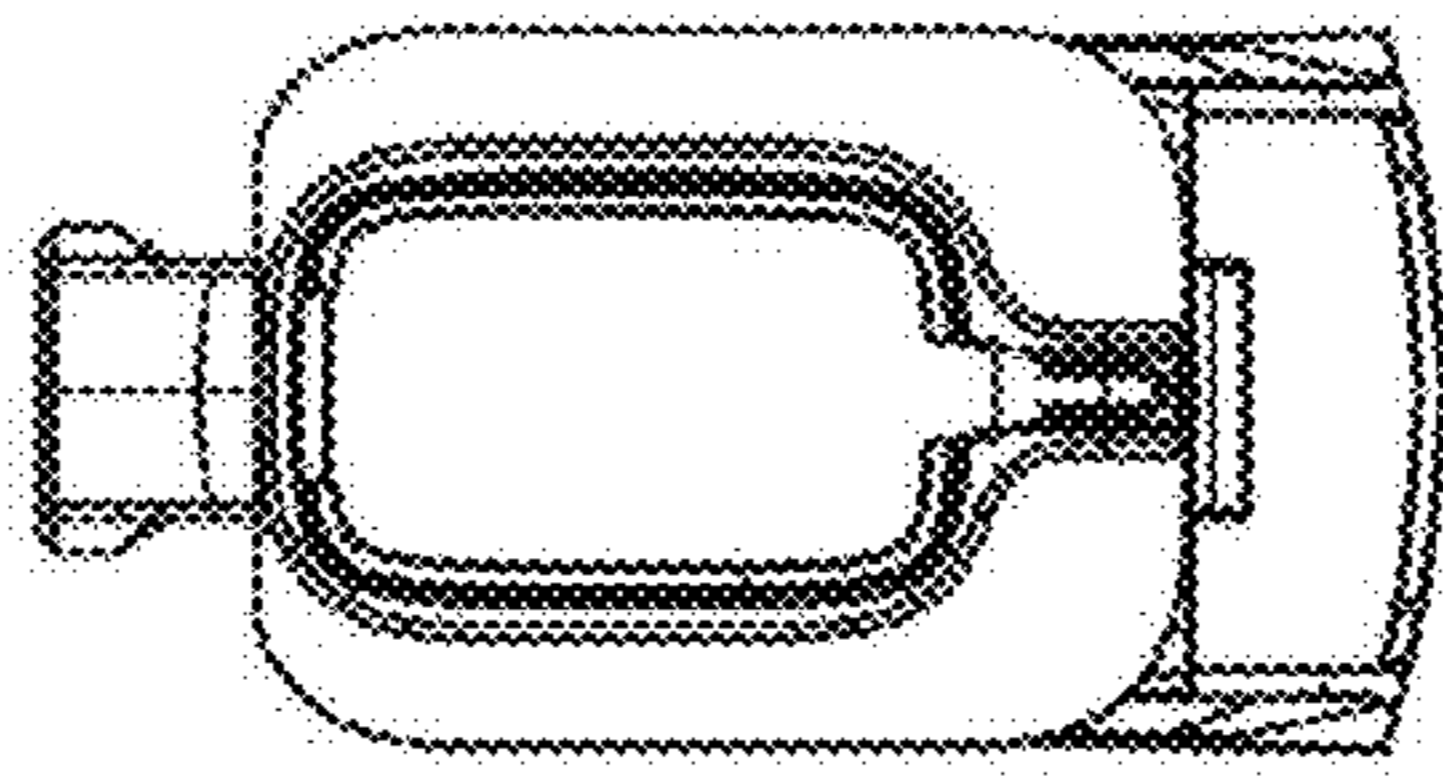


Fig.33

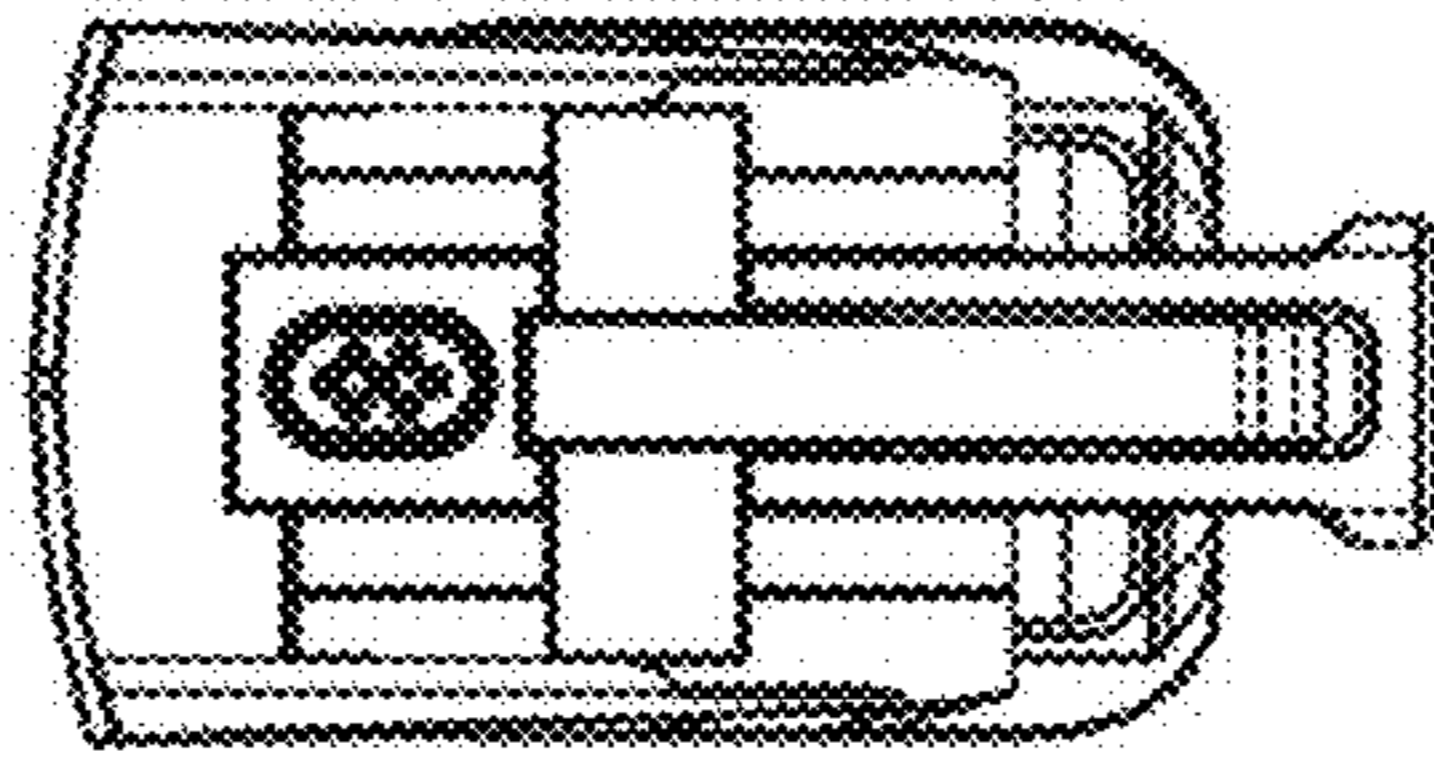


Fig.34

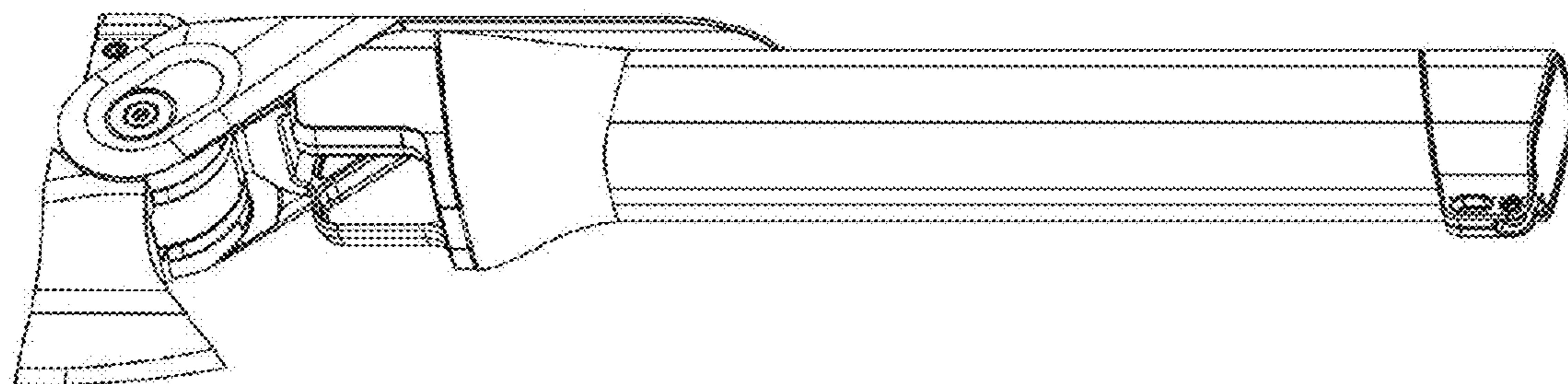


Fig.35

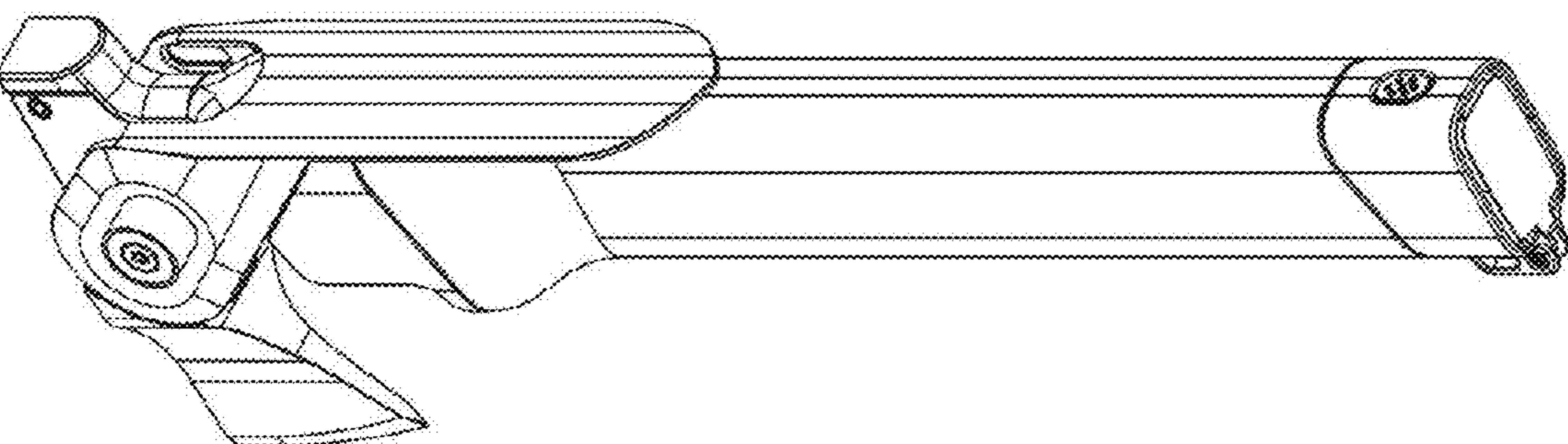


Fig.36

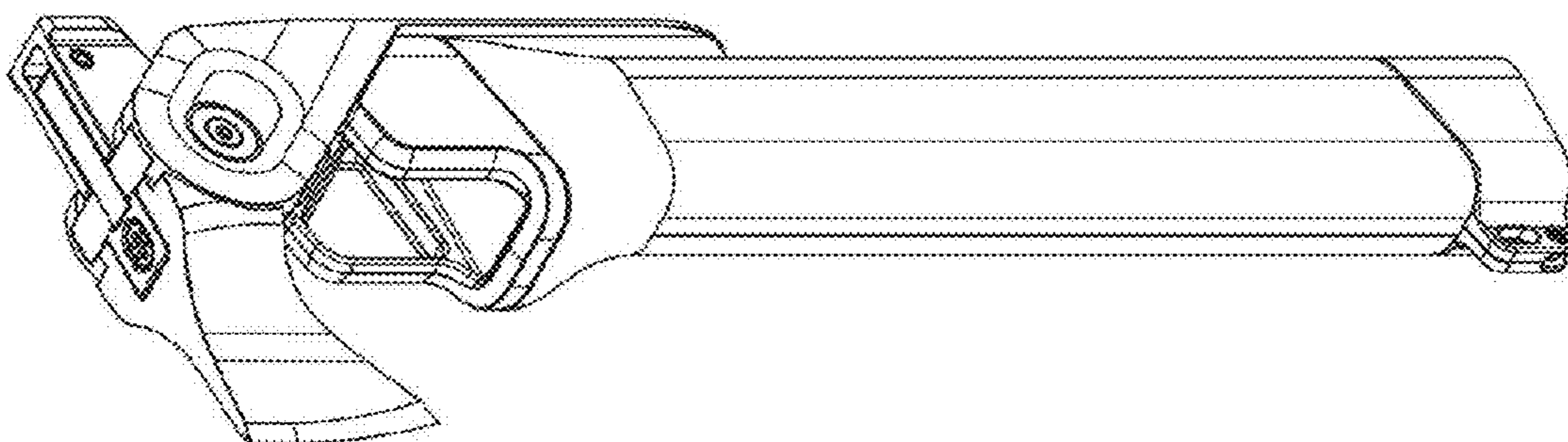


Fig.37

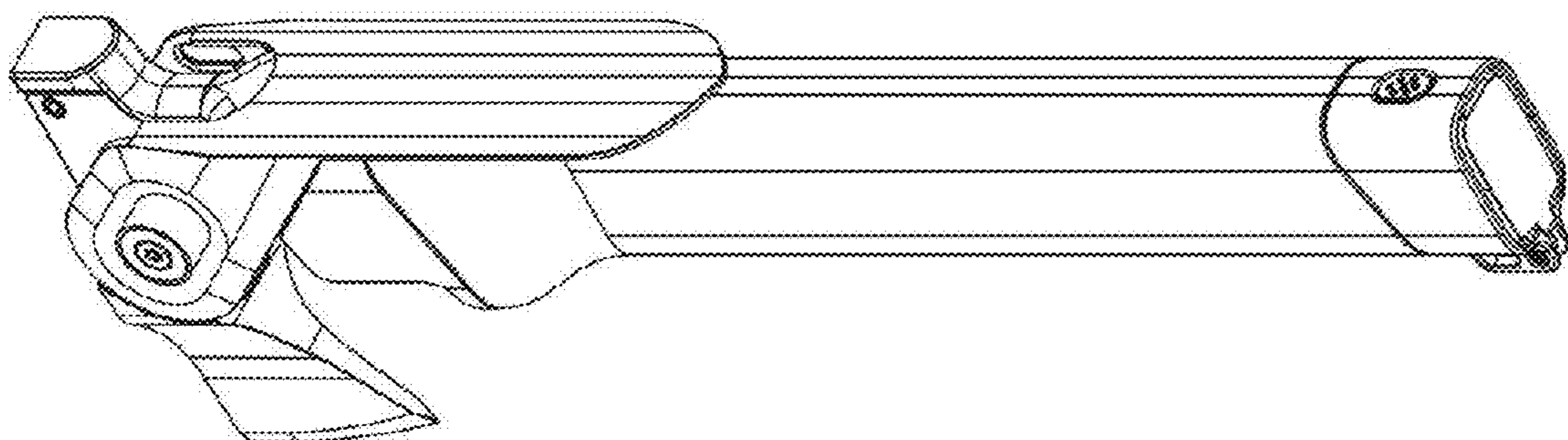


Fig.38

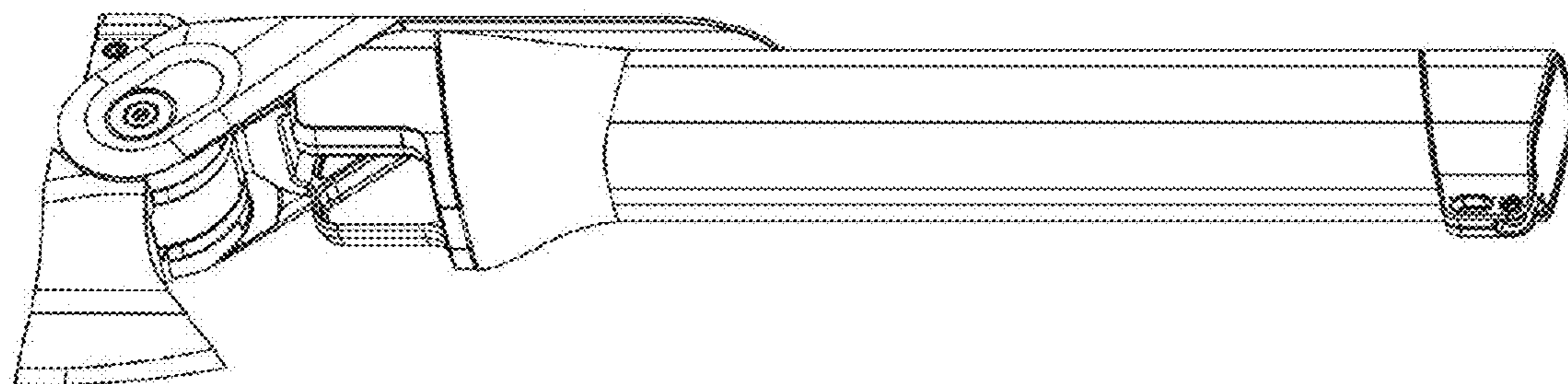


Fig.39

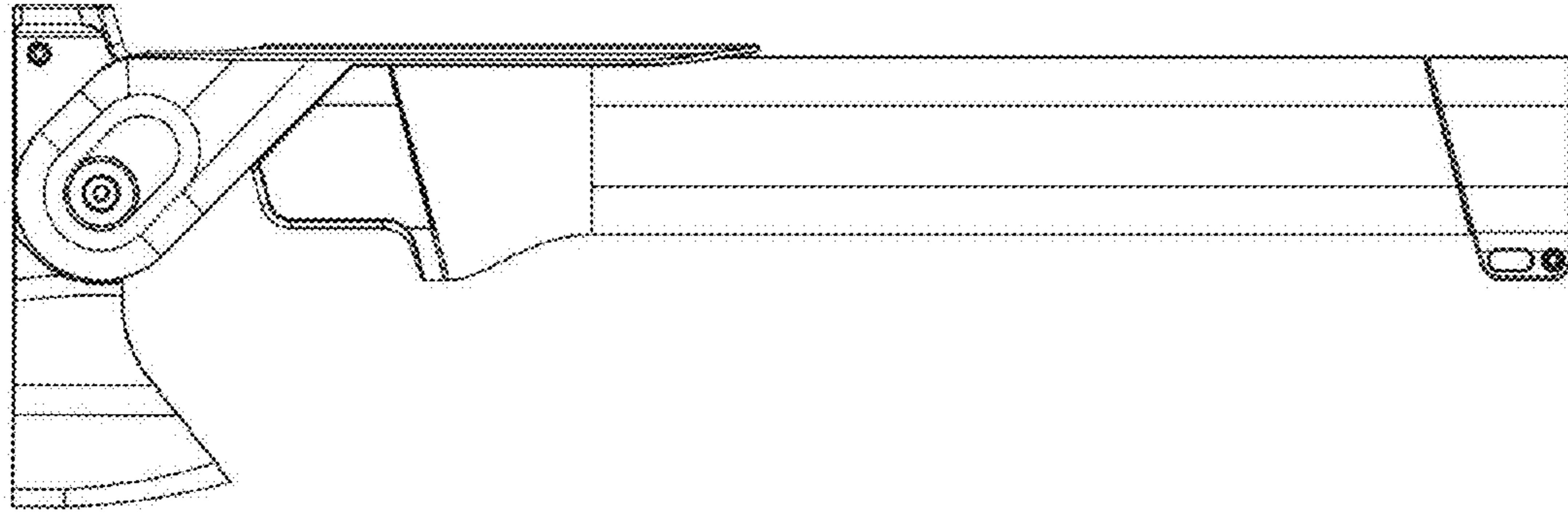


Fig.43

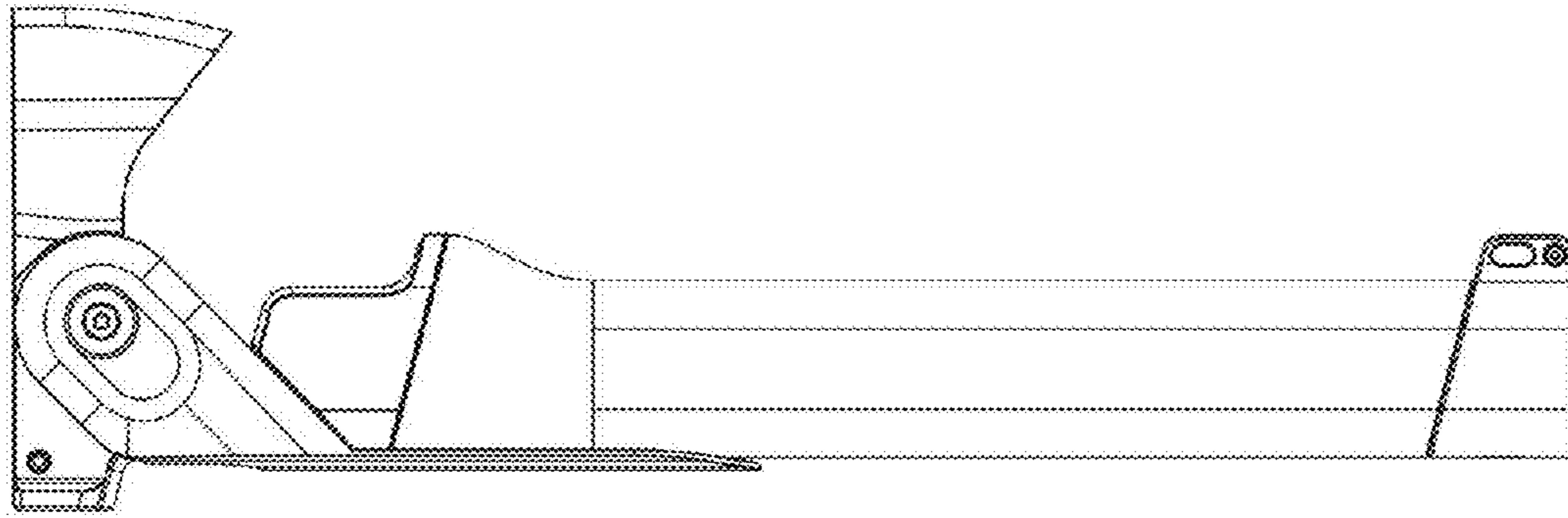


Fig.42

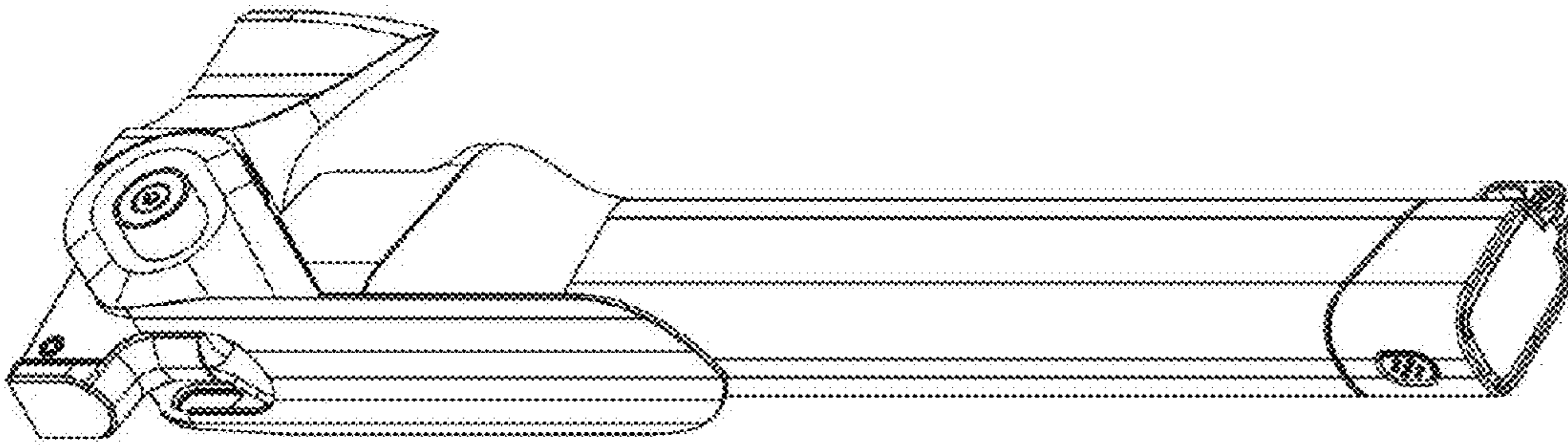


Fig.41

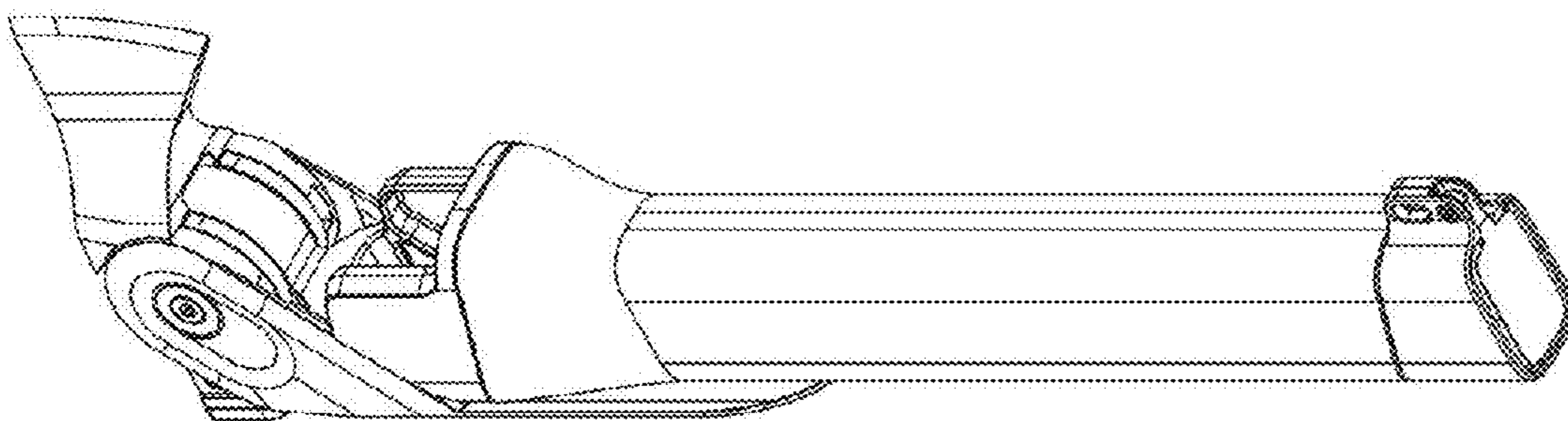


Fig.40

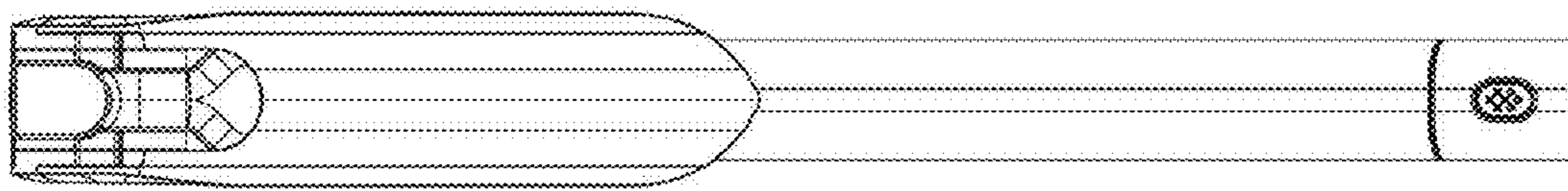


Fig. 44

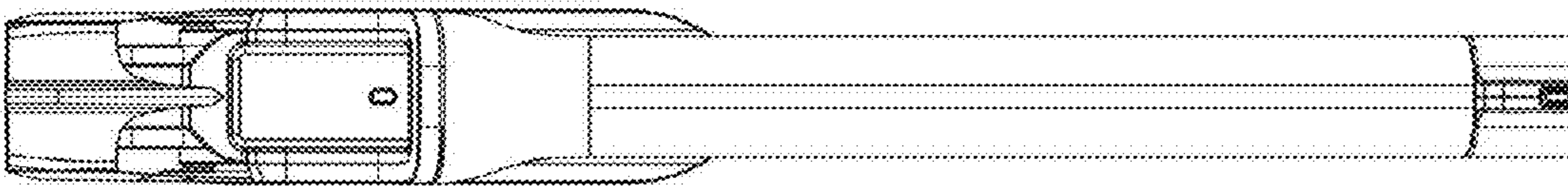


Fig. 45

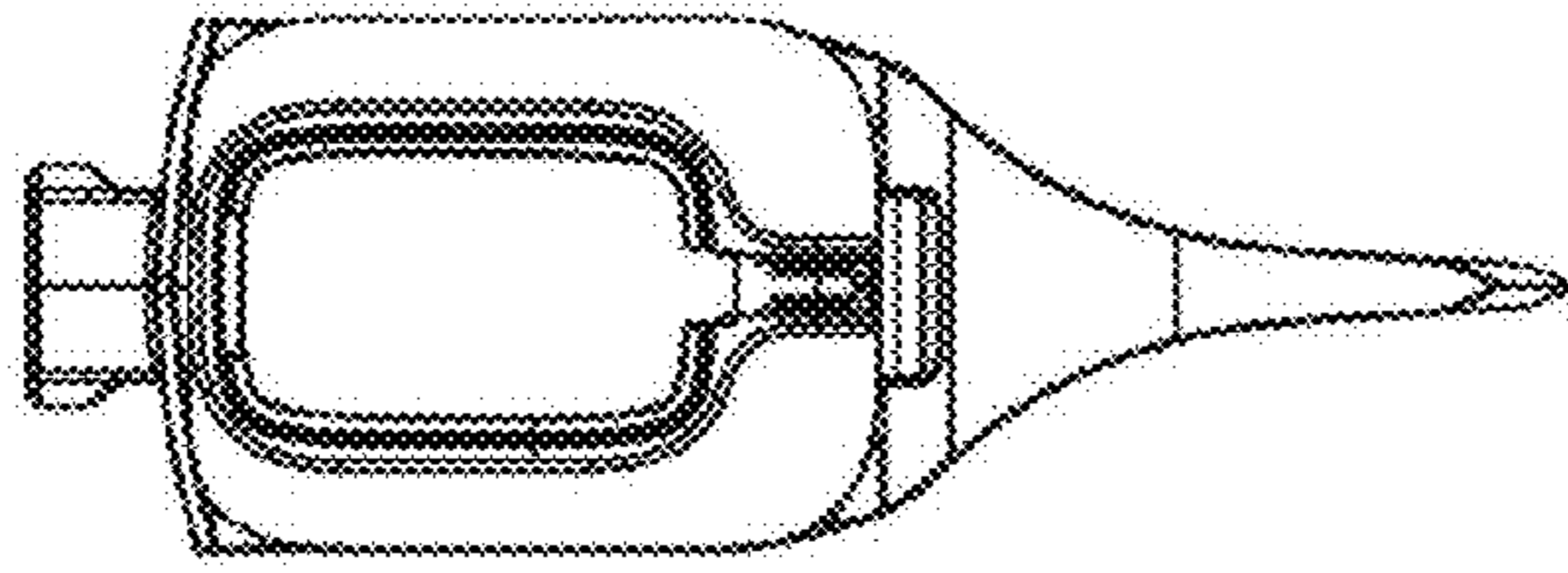


Fig. 46

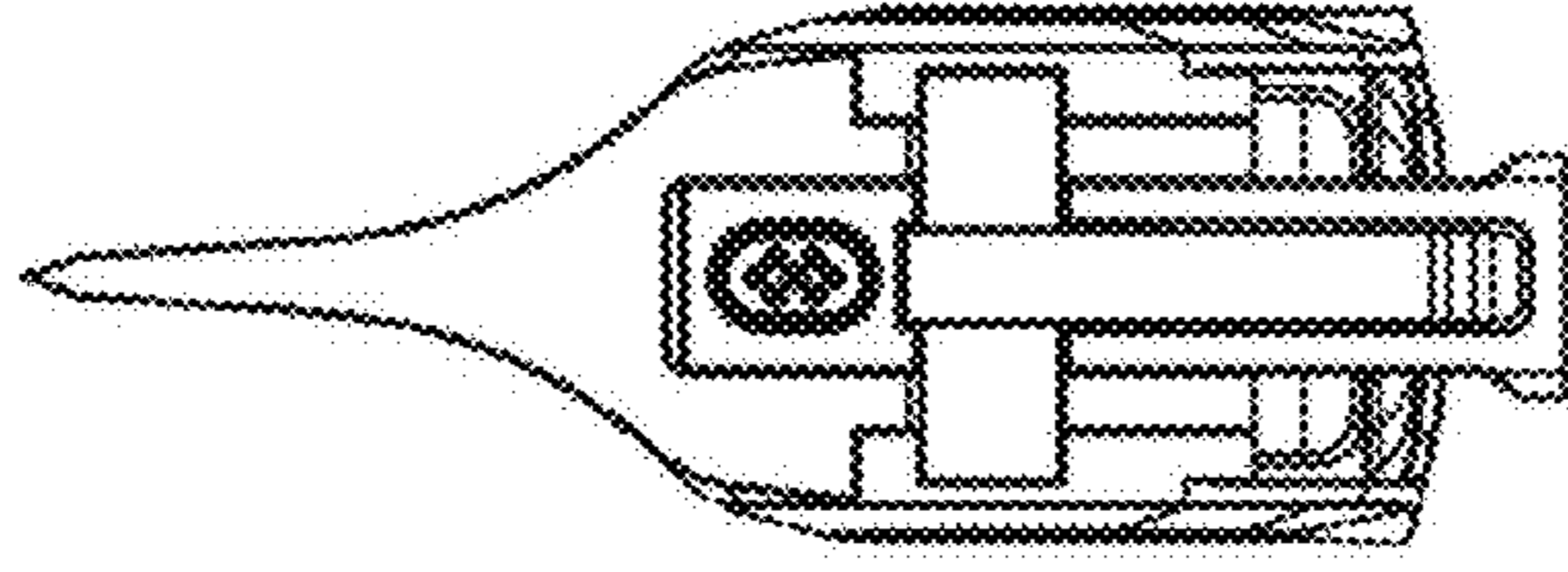


Fig. 47

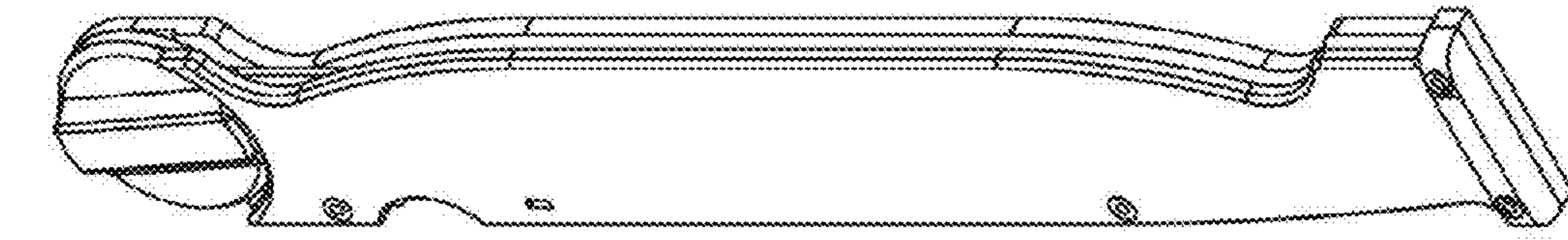


Fig. 52

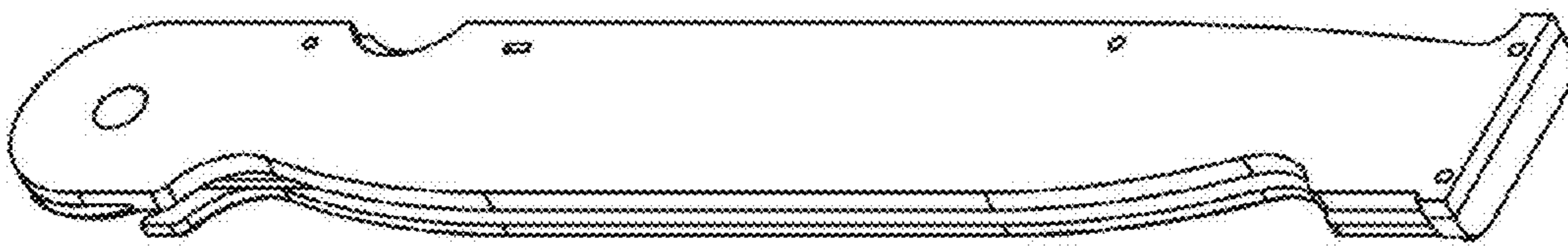


Fig. 51

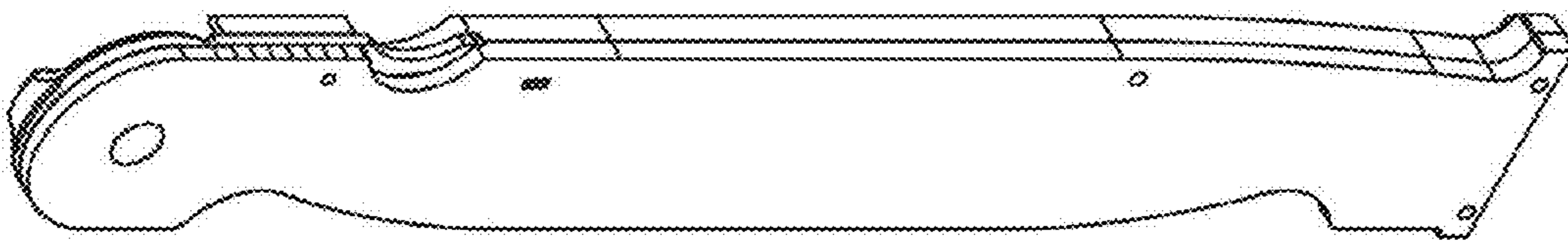


Fig. 50

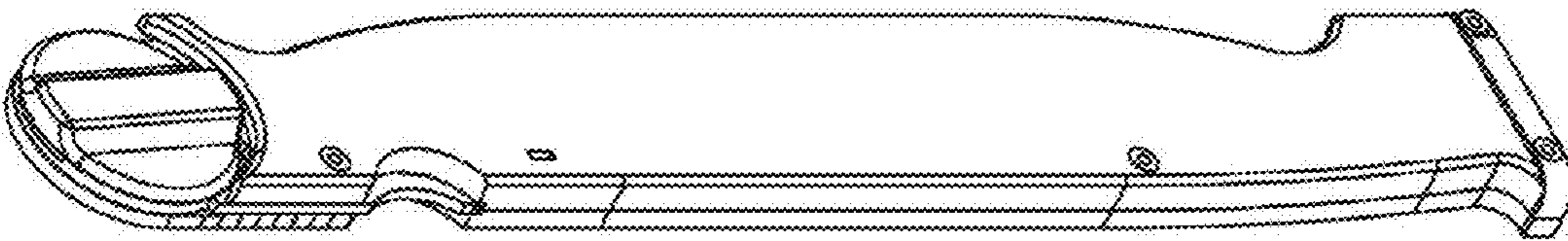


Fig. 49

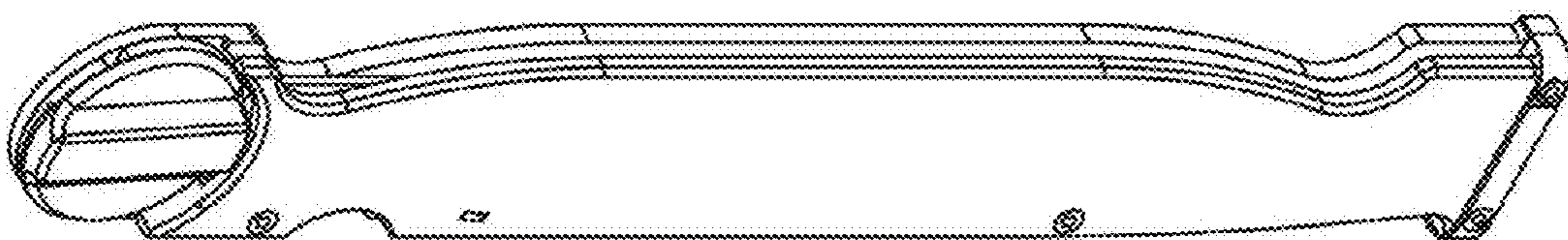


Fig. 48

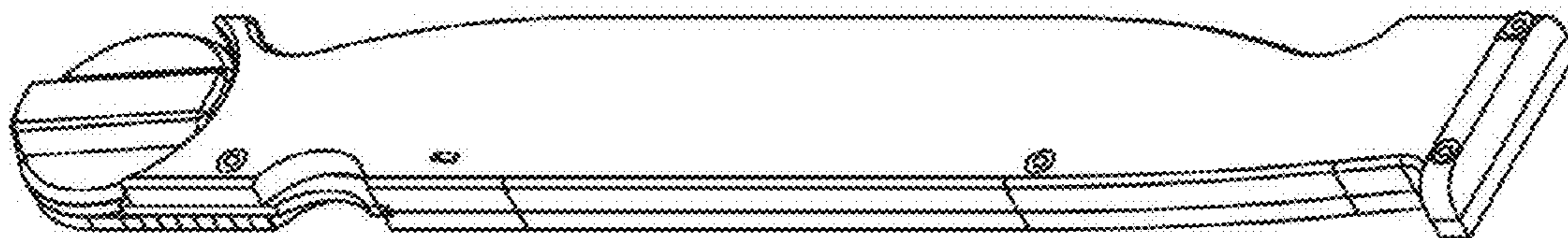


Fig. 53

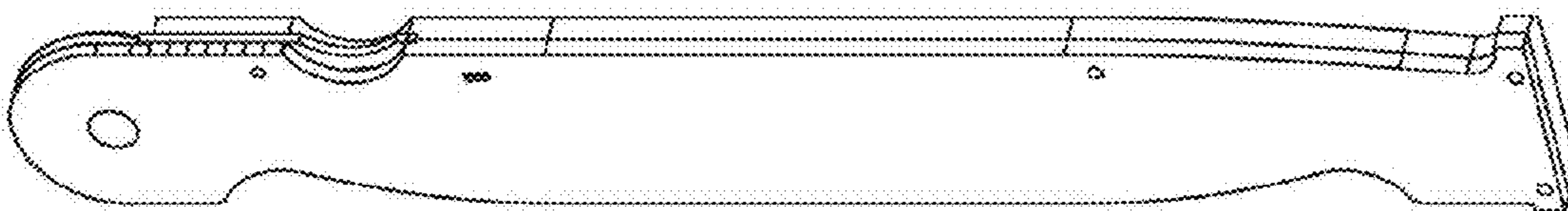


Fig. 54

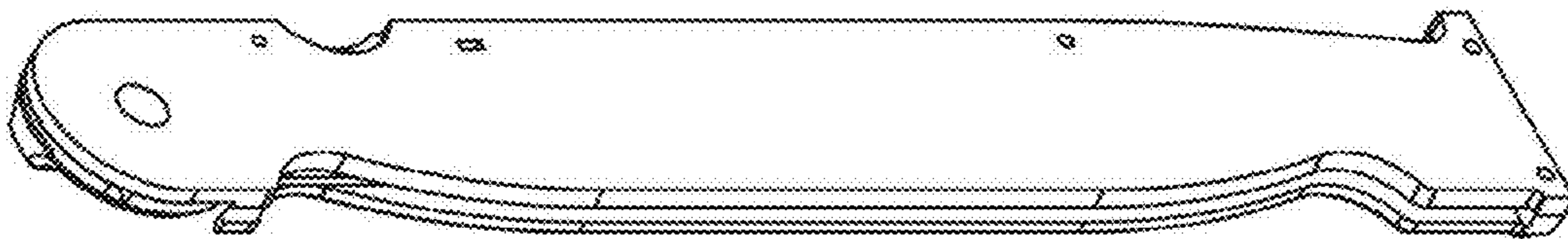


Fig. 55

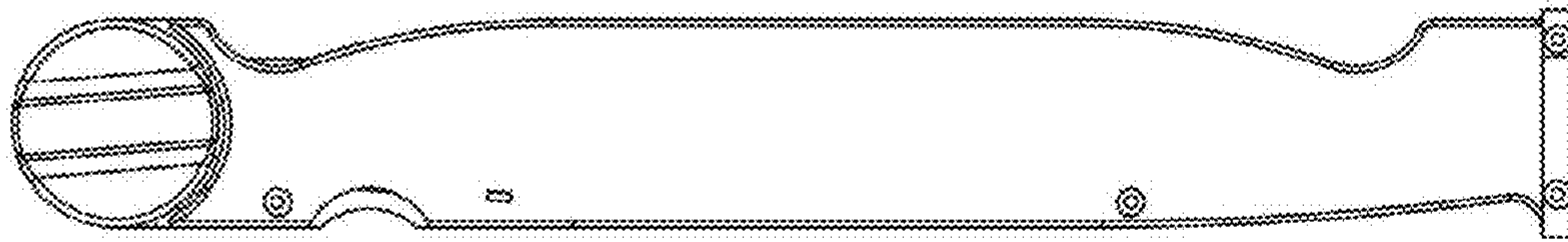


Fig. 56

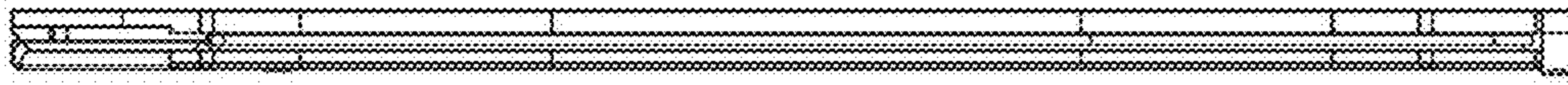


Fig. 57

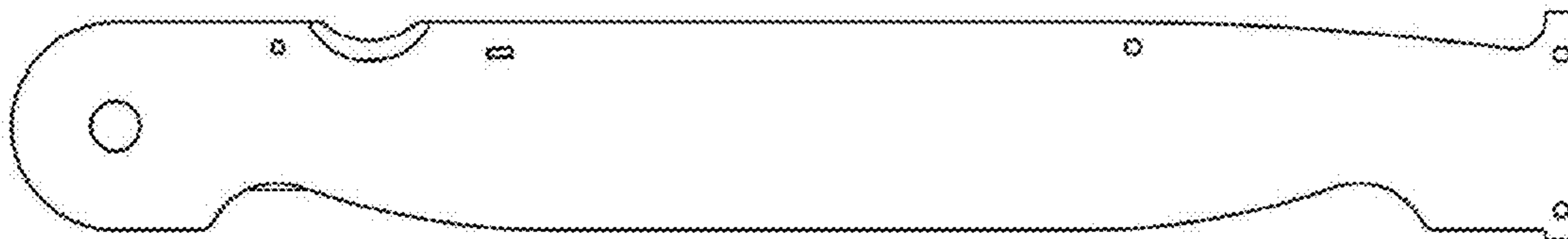


Fig. 58

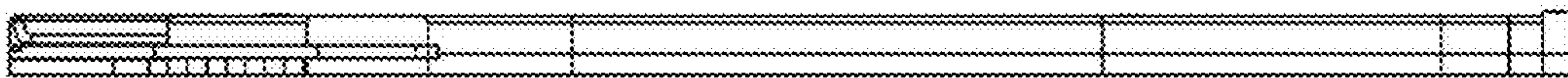


Fig. 59

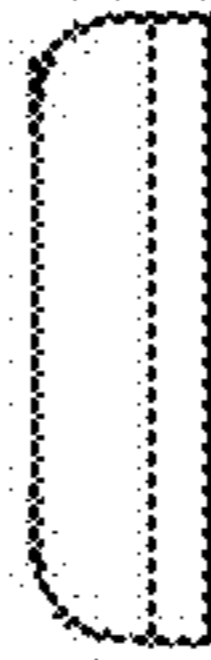


Fig. 60



Fig. 61

