



US00D885158S

(12) **United States Design Patent** (10) **Patent No.:** **US D885,158 S**  
**Chalfant et al.** (45) **Date of Patent:** **\*\* May 26, 2020**

(54) **KNIFE SHARPENER WITH TWO SHARPENING SLOTS**

(71) Applicant: **Smith's Consumer Products, Inc.**, Hot Springs, AR (US)

(72) Inventors: **Louis Chalfant**, Hot Springs, AR (US); **Ricky L. Dukes**, Knoxville, TN (US)

(73) Assignee: **Smith's Consumer Products, Inc.**, Hot Springs, AR (US)

(\*\*) Term: **15 Years**

(21) Appl. No.: **29/679,604**

(22) Filed: **Feb. 7, 2019**

(51) **LOC (12) Cl.** ..... **08-05**

(52) **U.S. Cl.**  
USPC ..... **D8/93**

(58) **Field of Classification Search**  
USPC ..... D8/63, 90, 91, 92, 93  
CPC .... B24B 3/54; B24B 3/36; B24B 3/58; B24B 3/00; B24B 23/08; B24B 15/00; B24B 15/06; B24B 15/063; B24B 15/08  
See application file for complete search history.

(56) **References Cited**

**U.S. PATENT DOCUMENTS**

2,249,218 A 7/1941 Meade et al.  
D499,004 S 11/2004 Smith  
D575,125 S \* 8/2008 Smith ..... D8/63  
(Continued)

**FOREIGN PATENT DOCUMENTS**

CA 2703522 11/2011  
CA 142214 4/2012  
(Continued)

**OTHER PUBLICATIONS**

Product Listing for "2-Step Knife Sharpener," <https://www.smithsproducts.com/2-step-knife-sharpener> (last accessed: Oct. 4, 2018).

*Primary Examiner* — Philip S Hyder  
(74) *Attorney, Agent, or Firm* — Richard Blakely Glasgow

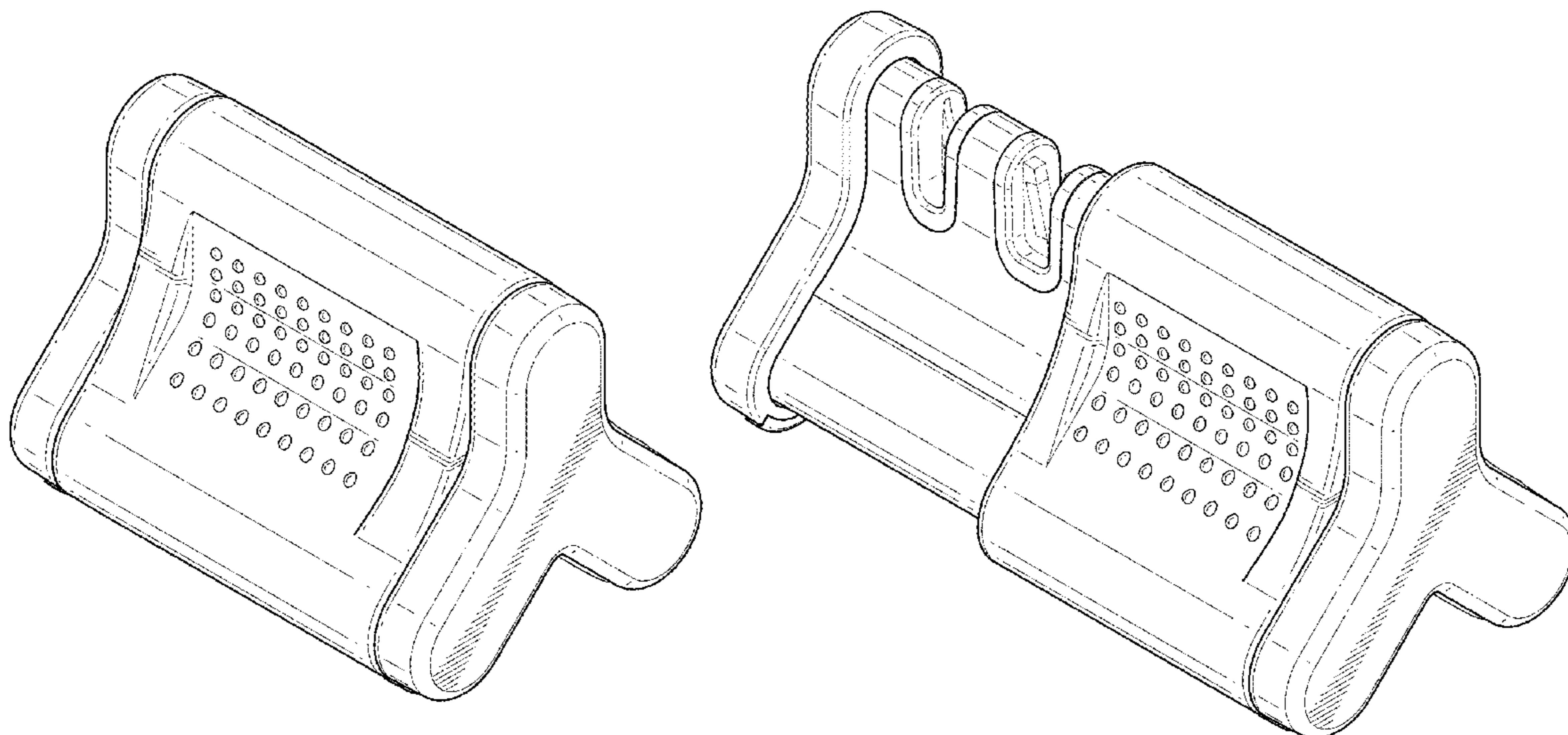
(57) **CLAIM**

The ornamental design for a knife sharpener with two sharpening slots, as shown.

**DESCRIPTION**

FIG. 1 is a front perspective view of an embodiment of the present invention in the closed position.  
FIG. 2 is a front view of an embodiment of the present invention in the closed position.  
FIG. 3 is a right side view of an embodiment of the present invention.  
FIG. 4 is a back view of an embodiment of the present invention in the closed position.  
FIG. 5 is a left side view of an embodiment of the present invention.  
FIG. 6 is a top view of an embodiment of the present invention in the closed position.  
FIG. 7 is a bottom view of an embodiment of the present invention in the closed position.  
FIG. 8 is a front perspective view of an embodiment of the present invention in the open position.  
FIG. 9 is a front view of an embodiment of the present invention in the open position.  
FIG. 10 is a back view of an embodiment of the present invention in the open position.  
FIG. 11 is a top view of an embodiment of the present invention in the open position; and,  
FIG. 12 is a bottom view of an embodiment of the present invention in the open position.  
The broken lines shown in the drawings indicate structure and features which form no part of the claimed design.  
The invention pertains to an ornamental design for an article of manufacture, which can be scaled to different sizes.

**1 Claim, 7 Drawing Sheets**



(56)

**References Cited**

U.S. PATENT DOCUMENTS

D575,130 S 8/2008 Smith  
 D578,581 S 10/2008 Smith  
 D587,550 S 3/2009 Smith  
 D626,397 S \* 11/2010 Smith ..... D8/93  
 D640,523 S \* 6/2011 Stutz ..... D8/93  
 8,206,199 B2 6/2012 Smith et al.  
 8,221,199 B2 7/2012 Smith  
 D668,524 S \* 10/2012 Yang ..... D8/93  
 D680,845 S 4/2013 Smith  
 D680,846 S 4/2013 Smith et al.  
 D680,847 S 4/2013 Smith et al.  
 8,425,281 B2 4/2013 Smith et al.  
 8,512,105 B2 8/2013 Smith  
 D699,534 S \* 2/2014 Elek ..... D8/63  
 8,696,407 B2 4/2014 Dovel  
 8,727,836 B2 5/2014 Smith et al.  
 8,944,894 B2 2/2015 Smith et al.  
 D723,898 S 3/2015 Smith

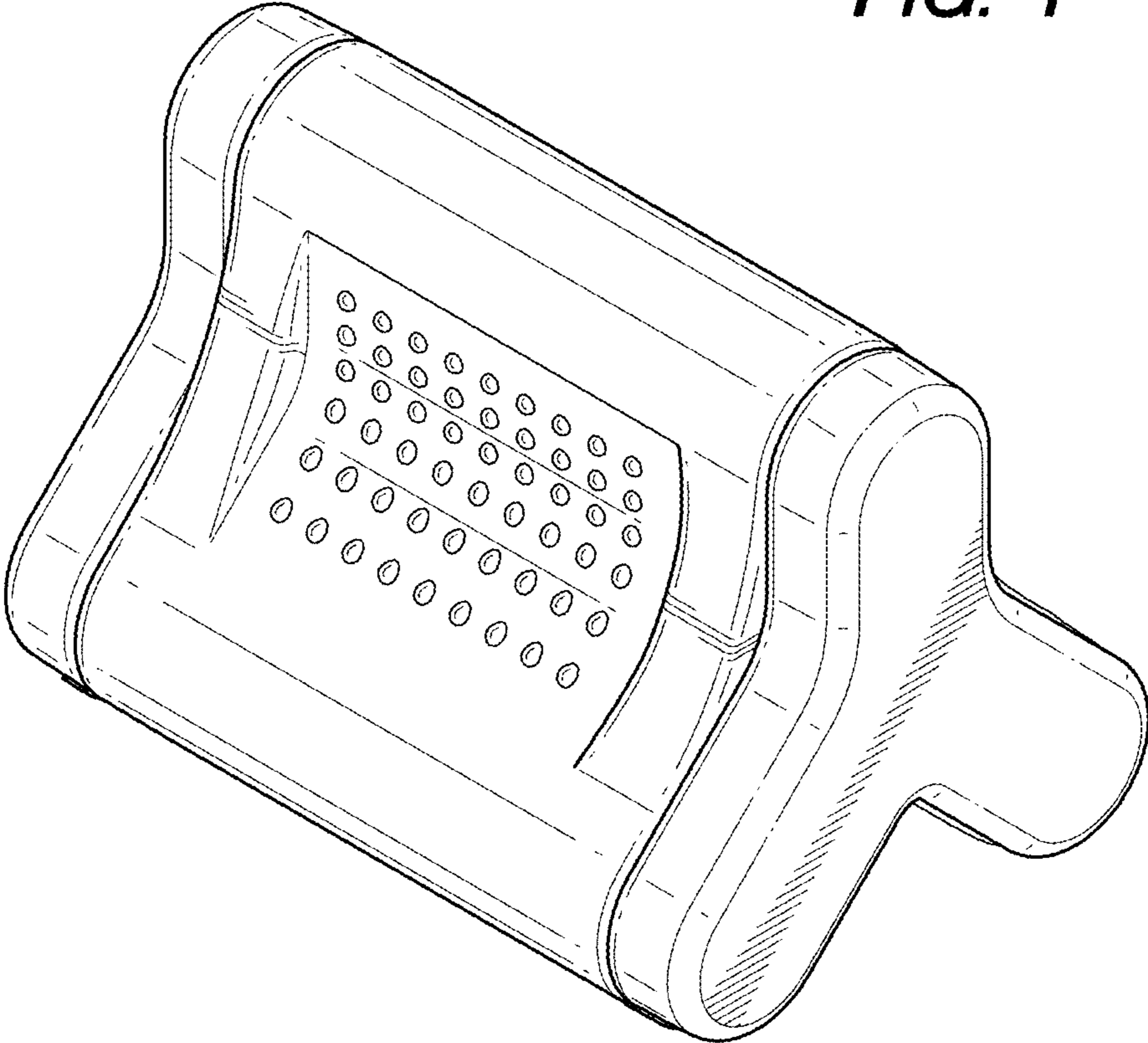
D754,514 S \* 4/2016 Huber ..... D8/93  
 9,333,612 B2 5/2016 Dovel  
 9,358,654 B1 6/2016 Dovel  
 9,849,556 B2 12/2017 Dovel  
 D813,004 S \* 3/2018 Huber ..... D8/93  
 9,956,662 B2 5/2018 Dovel  
 2004/0198198 A1 10/2004 Riel  
 2008/0261494 A1 10/2008 Friel  
 2009/0298401 A1 12/2009 Smith  
 2011/0201257 A1 8/2011 Walker  
 2014/0057541 A1 2/2014 Smith  
 2015/0321320 A1 11/2015 Smith  
 2018/0056468 A1 3/2018 Dovel

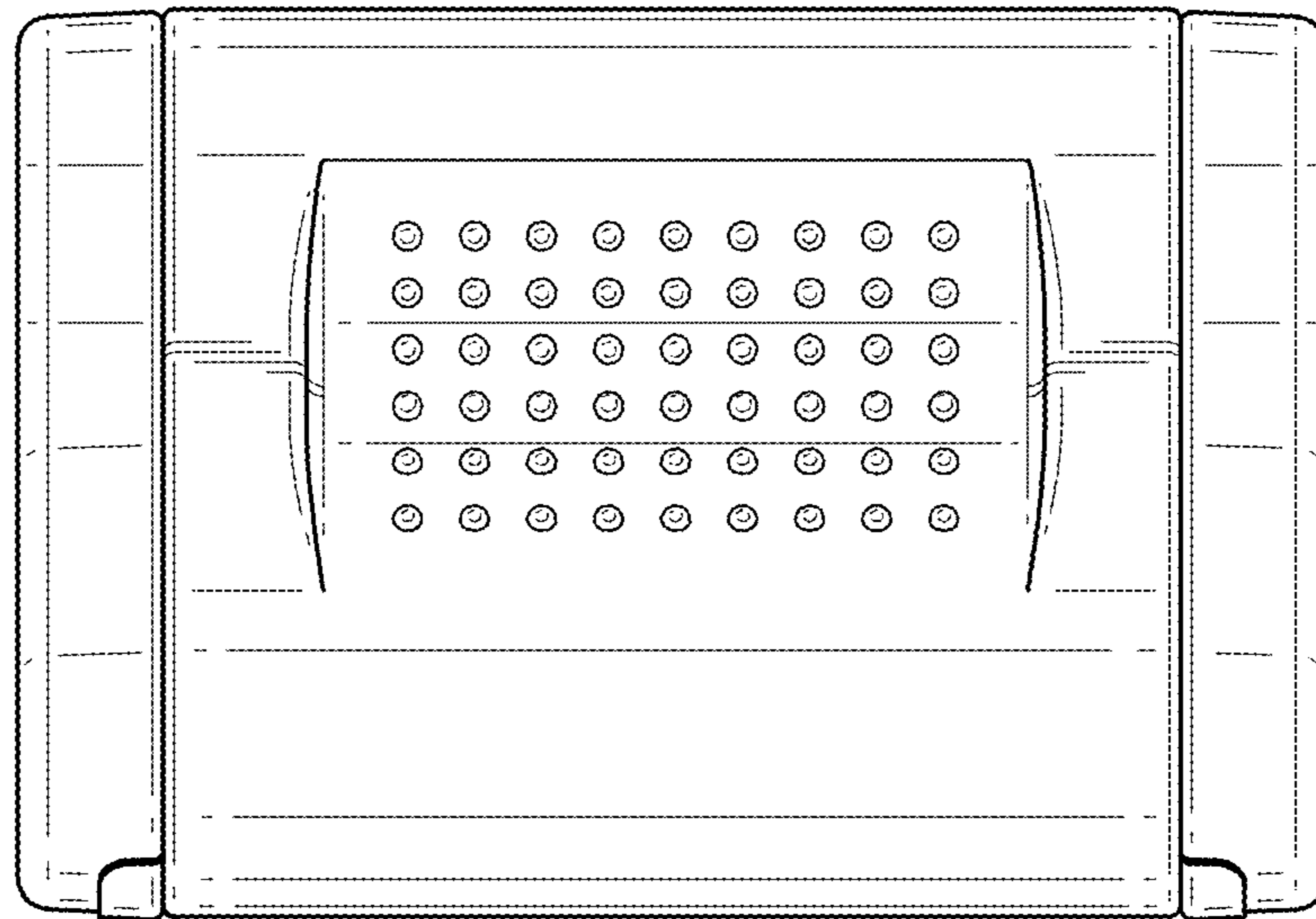
FOREIGN PATENT DOCUMENTS

EP 001002117-0003 11/2008  
 EP 001915612-0001 11/2011  
 EP 2103386 11/2012

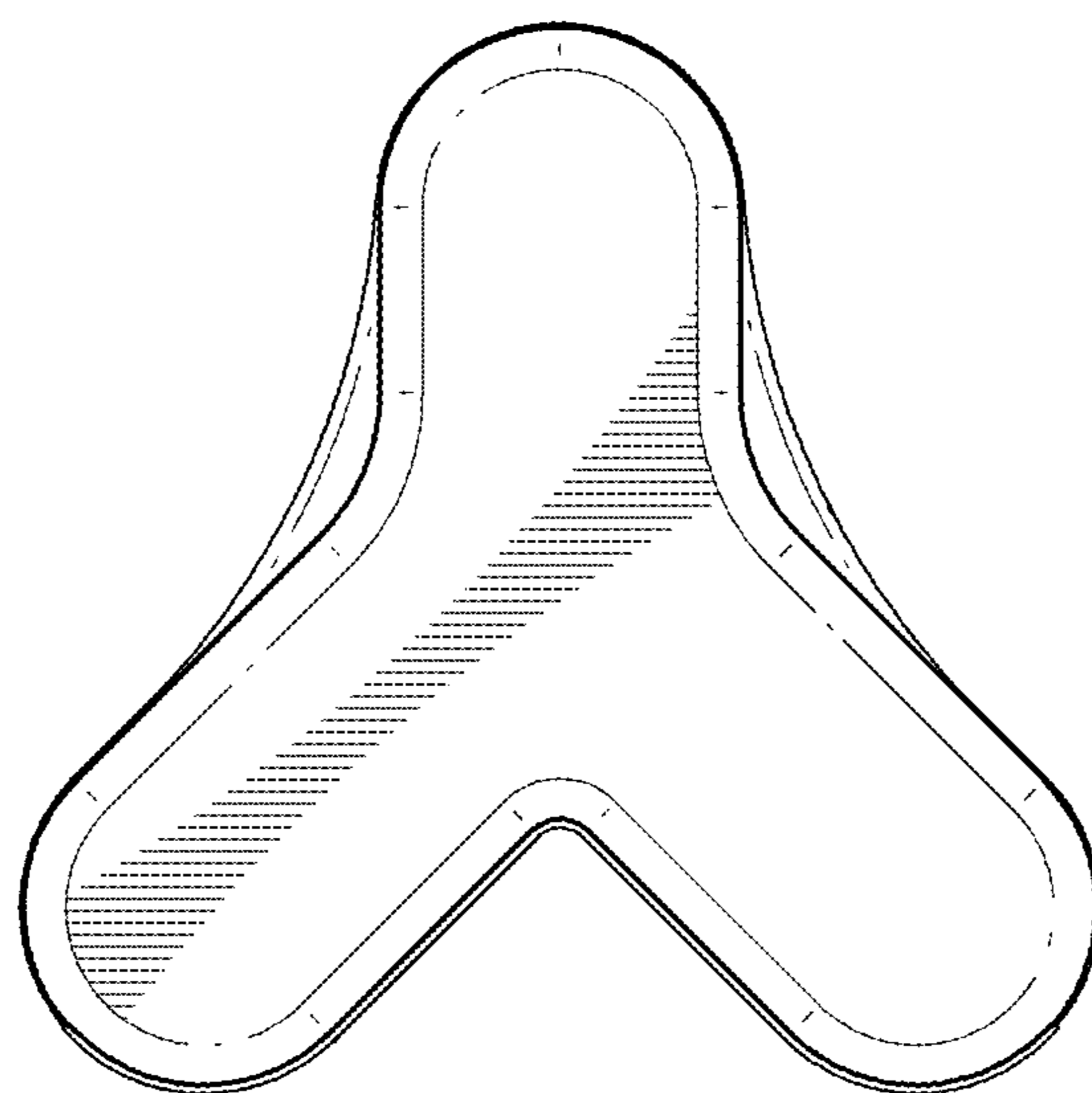
\* cited by examiner

**FIG. 1**

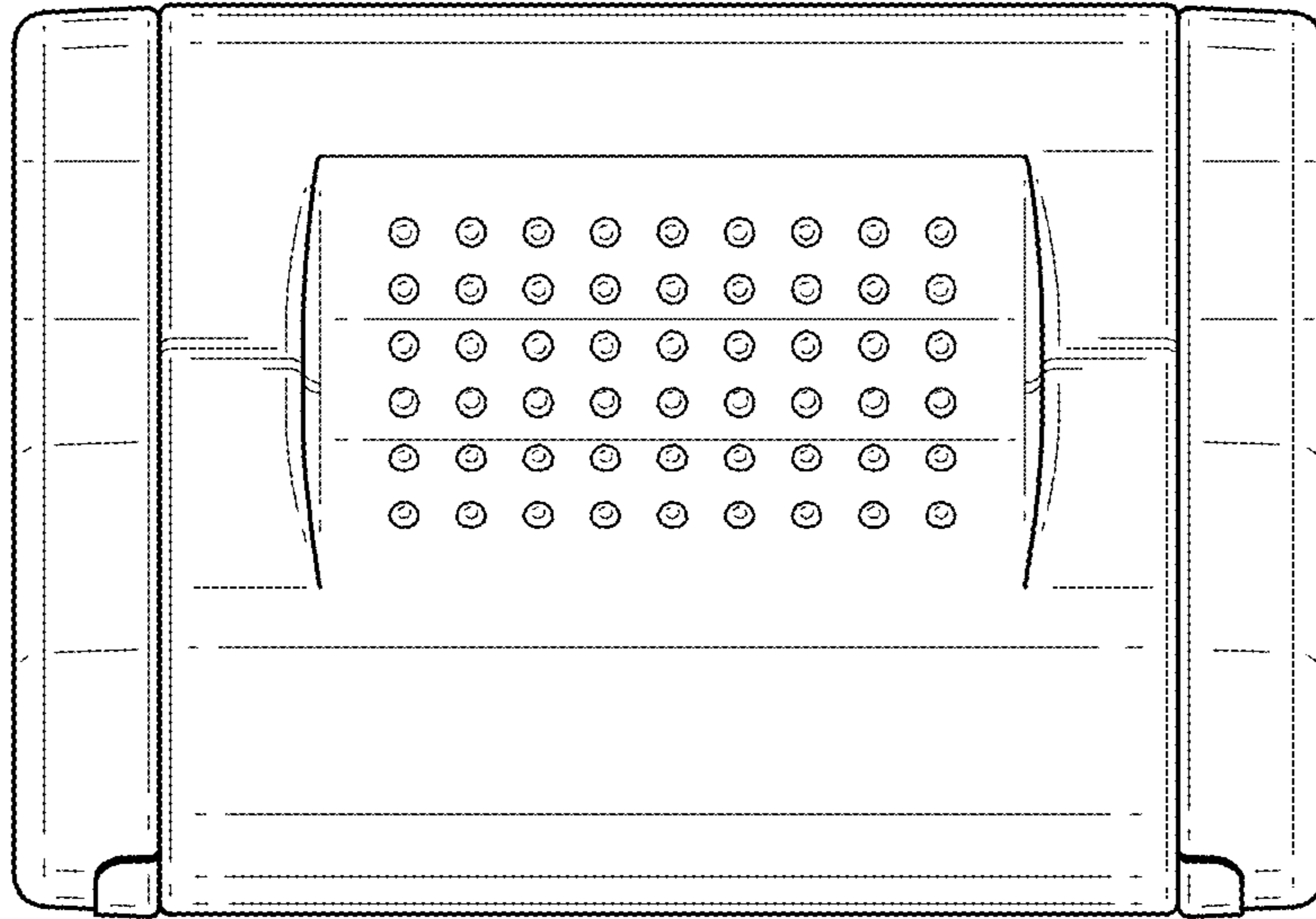




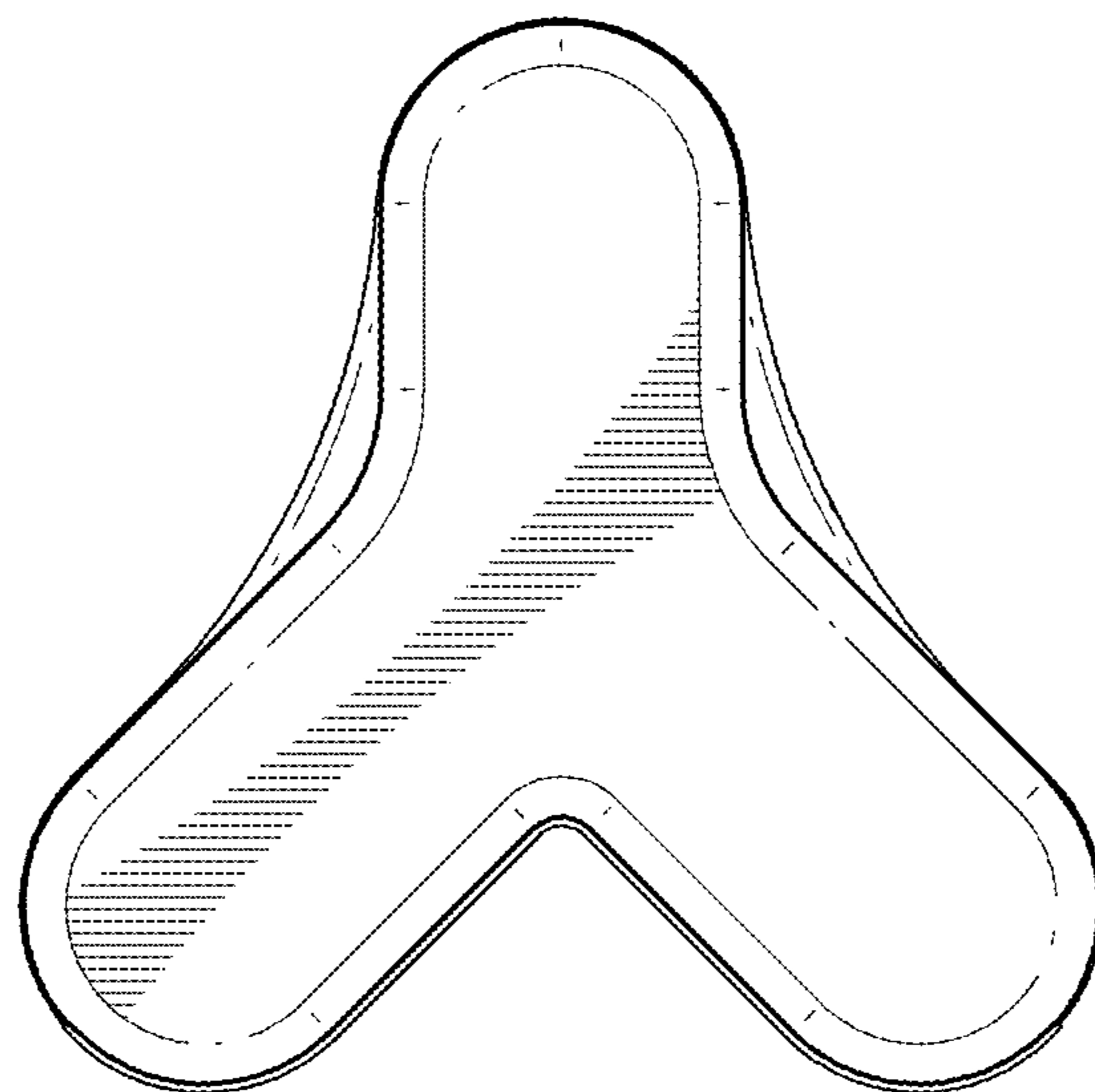
**FIG. 2**



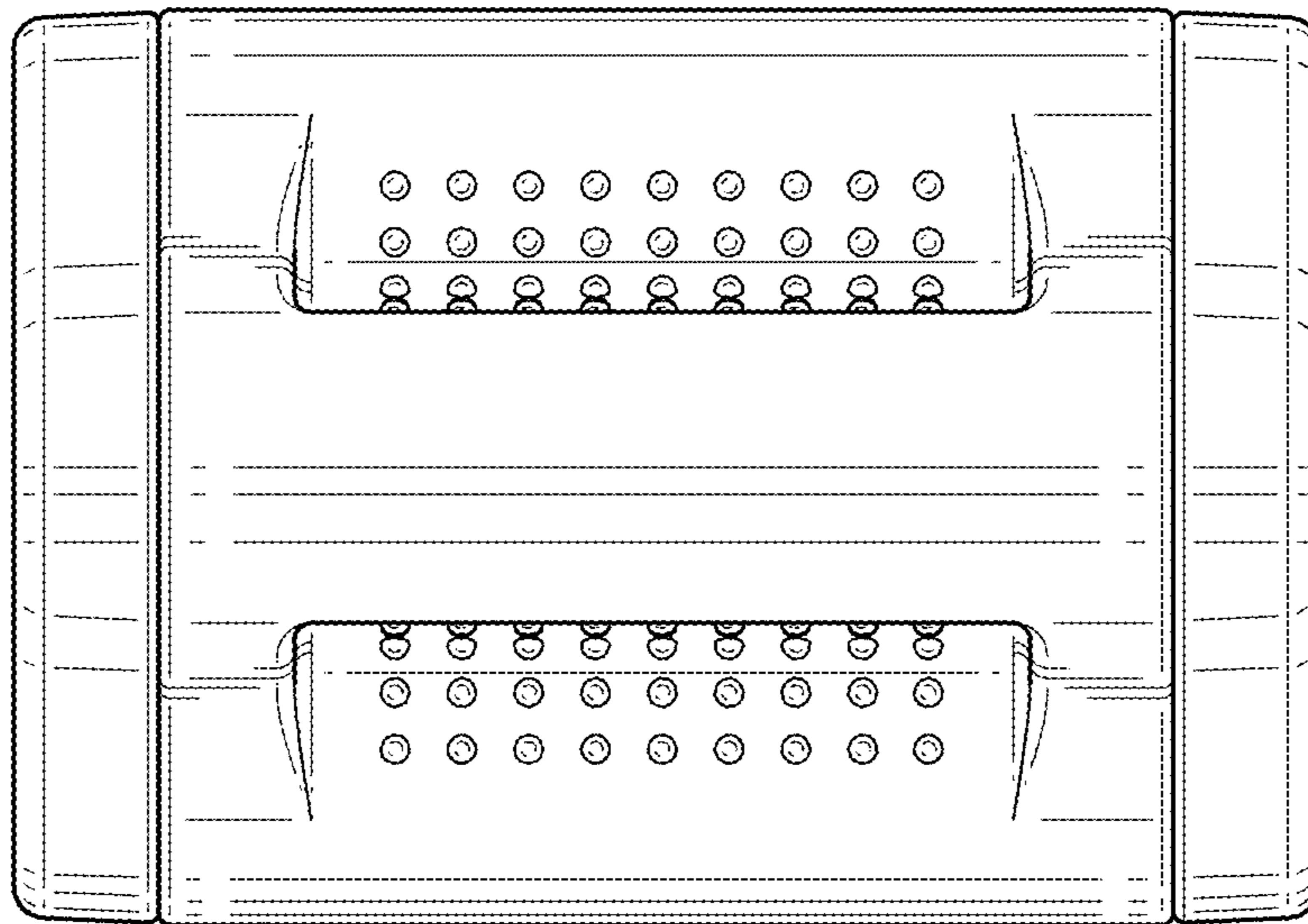
**FIG. 3**



**FIG. 4**



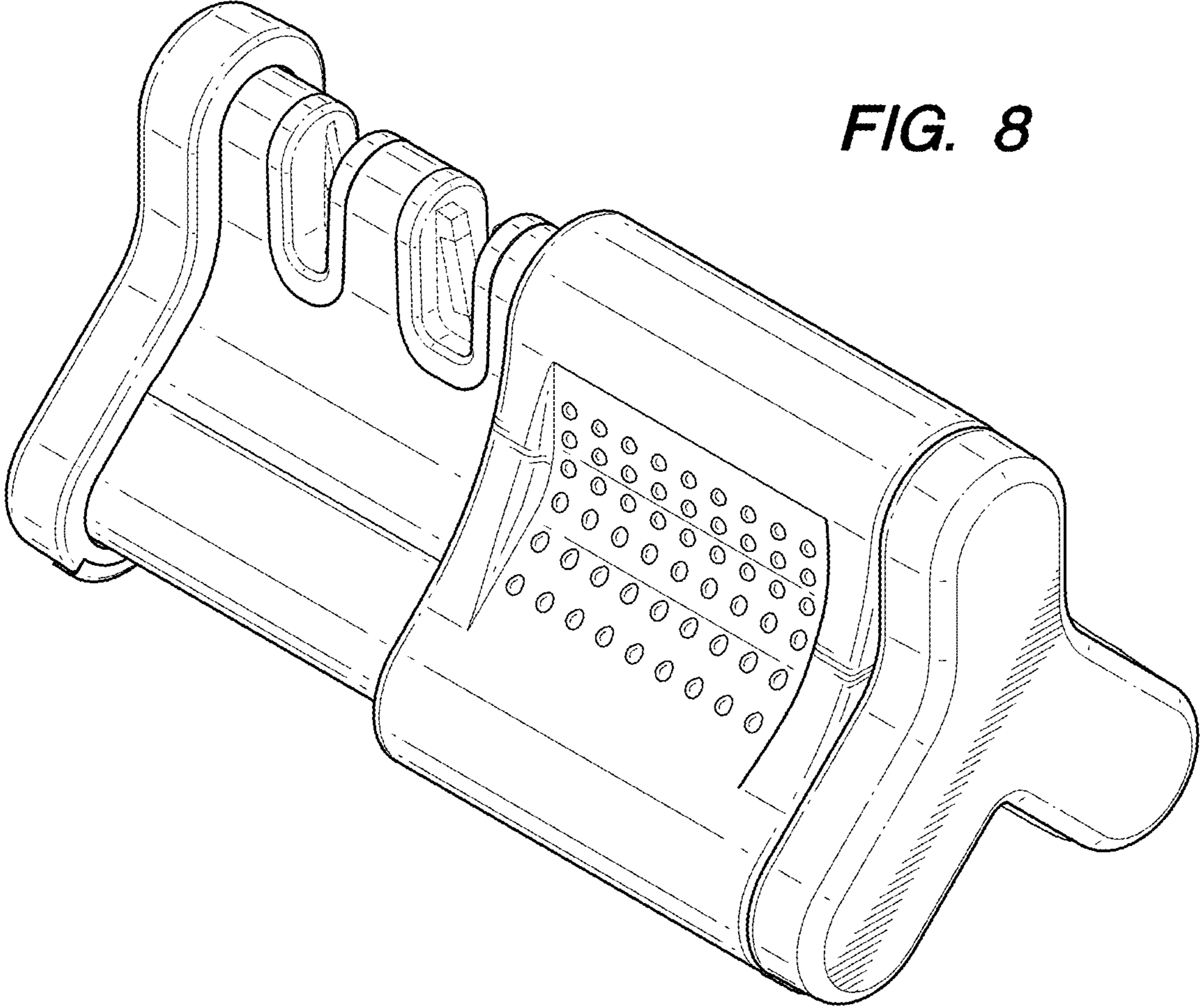
**FIG. 5**



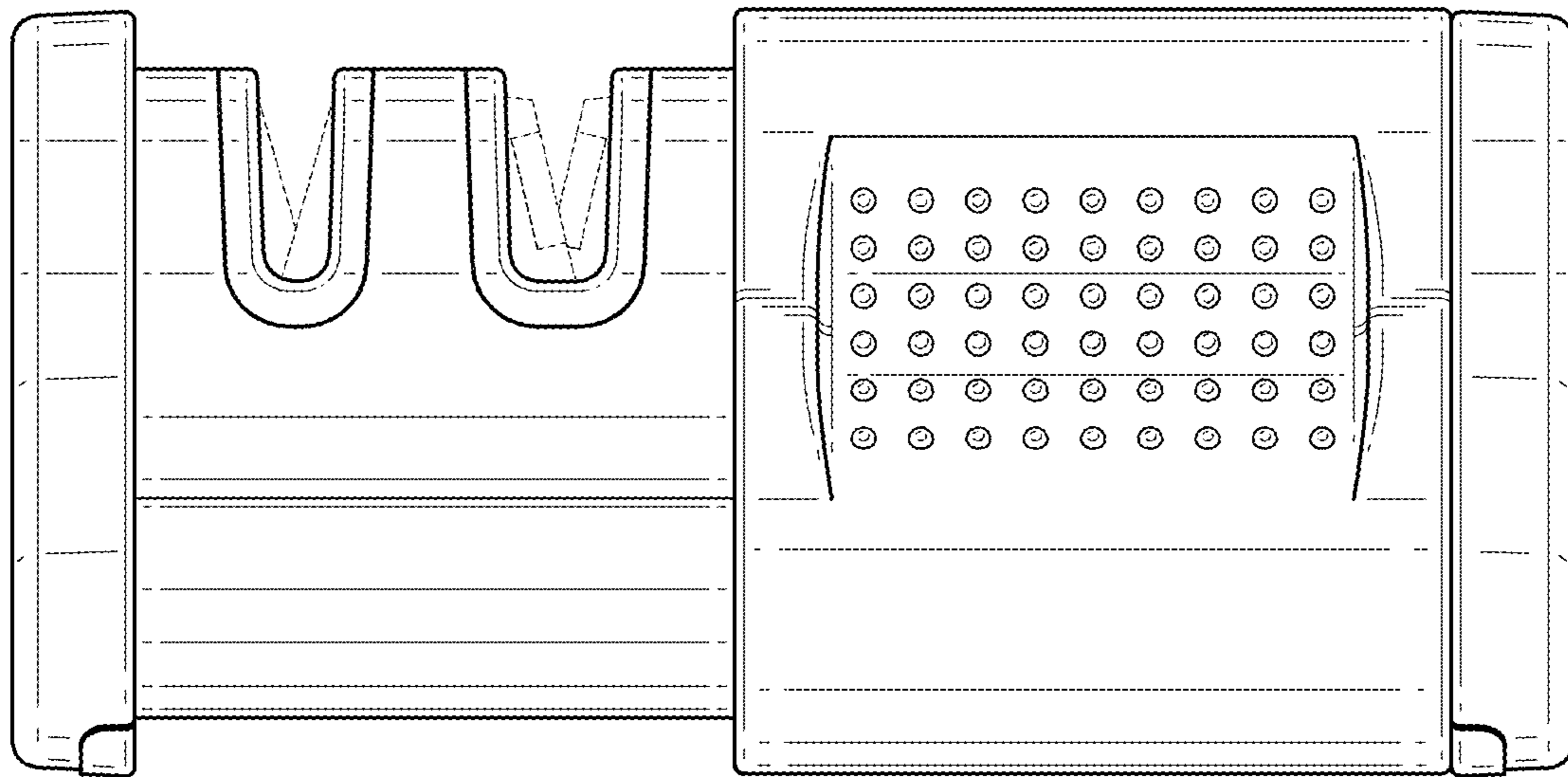
**FIG. 6**



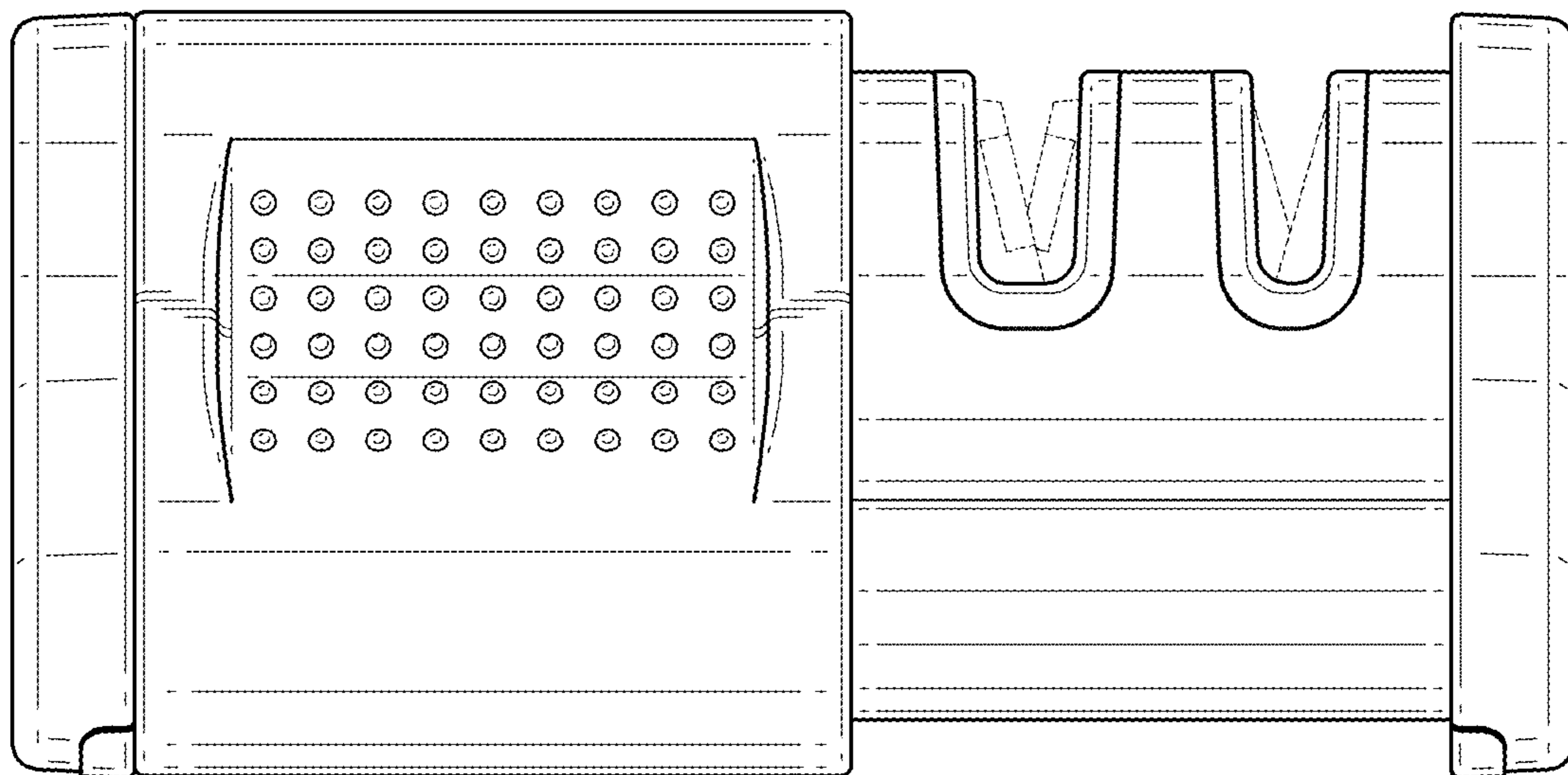
**FIG. 7**



**FIG. 8**

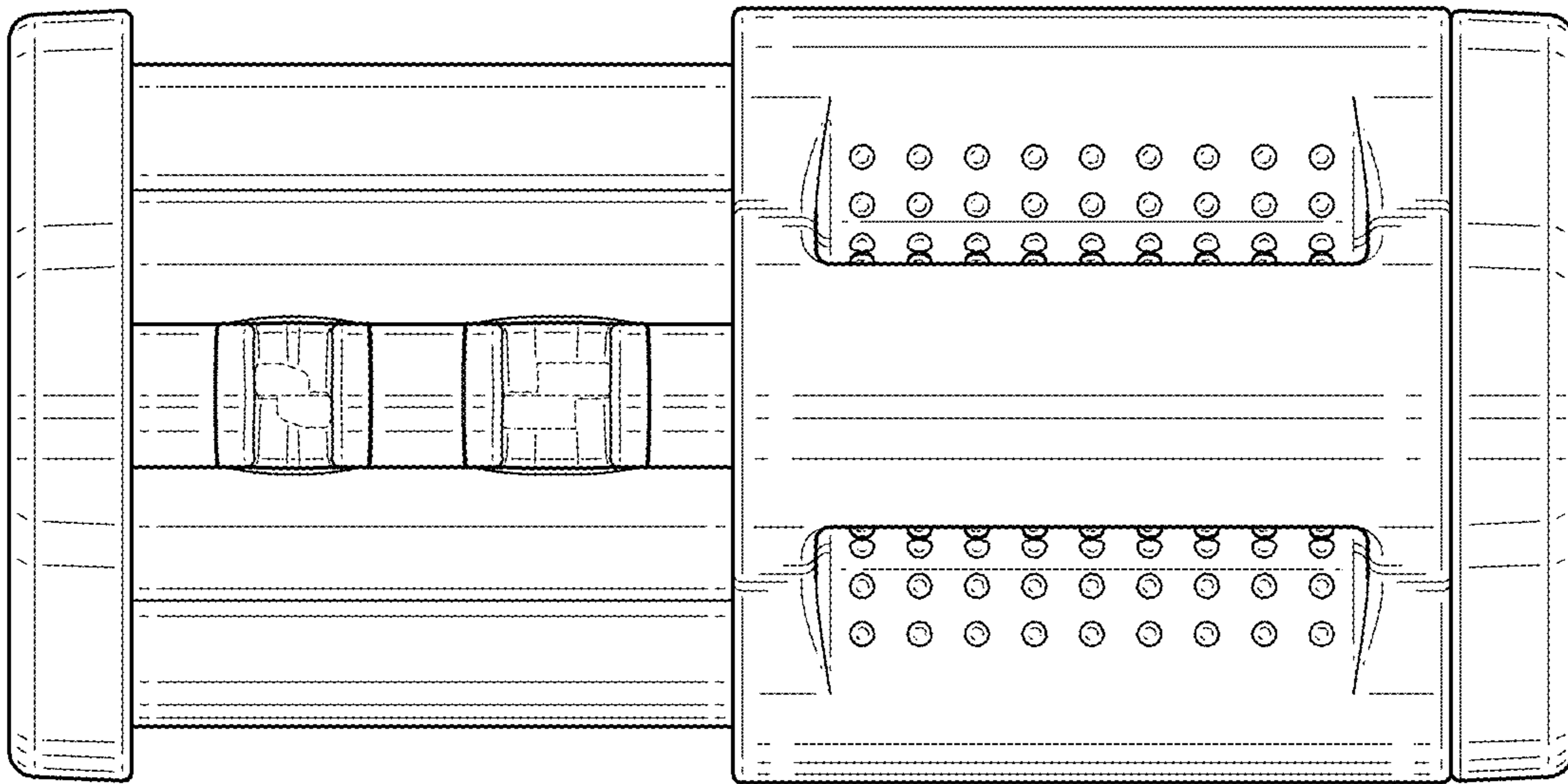


**FIG. 9**

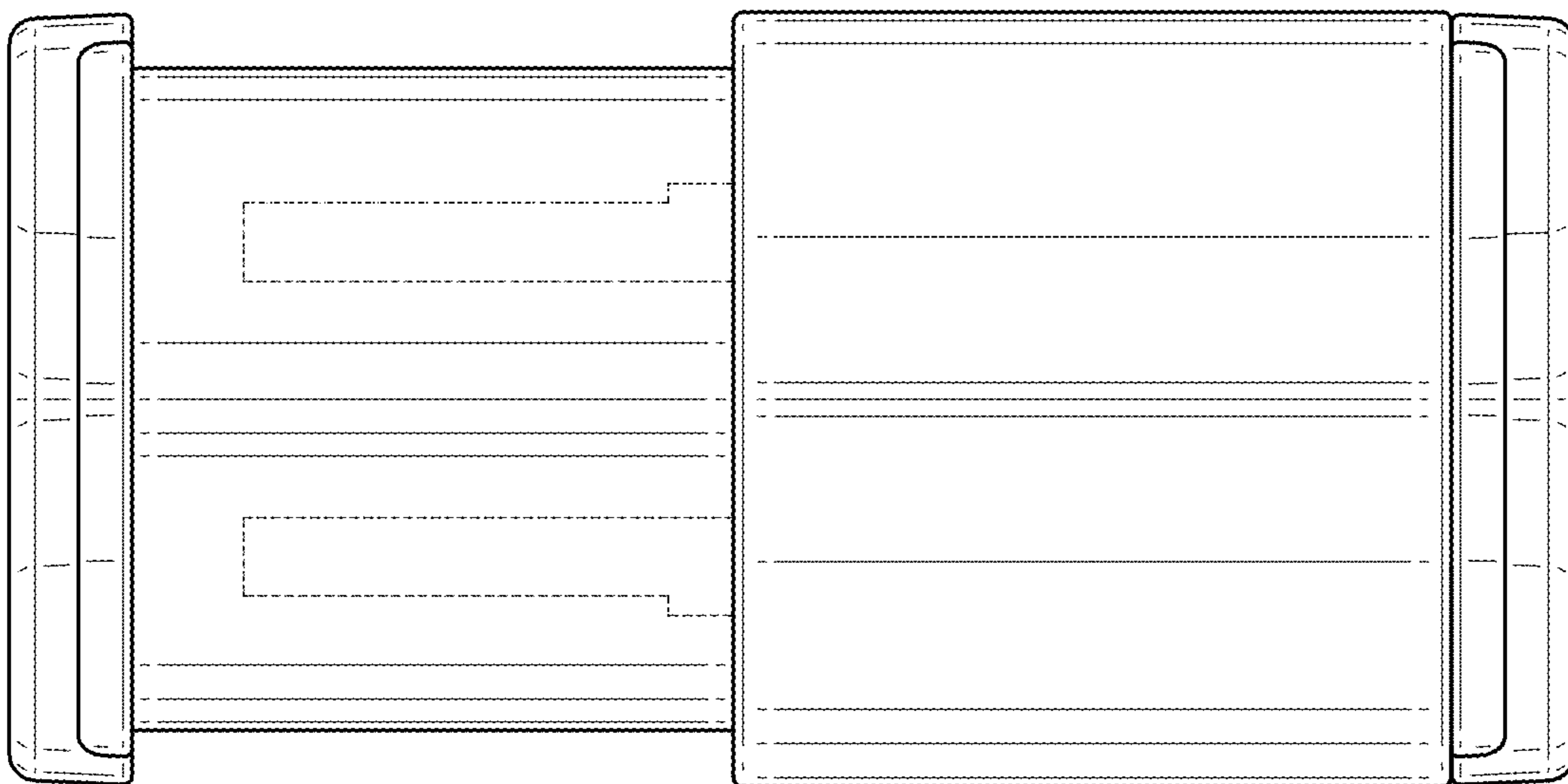


**FIG. 10**





**FIG. 11**



**FIG. 12**