



US00D885157S

(12) **United States Design Patent**
Wu

(10) **Patent No.:** **US D885,157 S**

(45) **Date of Patent:** **** May 26, 2020**

- (54) **BIT**
- (71) Applicant: **CORE Tool Group, Inc.**, Corona, CA (US)
- (72) Inventor: **Zhong-Yue Wu**, Tainan (TW)
- (73) Assignee: **CORE TOOL GROUP, INC.**, Corona, CA (US)
- (**) Term: **15 Years**
- (21) Appl. No.: **29/707,806**
- (22) Filed: **Oct. 1, 2019**

D725,984 S	4/2015	Moss et al.
D726,521 S	4/2015	Moss et al.
9,010,223 B2	4/2015	Huang
9,132,534 B2	9/2015	Lai
D752,408 S	3/2016	Moss et al.
D753,979 S	4/2016	Liu
D759,456 S	6/2016	Liu
D761,071 S	7/2016	Tsang
D778,137 S	2/2017	Tao
D778,704 S	2/2017	Chen
D789,761 S	6/2017	Moss et al.
9,737,977 B2	8/2017	Taguchi et al.
D821,842 S	7/2018	Hsu
D827,406 S	9/2018	Su
10,150,205 B2	12/2018	Santamarina et al.
D838,566 S	1/2019	Moss et al.
D841,425 S	2/2019	Moss et al.
2011/0197721 A1 *	8/2011	DeBaker B25B 15/002 81/436
2013/0340578 A1 *	12/2013	Lai B25B 15/001 81/460
2015/0013508 A1 *	1/2015	Zhang B25B 15/001 81/436

Related U.S. Application Data

- (62) Division of application No. 29/694,498, filed on Jun. 11, 2019.
- (51) **LOC (12) Cl.** **08-04**
- (52) **U.S. Cl.**
USPC **D8/86**
- (58) **Field of Classification Search**
USPC D8/82, 83, 84, 85, 86
CPC ... B25B 15/001; B25B 15/005; B25B 15/008;
B25B 23/0007; B25B 23/0035; B25B
23/0042; B25B 23/0021; B25G 1/085;
F16B 26/0053
See application file for complete search history.

* cited by examiner

Primary Examiner — Philip S Hyder
(74) *Attorney, Agent, or Firm* — Umberg Zipser LLP

(57) **CLAIM**

I claim the ornamental design for bit, as shown and described.

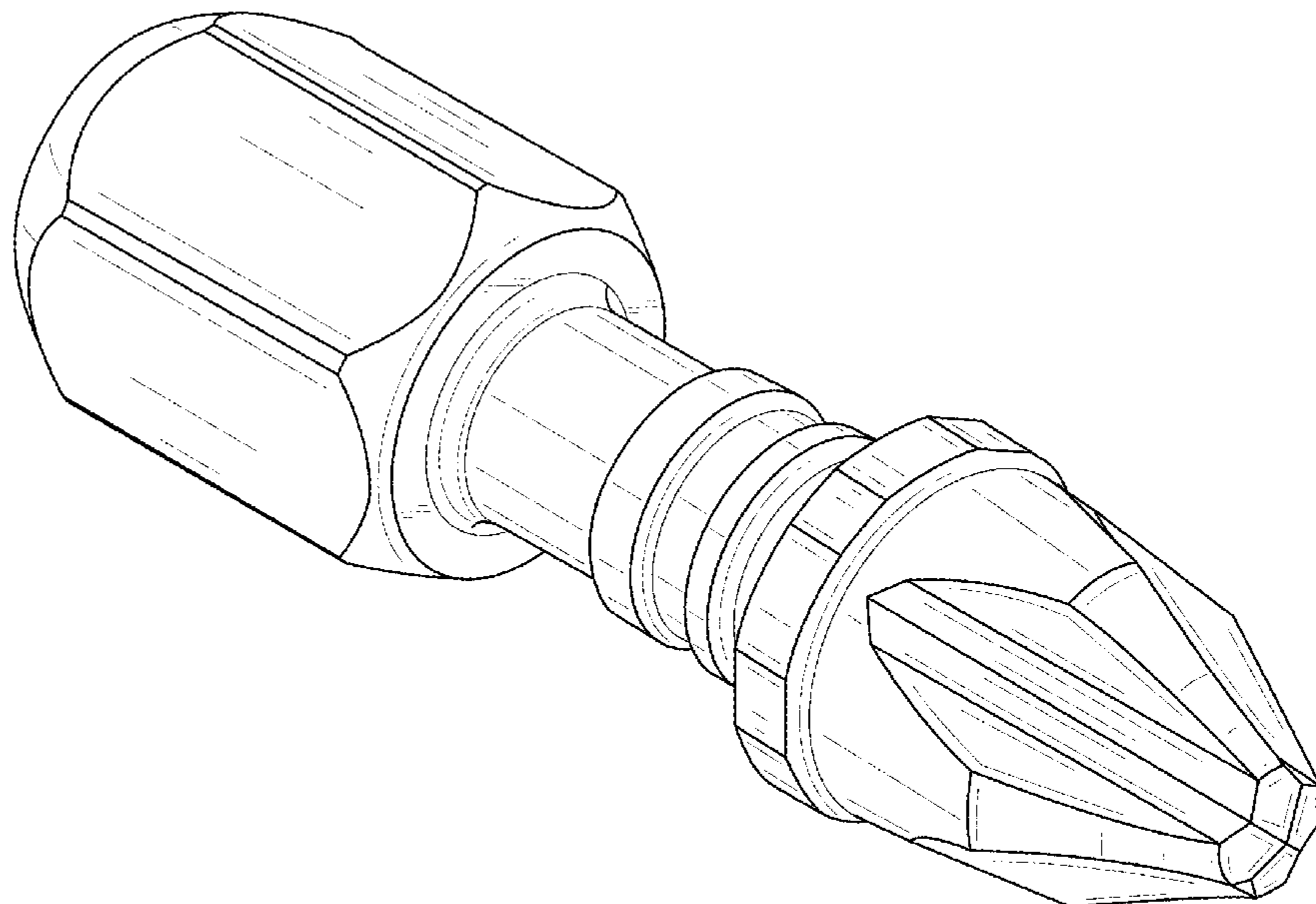
DESCRIPTION

FIG. 1 is a perspective view of a bit.
FIG. 2 is a front elevation view of the bit of FIG. 1.
FIG. 3 is a back elevation view of the bit of FIG. 1.
FIG. 4 is a bottom plan view of the bit of FIG. 1.
FIG. 5 is a top plan view of the bit of FIG. 1.
FIG. 6 is a left side elevation view of the bit of FIG. 1; and,
FIG. 7 is a right side elevation view of the bit of FIG. 1.

1 Claim, 2 Drawing Sheets

(56) **References Cited**
U.S. PATENT DOCUMENTS

5,868,047 A	2/1999	Faust et al.
D462,596 S	9/2002	Frühm
D623,036 S	9/2010	DeBaker
D645,328 S	9/2011	Hsu
D646,138 S	10/2011	Hsu
D646,547 S	10/2011	DeBaker
D653,519 S	2/2012	Lucio et al.
D707,524 S	6/2014	Chen



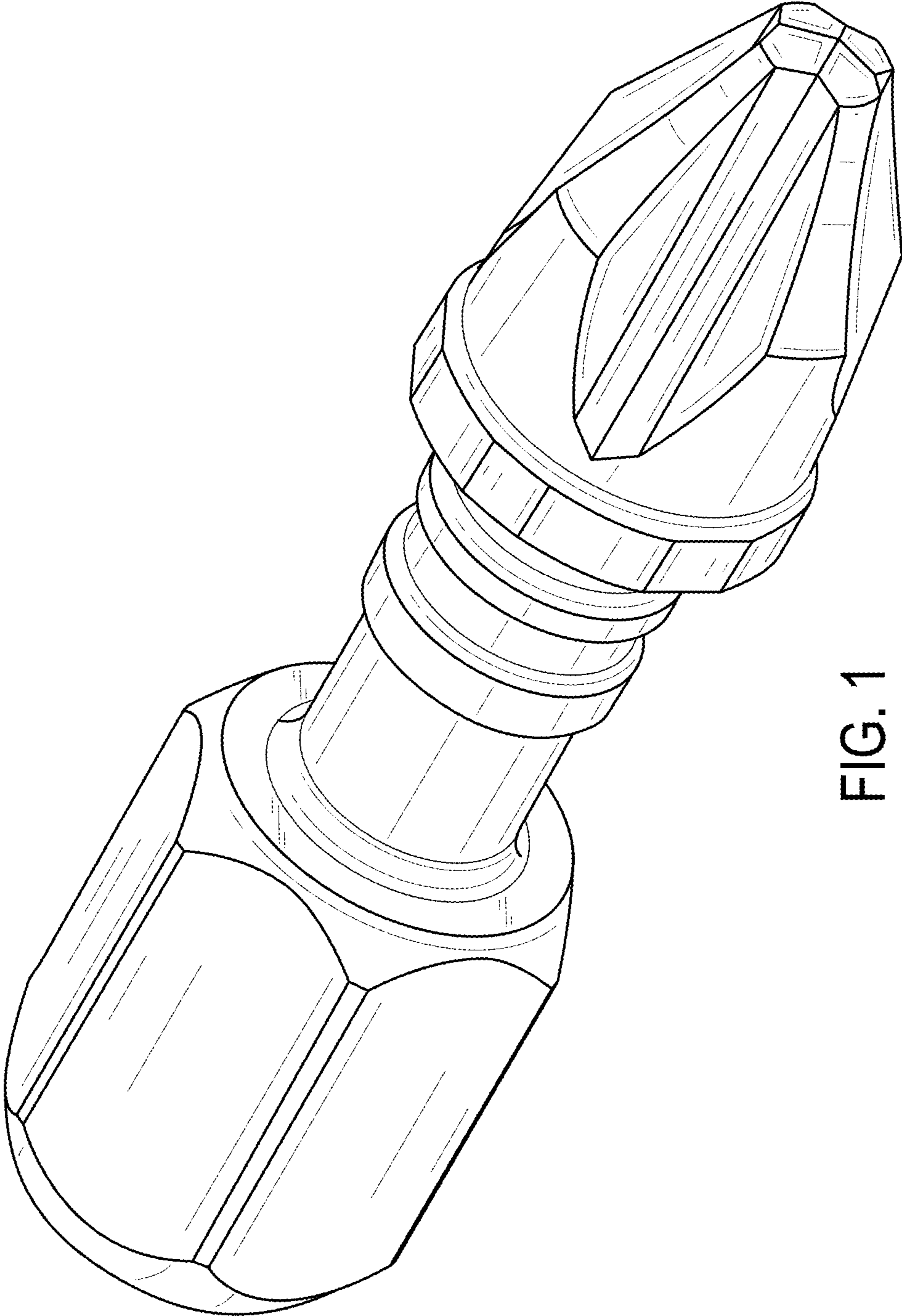


FIG. 1

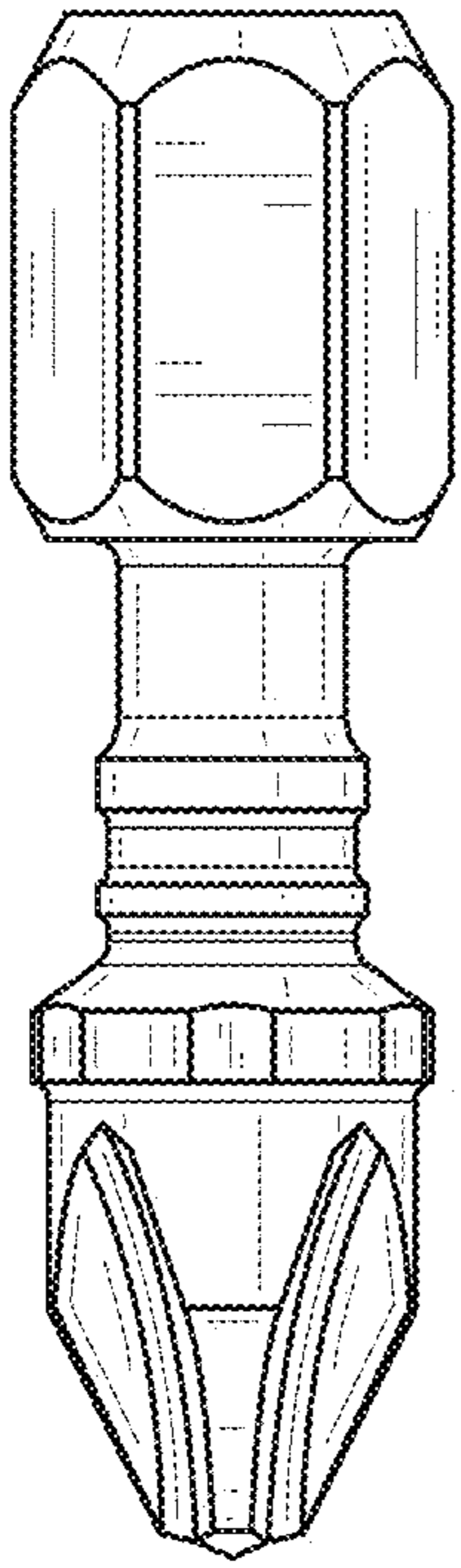


FIG. 3

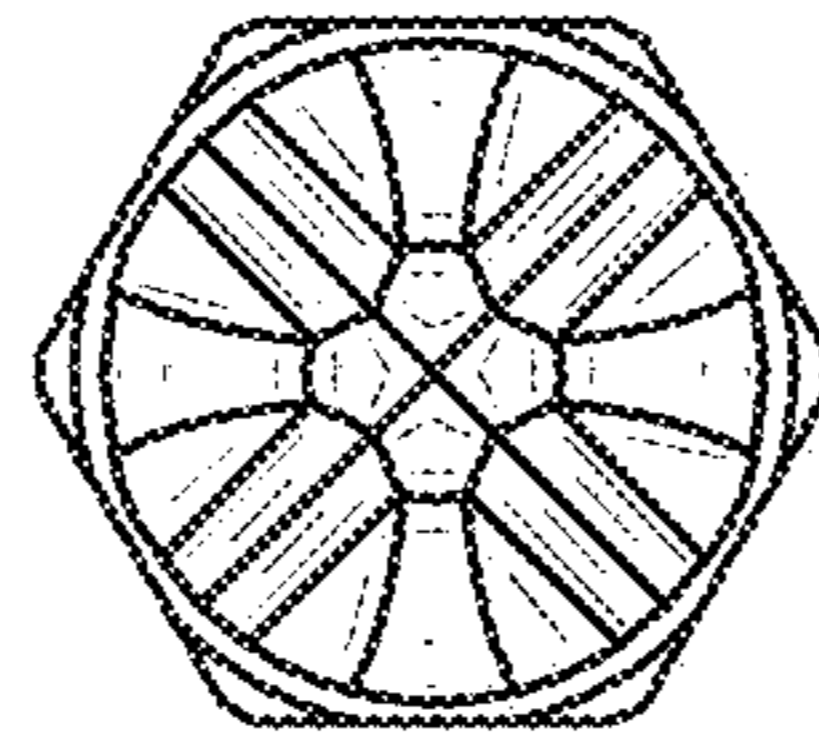


FIG. 5

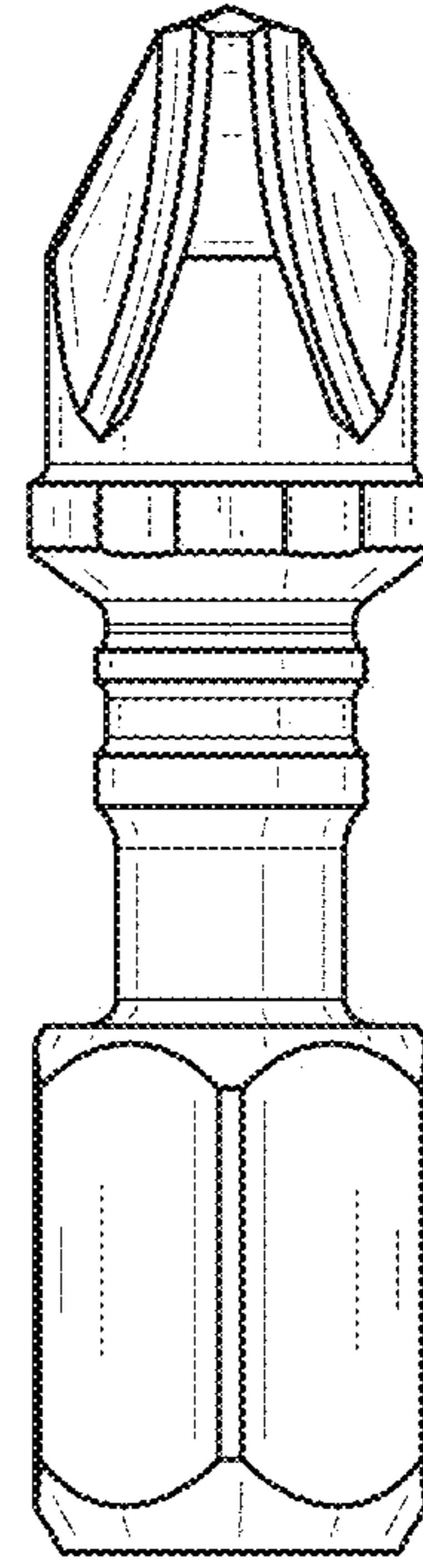


FIG. 7

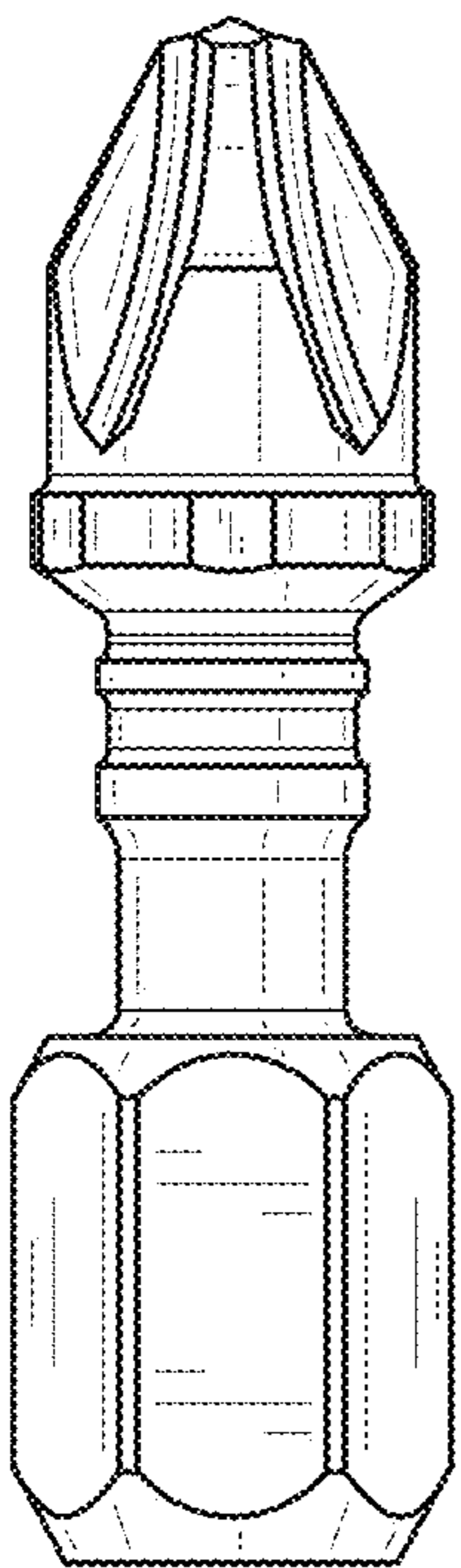


FIG. 2

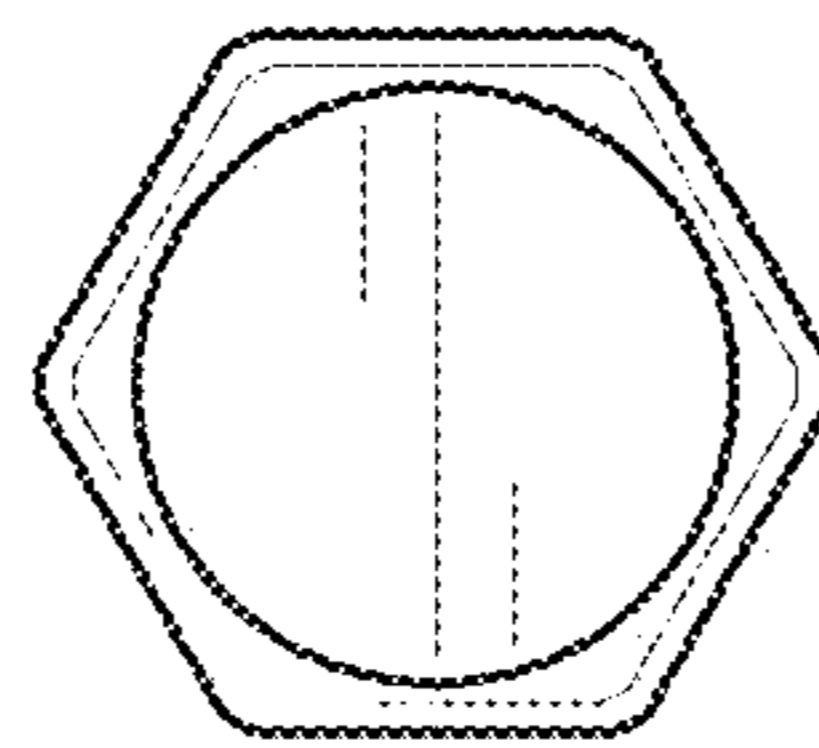


FIG. 4

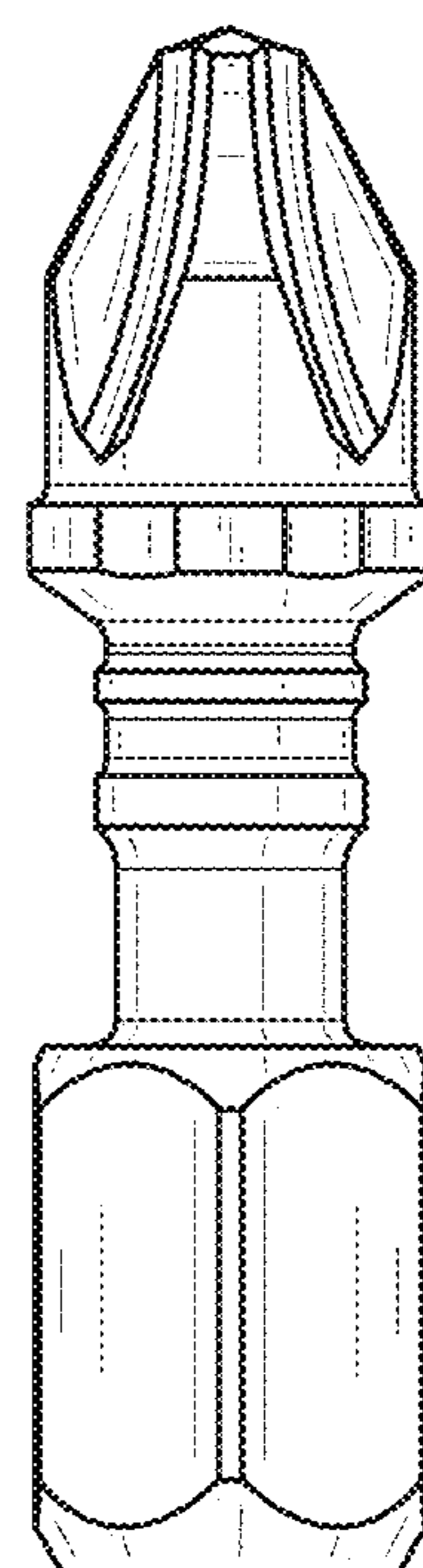


FIG. 6