



US00D885156S

(12) **United States Design Patent**  
**Myerson**

(10) **Patent No.:** **US D885,156 S**

(45) **Date of Patent:** **\*\* May 26, 2020**

(54) **SCOOP HOLDER**

(71) Applicant: **Maurice Myerson**, Atlanta, GA (US)

(72) Inventor: **Maurice Myerson**, Atlanta, GA (US)

(\*\*) Term: **15 Years**

(21) Appl. No.: **29/596,120**

(22) Filed: **Mar. 6, 2017**

(51) **LOC (12) Cl.** ..... **08-05**

(52) **U.S. Cl.**  
USPC ..... **D8/71; D3/304**

(58) **Field of Classification Search**  
USPC ..... D30/162, 161, 199; D9/424, 425, 432,  
D9/430; D6/513; D8/13, 10, 71;  
D7/637

CPC ..... A01K 1/0114; A01K 1/01; A01K 1/011;  
A01K 1/0128; A01K 1/0132; E01H 1/12;  
E01H 1/1206; E01H 2001/122; E01H  
2001/1226; E01H 2001/1233; E01H  
2001/1246; E01H 2001/126; E01H  
2001/1266

See application file for complete search history.

(56) **References Cited**

**U.S. PATENT DOCUMENTS**

D265,152 S *	6/1982	Bruno	.....	D6/525
D386,337 S *	11/1997	Zissu	.....	D6/512
D501,886 S *	2/2005	Chen	.....	D19/77
D602,667 S *	10/2009	Barbieri	.....	D34/1
D608,574 S *	1/2010	Goodman	.....	D6/513
D614,427 S *	4/2010	Nejad	.....	D6/553
D704,949 S *	5/2014	Rodriguez	.....	D6/513
D710,443 S *	8/2014	Stravitz	.....	D19/90
D722,835 S *	2/2015	Dupont	.....	D7/637
D774,762 S *	12/2016	Aller	.....	D3/304

D782,143 S *	3/2017	Divizinskiy	.....	D34/1
D802,973 S *	11/2017	Chang	.....	D6/708.17
D807,664 S *	1/2018	Cohen	.....	D6/536
D816,377 S *	5/2018	Levy	.....	D6/683
D826,714 S *	8/2018	Pipes	.....	D9/456
D831,288 S *	10/2018	Thuma	.....	D34/1
D854,325 S *	7/2019	Myerson	.....	D3/304
D855,264 S *	7/2019	Myerson	.....	D30/199
D871,070 S *	12/2019	Bakker	.....	D3/304

\* cited by examiner

*Primary Examiner* — Keli L Hill

*Assistant Examiner* — Harold E Blackwell, II

(74) *Attorney, Agent, or Firm* — Walter A. Rodgers

(57) **CLAIM**

The ornamental design for a scoop holder, as shown and described.

**DESCRIPTION**

FIG. 1 is a perspective view of a scoop holder showing my new design;

FIG. 2 is a front elevational view thereof;

FIG. 3 is a top plan view thereof;

FIG. 4 is a bottom plan view thereof;

FIG. 5 is a rear elevational view thereof;

FIG. 6 is a left-side elevational view thereof;

FIG. 7 is a right-side view thereof;

FIG. 8 is a perspective view of a second embodiment of FIG. 1, the only difference being the configuration of the clips, it being understood that all other surfaces are the same as those of the first embodiment; and,

FIG. 9 is a perspective view a third embodiment of FIG. 1, the only difference being the configuration of the clips, it being understood that all other surfaces are the same as those of the first embodiment.

**1 Claim, 6 Drawing Sheets**

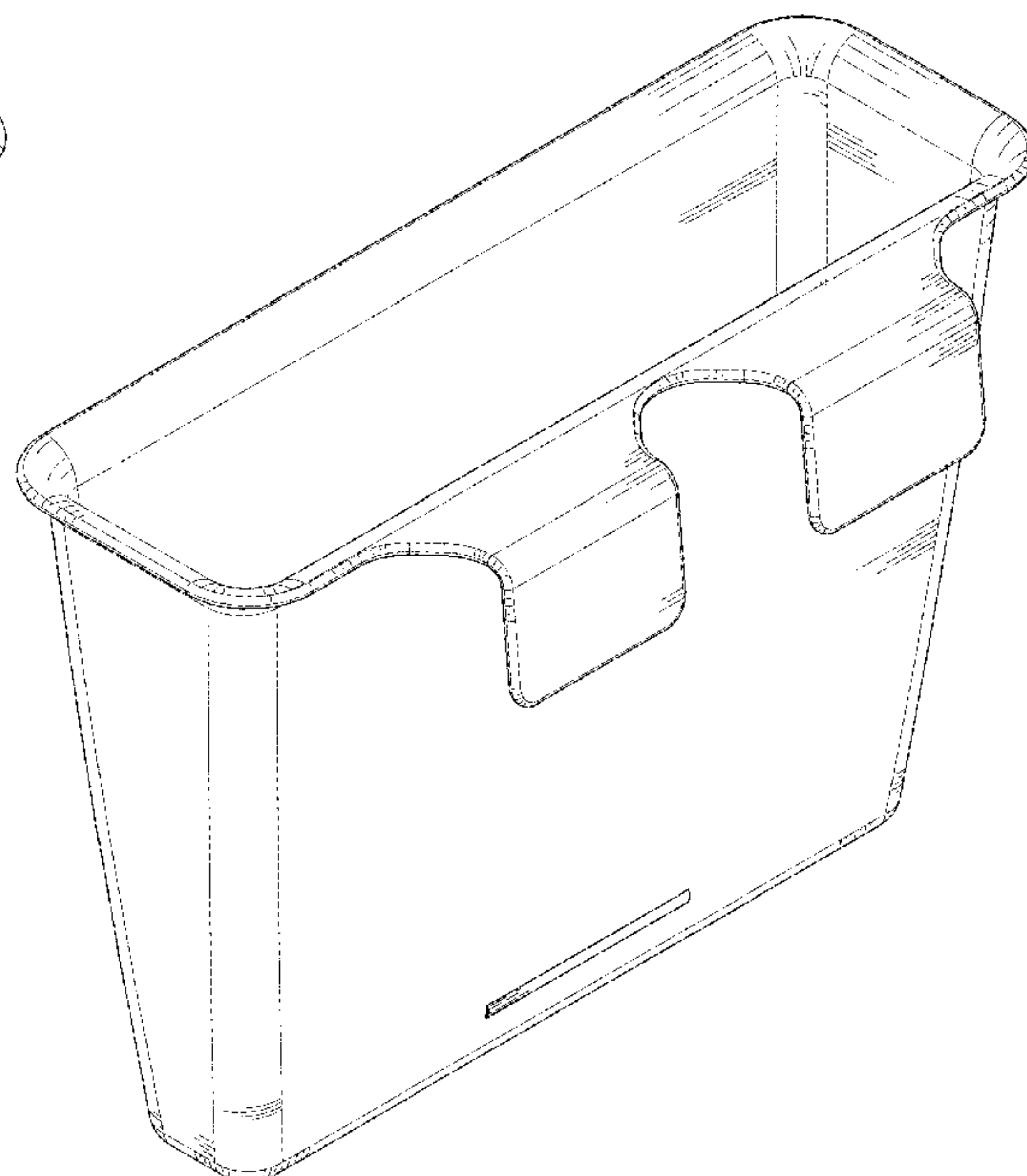
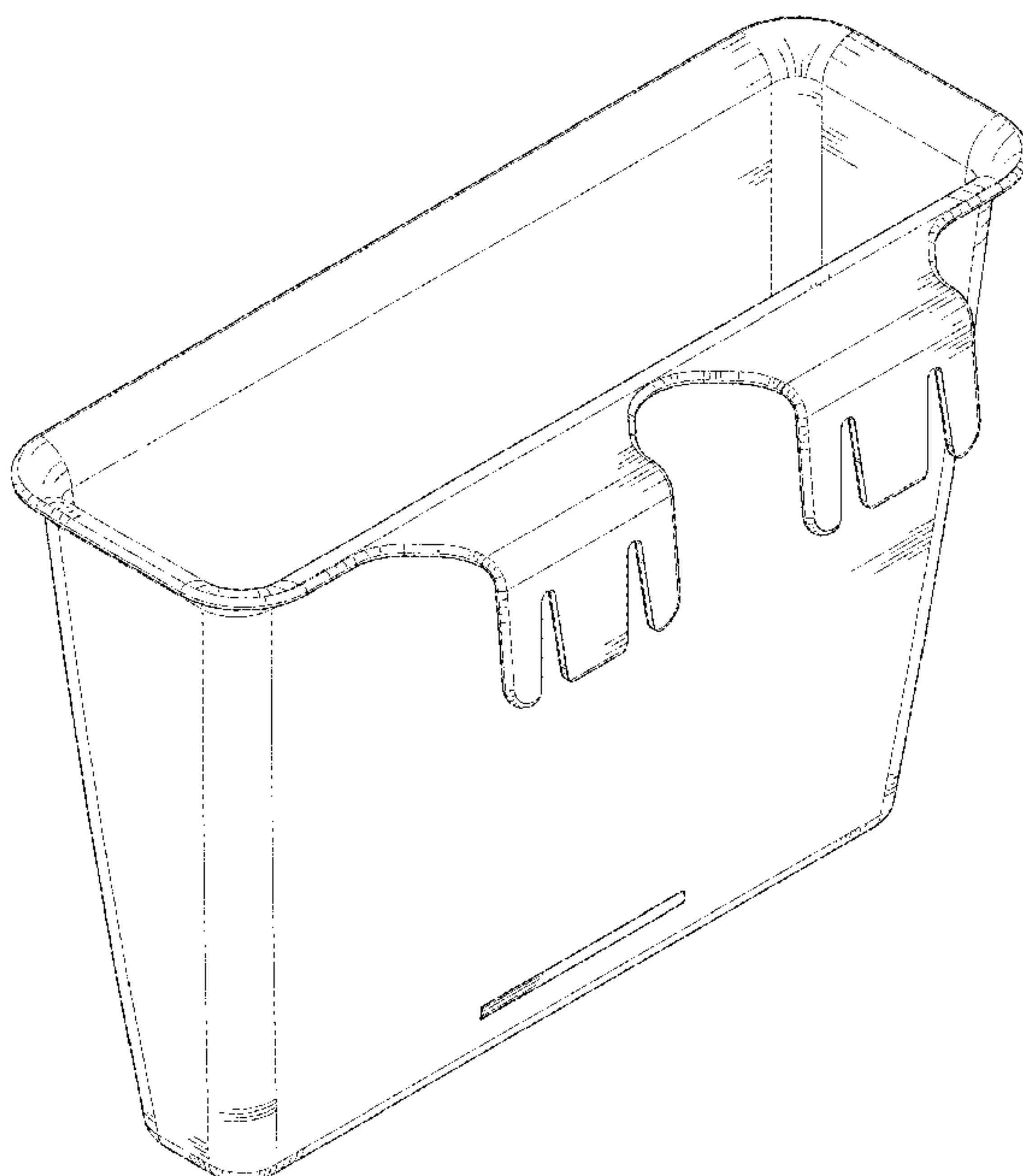


Fig 1

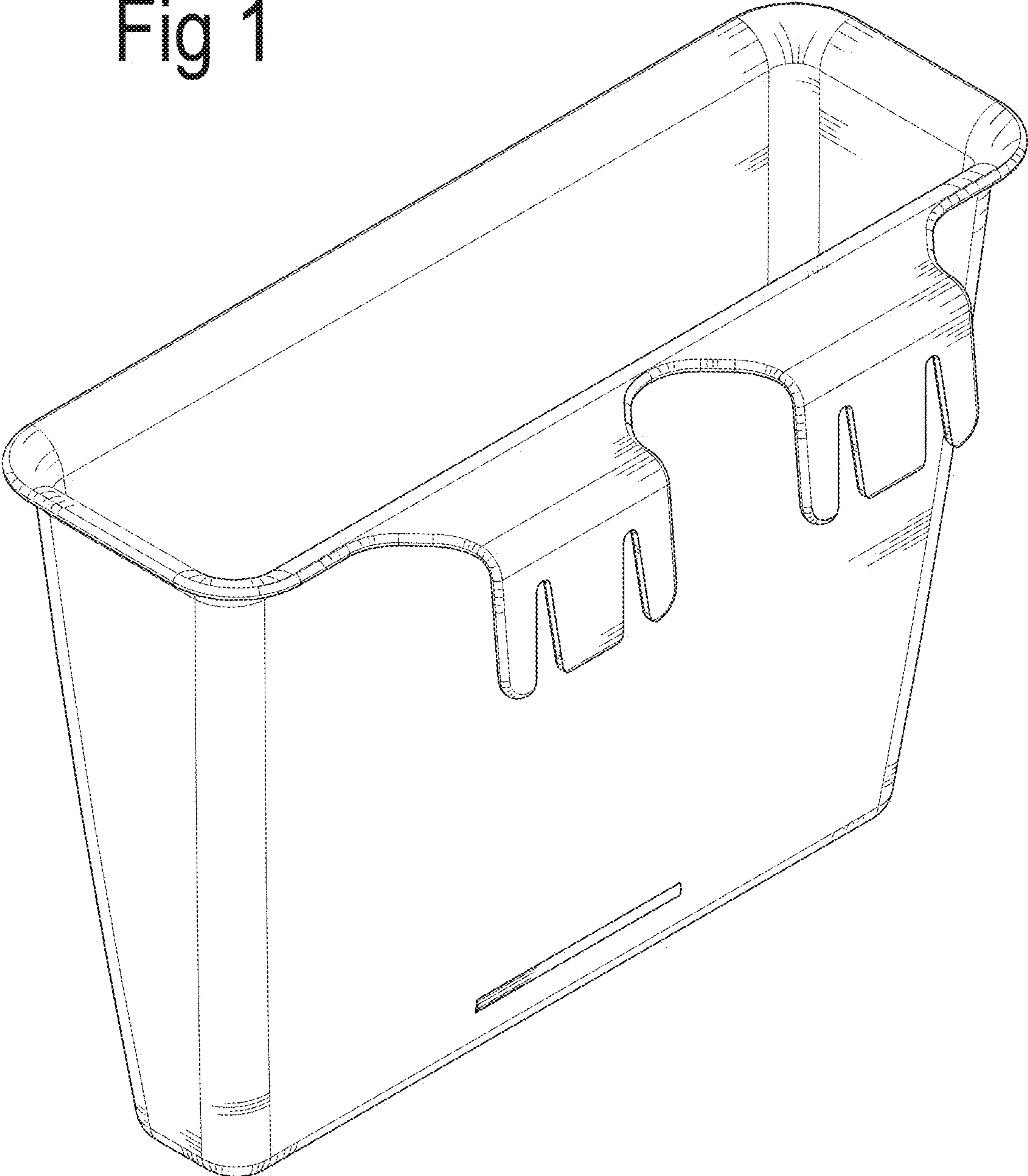


Fig 2

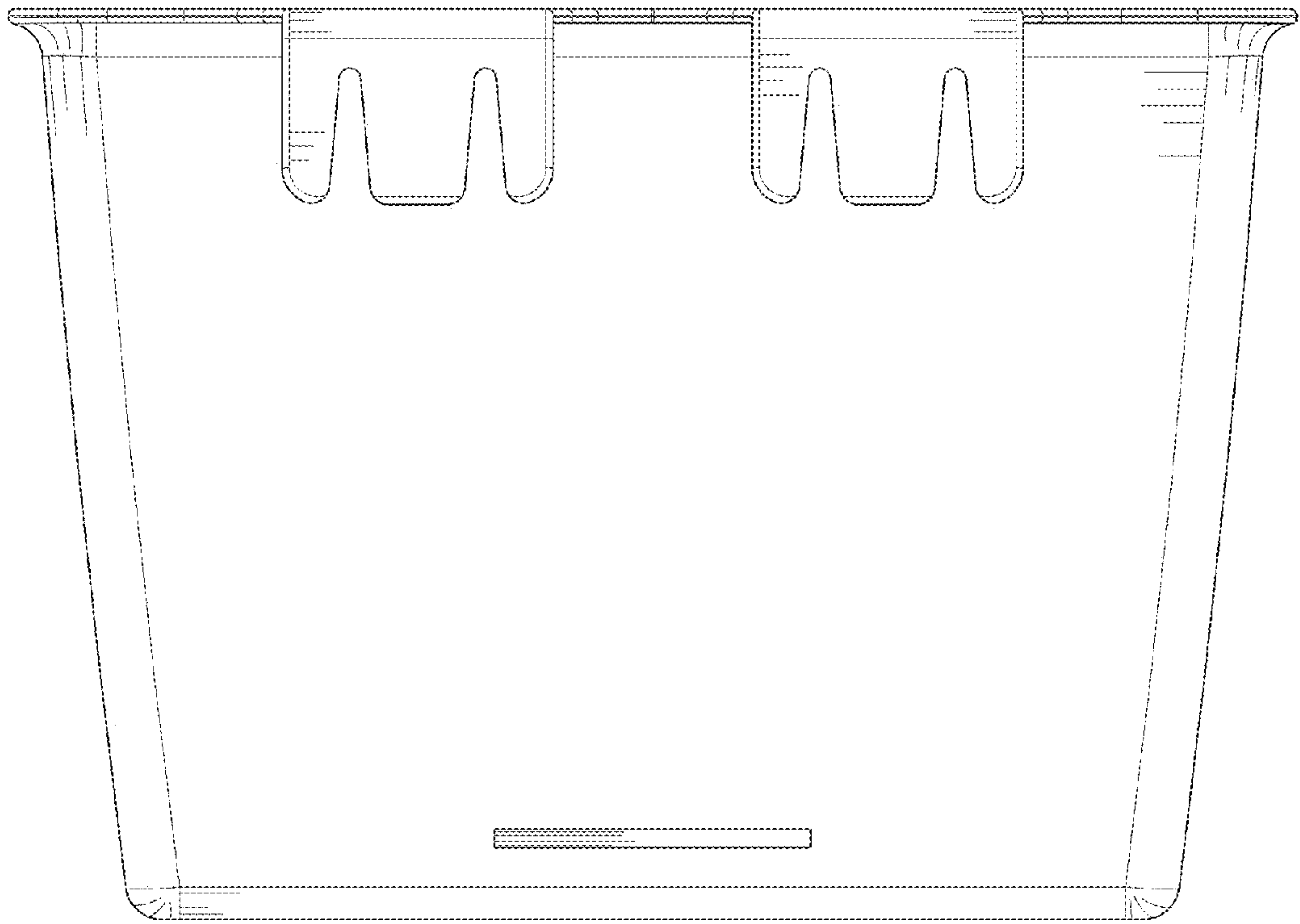


Fig 3

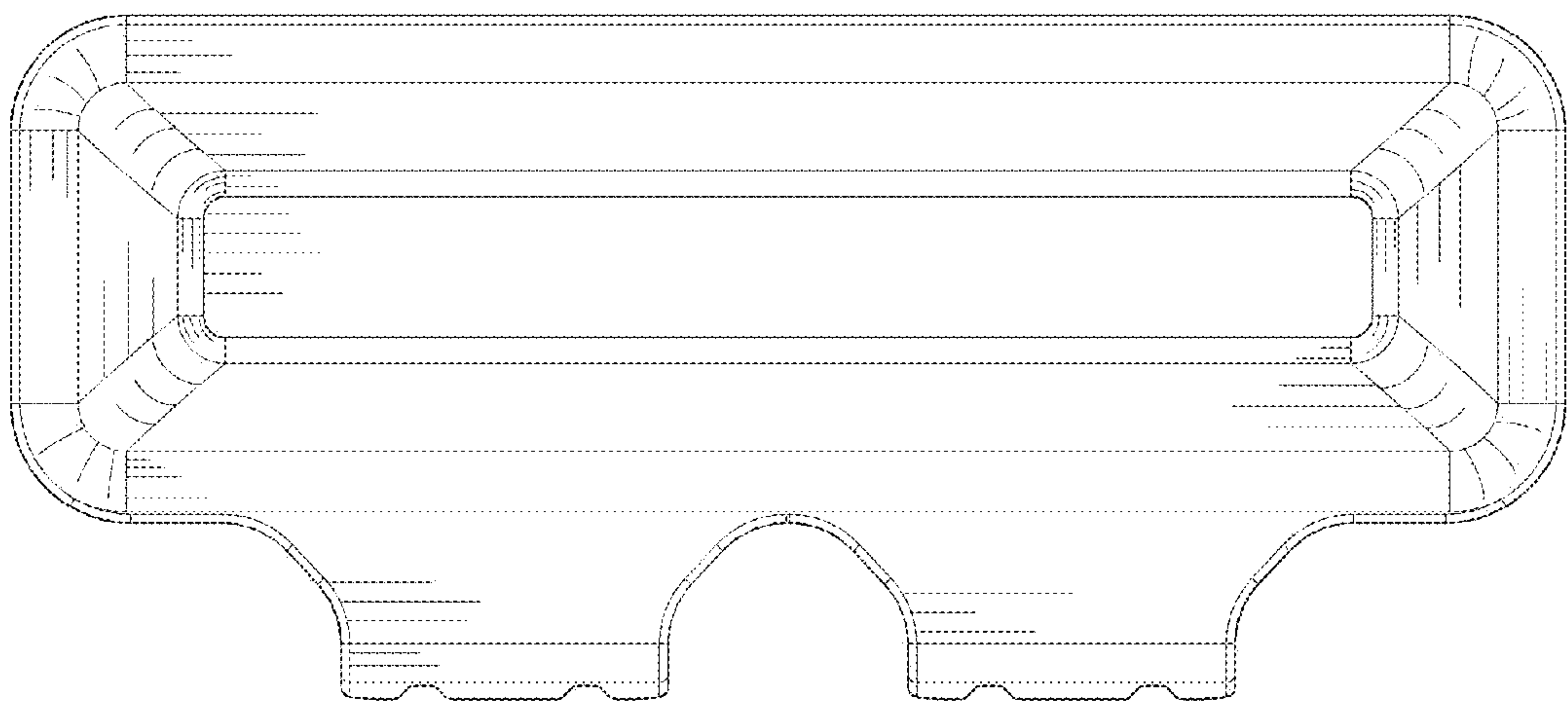


Fig 4

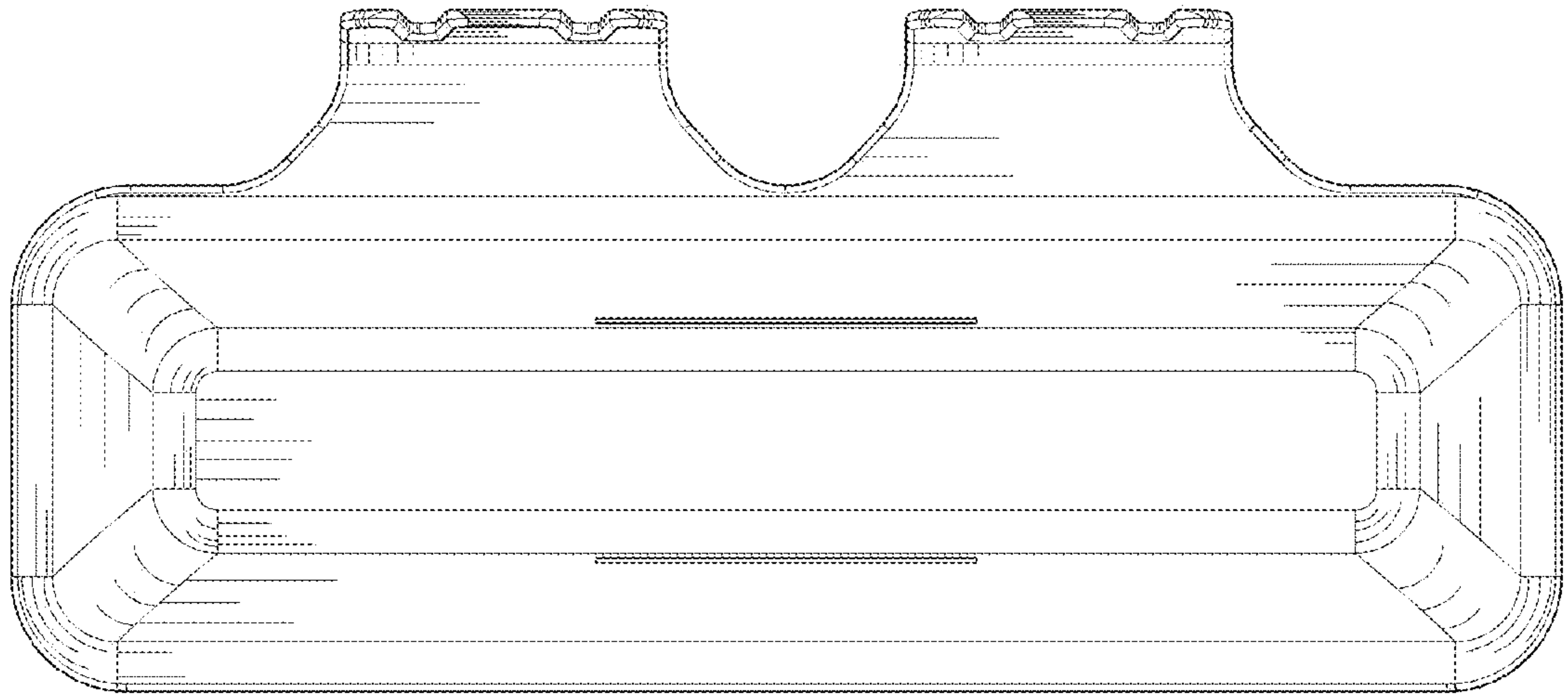


Fig 5

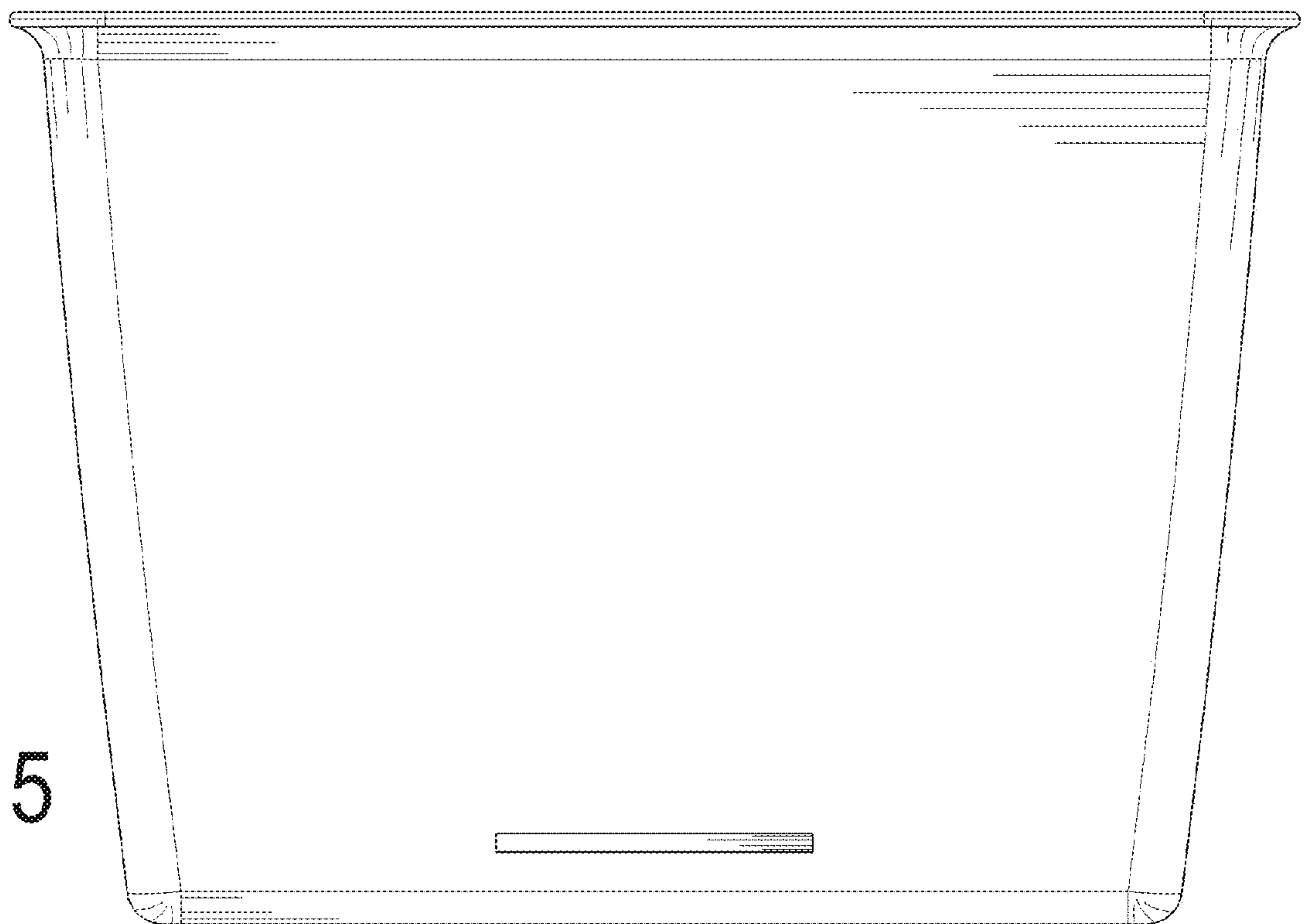




Fig 6

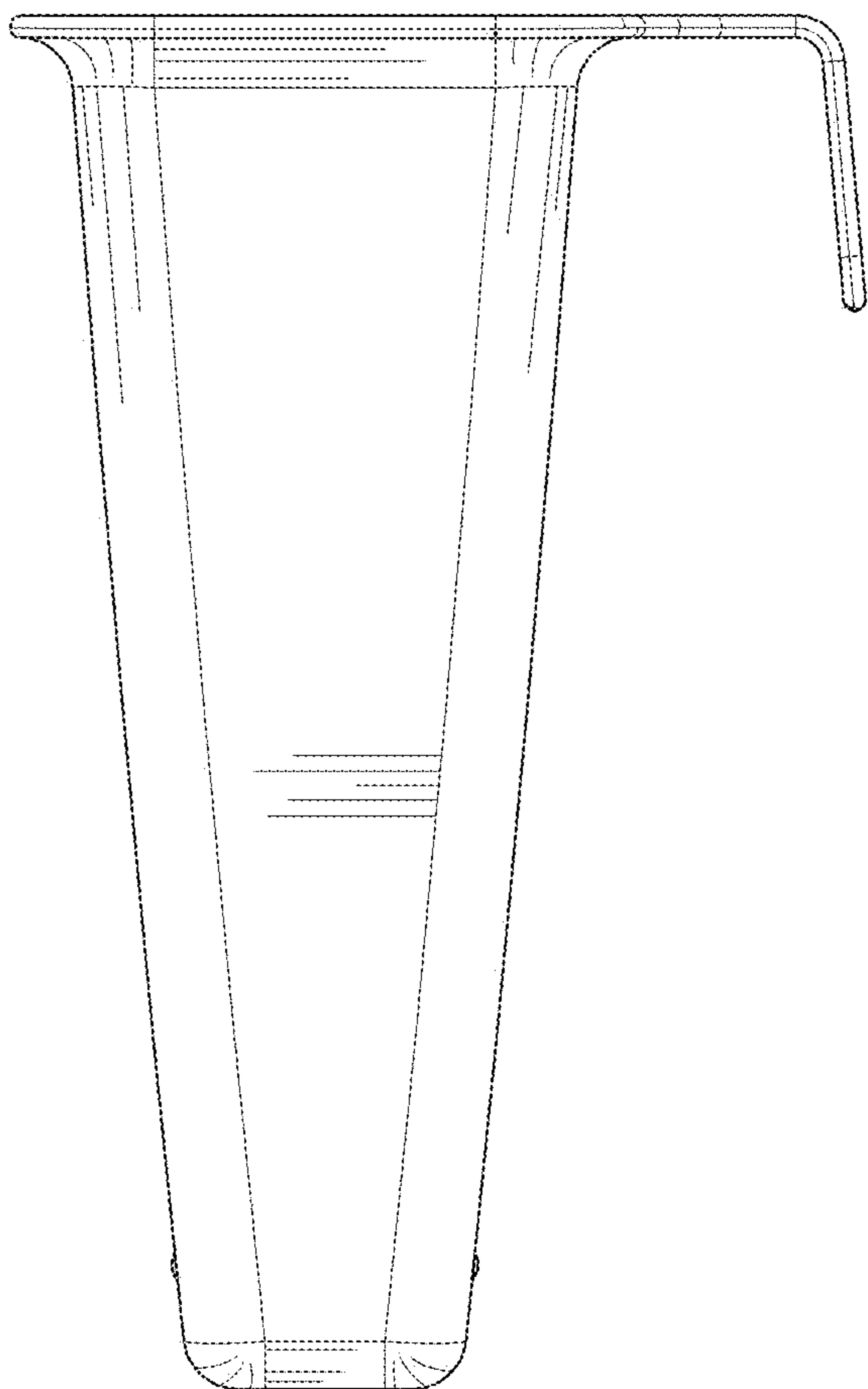


Fig 7

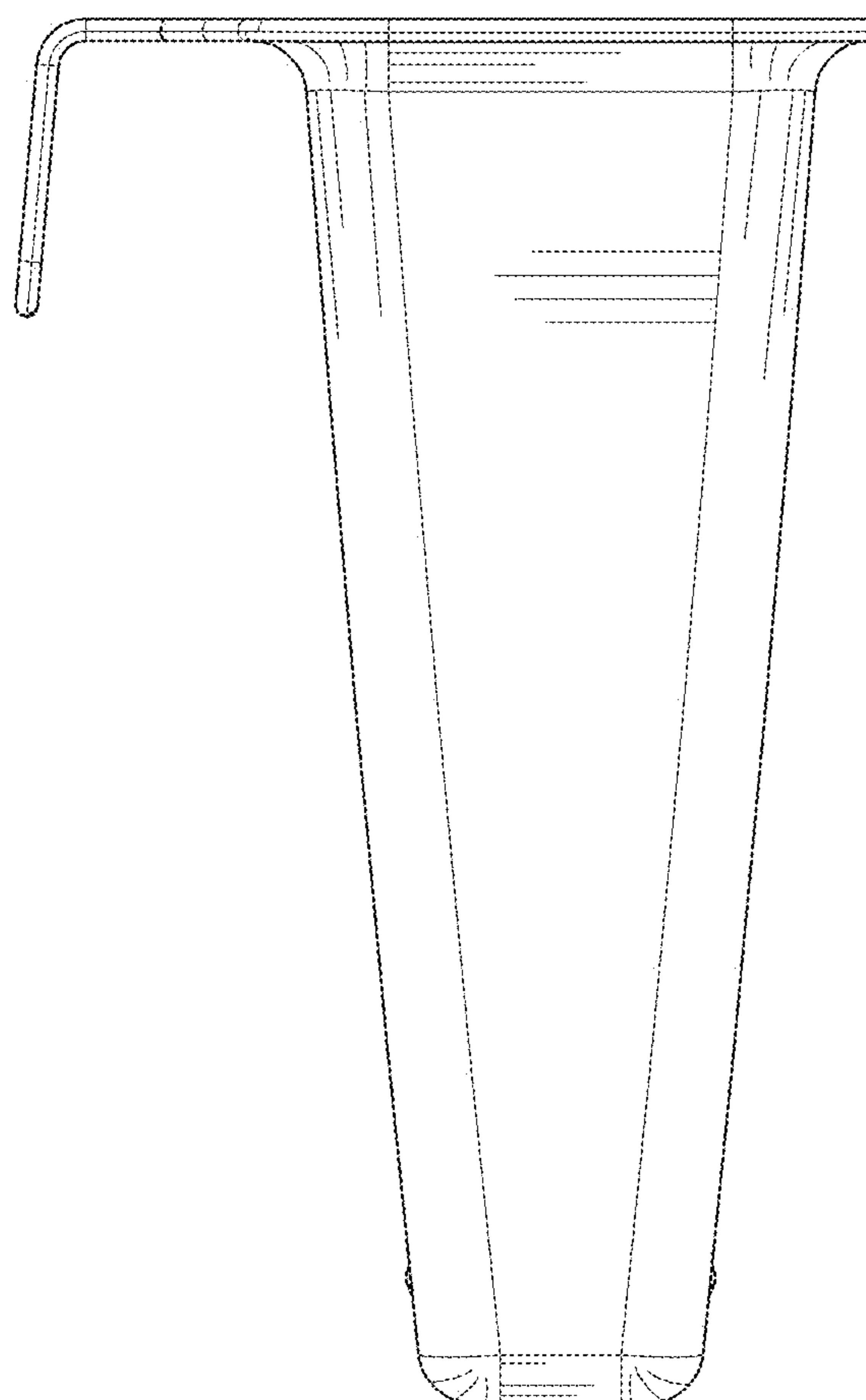


Fig 8

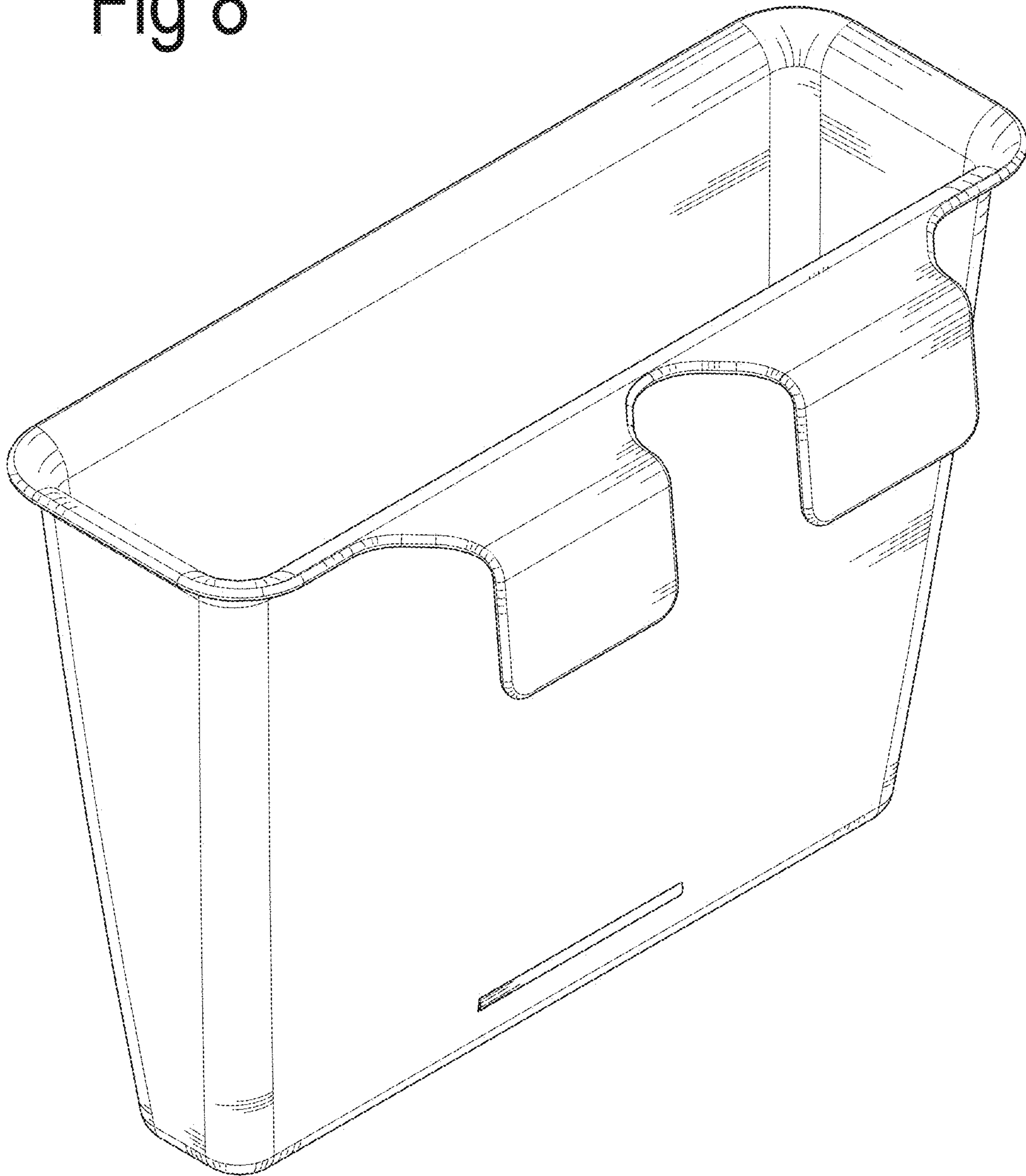


Fig 9

