



US00D885153S

(12) **United States Design Patent** (10) **Patent No.:** **US D885,153 S**
Dombrowski et al. (45) **Date of Patent:** **** May 26, 2020**

(54) **DRYWALL CORNER FLUSHER**
(71) Applicant: **Can-Am Tool Corp.**, Sturgeon County (CA)
(72) Inventors: **Wolfgang Dombrowski**, Sturgeon County (CA); **Jimmy Rogers**, Toronto (CA); **Micah Warkentin**, Edmonton (CA)
(73) Assignee: **CAN-AM TOOL CORP.**, Sturgeon County (CA)

6,247,868 B1 6/2001 Burton
7,246,402 B2 * 7/2007 Washburn E04F 21/1655
15/235.7
7,674,059 B2 * 3/2010 Daigle B05C 17/00516
401/265
8,628,318 B1 * 1/2014 Jalbert E04F 21/1655
425/87
D771,455 S * 11/2016 Ovens D8/45
10,161,144 B2 * 12/2018 Dombrowski E04F 21/1655
D848,805 S * 5/2019 Dombrowski D8/45
2005/0003682 A1 1/2005 Brazas
2005/0106278 A1 * 5/2005 Hall B05C 17/00516
425/87
2007/0206985 A1 * 9/2007 Daigle B05C 17/00516
401/9
2009/0041536 A1 * 2/2009 Cole E04F 21/00
403/122

(**) Term: **15 Years**

(21) Appl. No.: **29/653,703**

(Continued)

(22) Filed: **Jun. 18, 2018**

FOREIGN PATENT DOCUMENTS

(30) **Foreign Application Priority Data**

CA 172511 1/2018

Dec. 19, 2017 (CA) 178710

Primary Examiner — Philip S Hyder

(51) **LOC (12) Cl.** **08-05**

(74) *Attorney, Agent, or Firm* — Davis & Bujold PLLC;

(52) **U.S. Cl.**

Michael J. Bujold

USPC **D8/45**

(58) **Field of Classification Search**

(57) **CLAIM**

USPC D8/14, 45
CPC . E04F 21/165; E04F 21/1652; E04F 21/1655;
B05C 17/00516; B05C 17/00503; B05C
17/10

We claim the ornamental design for a drywall corner flusher, as shown and described.

See application file for complete search history.

DESCRIPTION

(56) **References Cited**

FIG. 1 is a rear perspective view of the drywall corner flusher.

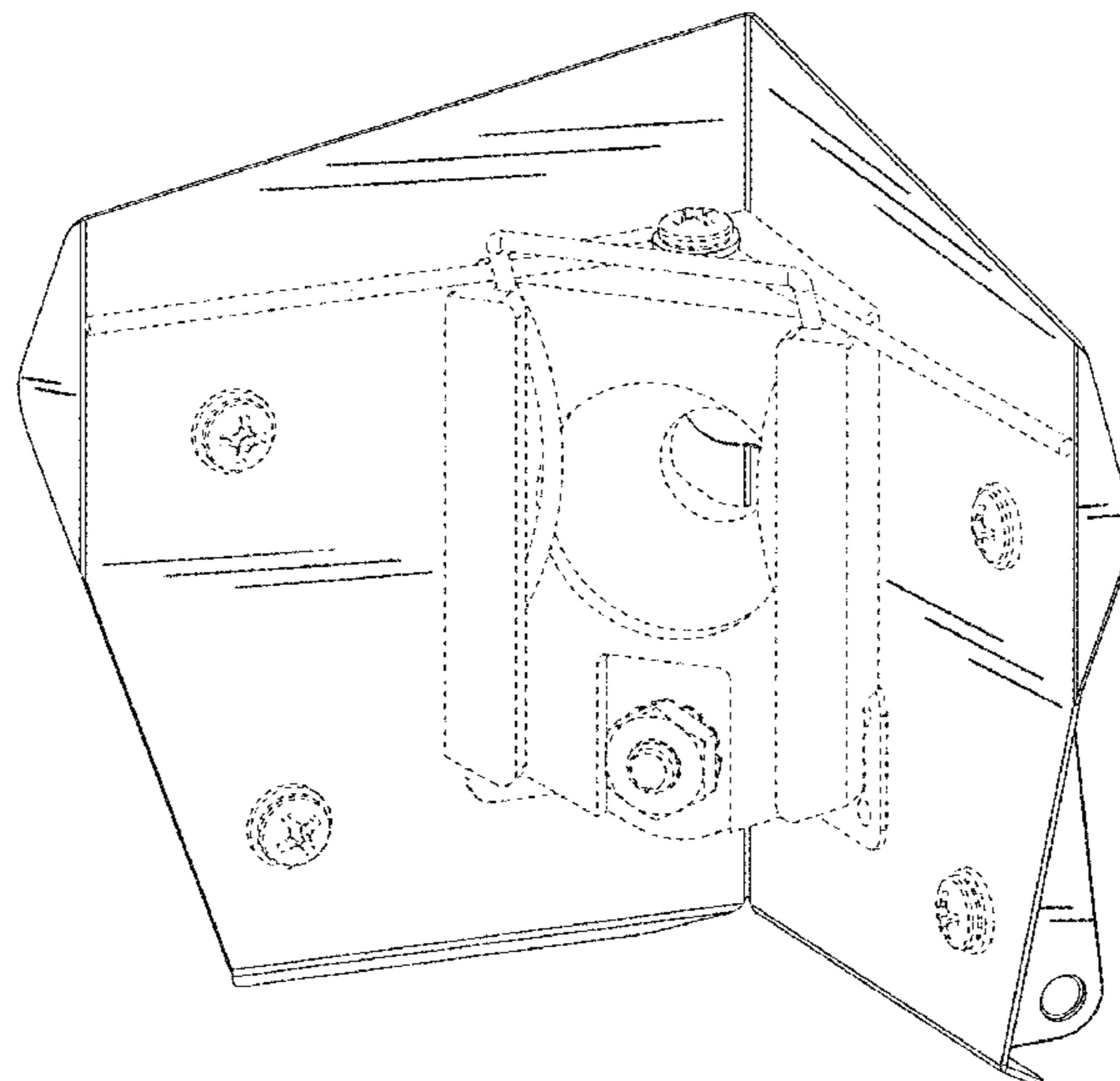
U.S. PATENT DOCUMENTS

5,263,836 A * 11/1993 Tinawong E04F 21/00
15/235.7
5,562,357 A 10/1996 Sandell
6,113,301 A 9/2000 Burton
6,155,809 A * 12/2000 Edwards B05C 17/00503
15/235.7

FIG. 2 is a front elevation view of the drywall corner flusher.
FIG. 3 is a side elevation view of the drywall corner flusher; and,

FIG. 4 is a top plan view of the drywall corner flusher.
The broken lines depict portions of the drywall corner finisher in which the design is embodied that are not considered part of the claimed design.

1 Claim, 4 Drawing Sheets



(56)

References Cited

U.S. PATENT DOCUMENTS

2009/0047882 A1* 2/2009 Collins B24D 15/02
451/524
2016/0116828 A1 4/2016 Clearman
2016/0341243 A1 11/2016 Ingrassia
2018/0187427 A1* 7/2018 Dombrowski E04F 21/1655

* cited by examiner

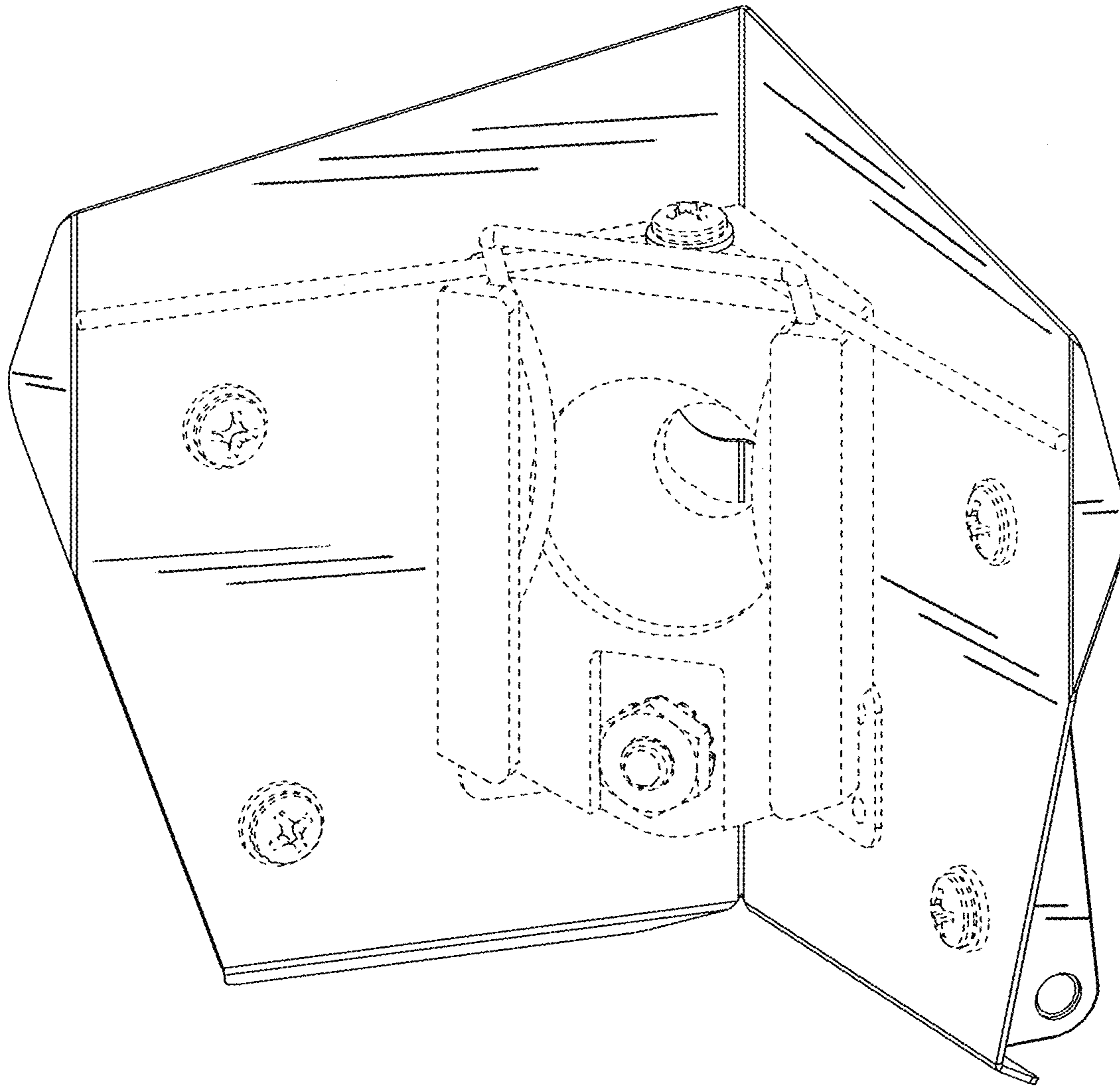


FIG. 1

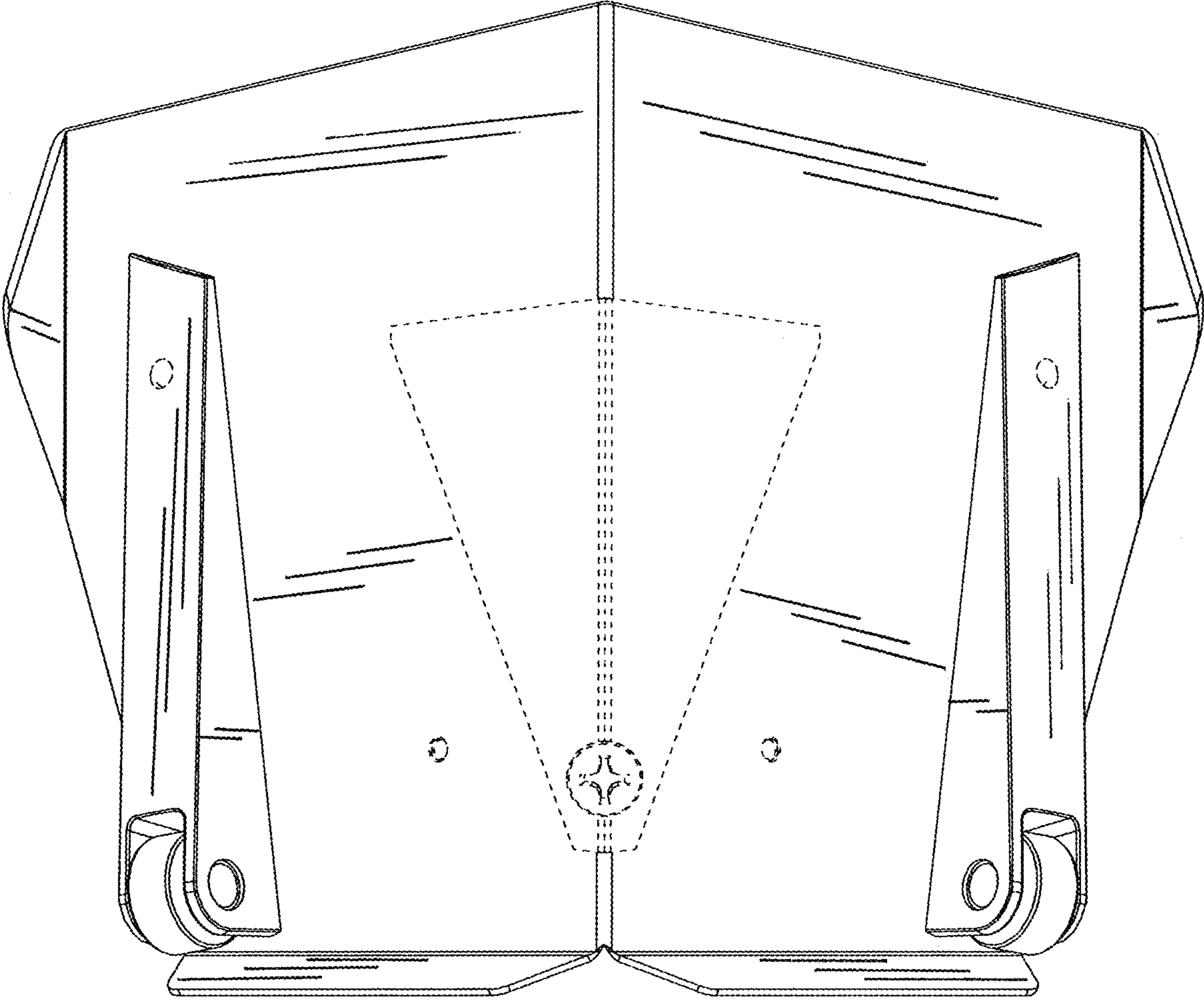


FIG. 2

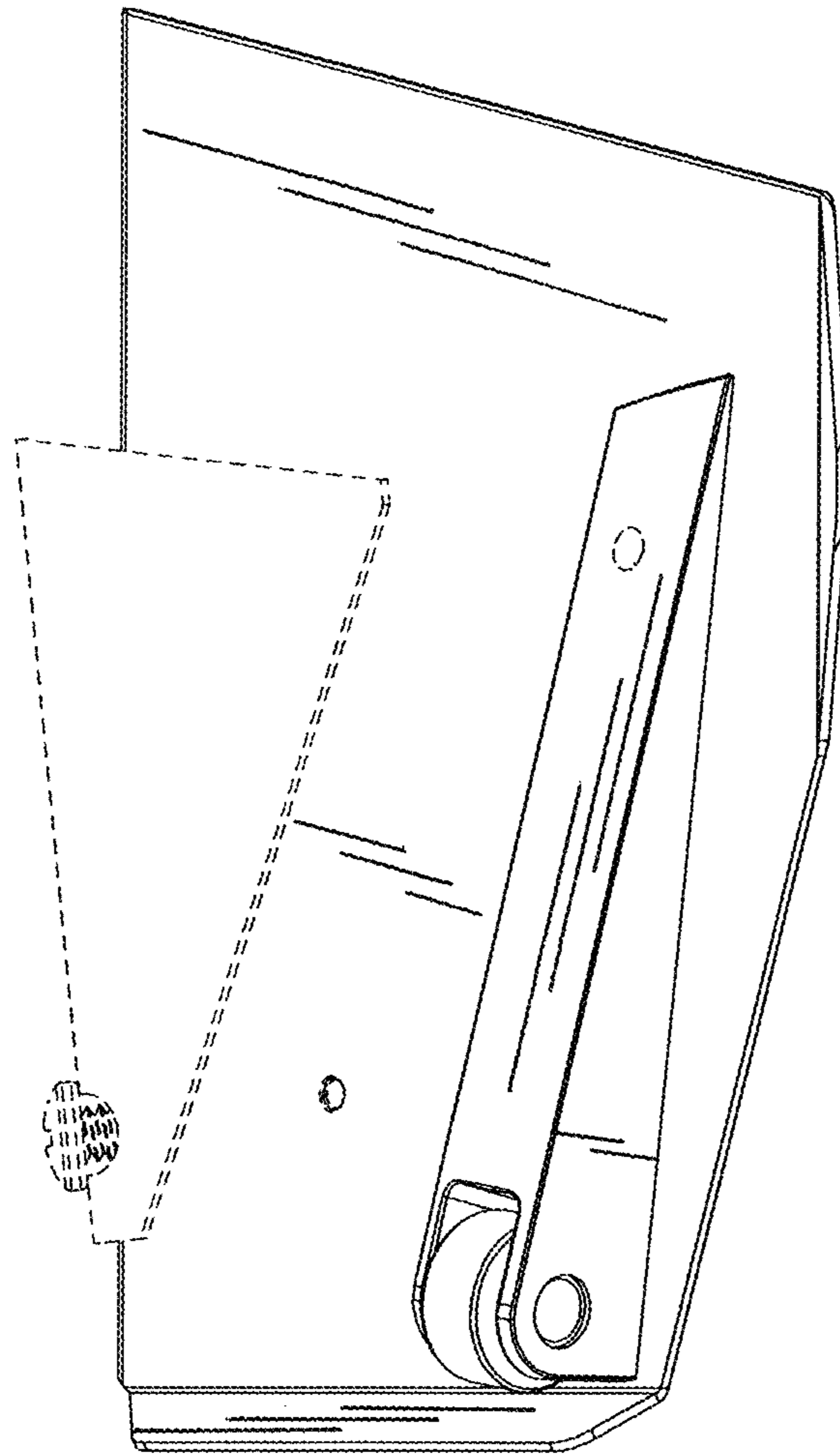


FIG. 3

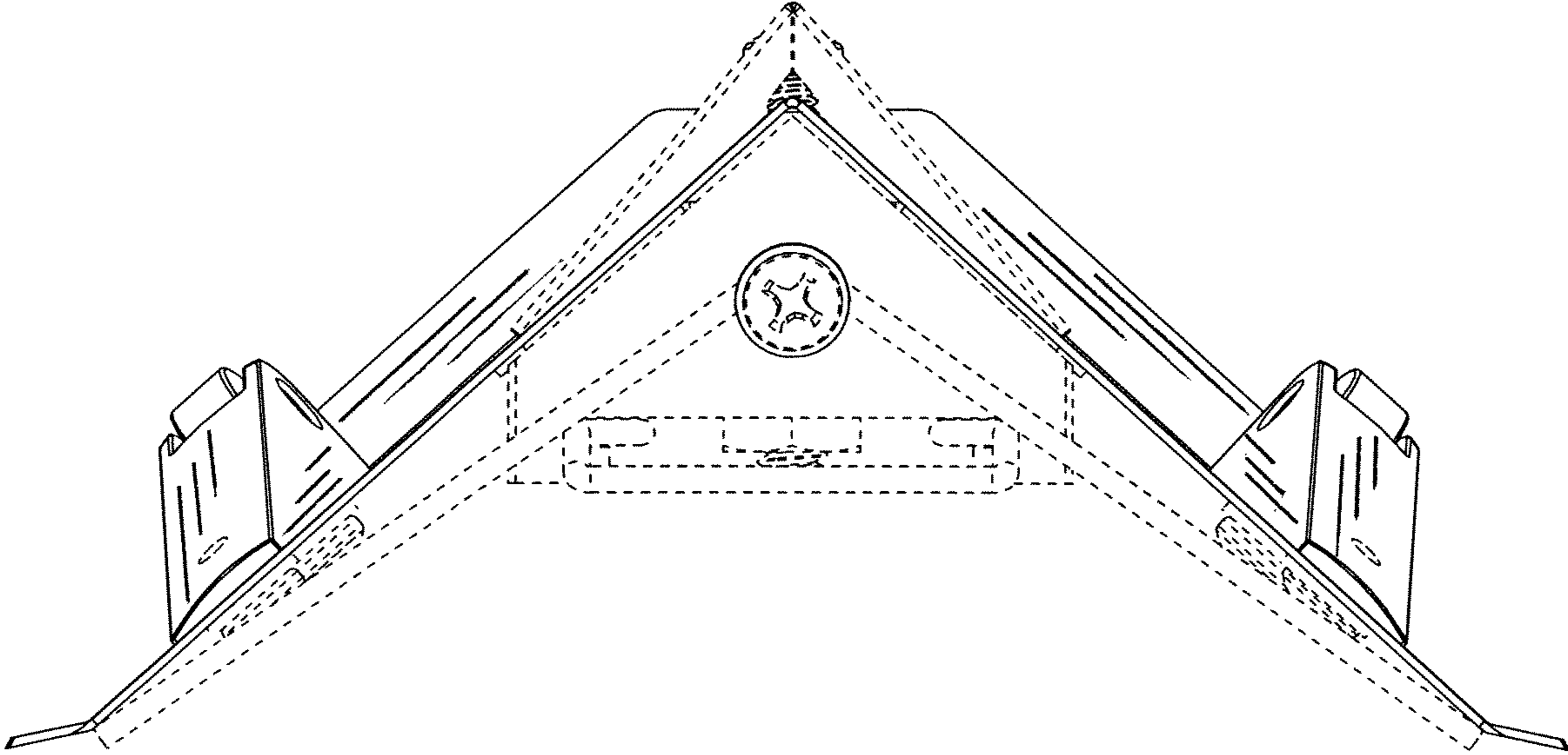


FIG. 4