



US00D885152S

(12) **United States Design Patent** (10) **Patent No.:** **US D885,152 S**
Chavez et al. (45) **Date of Patent:** **** May 26, 2020**

- (54) **PIPE SEAL SCRAPER TOOL**
- (71) Applicants: **Adrian Chavez**, Weslaco, TX (US);
Armando Ramirez, Alamo, TX (US)
- (72) Inventors: **Adrian Chavez**, Weslaco, TX (US);
Armando Ramirez, Alamo, TX (US)
- (**) Term: **15 Years**
- (21) Appl. No.: **29/678,696**
- (22) Filed: **Jan. 30, 2019**
- (51) **LOC (12) Cl.** **08-05**
- (52) **U.S. Cl.**
USPC **D8/19; D32/46**
- (58) **Field of Classification Search**
USPC D8/14, 16, 17, 19, 45, 47; D32/40, 41,
D32/42, 46; 15/236.01; 30/169
CPC B23D 79/08; B08B 1/005; A47L 13/02;
A47L 13/08
See application file for complete search history.

D594,298 S *	6/2009	Kliskey	D8/16
D594,720 S *	6/2009	Kliskey	D8/16
D638,184 S *	5/2011	Lesche	D32/46
D700,816 S *	3/2014	Oachs	D8/19
D700,817 S *	3/2014	Oachs	D8/19
D705,621 S *	5/2014	Tygh	D8/19
D706,100 S *	6/2014	Olson	D8/20
D752,407 S *	3/2016	Johnson	D8/76
9,765,535 B2 *	9/2017	Montgomery	B26B 11/006
2019/0375035 A1 *	12/2019	Chavez, Jr.	B23D 79/08

* cited by examiner

Primary Examiner — Philip S Hyder
(74) *Attorney, Agent, or Firm* — Law Office of Jeff Williams PLLC; J. Oliver Williams

(57) **CLAIM**

The ornamental design for a pipe seal scraper tool, as shown and described.

DESCRIPTION

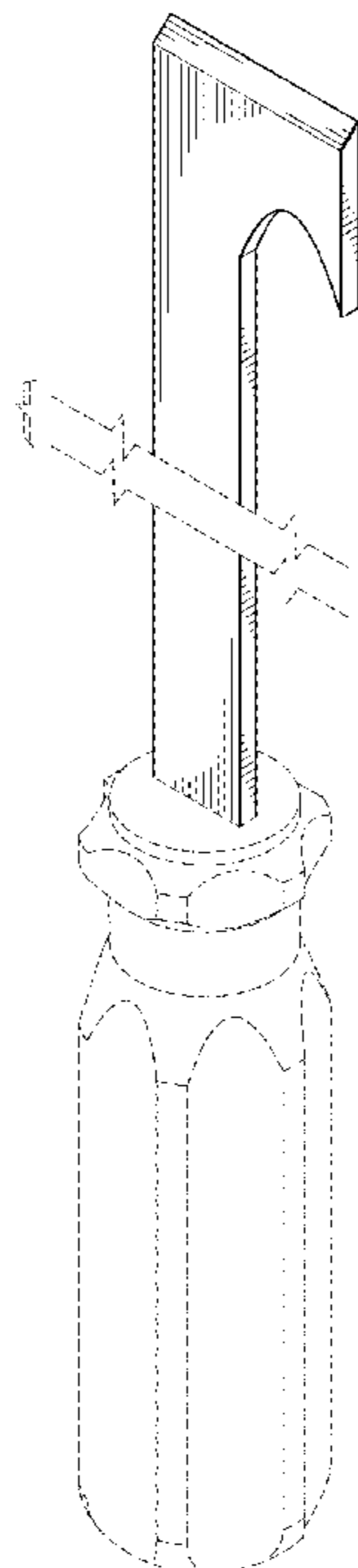
FIG. 1 is a front perspective view of a pipe seal scraper tool according to the present application.
FIG. 2 is a front view of the pipe seal scraper tool of FIG. 1.
FIG. 3 is a rear view of the pipe seal scraper tool of FIG. 1.
FIG. 4 is a right view of the pipe seal scraper tool of FIG. 1.
FIG. 5 is a left view of the pipe seal scraper tool of FIG. 1.
FIG. 6 is a top view of the pipe seal scraper tool of FIG. 1; and,
FIG. 7 is a bottom view of the pipe seal scraper tool of FIG. 1.
The broken lines are included for the purpose of illustrating environmental structure and form no part of the claimed design.

1 Claim, 4 Drawing Sheets

(56) **References Cited**

U.S. PATENT DOCUMENTS

D357,775 S *	4/1995	Panchuk	D32/35
5,437,074 A *	8/1995	White	A47L 13/02
				15/105
D363,422 S *	10/1995	Bachant	D8/98
D386,857 S *	11/1997	Lawrence	D32/35
D405,688 S *	2/1999	Lee	D9/415
D435,408 S *	12/2000	Panfili	D8/105
D468,977 S *	1/2003	Graff	D8/19
D507,728 S *	7/2005	Graff	D8/18
D516,394 S *	3/2006	Chen	D8/16
D520,827 S *	5/2006	Denton	D8/45
D573,855 S *	7/2008	Khechoyan	D8/19



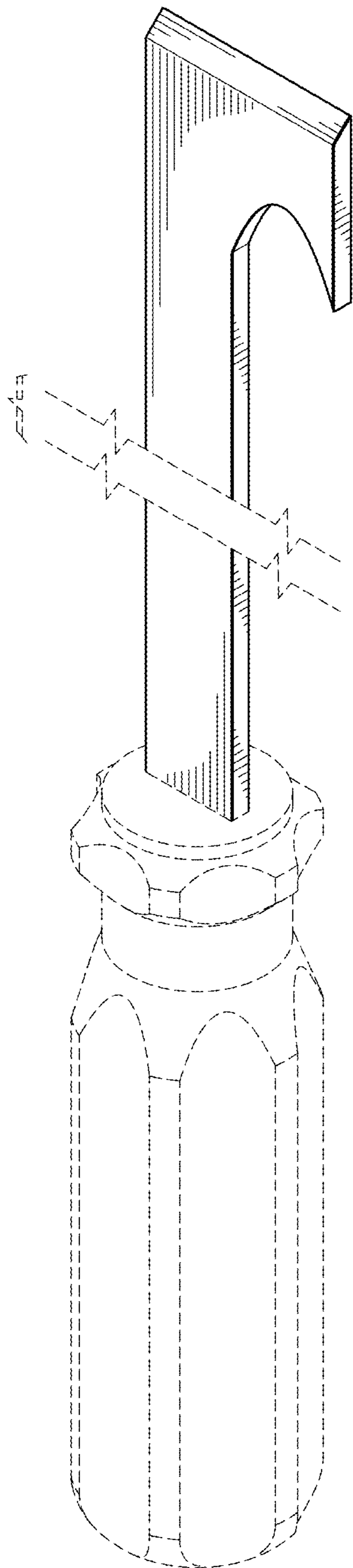


FIG. 1

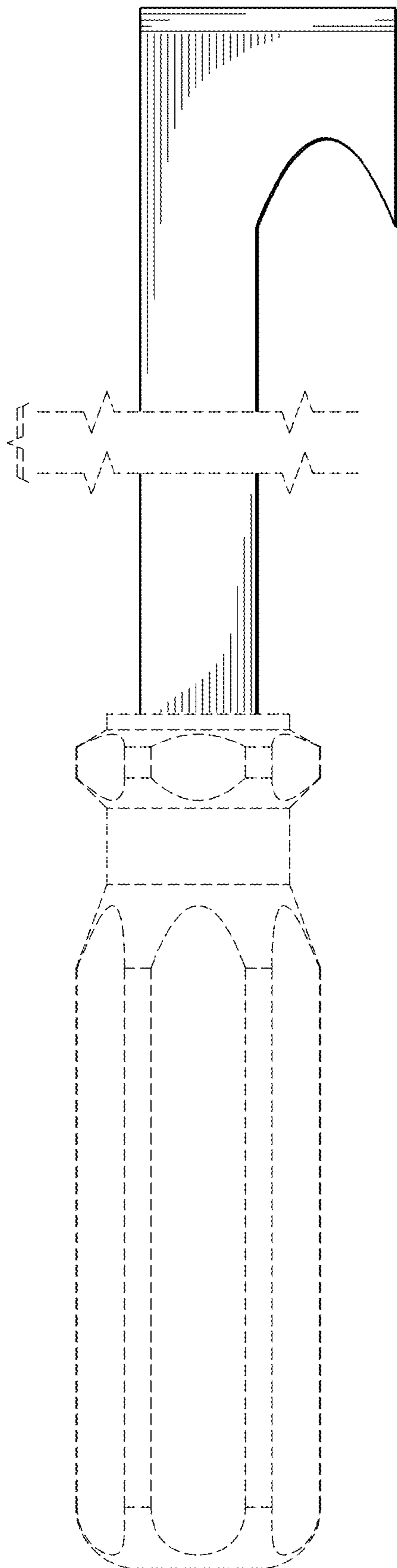


FIG. 2

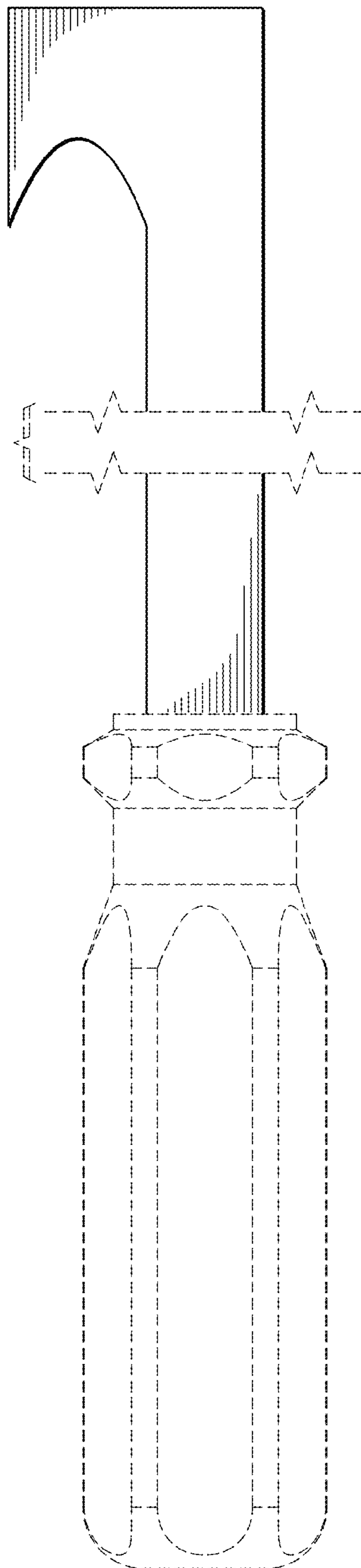


FIG. 3

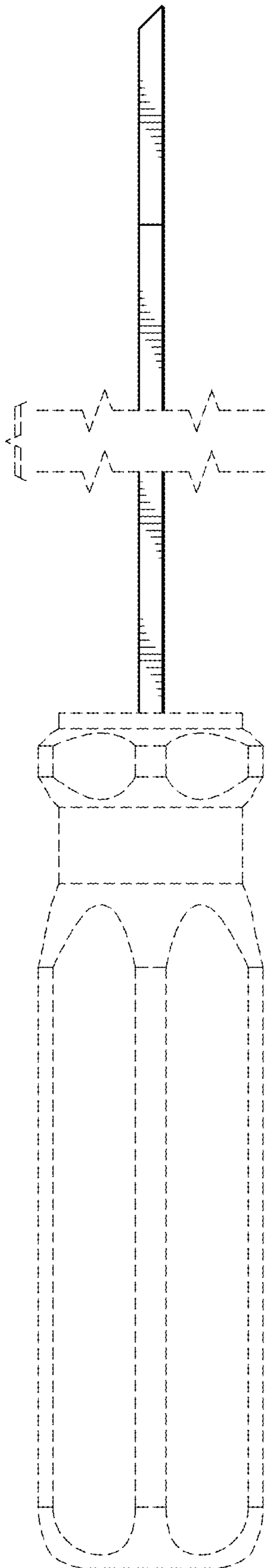


FIG. 4

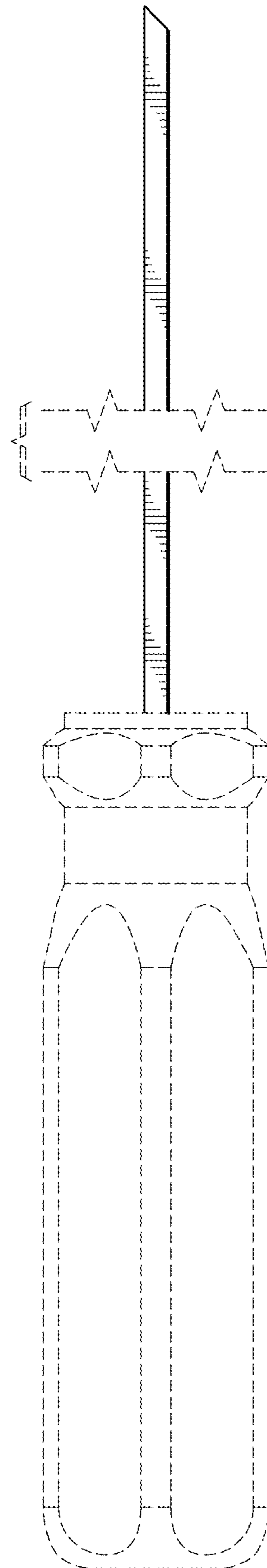


FIG. 5

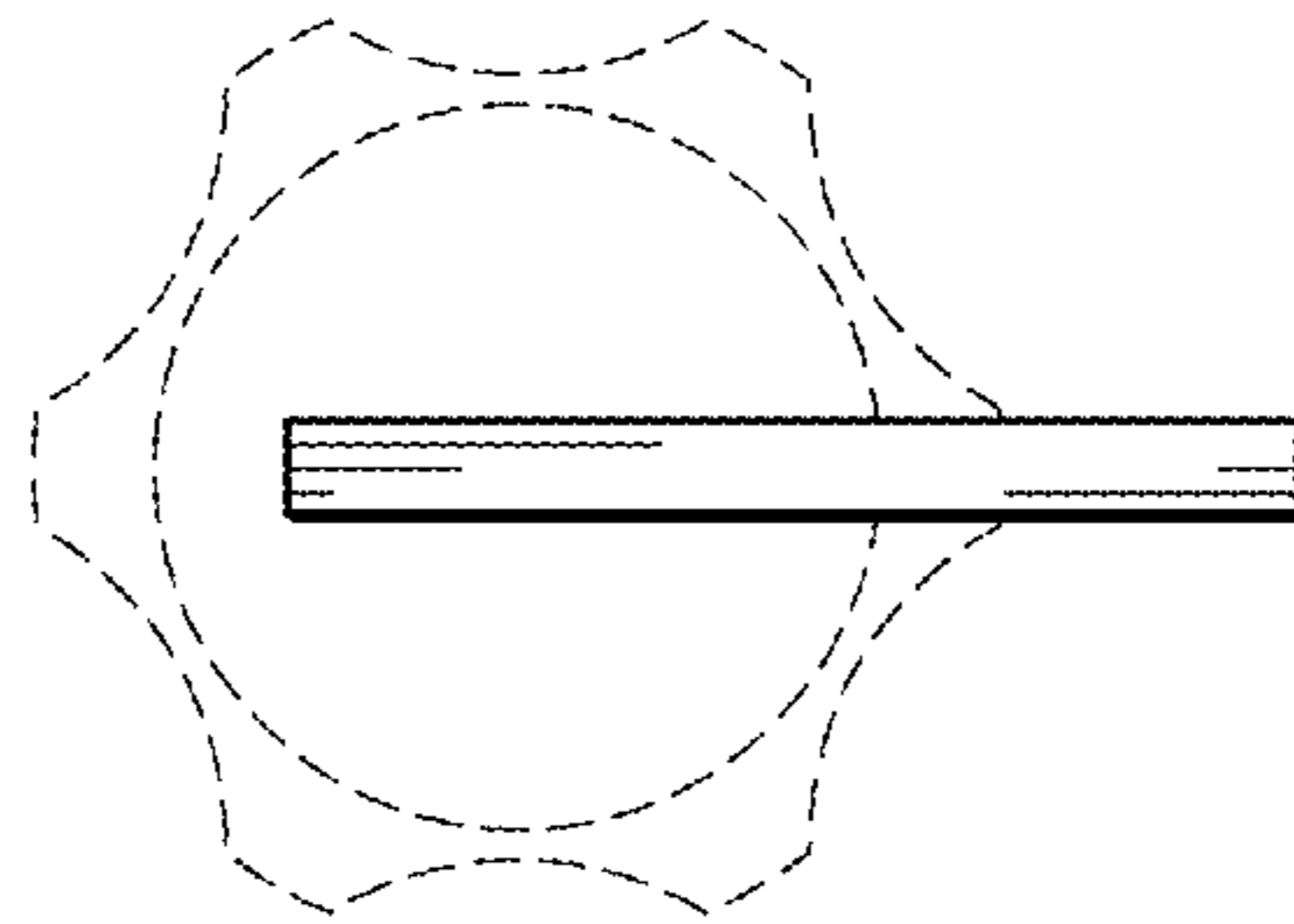


FIG. 6

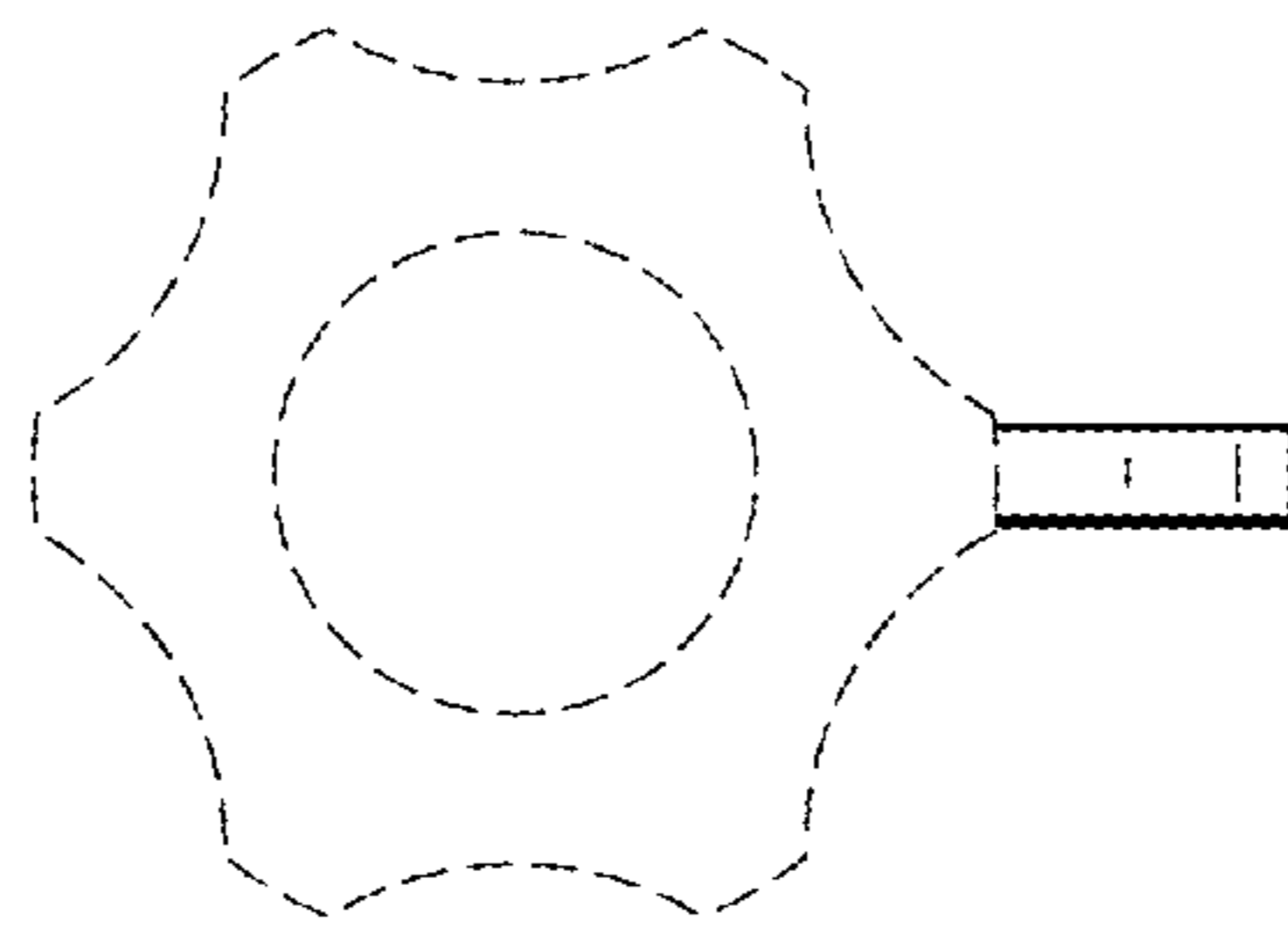


FIG. 7