



US00D885150S

(12) **United States Design Patent**  
**Childs**

(10) **Patent No.:** **US D885,150 S**

(45) **Date of Patent:** **\*\* May 26, 2020**

(54) **CAULKING GUN**

D511,445 S \* 11/2005 Childs ..... D8/14.1  
7,073,691 B2 \* 7/2006 Rumrill ..... B05C 17/01  
222/327

(71) Applicant: **Larry Childs**, Cotati, CA (US)

D719,425 S \* 12/2014 Weiser ..... D8/14.1

(72) Inventor: **Larry Childs**, Cotati, CA (US)

2018/0056324 A1 \* 3/2018 Springhorn ..... B05C 17/00583  
2018/0318870 A1 \* 11/2018 Hung ..... B05C 17/00506

(73) Assignee: **Dripless, Inc**, Santa Rosa, CA (US)

\* cited by examiner

(\*\*) Term: **15 Years**

*Primary Examiner* — Philip S Hyder

(21) Appl. No.: **29/669,374**

(74) *Attorney, Agent, or Firm* — Steven A. Nielsen;  
www.NielsenPatents.com

(22) Filed: **Nov. 7, 2018**

(57) **CLAIM**

(51) **LOC (12) Cl.** ..... **08-05**

The ornamental design for a caulking gun, as shown and described.

(52) **U.S. Cl.**

USPC ..... **D8/14.1**

**DESCRIPTION**

(58) **Field of Classification Search**

USPC ..... D8/14, 14.1, 51, 68  
CPC ..... B05C 1/00; B05C 17/00; B05C 17/01;  
B05C 17/0016; B05C 17/0123; B05C  
21/00; B05C 17/00583

See application file for complete search history.

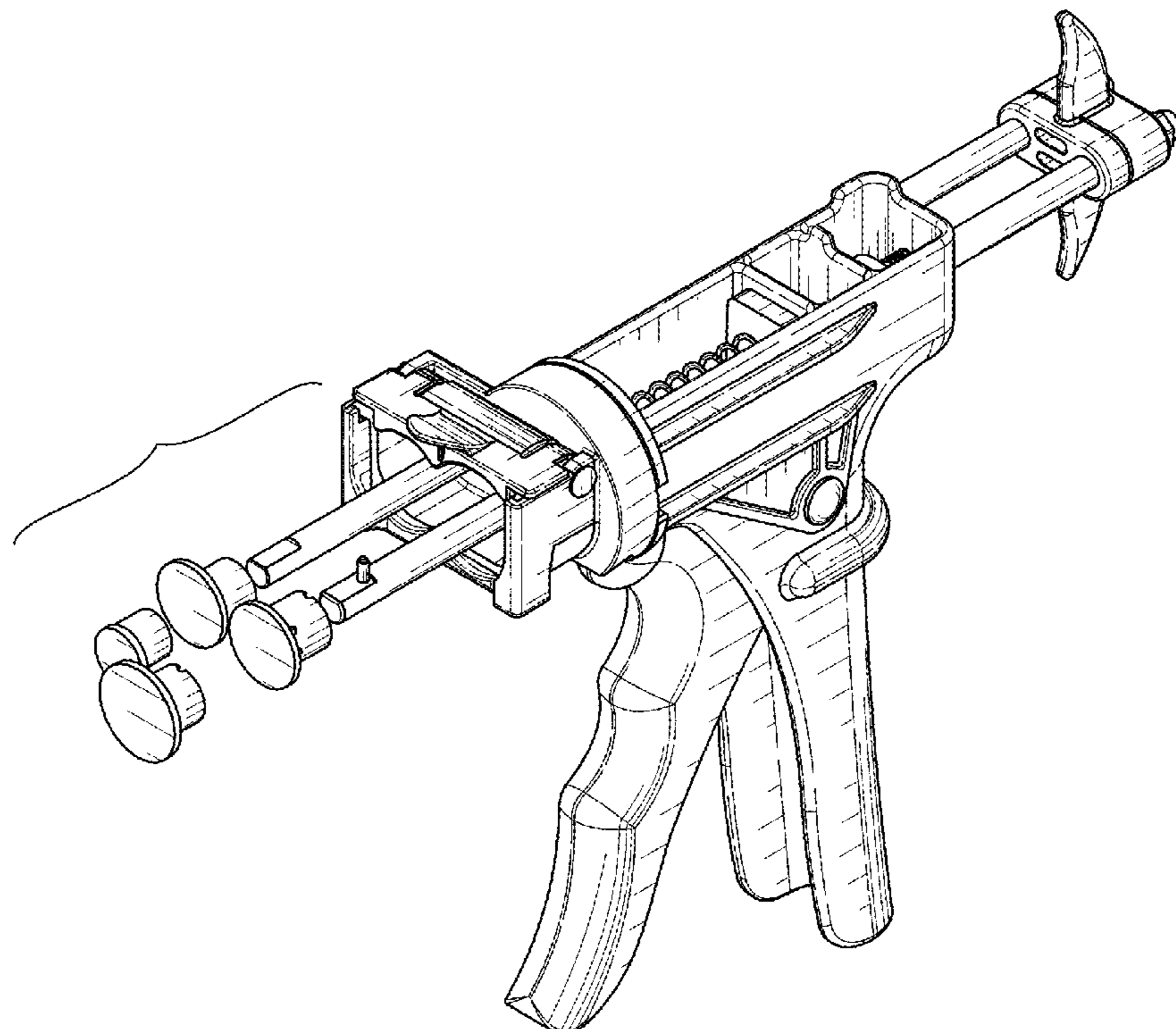
FIG. 1 is a top and side perspective view of a caulking gun showing the new design, wherein the four end pieces are shown exploded;  
FIG. 2 is a right side elevation view thereof, wherein the four end pieces are shown exploded;  
FIG. 3 is a left side elevation view thereof, wherein the four end pieces are shown exploded;  
FIG. 4 is a front elevation view thereof, wherein the four end pieces are shown exploded;  
FIG. 5 is a rear elevation view thereof, wherein the four end pieces are shown exploded;  
FIG. 6 is a right side elevation view thereof, wherein the four end pieces are shown exploded; and,  
FIG. 7 is a left side elevation view thereof, wherein the four end pieces are shown exploded.

(56) **References Cited**

**U.S. PATENT DOCUMENTS**

4,840,294 A \* 6/1989 Ernst ..... B05C 17/0123  
222/287  
D369,285 S \* 4/1996 Leech ..... D8/14.1  
5,720,418 A \* 2/1998 Timmerman ..... B05C 17/00553  
222/309  
6,286,729 B1 \* 9/2001 Lin ..... G01F 11/026  
222/326  
6,290,101 B1 \* 9/2001 Chang ..... B05C 17/00553  
222/137

**1 Claim, 5 Drawing Sheets**



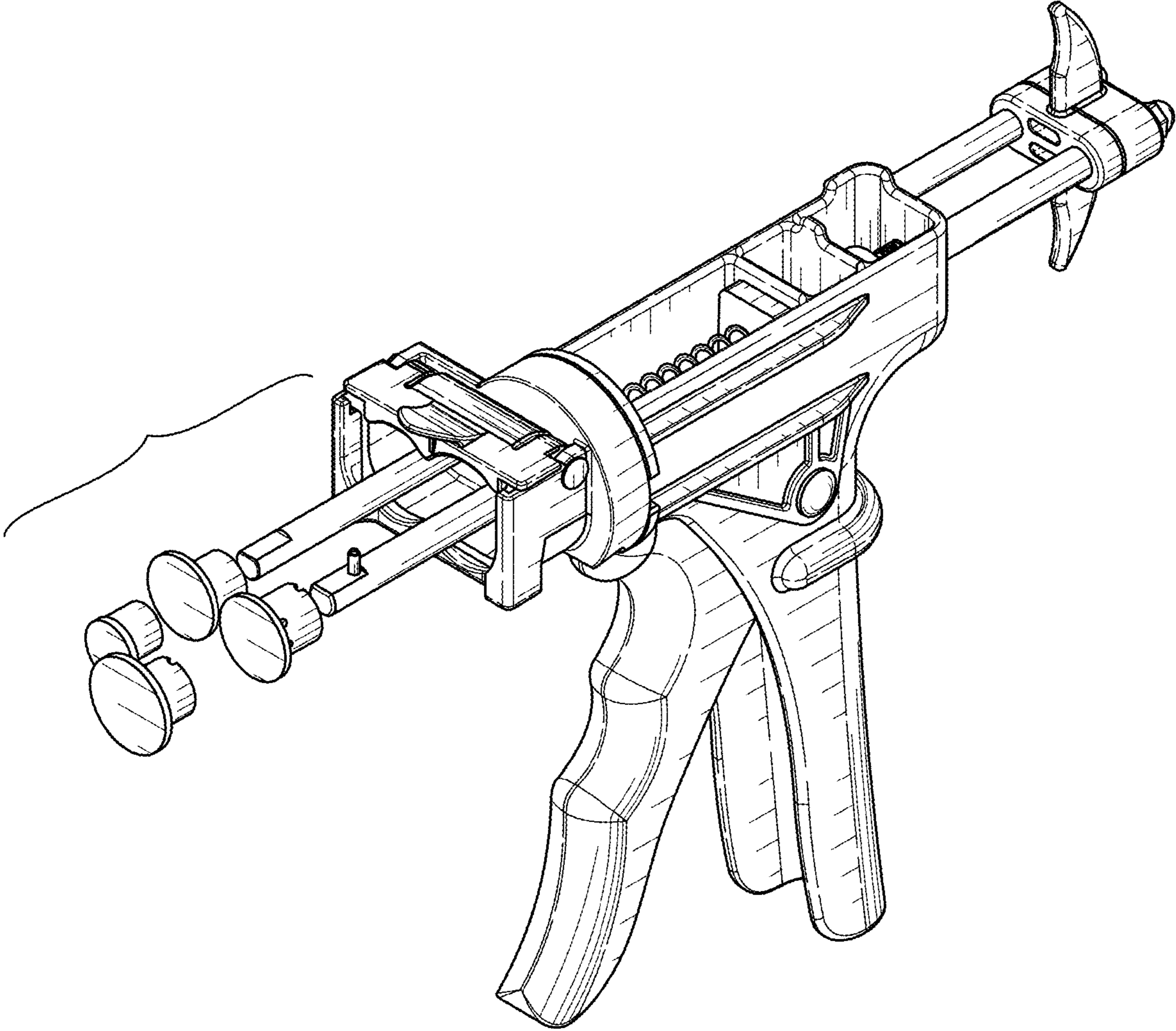


FIG. 1

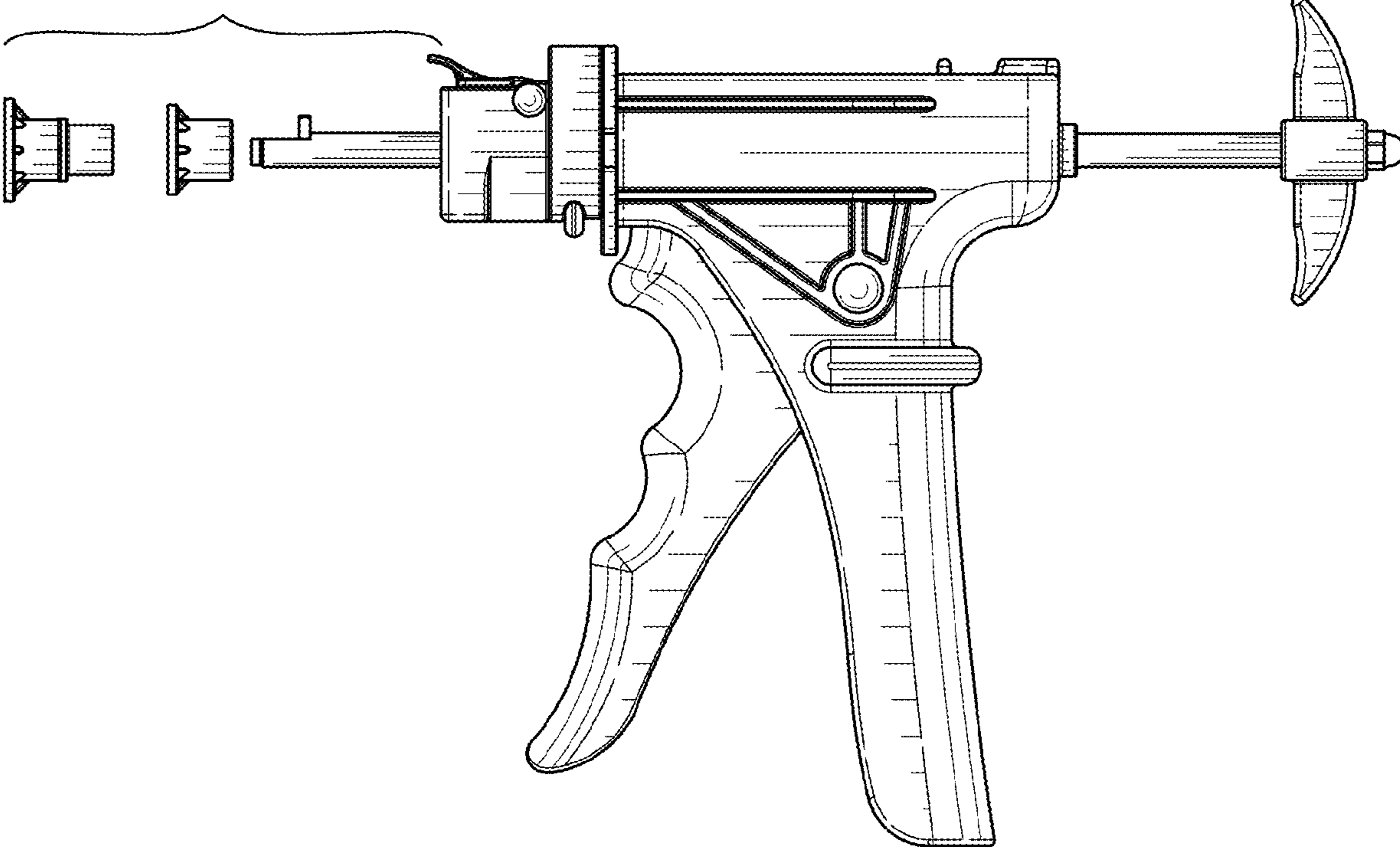


FIG. 2

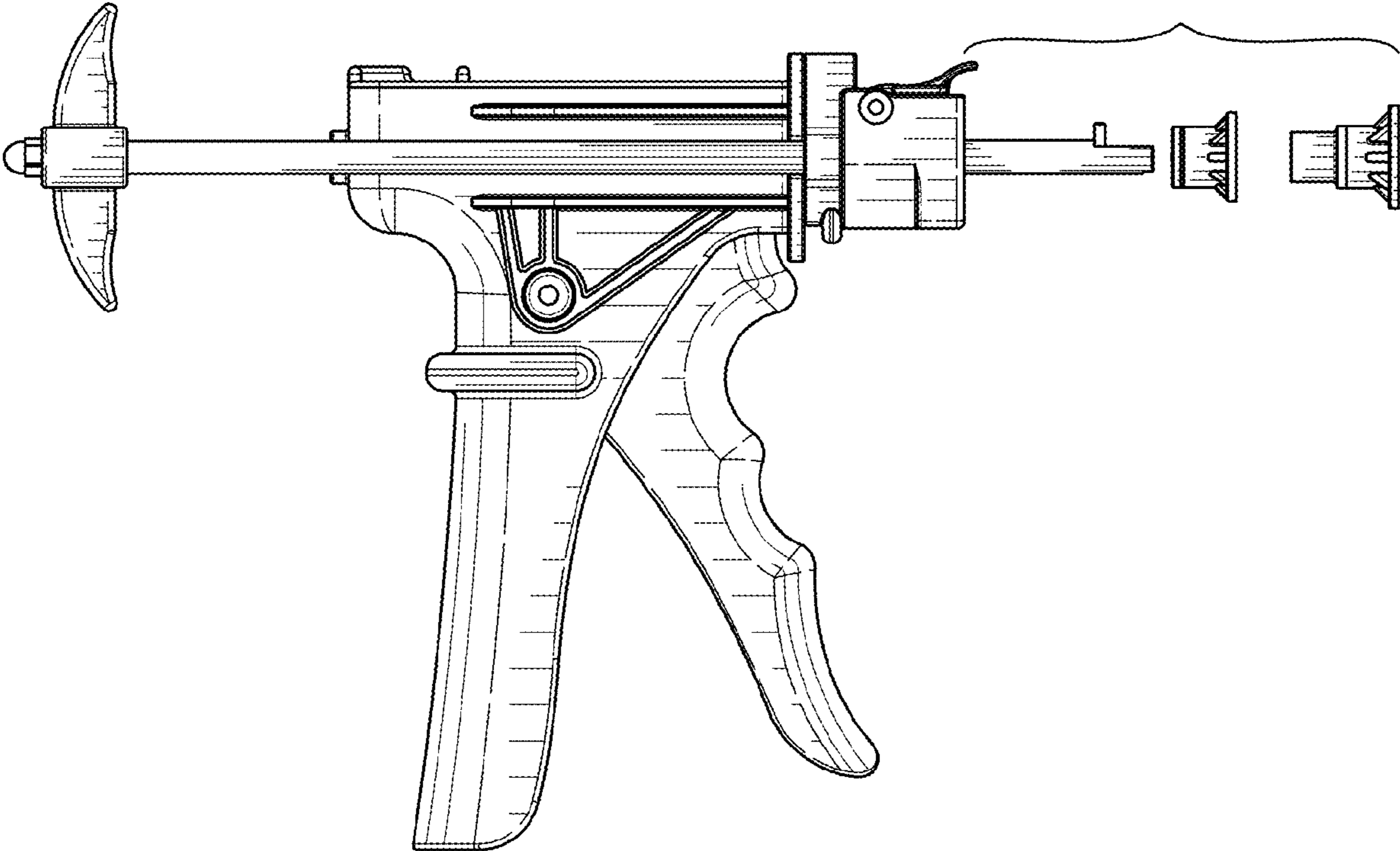


FIG. 3



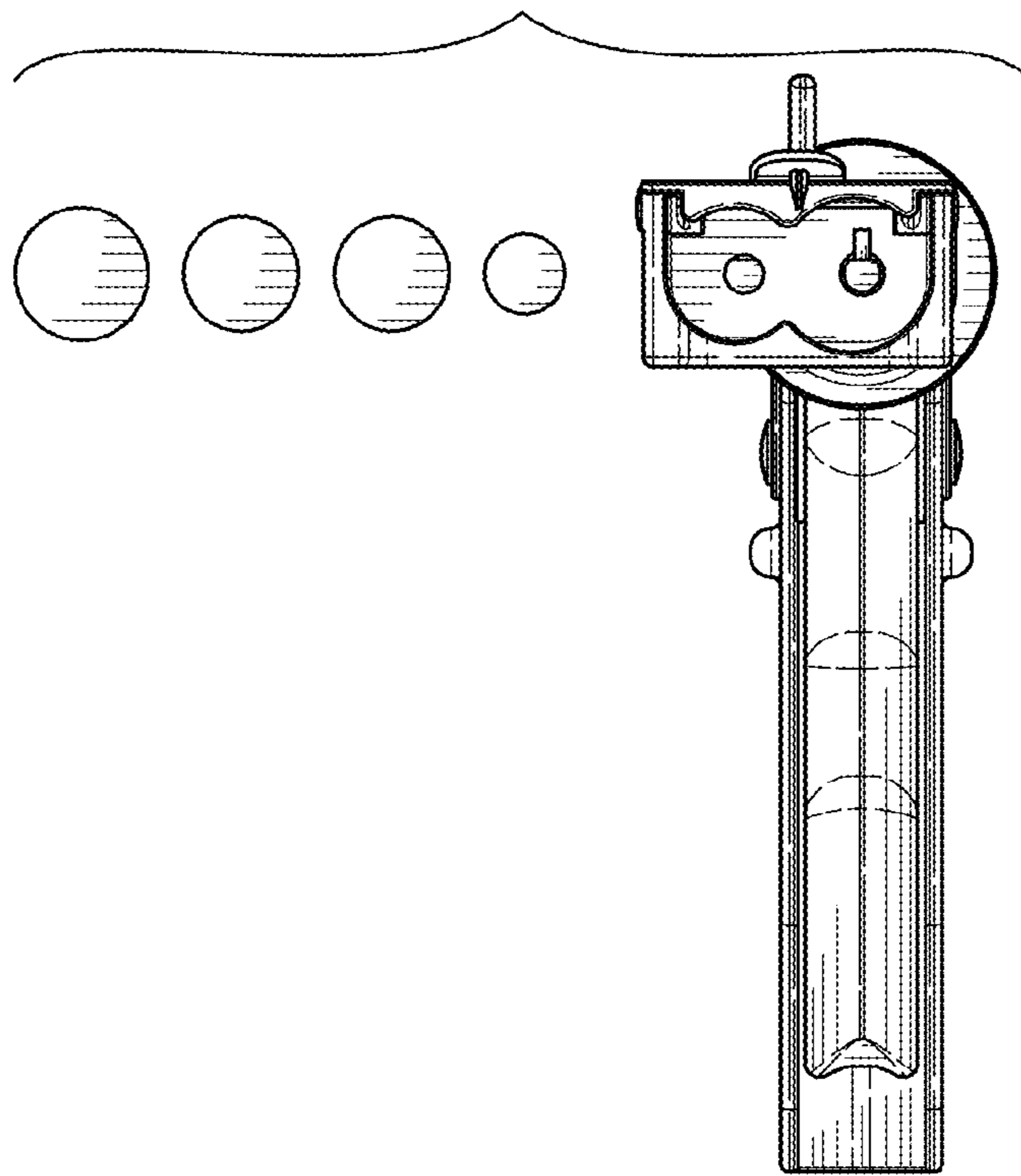


FIG. 4

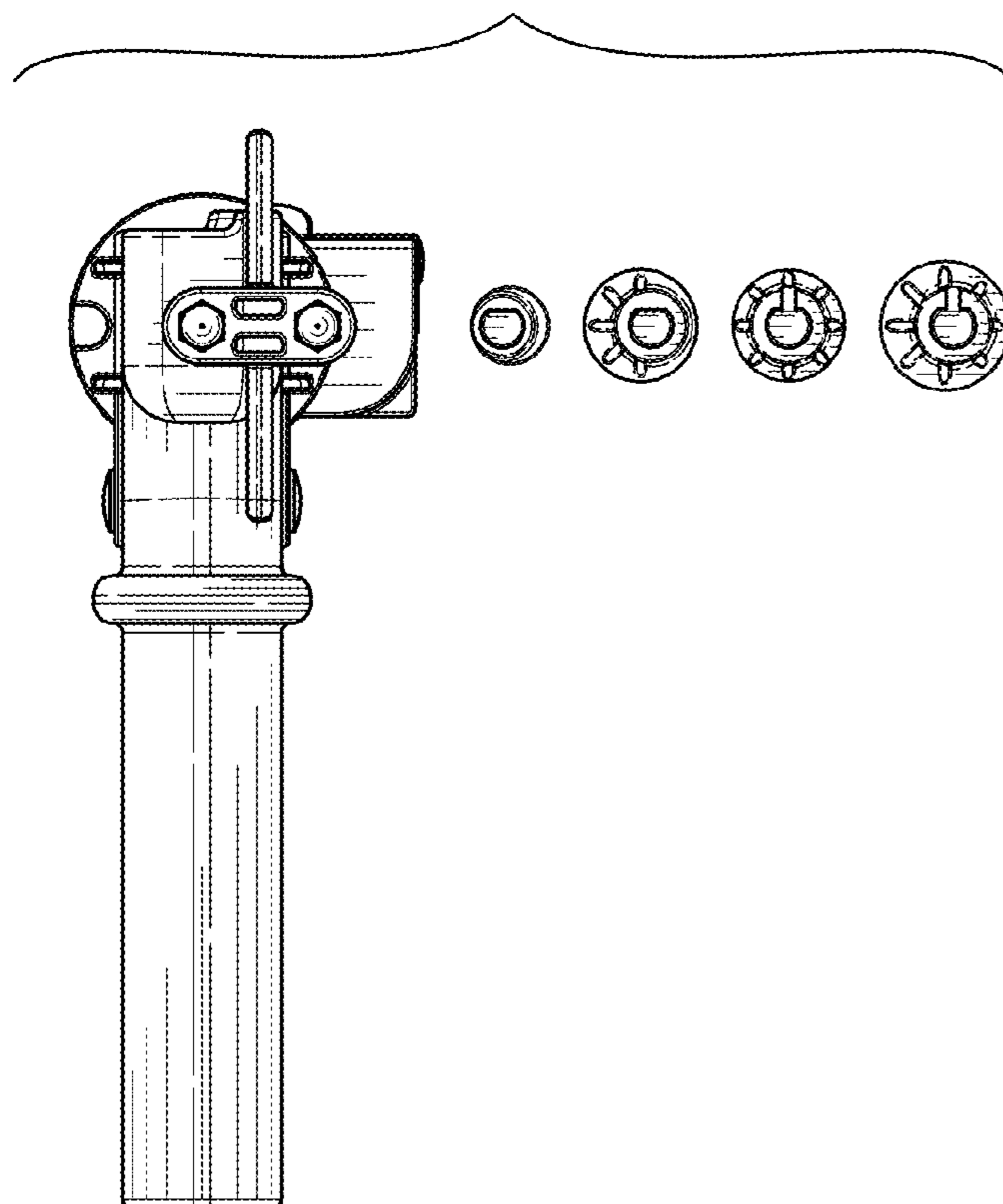


FIG. 5

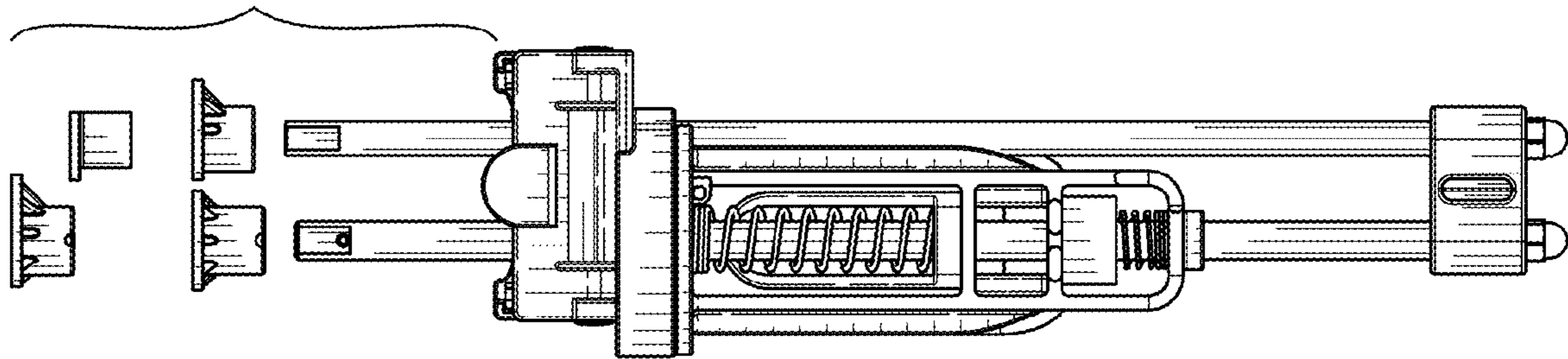


FIG. 6

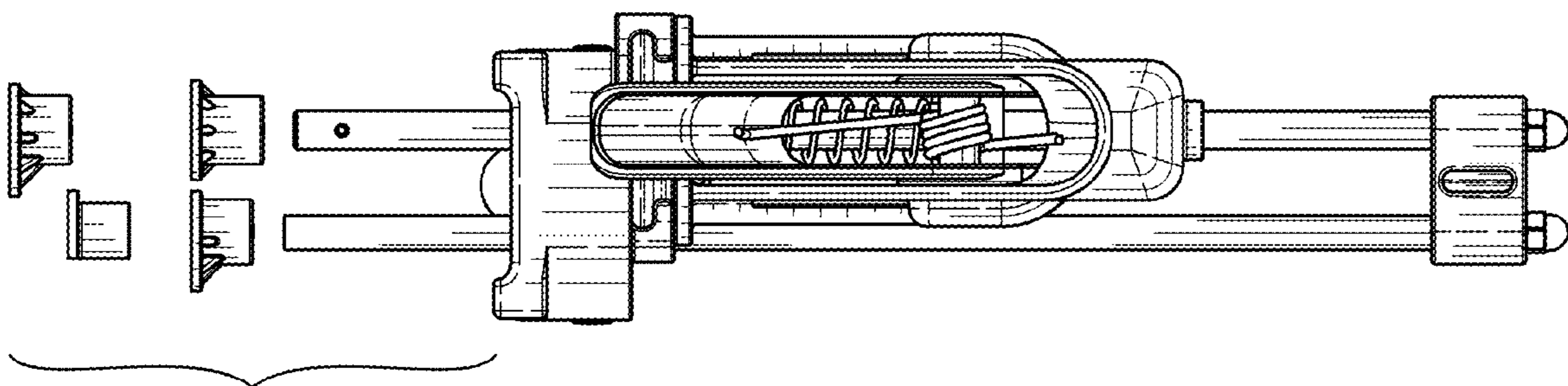


FIG. 7