



US00D885149S

(12) **United States Design Patent**
Kukucka et al.

(10) **Patent No.:** **US D885,149 S**
(45) **Date of Patent:** **** May 26, 2020**

(54) **FASTENER EXTRACTOR DEVICE**

(71) Applicant: **GRIP HOLDINGS LLC**, Brandon, FL (US)

(72) Inventors: **Paul Kukucka**, Brandon, FL (US);
Thomas Stefan Kukucka, Brandon, FL (US)

(73) Assignee: **GRIP HOLDINGS LLC**, Brandon, FL (US)

(**) Term: **15 Years**

(21) Appl. No.: **29/707,740**

(22) Filed: **Sep. 30, 2019**

Related U.S. Application Data

(63) Continuation-in-part of application No. 16/255,341, filed on Jan. 23, 2019, which is a continuation-in-part of application No. 16/107,842, filed on Aug. 21, 2018, and a continuation-in-part of application No. PCT/IB2017/054379, filed on Jul. 19, 2017, and a continuation-in-part of application No. 15/601,864, filed on May 22, 2017, and a continuation-in-part of application No. PCT/IB2017/052453, filed on Apr. 27, 2017.

(51) **LOC (12) Cl.** **08-05**

(52) **U.S. Cl.**
USPC **D8/14; D8/86**

(58) **Field of Classification Search**
USPC D8/14, 51, 86, 387
CPC B25B 27/18; B25B 13/04; B25B 13/065;
B25B 15/001; B25B 15/008; B25B 23/08
See application file for complete search history.

(56) **References Cited**

U.S. PATENT DOCUMENTS

3,902,384 A * 9/1975 Ehrler B25B 13/54
81/445
4,487,566 A 12/1984 Barna

4,777,850 A 10/1988 Polonsky
5,031,487 A 7/1991 Polonsky
5,279,187 A * 1/1994 Salmon B25B 27/18
81/445
6,761,089 B2 * 7/2004 Bergamo B25B 27/18
81/441
7,152,509 B2 * 12/2006 McCalley, Jr. B25B 27/18
81/53.2
D585,730 S * 2/2009 Fernandez D8/387
D614,931 S * 5/2010 Su D8/86
8,955,415 B2 * 2/2015 Lin B25B 27/18
81/441
9,248,561 B2 * 2/2016 Roscosky B25B 27/18
9,440,342 B2 * 9/2016 Nye B25B 27/18
(Continued)

FOREIGN PATENT DOCUMENTS

GB 361908 11/1931

Primary Examiner — Philip S Hyder

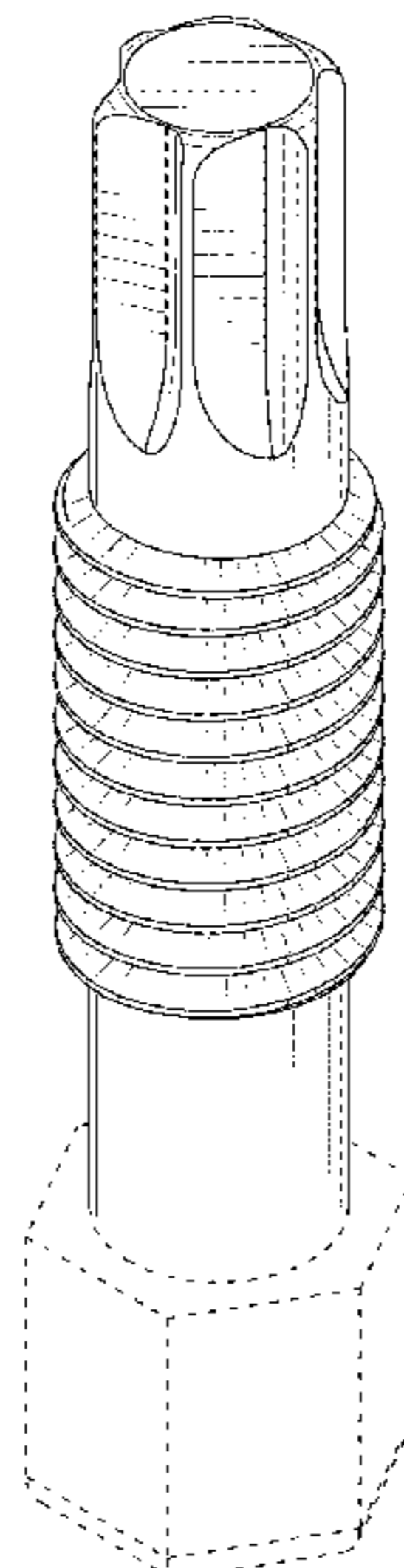
(57) **CLAIM**

The ornamental design for a fastener extractor device, as shown and described.

DESCRIPTION

FIG. 1 is a top perspective view of a fastener extractor device showing my new design;
FIG. 2 is a bottom perspective view thereof;
FIG. 3 is a front elevated view thereof;
FIG. 4 is a rear elevated view thereof;
FIG. 5 is a top plan view thereof;
FIG. 6 is a bottom plan view thereof;
FIG. 7 is a right elevated view thereof; and,
FIG. 8 is a left elevated view thereof.
The broken lines showing of a drive head in FIGS. 1-8 are included for the purpose of showing environmental structure and form no part of the claimed design.

1 Claim, 8 Drawing Sheets



(56)

References Cited

U.S. PATENT DOCUMENTS

D769,690	S	*	10/2016	Campbell, II	F16B 23/003	
							D8/86
D774,868	S	*	12/2016	Ouyang	D8/70	
D794,409	S	*	8/2017	Anderson	D8/70	
D853,212	S	*	7/2019	Whited	D8/14	
2011/0252925	A1	*	10/2011	Whitehead	B25B 15/005	
							81/53.2
2014/0238202	A1	*	8/2014	Roscosky	B25B 27/18	
							81/53.2

* cited by examiner

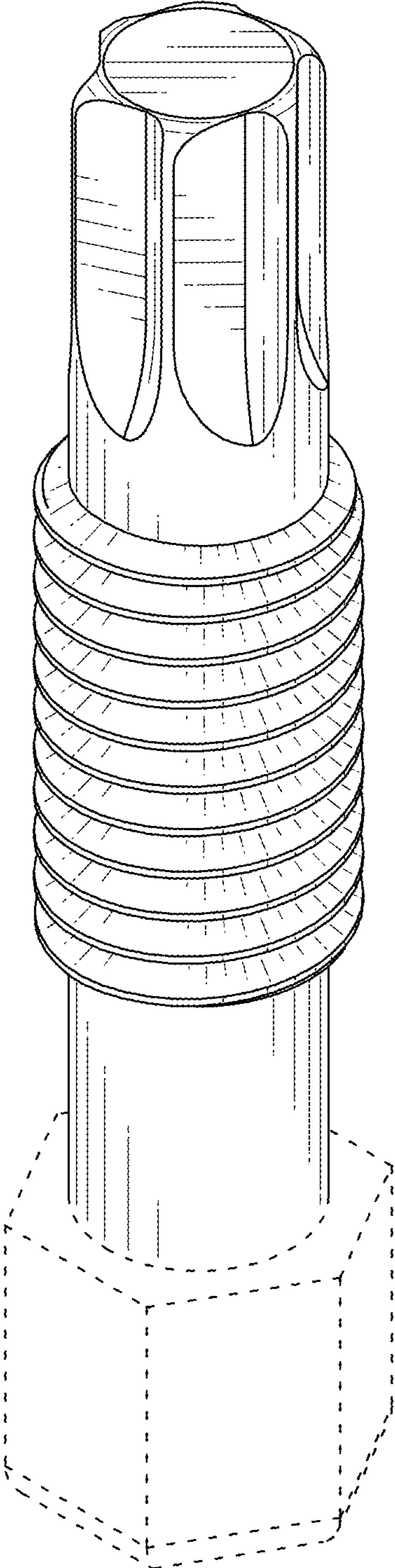


FIG. 1

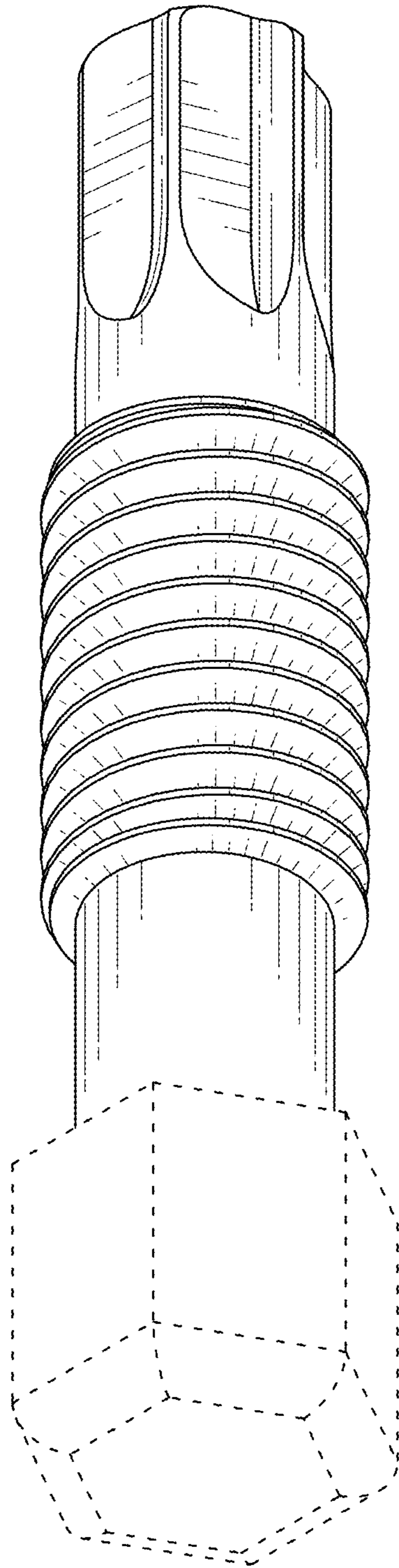


FIG. 2

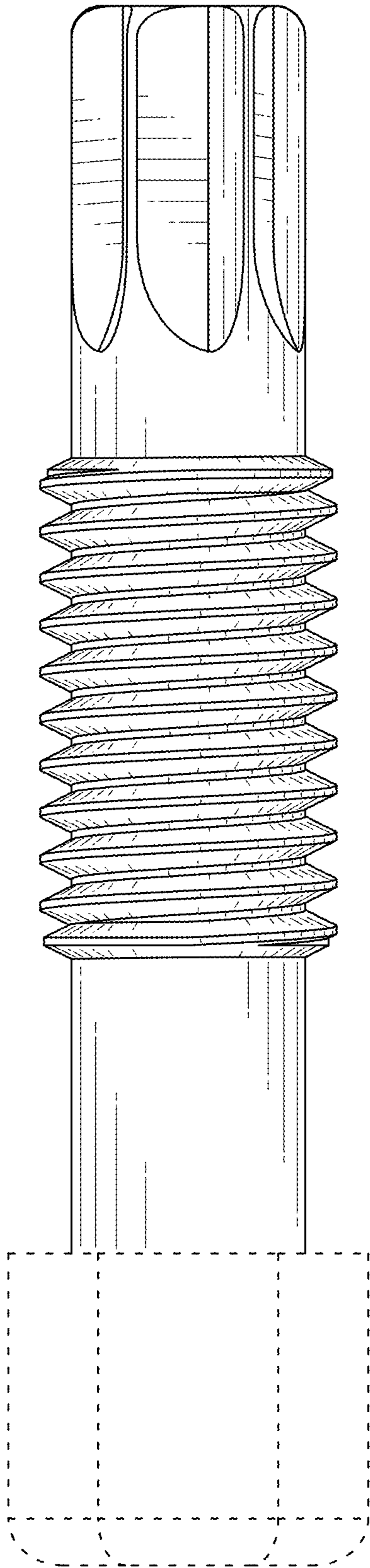


FIG. 3

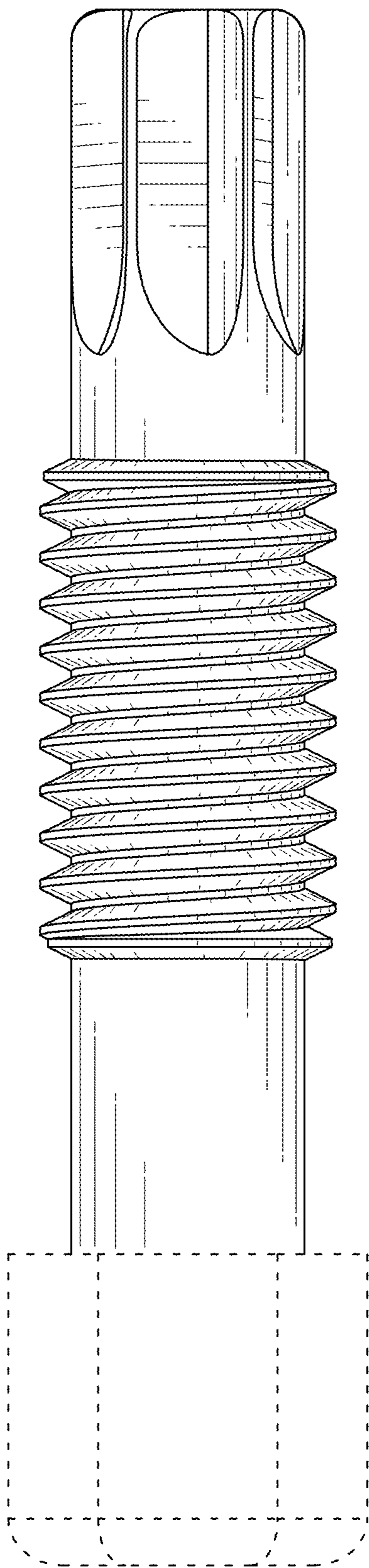


FIG. 4

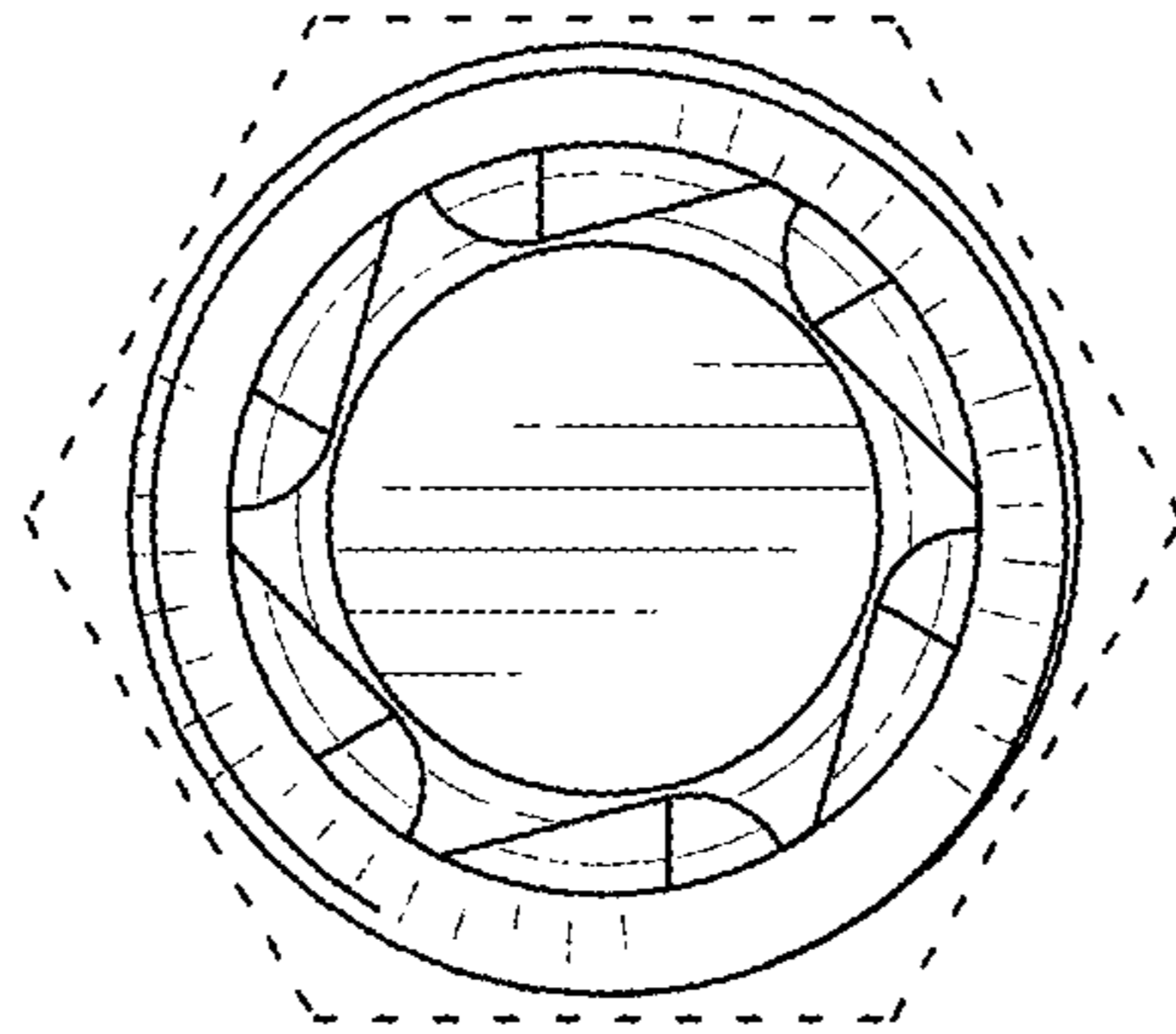


FIG. 5

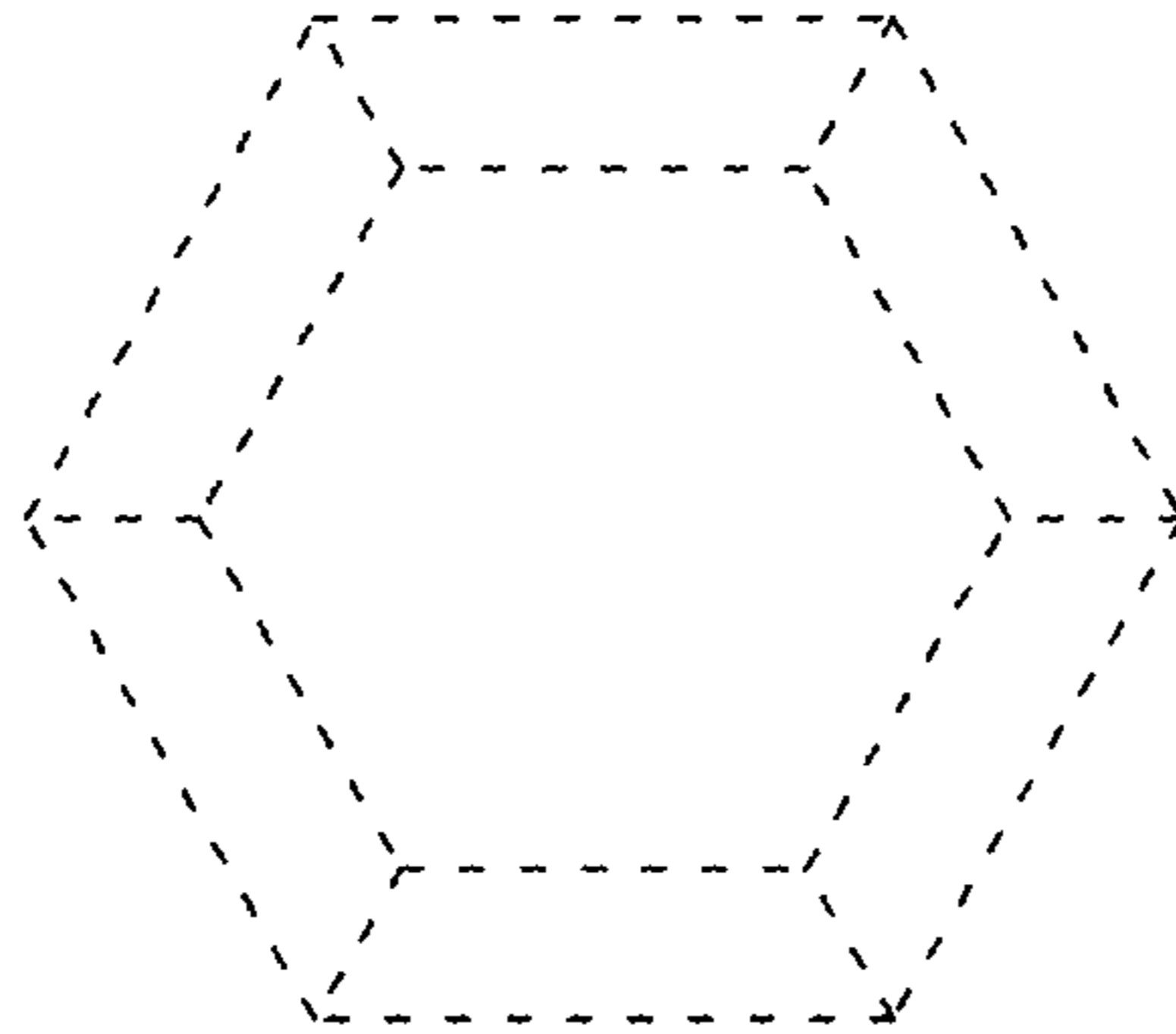


FIG. 6

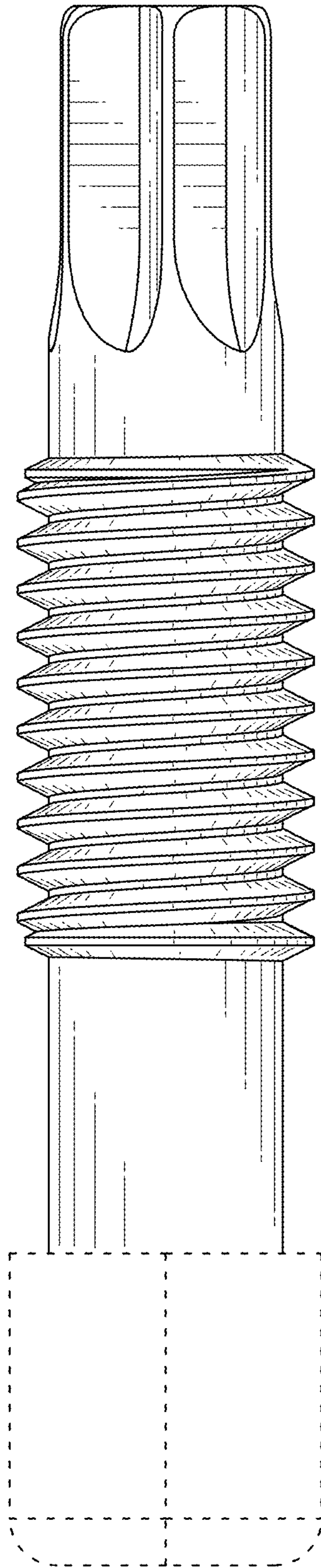


FIG. 7

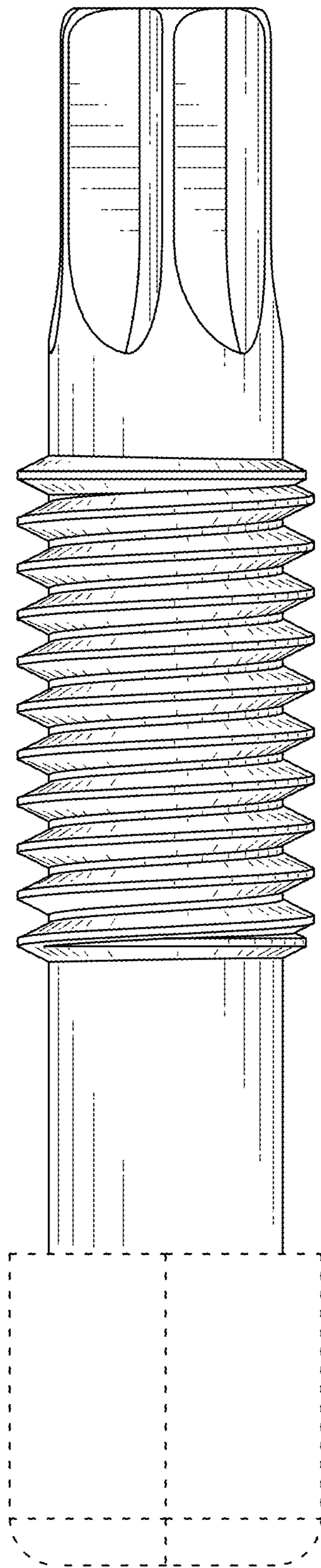


FIG. 8