



US00D885148S

(12) **United States Design Patent**  
**Wang et al.**

(10) **Patent No.:** **US D885,148 S**  
(45) **Date of Patent:** **\*\* May 26, 2020**

- (54) **BOTTLE SLEEVE**
- (71) Applicant: **SHEN ZHEN QUICK FIT PLASTIC CO., LTD.**, Shenzhen (CN)
- (72) Inventors: **Qi Wang**, Shenzhen (CN); **Hui Kang**, Shenzhen (CN)
- (\*\*) Term: **15 Years**
- (21) Appl. No.: **29/709,235**
- (22) Filed: **Oct. 11, 2019**
- (51) **LOC (12) Cl.** ..... **07-06**
- (52) **U.S. Cl.**  
USPC ..... **D7/701; D7/607; D7/624.2**
- (58) **Field of Classification Search**  
USPC ..... **D7/619.1-625, 603-608, 701-708; D9/455; D3/215, 226, 229**  
CPC ..... **B65D 81/3881; B65D 81/3886; B65D 81/3883; B65D 81/3879; B65D 23/08; B65D 23/0885; A47G 23/0241; A47G 23/0266; A47G 19/2288; A47G 21/145; A61F 7/10; F25D 3/08; F25D 3/12; F25D 3/14; A45C 11/20; A45F 3/44; A45F 3/02; A45F 3/16; A45F 5/00; A45F 2003/002; A45F 2005/006**  
See application file for complete search history.

- 6,073,796 A \* 6/2000 Mogil ..... A45F 3/16  
215/12.1
- D432,785 S \* 10/2000 Berg ..... D3/229
- D446,454 S 8/2001 Frank
- 6,401,993 B1 \* 6/2002 Andrino ..... A45F 5/00  
224/148.5
- 6,550,271 B2 \* 4/2003 Silbert ..... A45C 11/20  
62/371
- D474,887 S \* 5/2003 Forster ..... D3/229
- D687,222 S 8/2013 Willows et al.

\* cited by examiner

*Primary Examiner* — Terry A Wallace

(74) *Attorney, Agent, or Firm* — Erson IP (Nelson IP)

(57) **CLAIM**

The ornamental design for a bottle sleeve, as shown and described.

**DESCRIPTION**

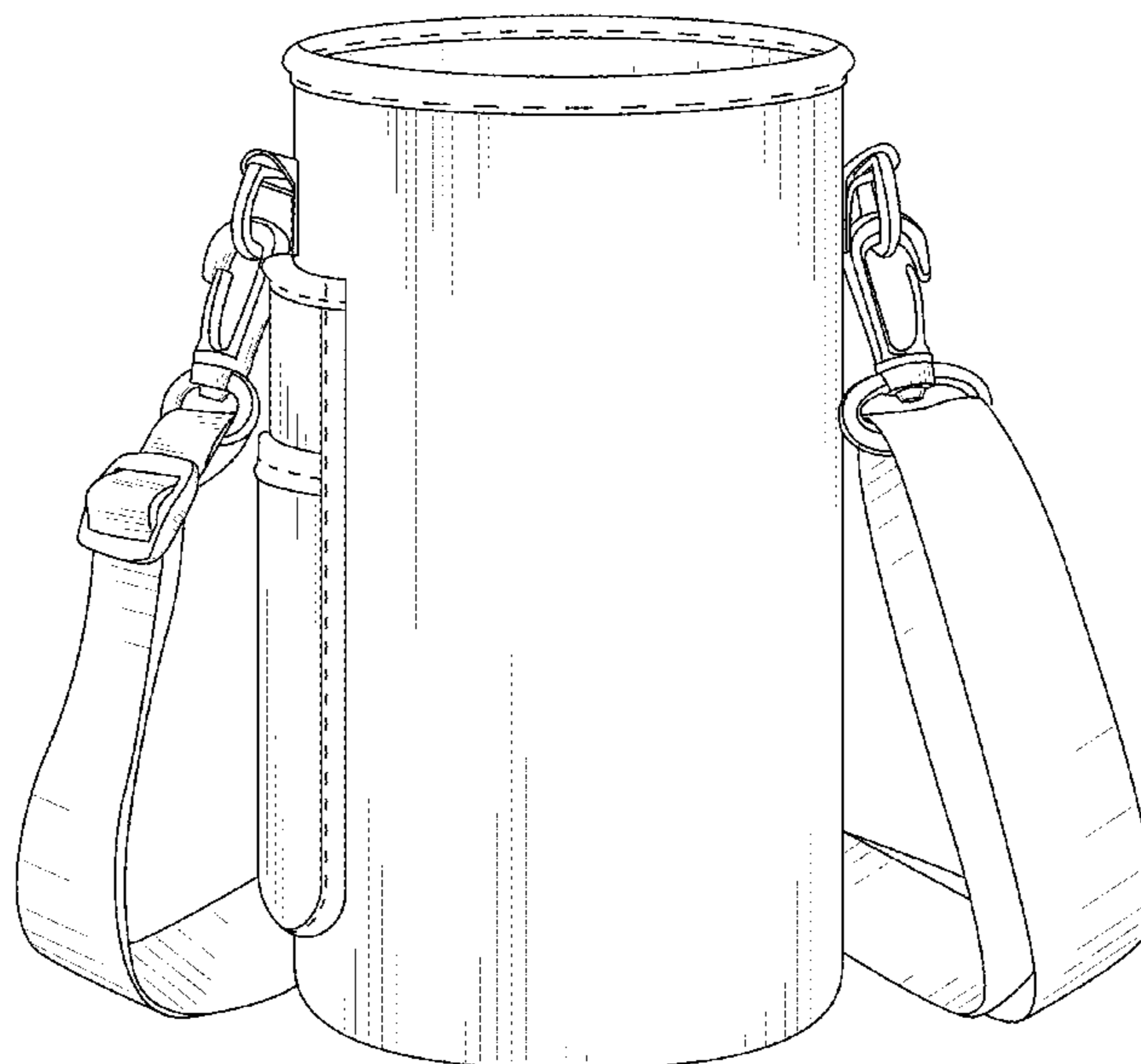
FIG. 1 is a perspective view of a bottle sleeve with a strap showing my new design;  
 FIG. 2 is another perspective of the bottle sleeve with the strap view;  
 FIG. 3 is a front view of the bottle sleeve without the strap;  
 FIG. 4 is a rear view of the bottle sleeve without the strap;  
 FIG. 5 is a left side view of the bottle sleeve without the strap;  
 FIG. 6 is a right side view of the bottle sleeve without the strap;  
 FIG. 7 is a top plan view of the bottle sleeve without the strap; and,  
 FIG. 8 is a bottom plan view of the bottle sleeve without the strap.  
 The broken lines are representing stitching of the bottle sleeve and the broken lines form no part of the claimed design.  
 The bottle sleeve is shown without the strap in FIGS. 3-8 for clarity of illustration.

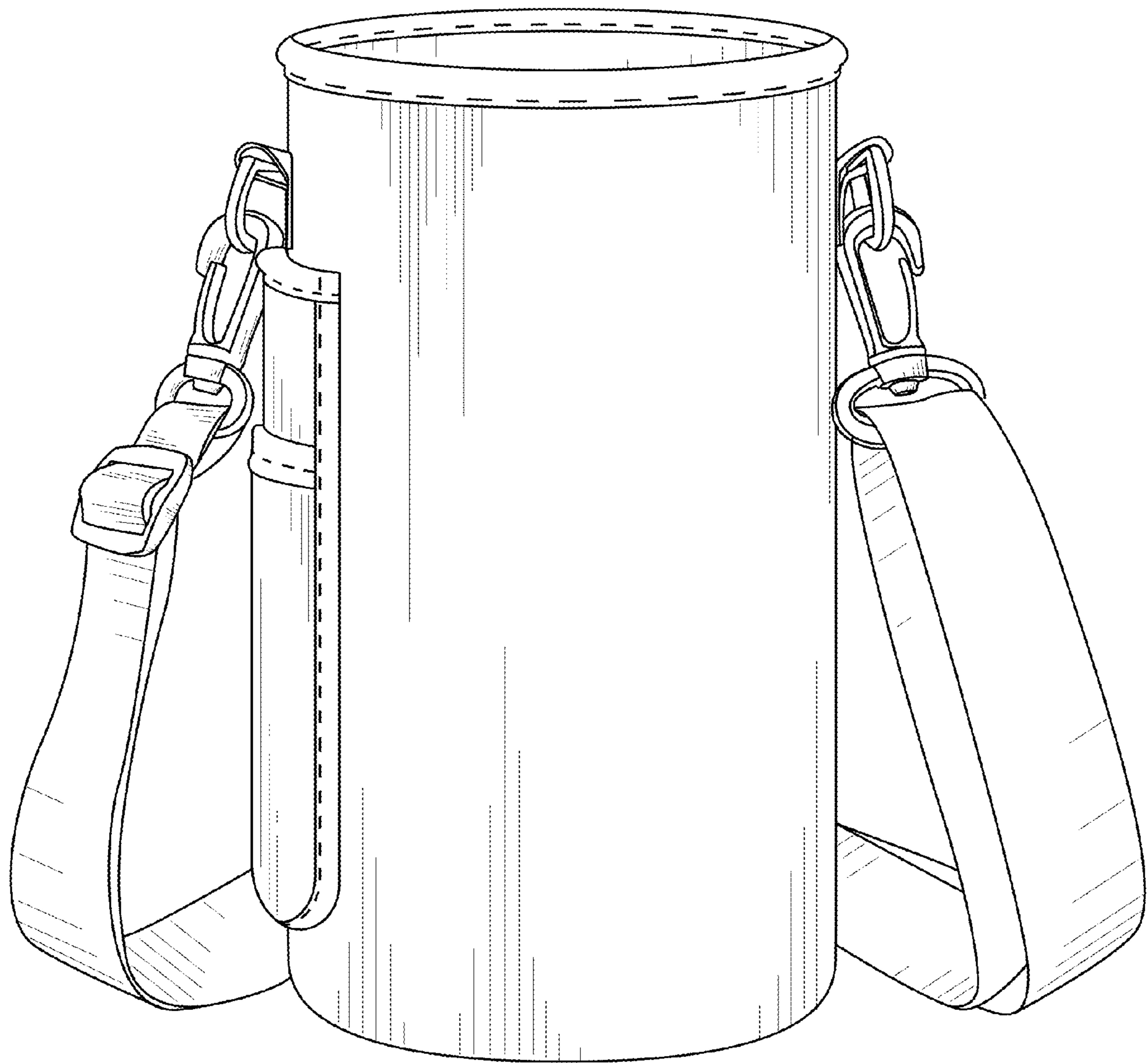
(56) **References Cited**

**U.S. PATENT DOCUMENTS**

- 1,208,728 A \* 12/1916 Bartlett et al. .... A45F 5/00  
224/148.6
- 4,974,761 A \* 12/1990 Luque ..... A45C 1/04  
224/148.5
- D335,957 S \* 6/1993 Cantrell ..... 224/148.5
- 5,454,497 A \* 10/1995 Kettelson ..... A45F 5/00  
211/74
- D373,678 S \* 9/1996 Haigis ..... D3/229
- D379,119 S \* 5/1997 Wolfe ..... D3/229
- D397,550 S \* 9/1998 Coughlin ..... D3/229

**1 Claim, 8 Drawing Sheets**





**FIG. 1**

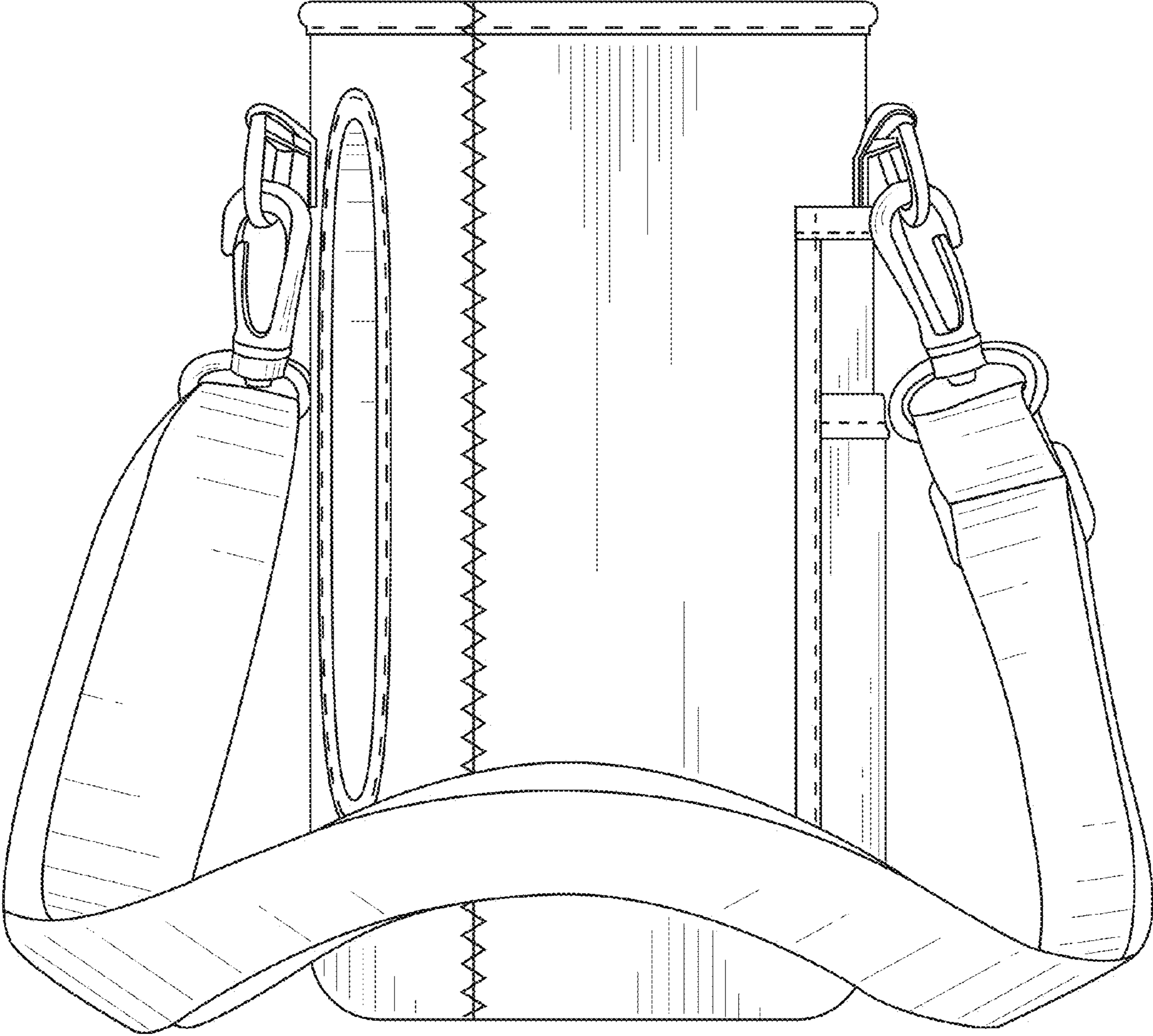


FIG. 2

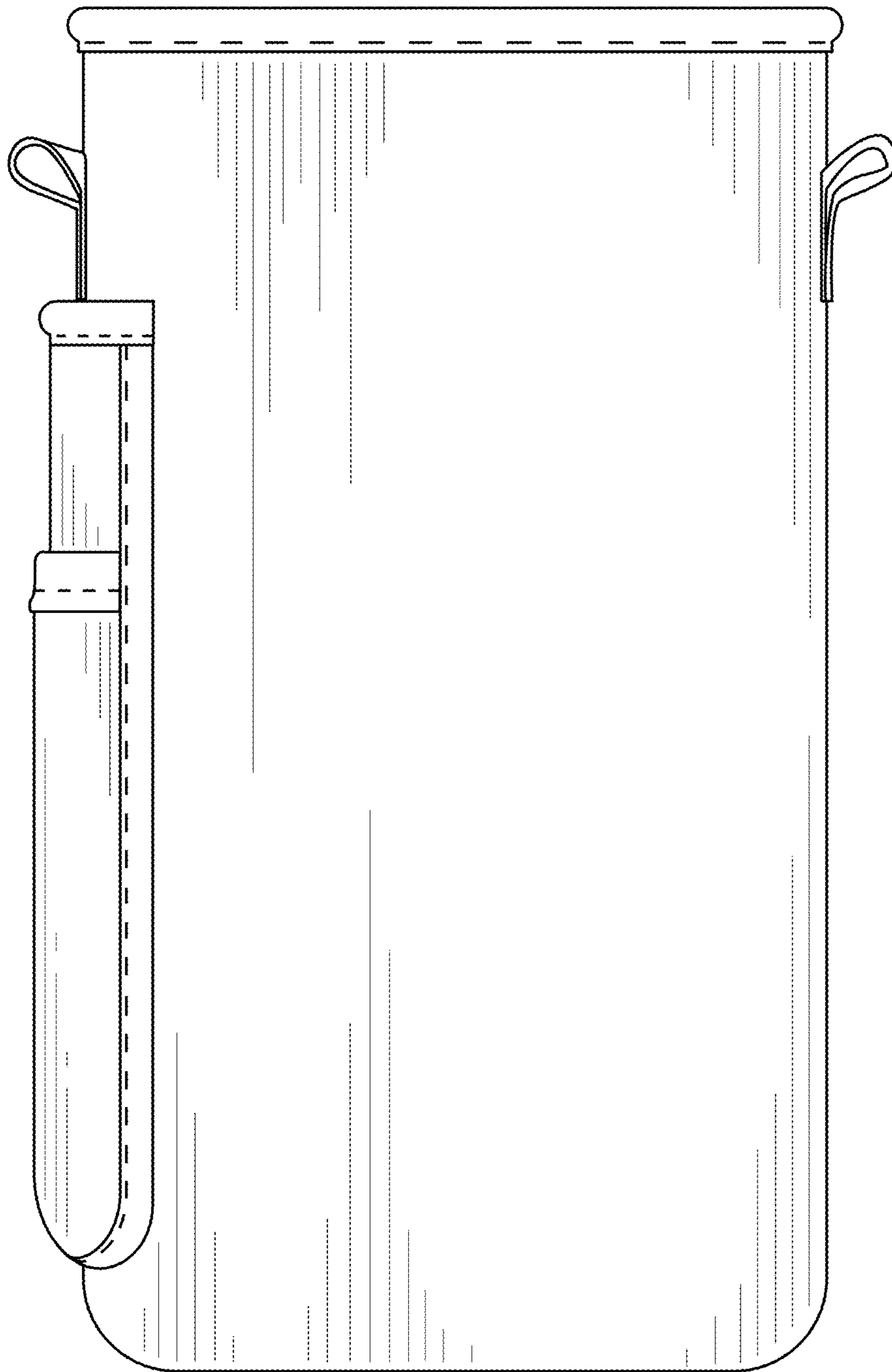


FIG. 3

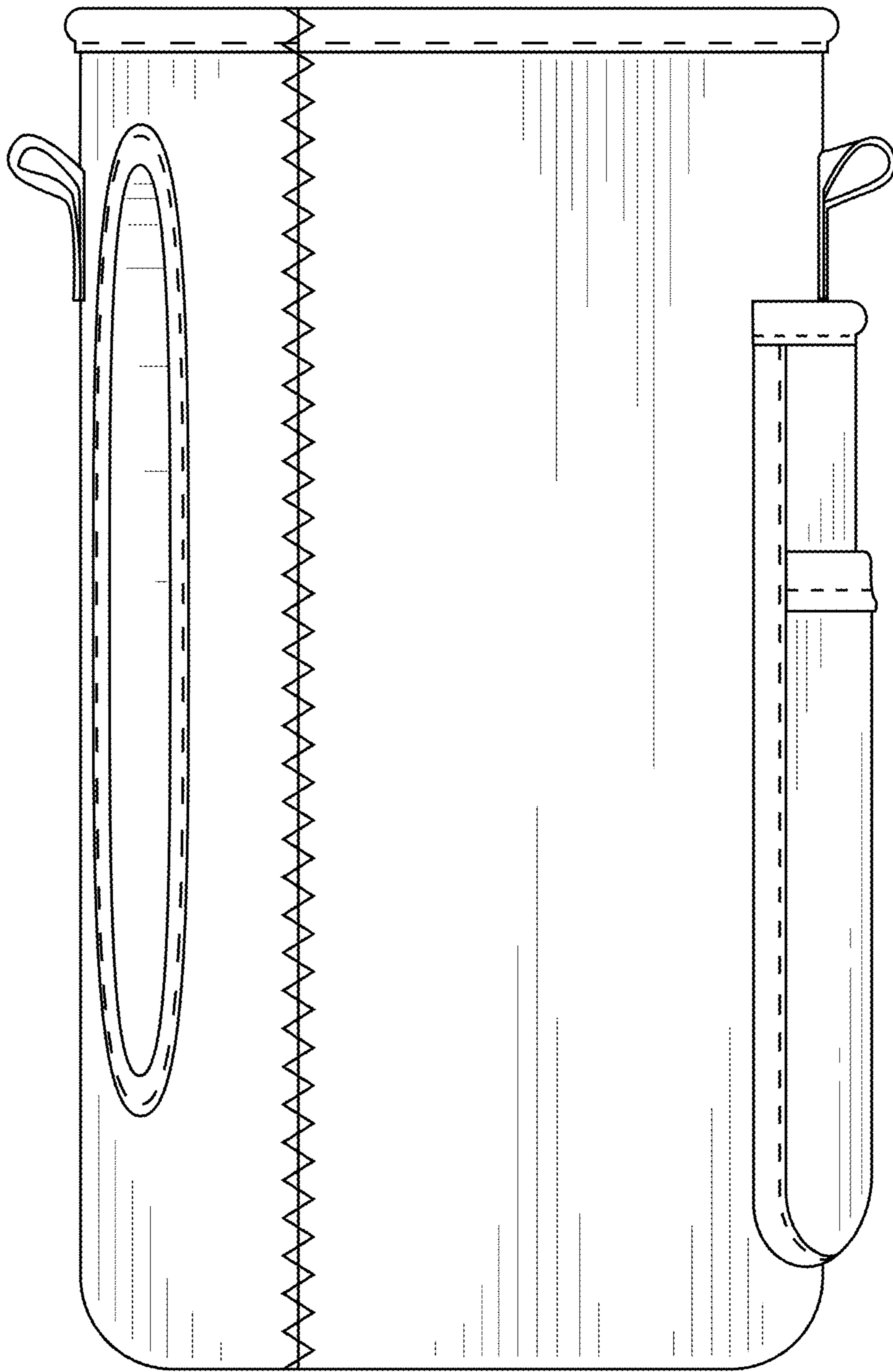


FIG. 4

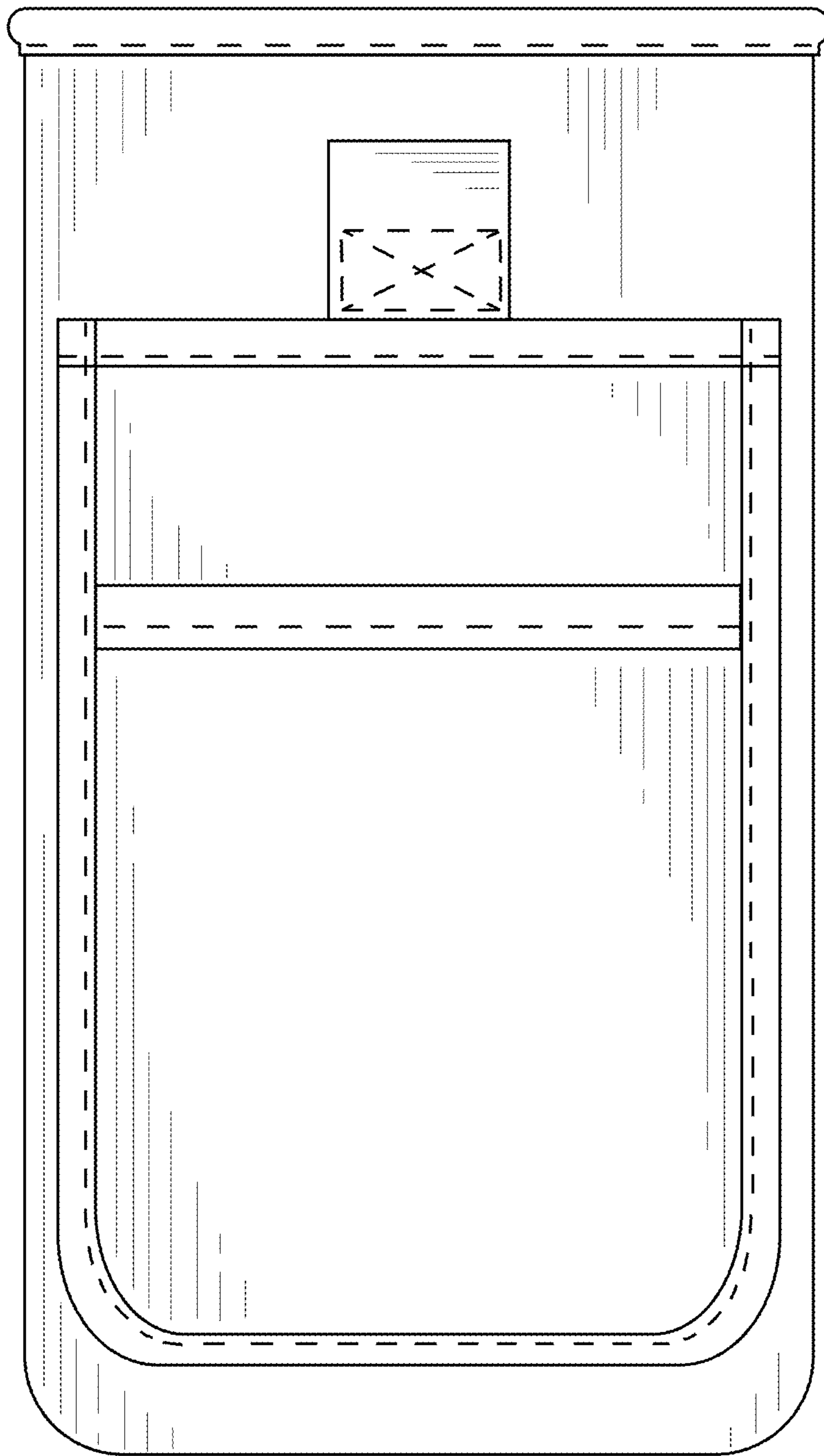


FIG. 5

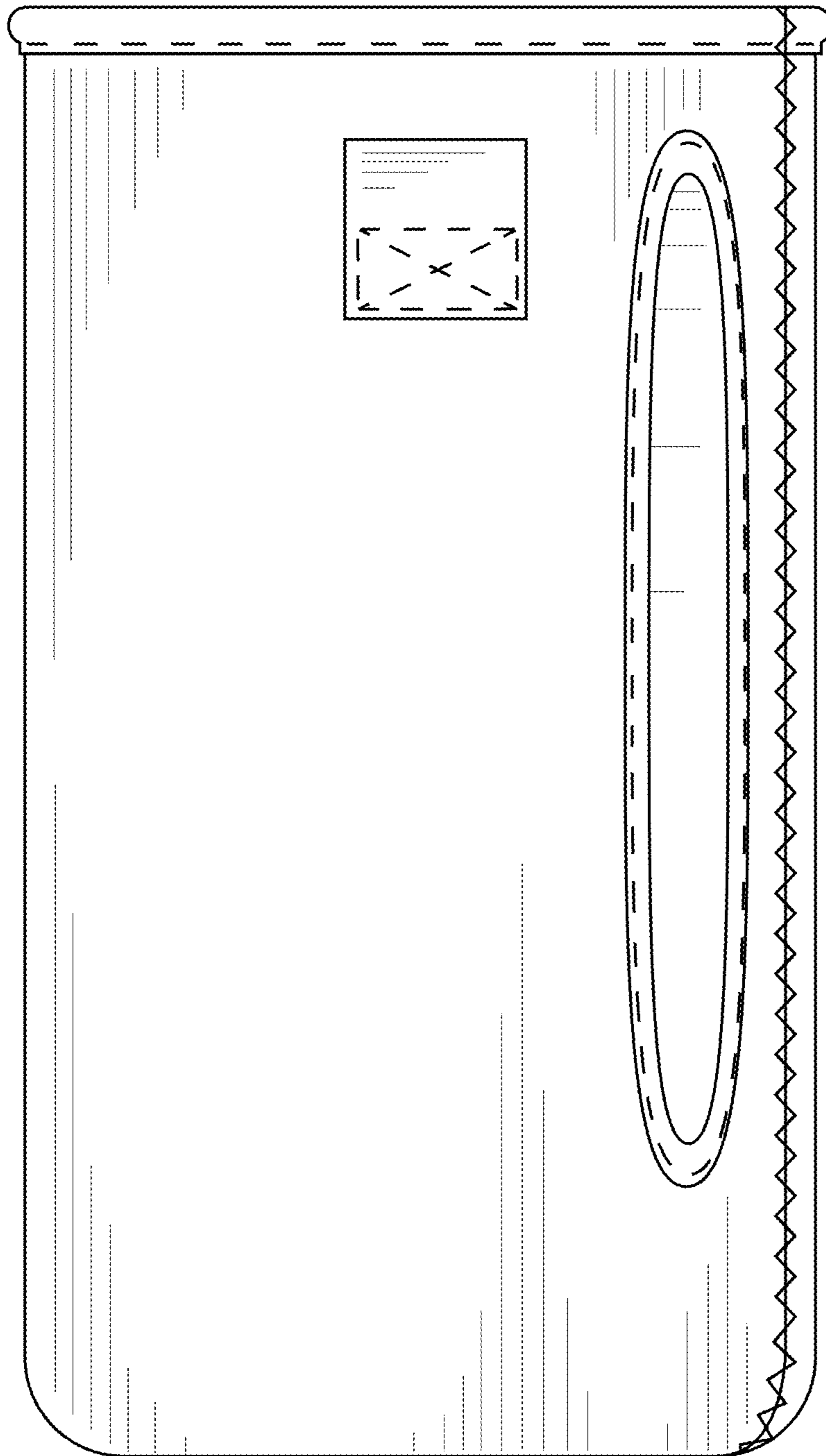
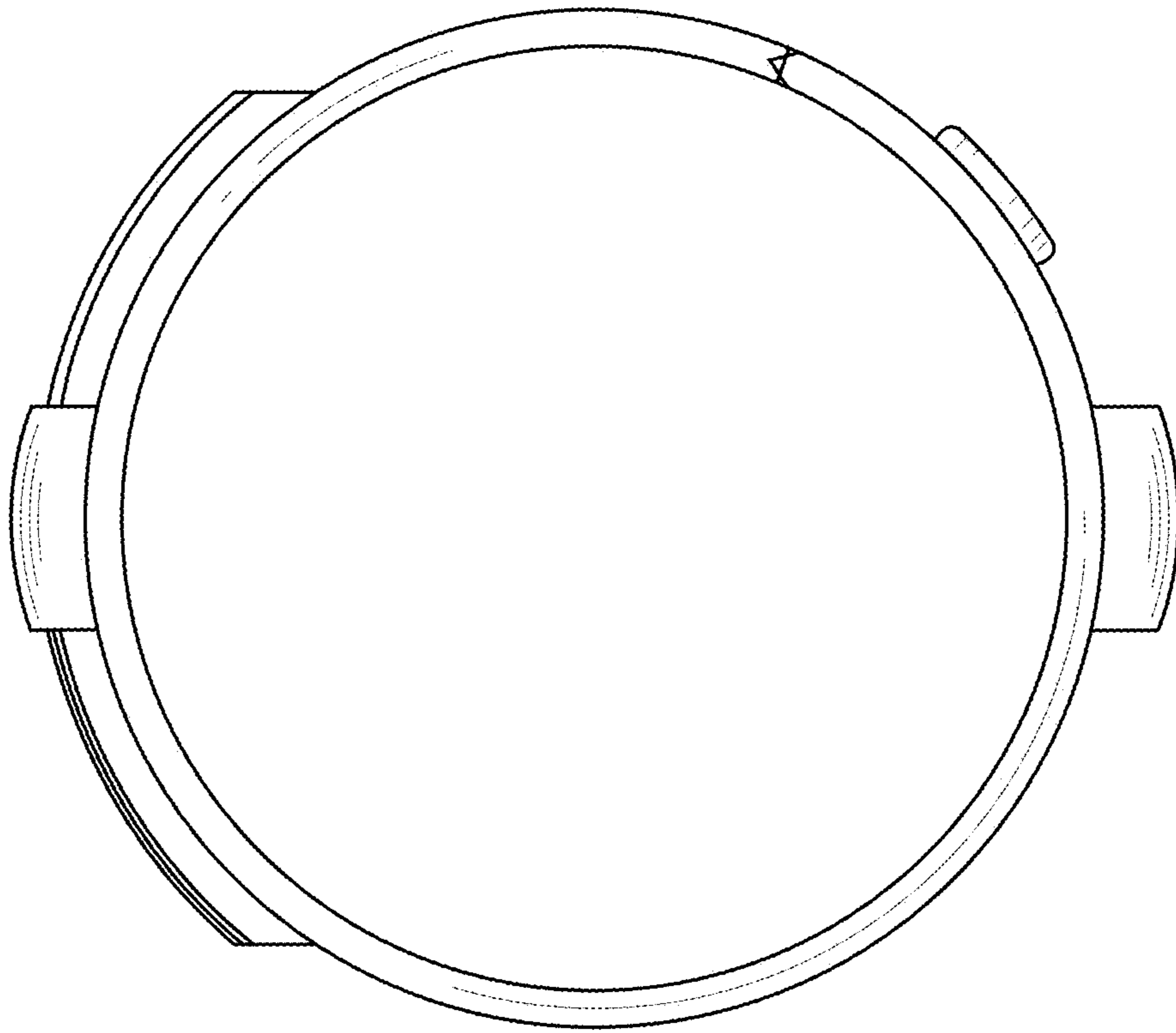
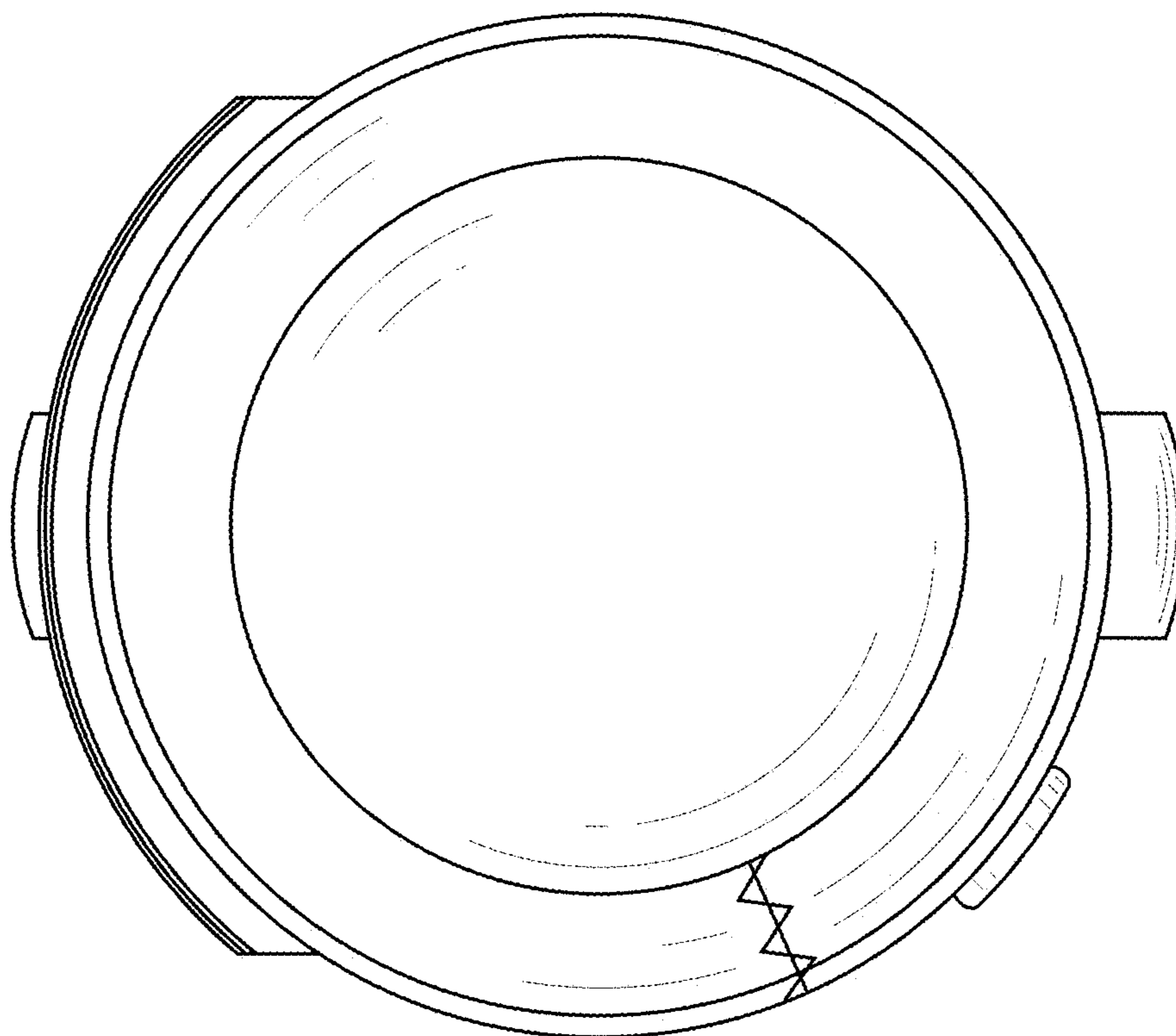


FIG. 6



**FIG. 7**





**FIG. 8**