



US00D885147S

(12) **United States Design Patent** (10) **Patent No.:** **US D885,147 S**
Chesko (45) **Date of Patent:** **** May 26, 2020**

(54) **FOOD PREPARATION DEVICE**

(71) Applicant: **Jody Renee Chesko**, Lockport, NY
(US)

(72) Inventor: **Jody Renee Chesko**, Lockport, NY
(US)

(**) Term: **15 Years**

(21) Appl. No.: **29/662,514**

(22) Filed: **Sep. 6, 2018**

(51) **LOC (12) Cl.** **07-04**

(52) **U.S. Cl.**
USPC **D7/677**

(58) **Field of Classification Search**
USPC D7/672-674, 693-696, 381-385,
D7/675-677; 30/280
CPC B26D 2210/02; B26D 3/26; B26D
2003/285-288; B26D 1/06; B26D 3/283;
B26D 3/03; A47J 43/044; A47J 43/255;
A47J 43/25; A47J 17/02; A47J 25/00;
A21C 11/12; A21C 11/14
See application file for complete search history.

(56) **References Cited**

U.S. PATENT DOCUMENTS

1,618,685 A * 2/1927 Stauffer A21C 11/106
30/130
D349,433 S * 8/1994 Tran D7/682
6,032,368 A * 3/2000 Huang A47J 25/00
30/113.1
D461,691 S * 8/2002 Huang D7/693
D629,661 S * 12/2010 Lion D7/672

D630,040 S * 1/2011 Suski D7/368
D680,819 S * 4/2013 Patel D7/676
D680,824 S * 4/2013 Patel D7/672
D684,020 S * 6/2013 Patel D7/672
D693,655 S * 11/2013 Cotter D7/693
D739,687 S * 9/2015 Szymanski D7/672
D803,639 S * 11/2017 Stank D7/672
D844,398 S * 4/2019 Goulet Dubois D7/676
2014/0137417 A1 * 5/2014 Silberberg A47J 43/28
30/280

* cited by examiner

Primary Examiner — Brett Miller

(74) *Attorney, Agent, or Firm* — Fay Sharpe LLP

(57) **CLAIM**

The ornamental design for a food preparation device, as shown.

DESCRIPTION

FIG. 1 is a front perspective view of a food preparation device showing my new design;
FIG. 2 is a rear perspective view of the food preparation device showing my new design;
FIG. 3 is a front elevation view of the food preparation device showing my new design;
FIG. 4 is a rear elevation view of the food preparation device showing my new design;
FIG. 5 is a side view of the food preparation device showing my new design; and,
FIG. 6 is a top view of the food preparation device showing my new design.

1 Claim, 6 Drawing Sheets

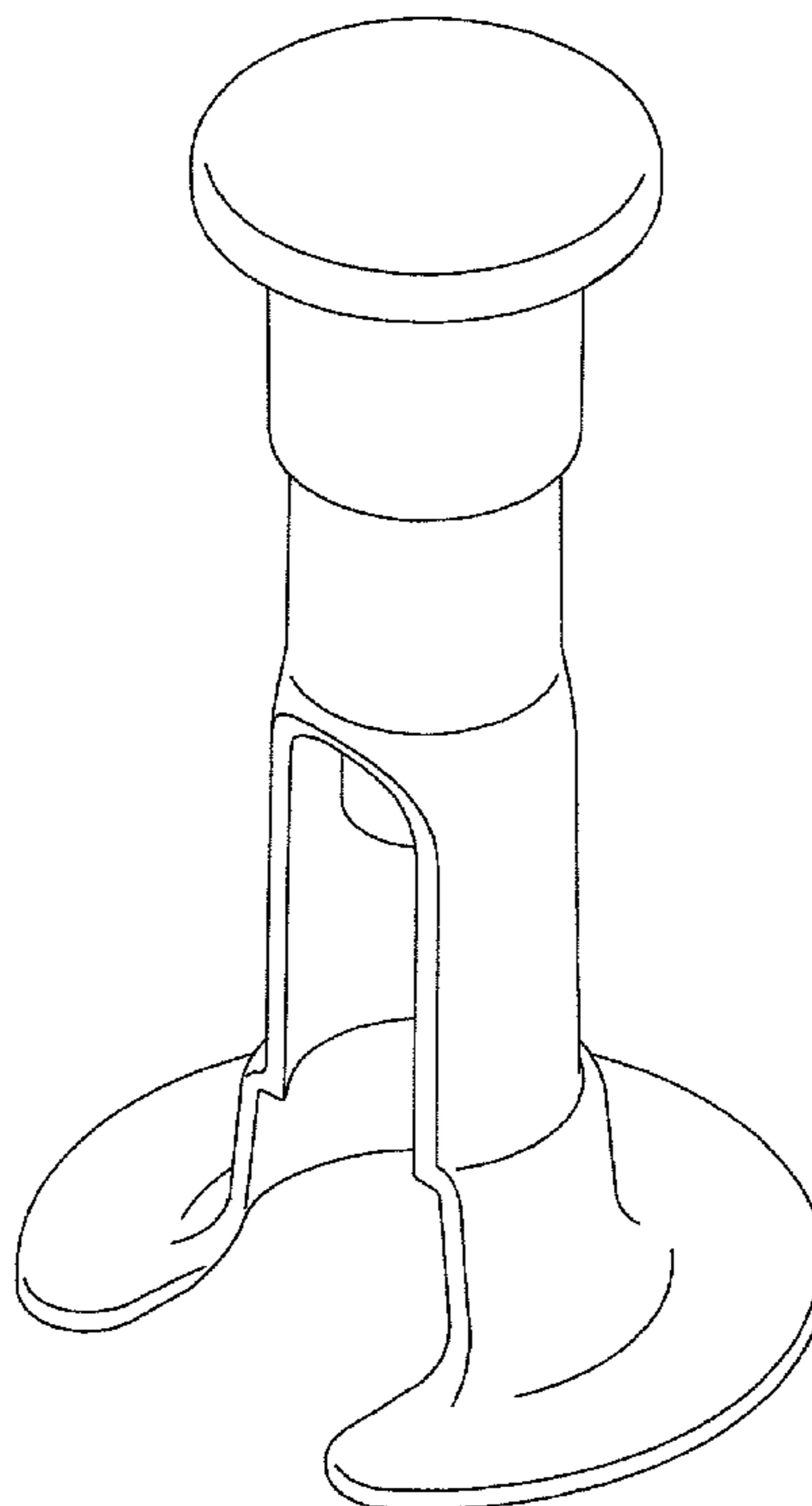


FIG. 1

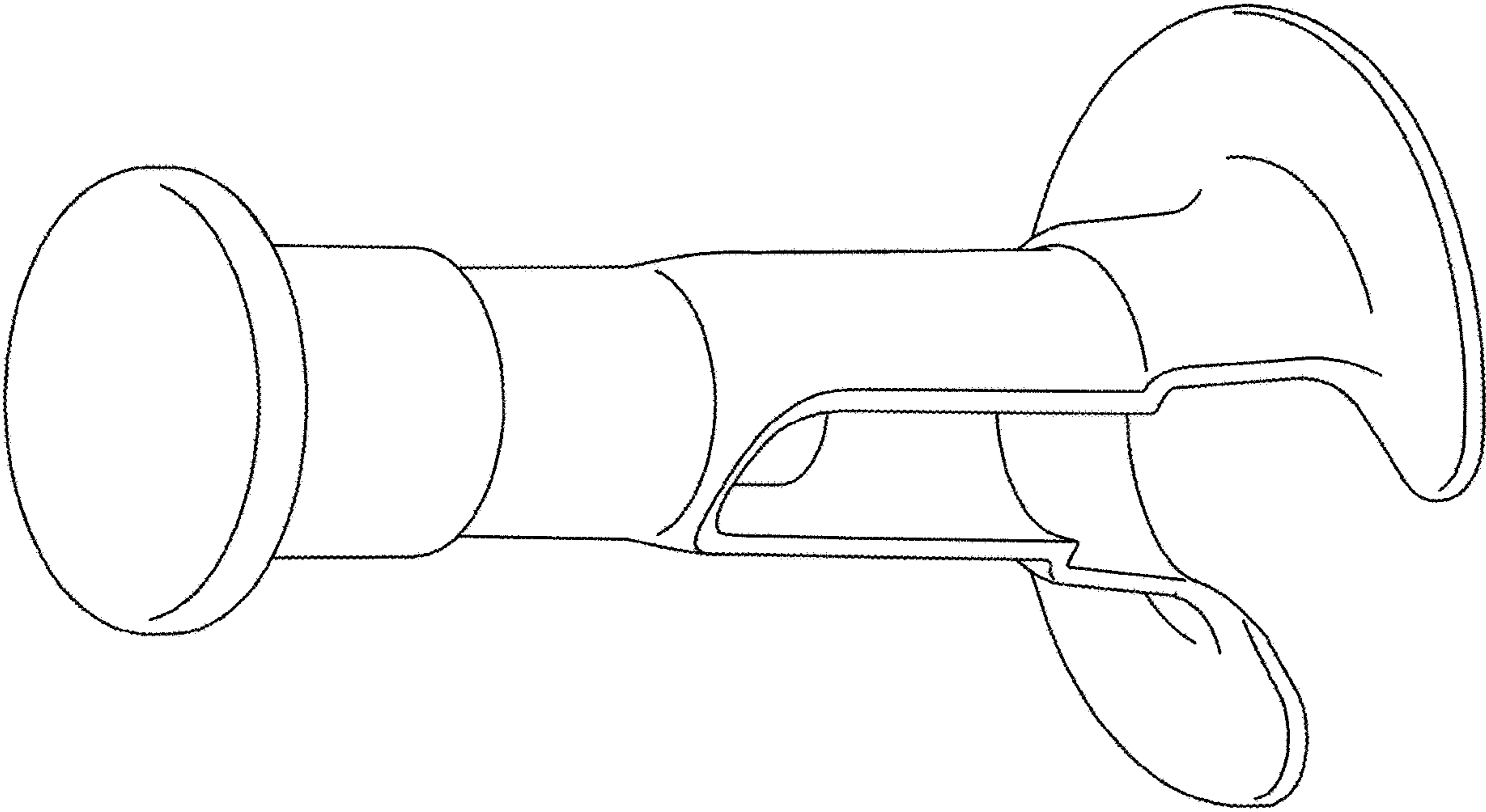


FIG. 2

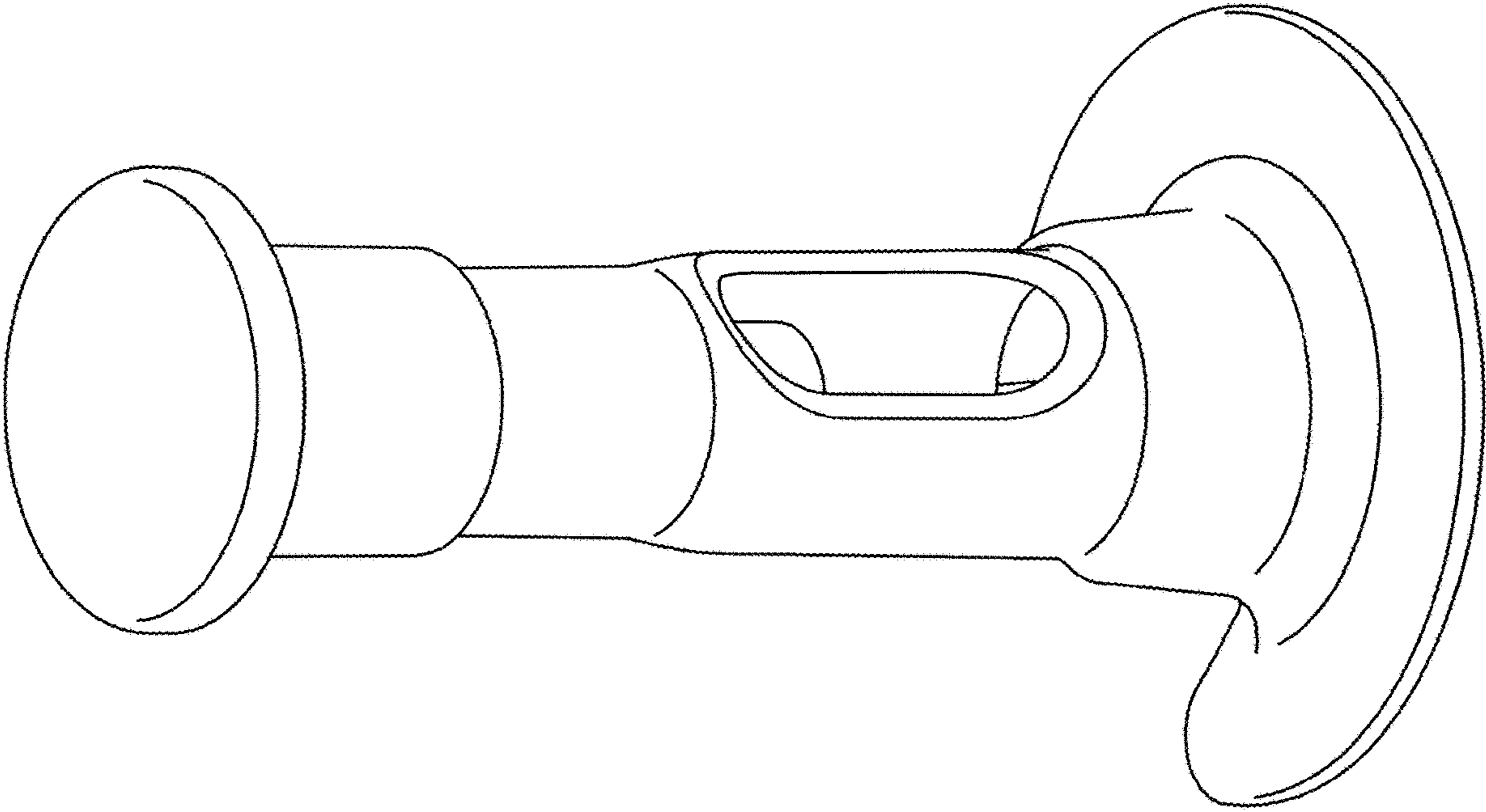


FIG. 3

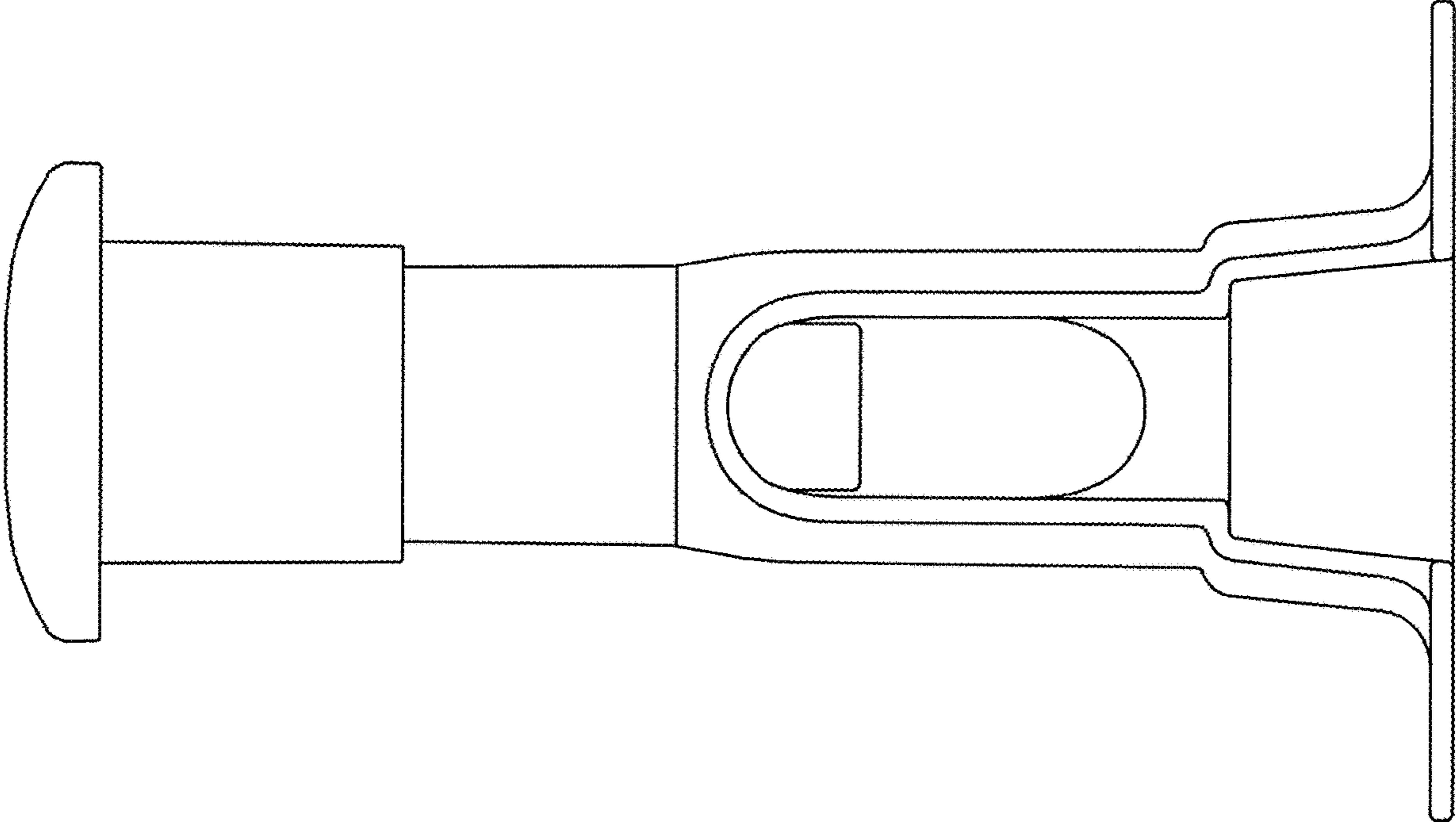


FIG. 4

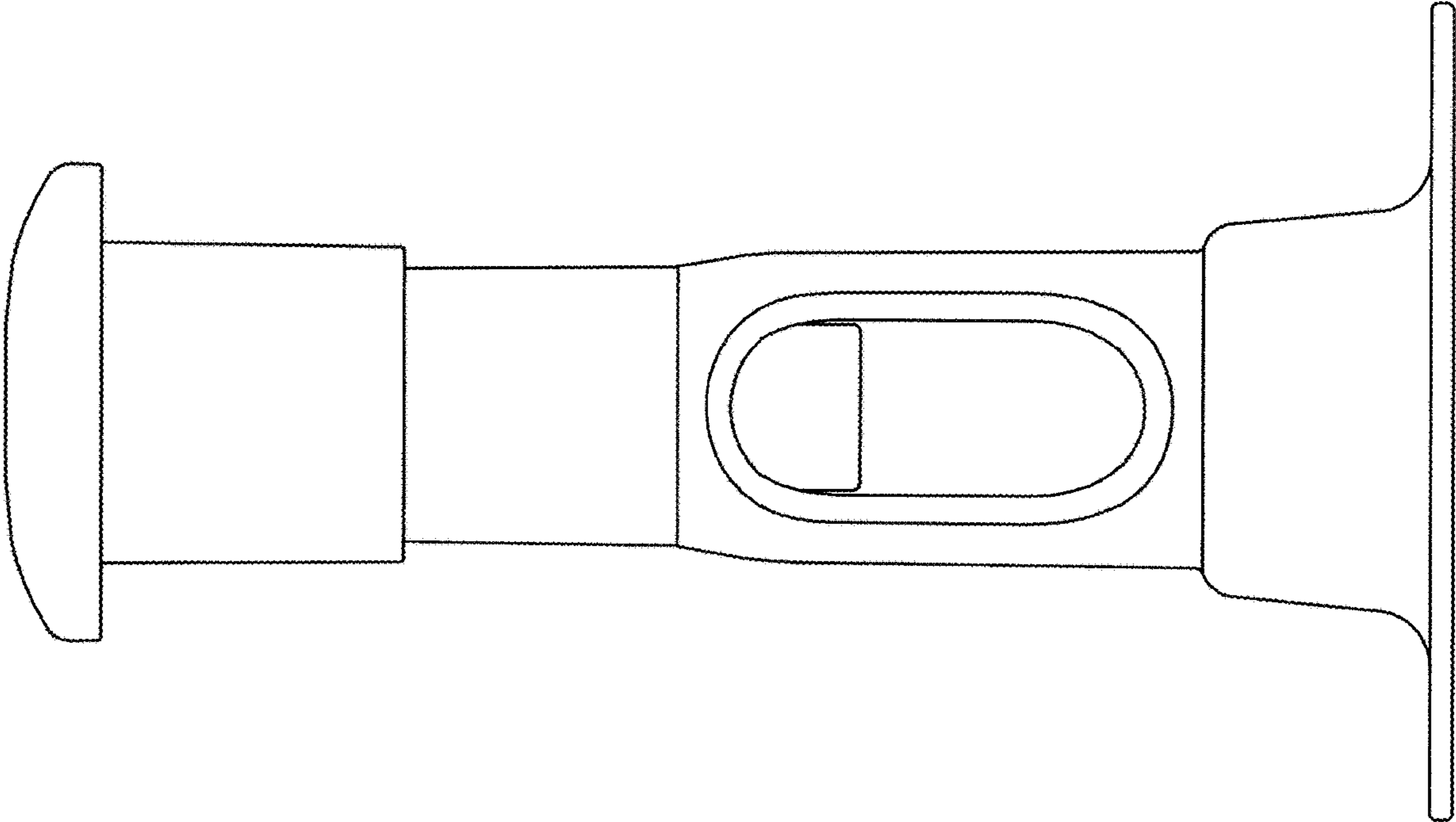


FIG. 5

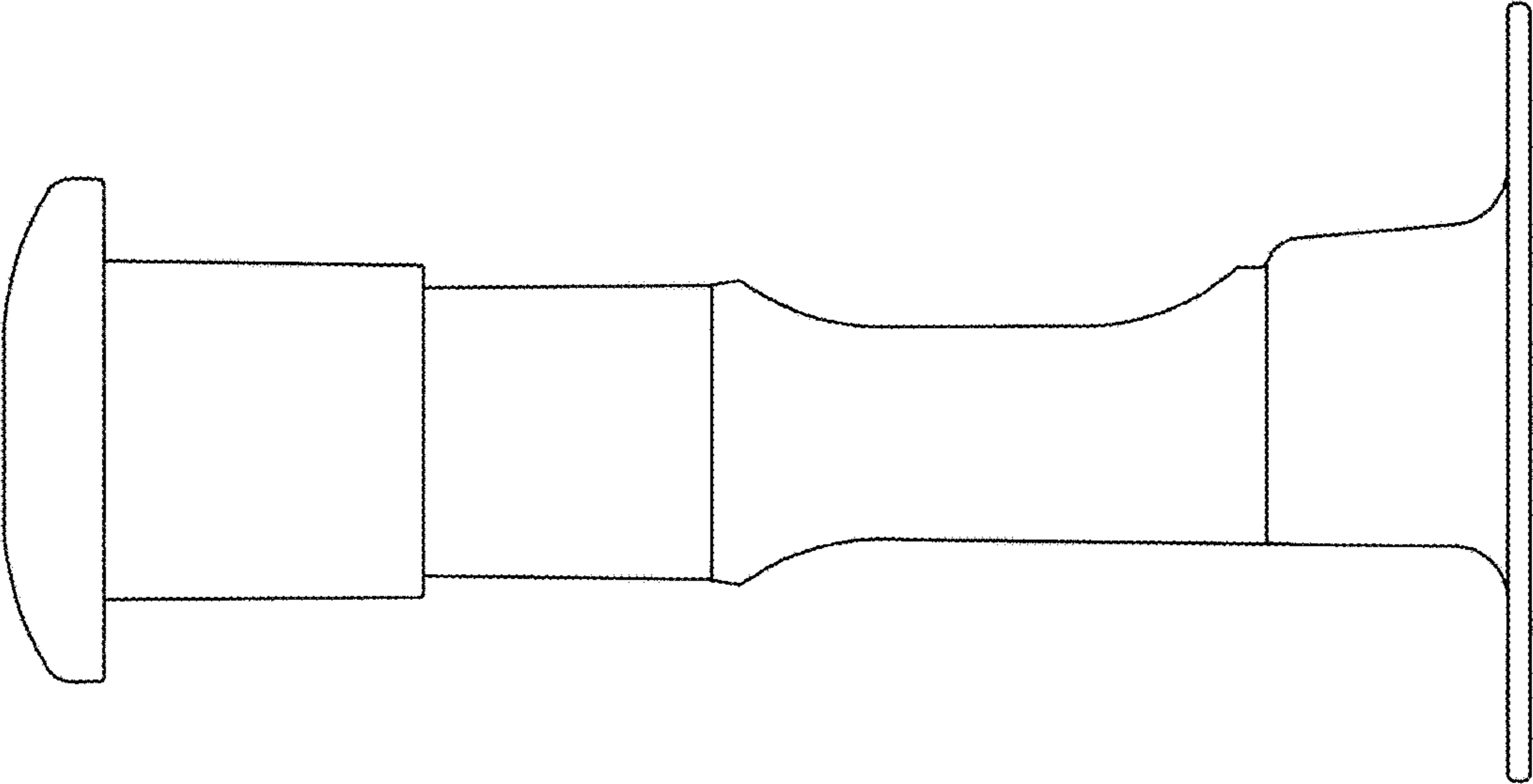


FIG. 6

