



US00D885145S

(12) **United States Design Patent** (10) **Patent No.:** **US D885,145 S**
Nie (45) **Date of Patent:** **** May 26, 2020**

(54) **FOOD CONTAINER**
(71) Applicant: **JIANGMEN CITY XINHUI HENGLONG INNOVATIVE HOUSEWAR**, Jiangmen, Guangdong (CN)

D697,763 S * 1/2014 Carlson D7/602
D748,440 S * 2/2016 Stamper D7/629
D807,168 S * 1/2018 Bouveret D9/425
D814,883 S * 4/2018 Day D7/629
D836,408 S * 12/2018 Pereira Da Silva D7/629
D840,838 S * 2/2019 Wonderley D9/748
D865,513 S * 11/2019 Gelbaugh D9/425
D873,087 S * 1/2020 Touchton D7/605
2007/0235460 A1* 10/2007 Killinger E05C 19/145
220/675

(72) Inventor: **Huayao Nie**, Jiangmen (CN)
(73) Assignee: **JIANGMEN CITY XINHUI HENGLONG INNOVATIVE HOUSEWARES CO., LTD**, Jiangmen, Guangdong (CN)

* cited by examiner
Primary Examiner — Derrick E Holland
Assistant Examiner — Andrew Kerr

(**) Term: **15 Years**

(21) Appl. No.: **29/685,392**

(22) Filed: **Mar. 28, 2019**

(51) **LOC (12) Cl.** **07-01**

(52) **U.S. Cl.**
USPC **D7/629; D9/425**

(58) **Field of Classification Search**
USPC D7/601, 602, 603, 605, 612, 619.1, 629, D7/641; D9/414, 424, 425, 429, 430, D9/432; D34/1; D3/201, 202, 272, 273
CPC B65D 81/18; B65D 81/00; B65D 81/34; B65D 1/00; B65D 1/22; B65D 1/26; B65D 1/34; B65D 1/40; B65D 1/42; B65D 21/00; B65D 21/02; B65D 21/0233
See application file for complete search history.

(56) **References Cited**
U.S. PATENT DOCUMENTS

D656,369 S * 3/2012 Everson B65D 43/162
D7/629
D691,037 S * 10/2013 Chen D9/423

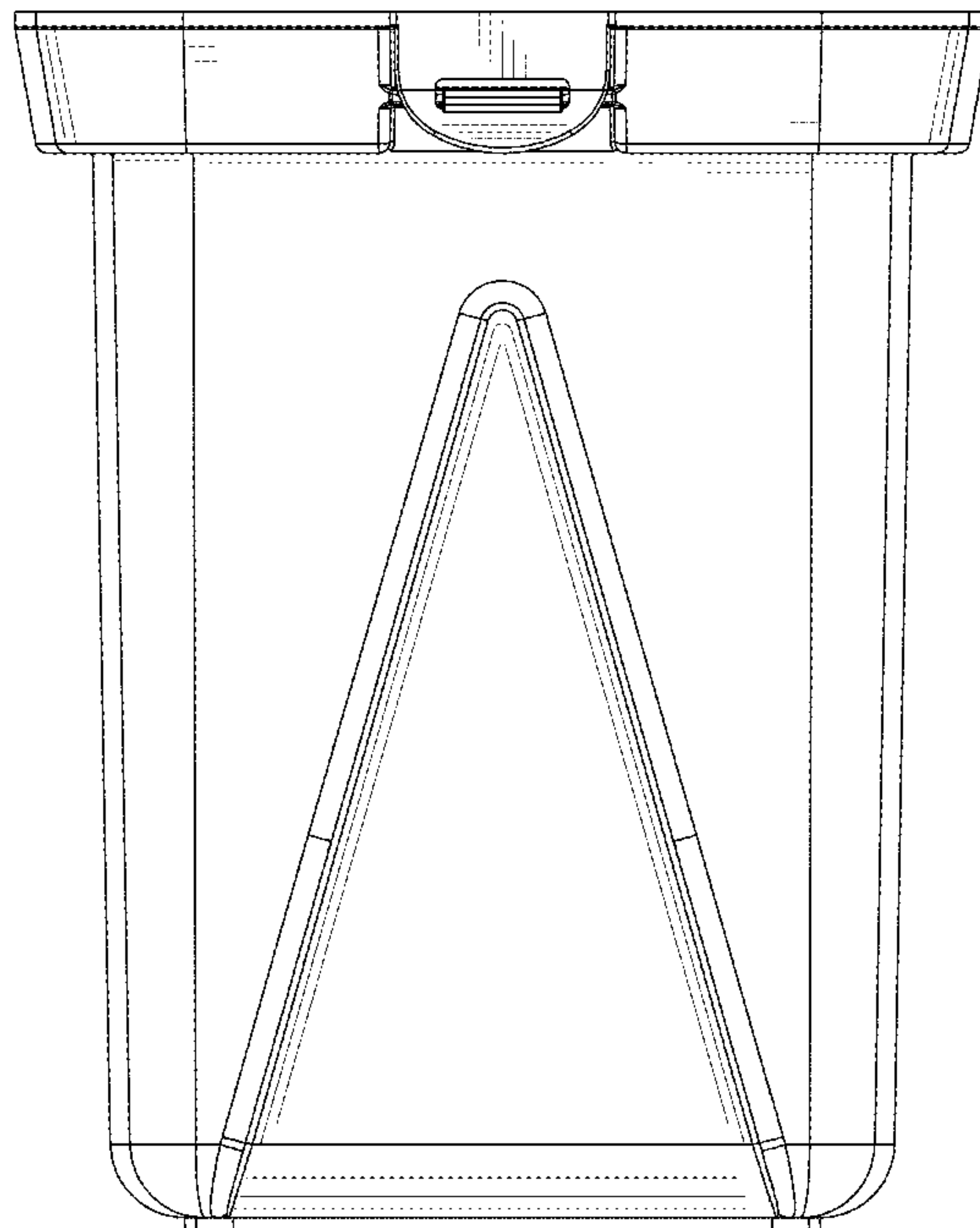
(57) **CLAIM**

The ornamental design for a food container, as shown and described.

DESCRIPTION

FIG. 1 is a front view of a food container, showing our new design;
FIG. 2 is a rear view thereof;
FIG. 3 is a left view thereof;
FIG. 4 is a right view thereof;
FIG. 5 is a top view thereof;
FIG. 6 is a bottom view thereof;
FIG. 7 is a front perspective view thereof;
FIG. 8 is a rear perspective view thereof; and,
FIG. 9 is a bottom perspective view thereof.

1 Claim, 9 Drawing Sheets



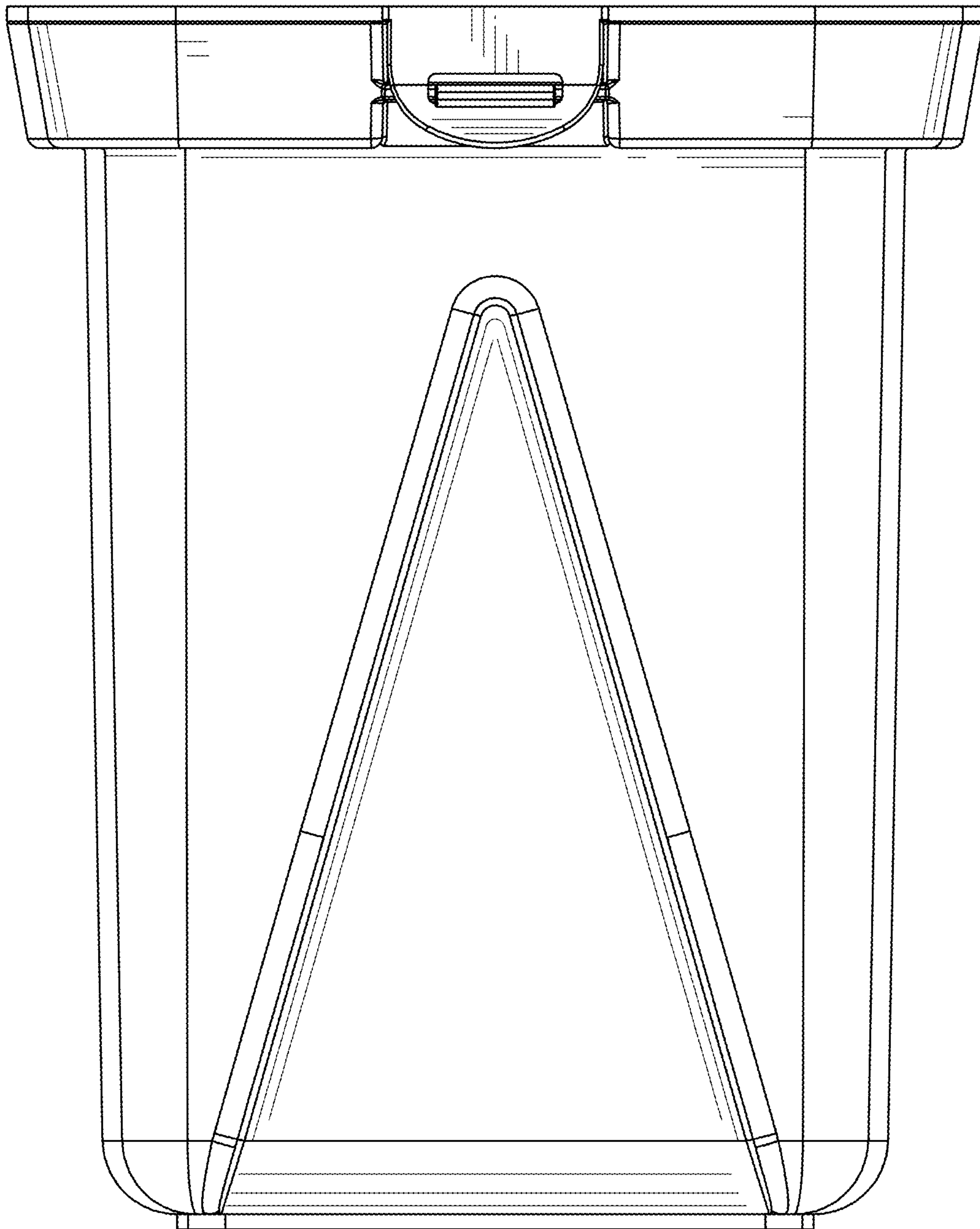


FIG. 1

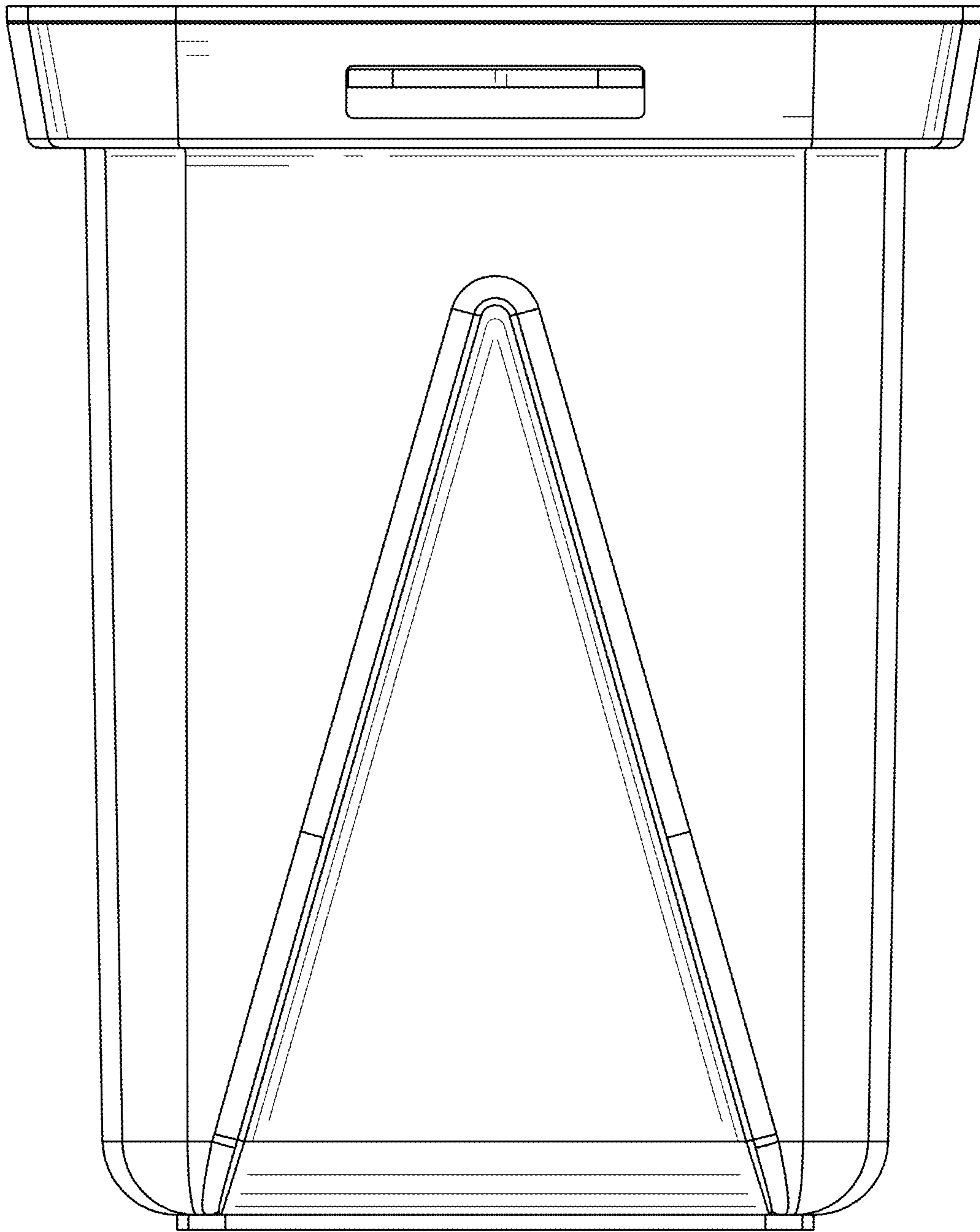


FIG. 2

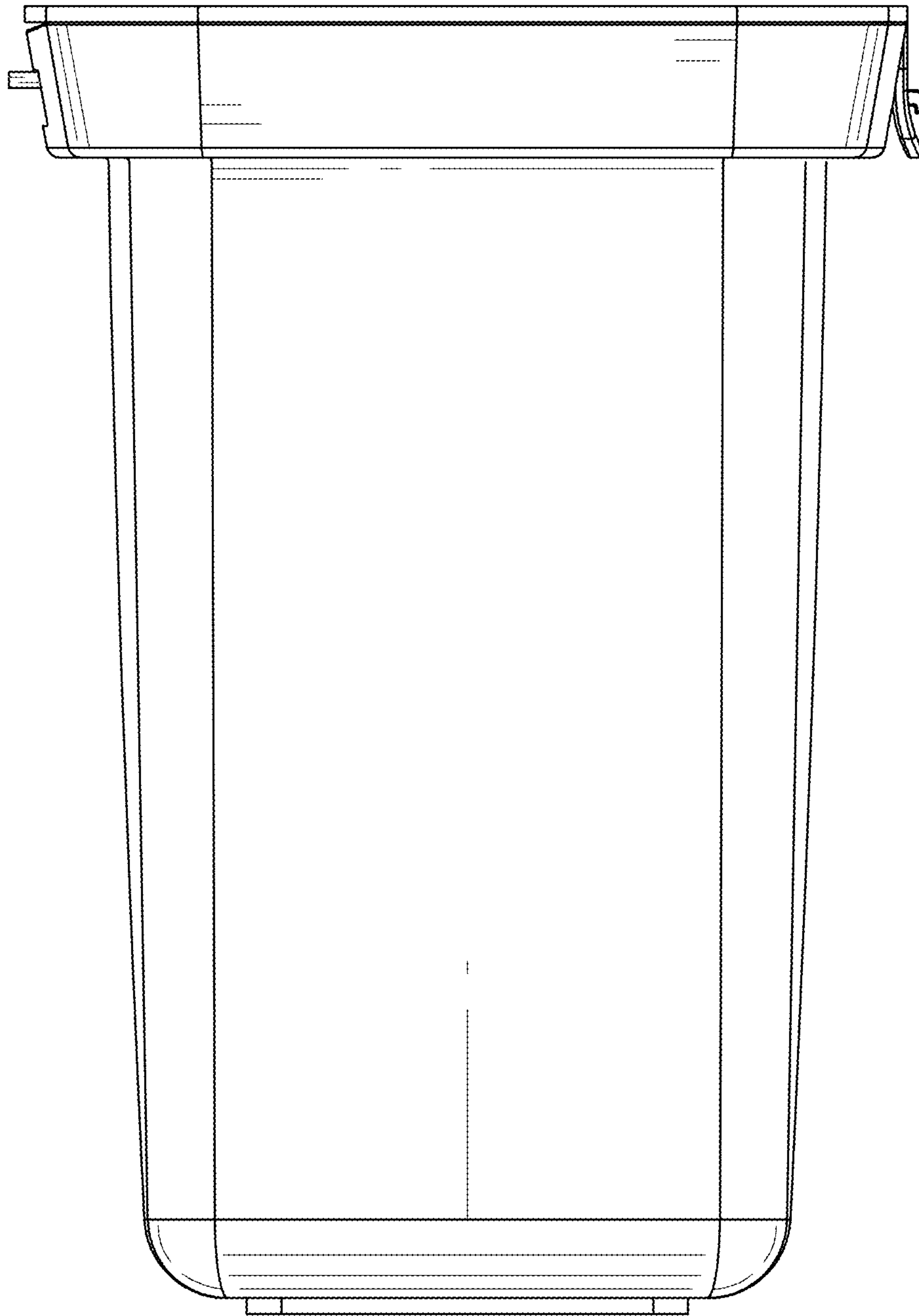


FIG. 3

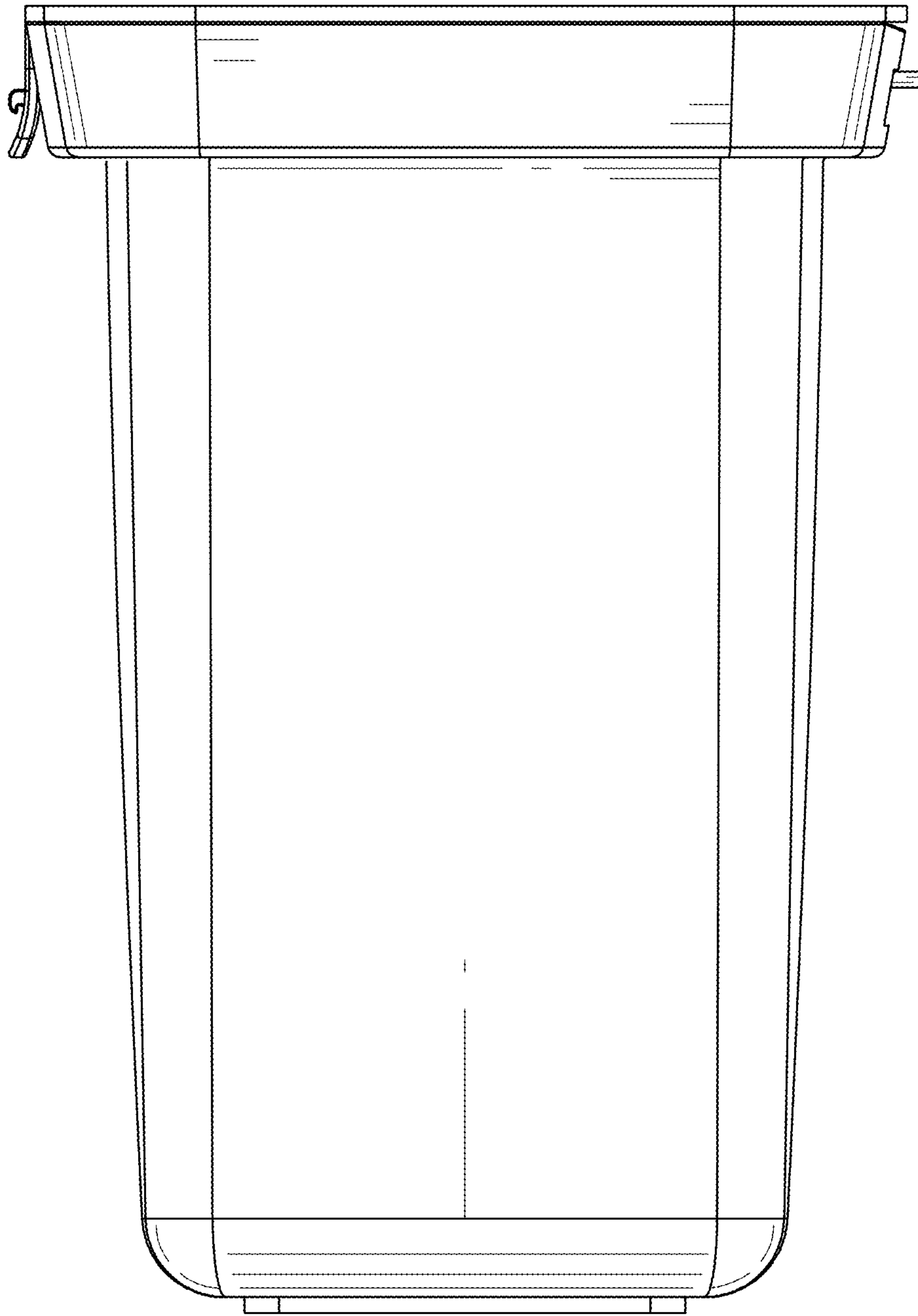


FIG. 4

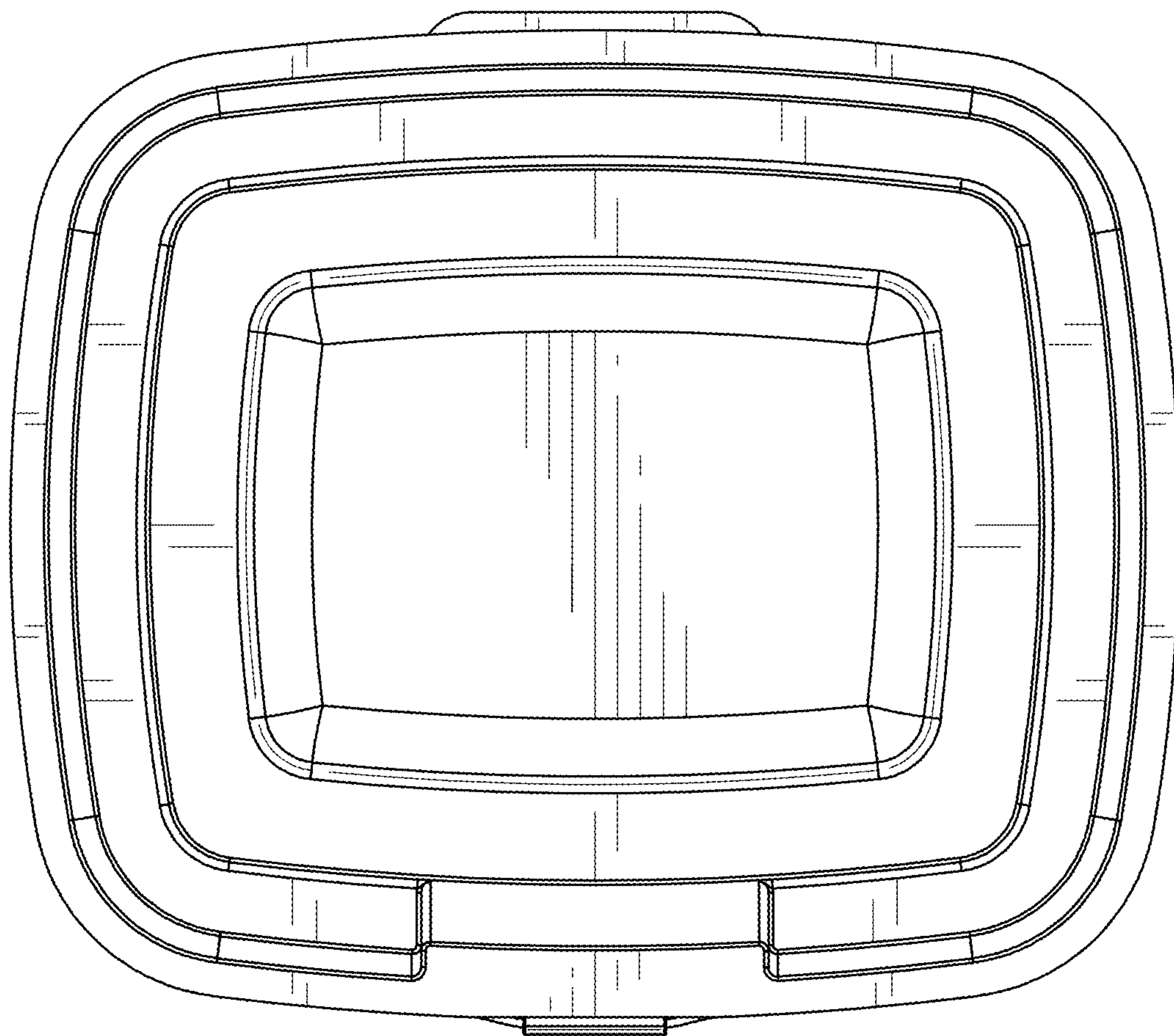


FIG. 5

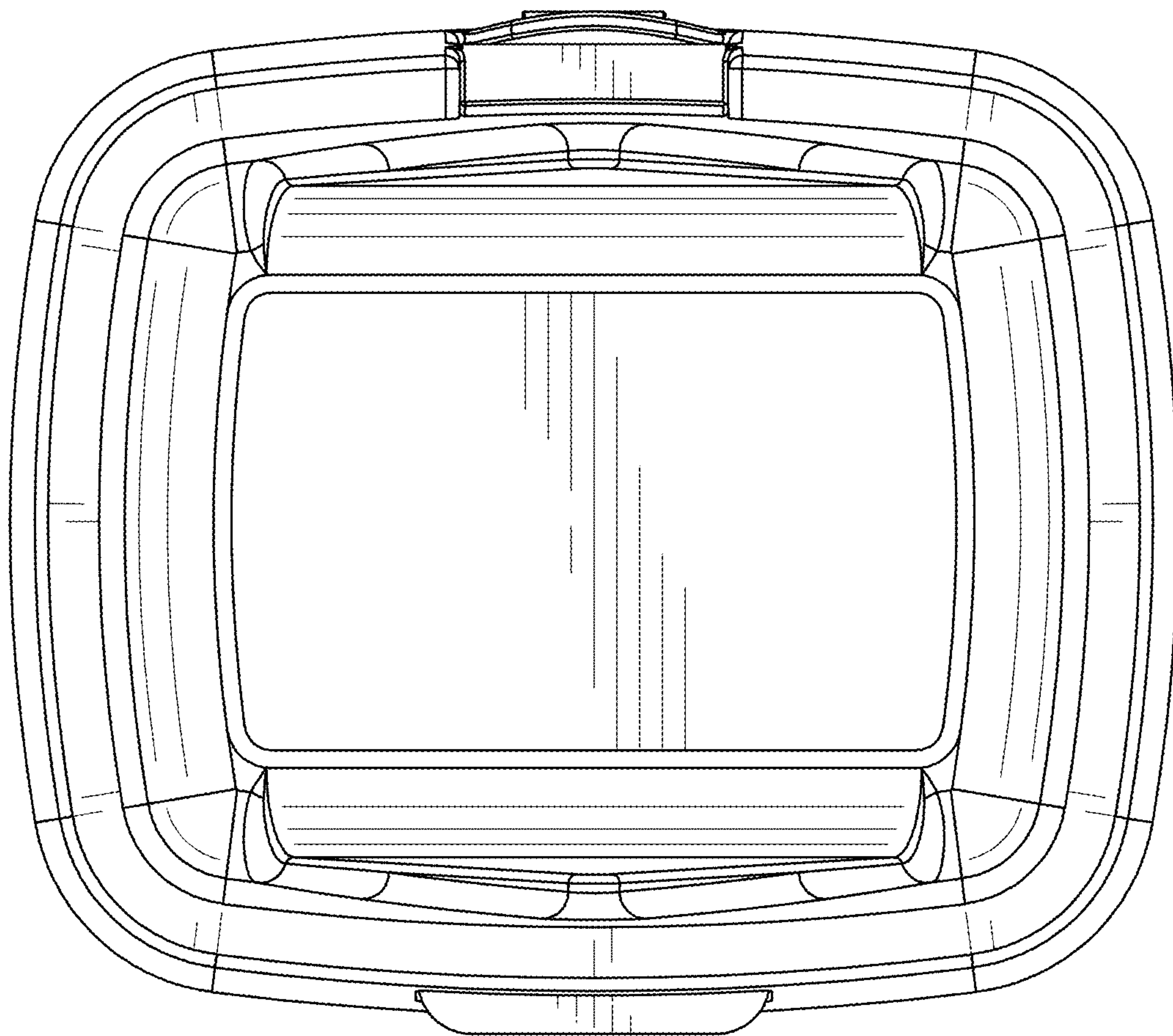


FIG. 6

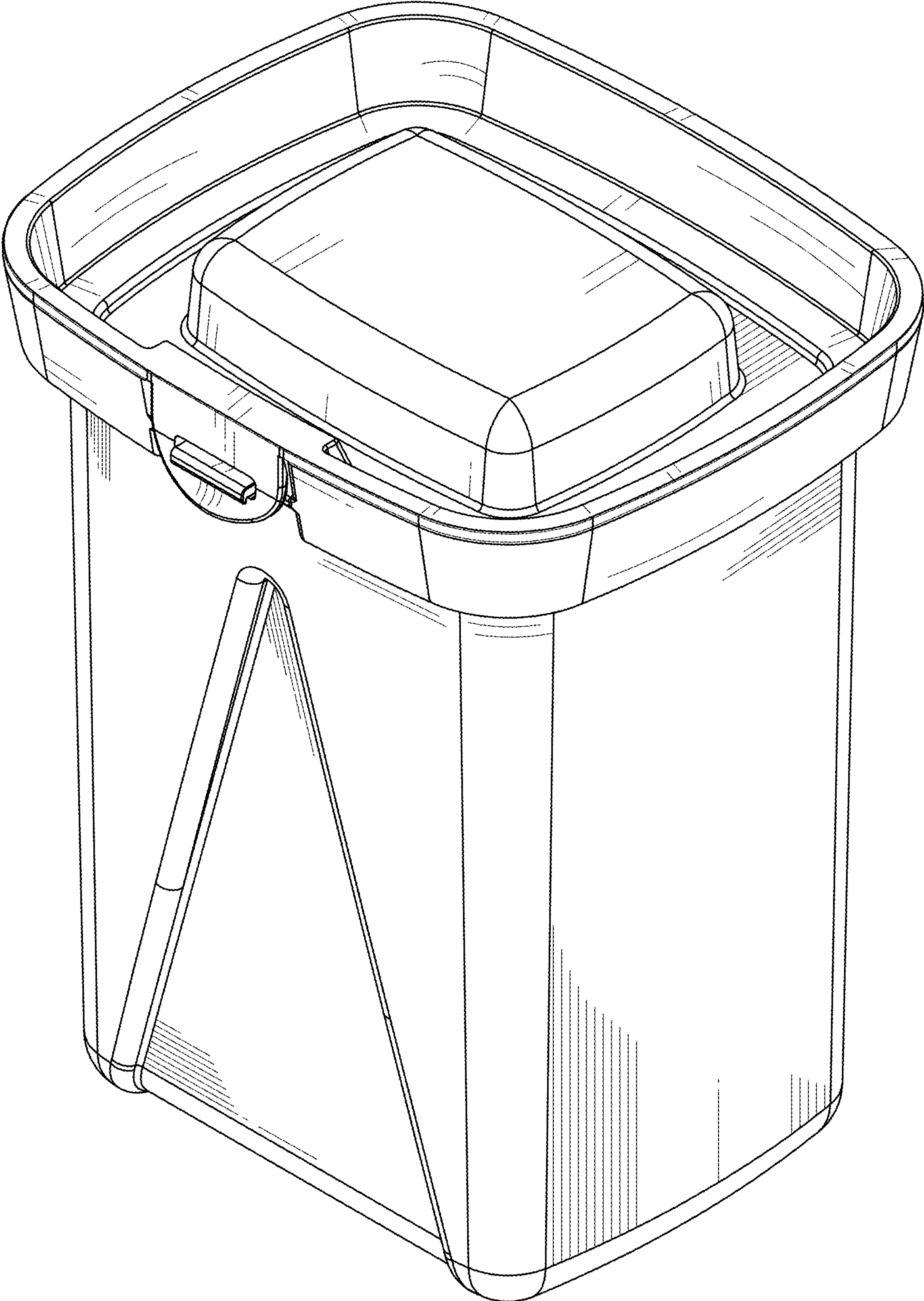


FIG. 7

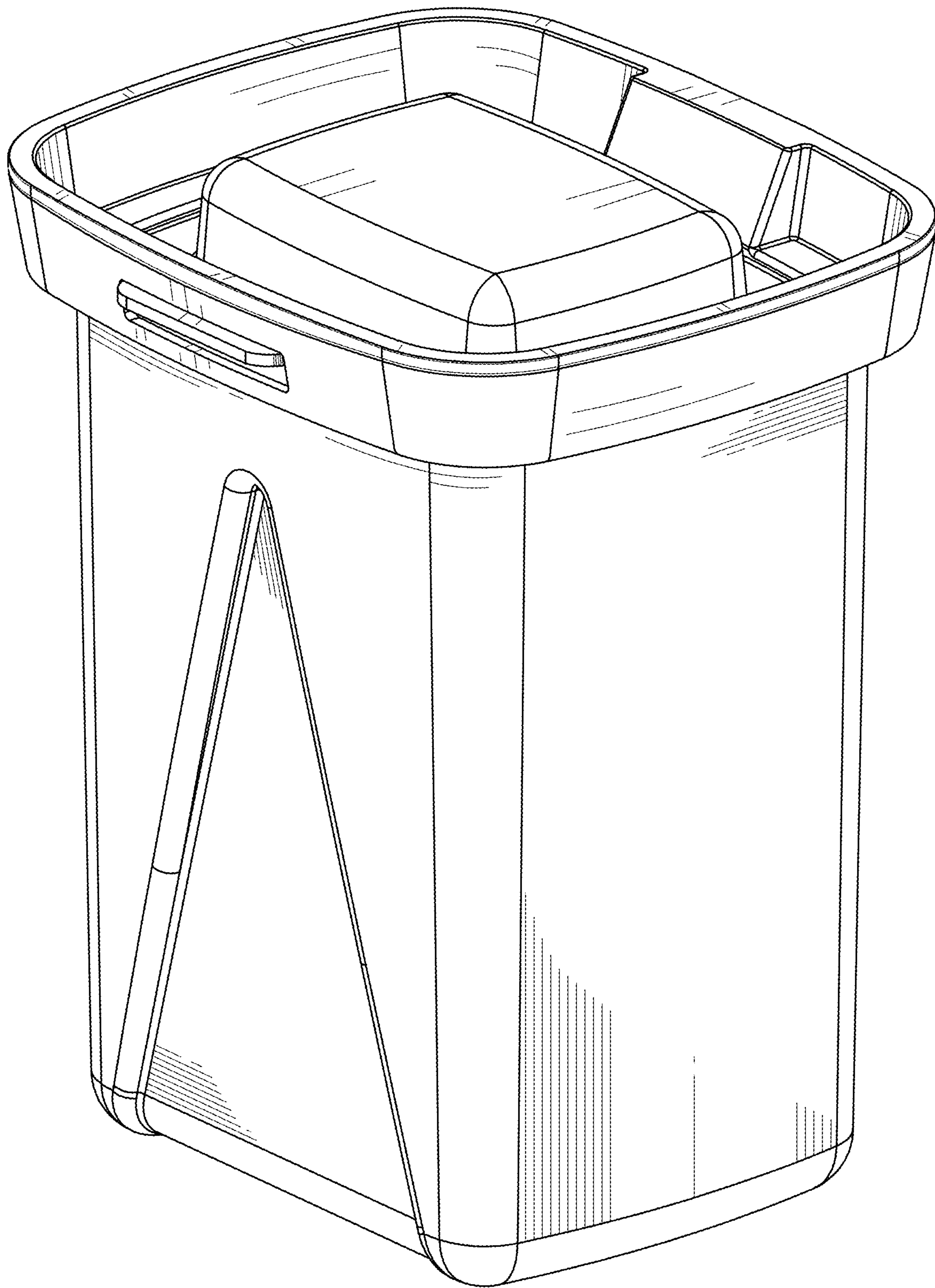


FIG. 8

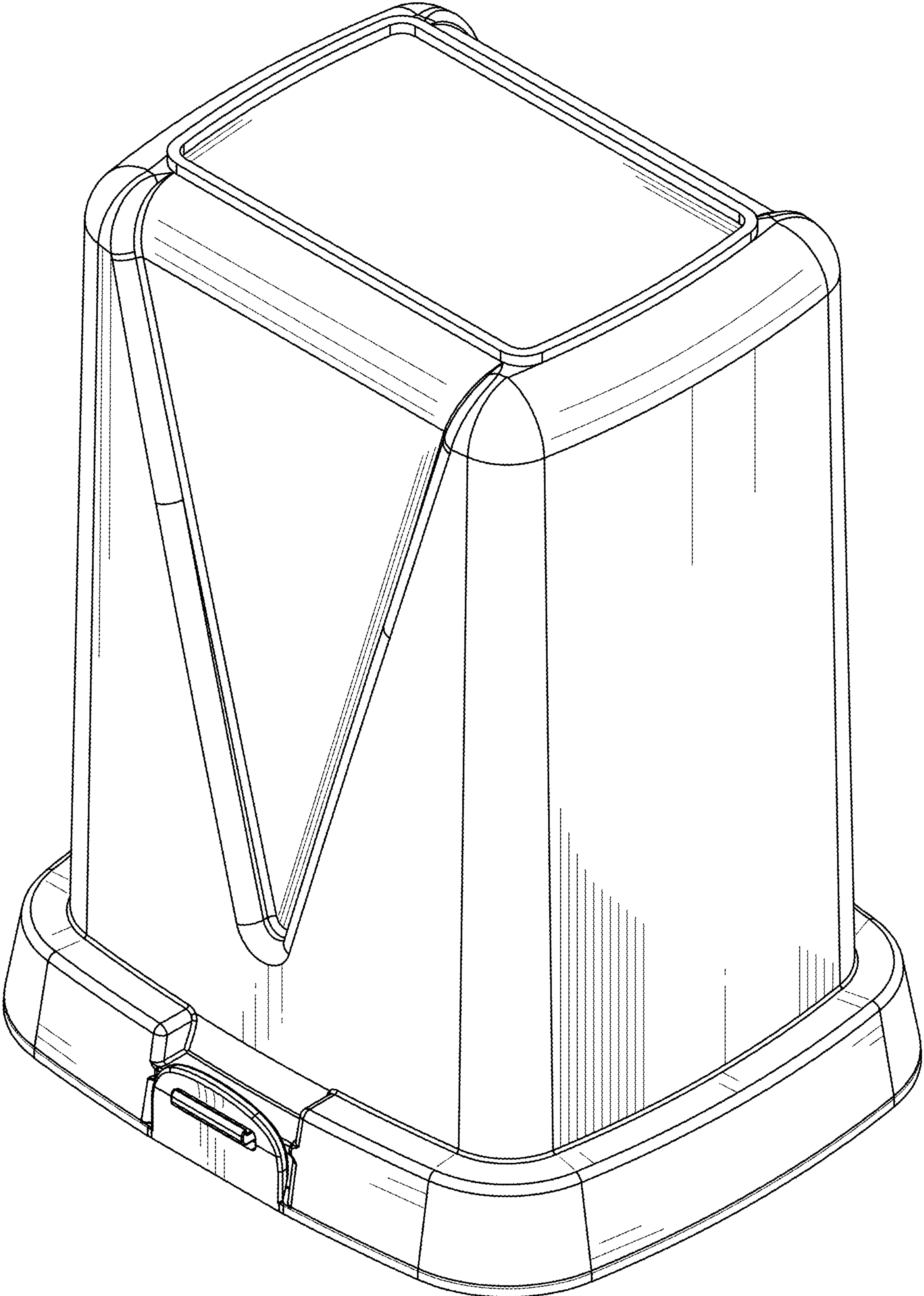


FIG. 9