



US00D885144S

(12) **United States Design Patent** (10) **Patent No.:** **US D885,144 S**
Huckestein et al. (45) **Date of Patent:** **** May 26, 2020**

(54) **LUNCH BOX**

(71) Applicants: **William Huckestein**, Ventura, CA
(US); **Scott Kim**, San Diego, CA (US)

(72) Inventors: **William Huckestein**, Ventura, CA
(US); **Scott Kim**, San Diego, CA (US)

(**) Term: **15 Years**

(21) Appl. No.: **29/666,121**

(22) Filed: **Oct. 10, 2018**

(51) **LOC (12) Cl.** **09-07**

(52) **U.S. Cl.**
USPC **D7/628**

(58) **Field of Classification Search**
USPC D7/601, 602, 701, 702, 703, 628, 629,
D7/396.1, 550.1, 551.1, 553.1, 553,
D7/554.2, 571; D9/424, 425, 428;
D3/201, 203.1, 203.2, 203.3, 203.6;
D19/102, 104
CPC B65D 43/00; B65D 43/02; B65D 43/0214;
B65D 25/04; A47J 47/00; A47J 47/02;
A47J 47/14
See application file for complete search history.

(56) **References Cited**

U.S. PATENT DOCUMENTS

D291,042 S *	7/1987	Fahey	D7/555
6,382,452 B1 *	5/2002	Getachew	B65D 21/0204 220/23.4
D483,999 S *	12/2003	Beachum	D7/357
D484,000 S *	12/2003	Levien	D7/553.6
D489,579 S *	5/2004	Wright	D7/629
D494,012 S *	8/2004	Bandy-Helderman	D7/544
D609,058 S *	2/2010	Roth	D7/602
D645,707 S *	9/2011	Stamper	D7/602
D665,675 S *	8/2012	Wu	D7/629
D683,497 S *	5/2013	Ghiotti	D27/186
D685,613 S *	7/2013	Baez	D7/553.1
D705,612 S *	5/2014	Tran	D7/629

D751,865 S *	3/2016	Harris	D7/553.2
D753,443 S *	4/2016	Mock	D7/555
D796,919 S *	9/2017	Janowitz	D3/295
D802,836 S *	11/2017	Ghiotti	D27/186
D830,796 S *	10/2018	Chen	D7/703
10,104,991 B2 *	10/2018	Reichel	A47G 19/02
D846,356 S *	4/2019	Manos	D7/553.1
D853,199 S *	7/2019	Huang	D7/551.1
D859,085 S *	9/2019	Delgado Carmona	D7/602
D859,936 S *	9/2019	Buck	D7/629
2018/0297742 A1 *	10/2018	Dube	B65D 1/36

* cited by examiner

Primary Examiner — Derrick E Holland

Assistant Examiner — Andrew Kerr

(74) *Attorney, Agent, or Firm* — Quickpatents, LLC;
Kevin Prince

(57) **CLAIM**

We claim the ornamental design for a lunch box, as shown and described.

DESCRIPTION

FIG. 1 is a perspective view of a lunch box, showing our new design;

FIG. 2 is a front elevational view of FIG. 1;

FIG. 3 is a rear elevational view of FIG. 1;

FIG. 4 is a left-side elevational view of FIG. 1;

FIG. 5 is a top plan view of FIG. 1;

FIG. 6 is a bottom plan view of FIG. 1;

FIG. 7 is an exploded top perspective view thereof;

FIG. 8 is an exploded bottom perspective view of FIG. 7;

FIG. 9 is an exploded front elevational view of FIG. 7;

FIG. 10 is an exploded rear elevational view of FIG. 7;

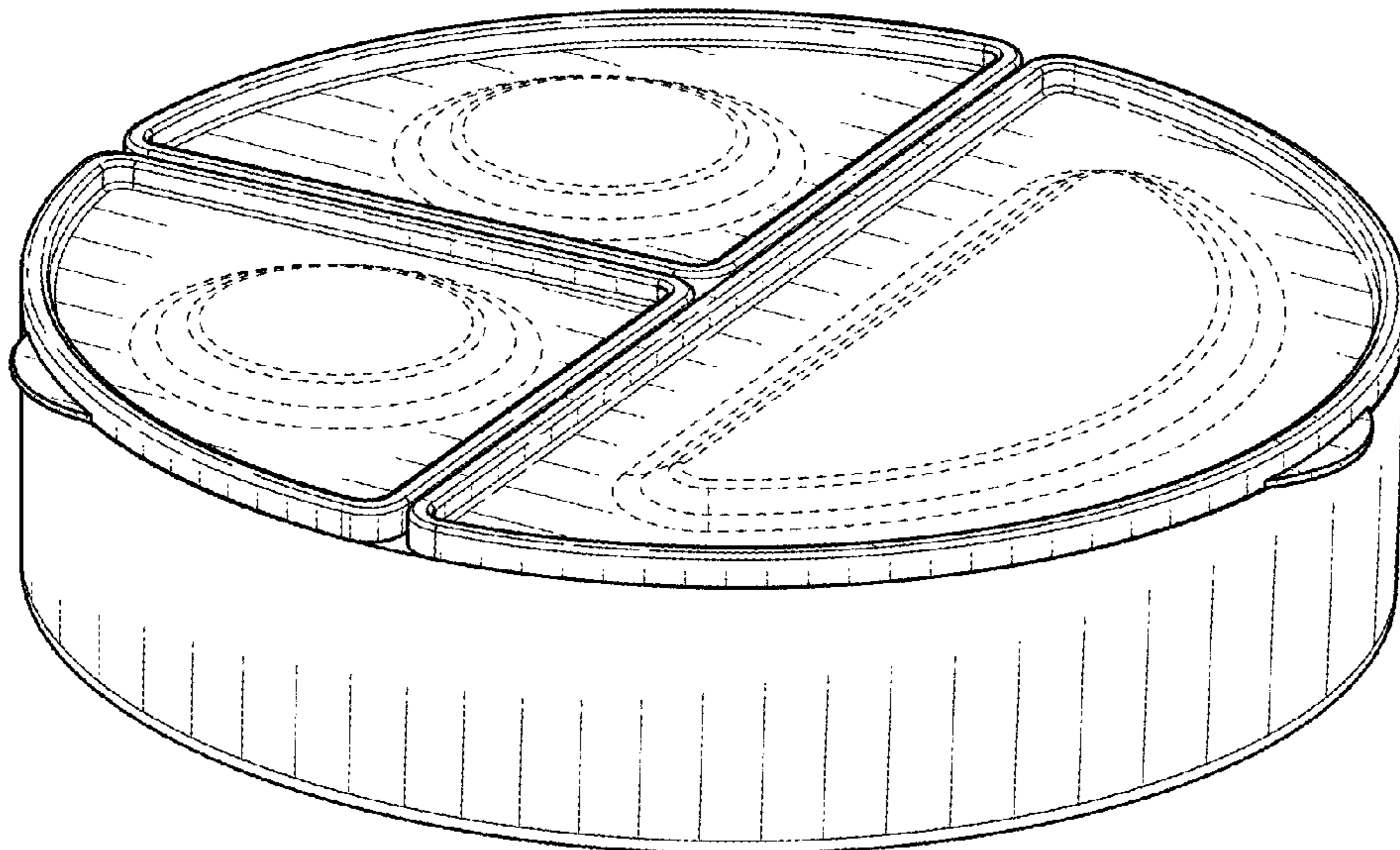
FIG. 11 is an exploded left-side elevational view of FIG. 7;

FIG. 12 is an exploded top plan view of FIG. 7; and,

FIG. 13 is an exploded bottom plan view of FIG. 7.

The broken lines in the drawing depict portions of the lunch box that form no part of the claimed design.

1 Claim, 11 Drawing Sheets



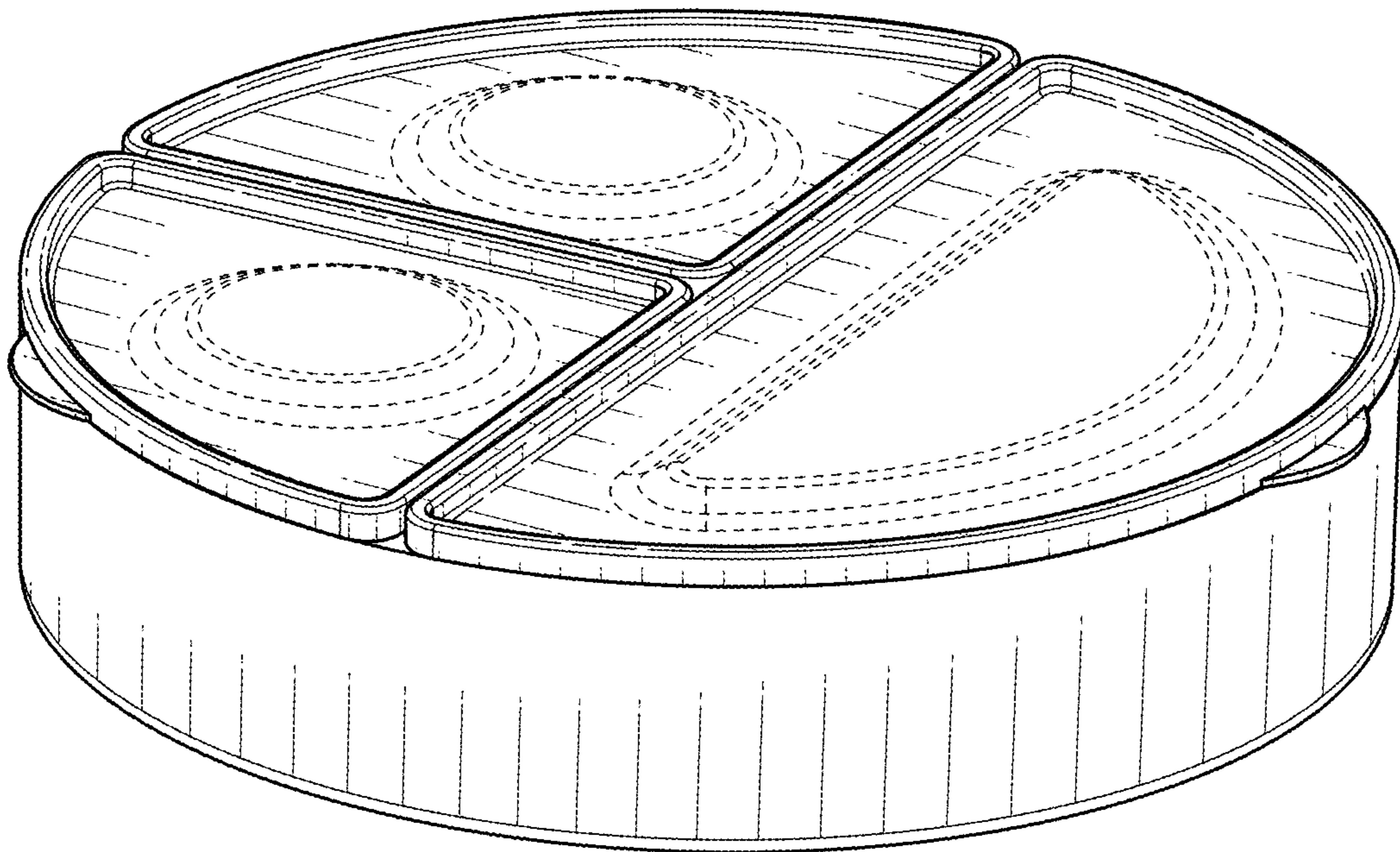


FIG. 1

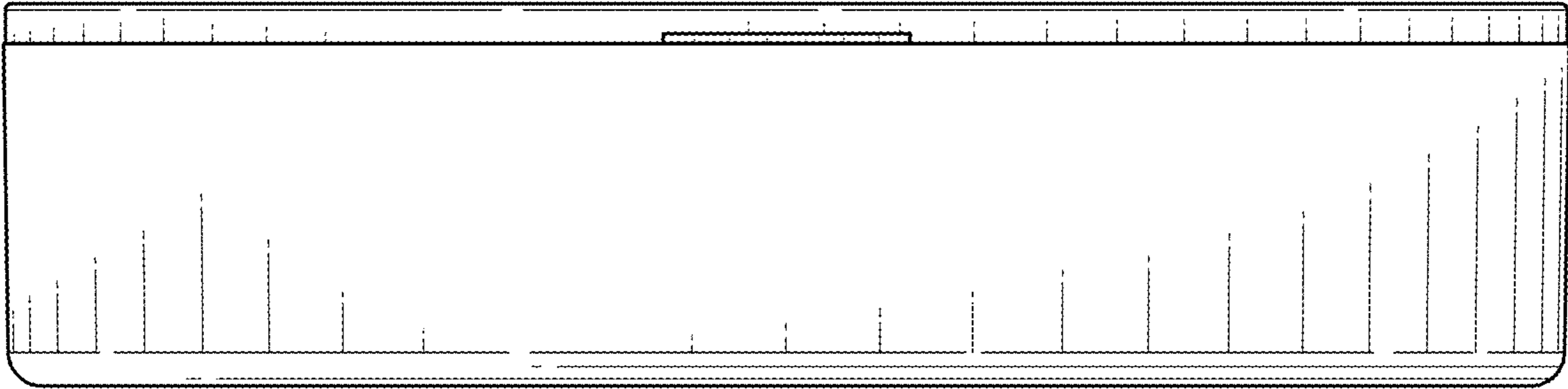


FIG. 2

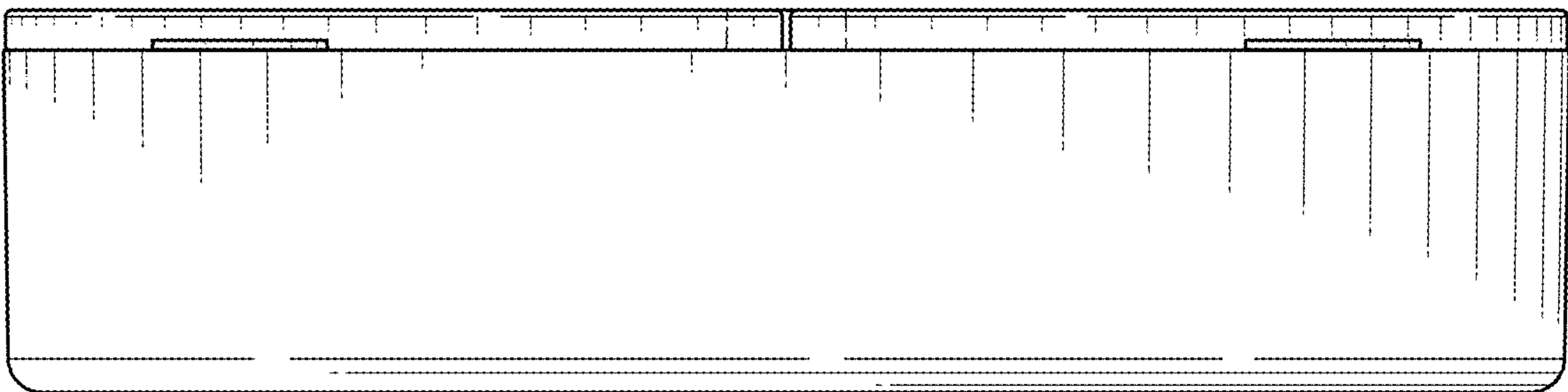


FIG. 3

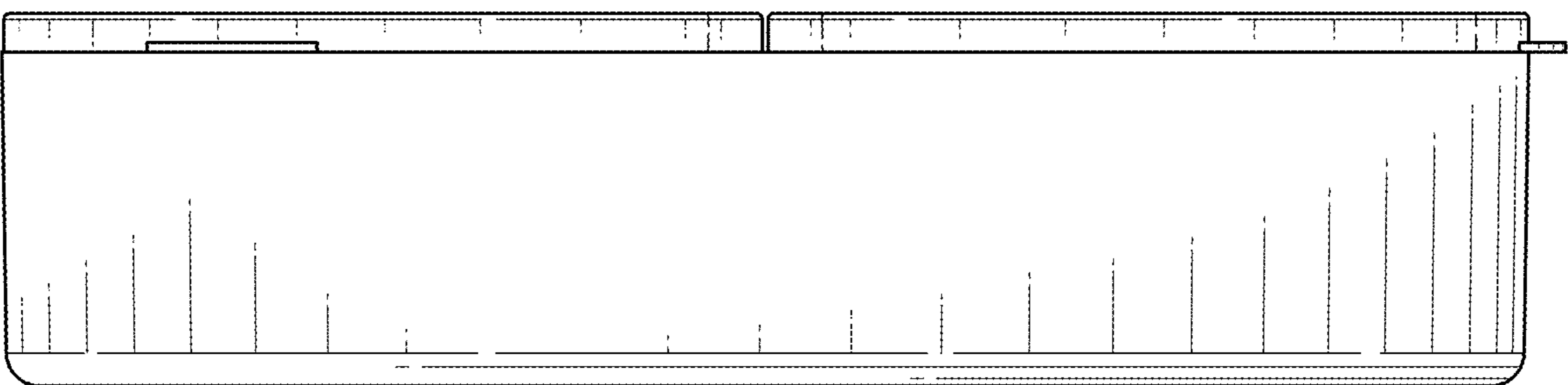


FIG. 4

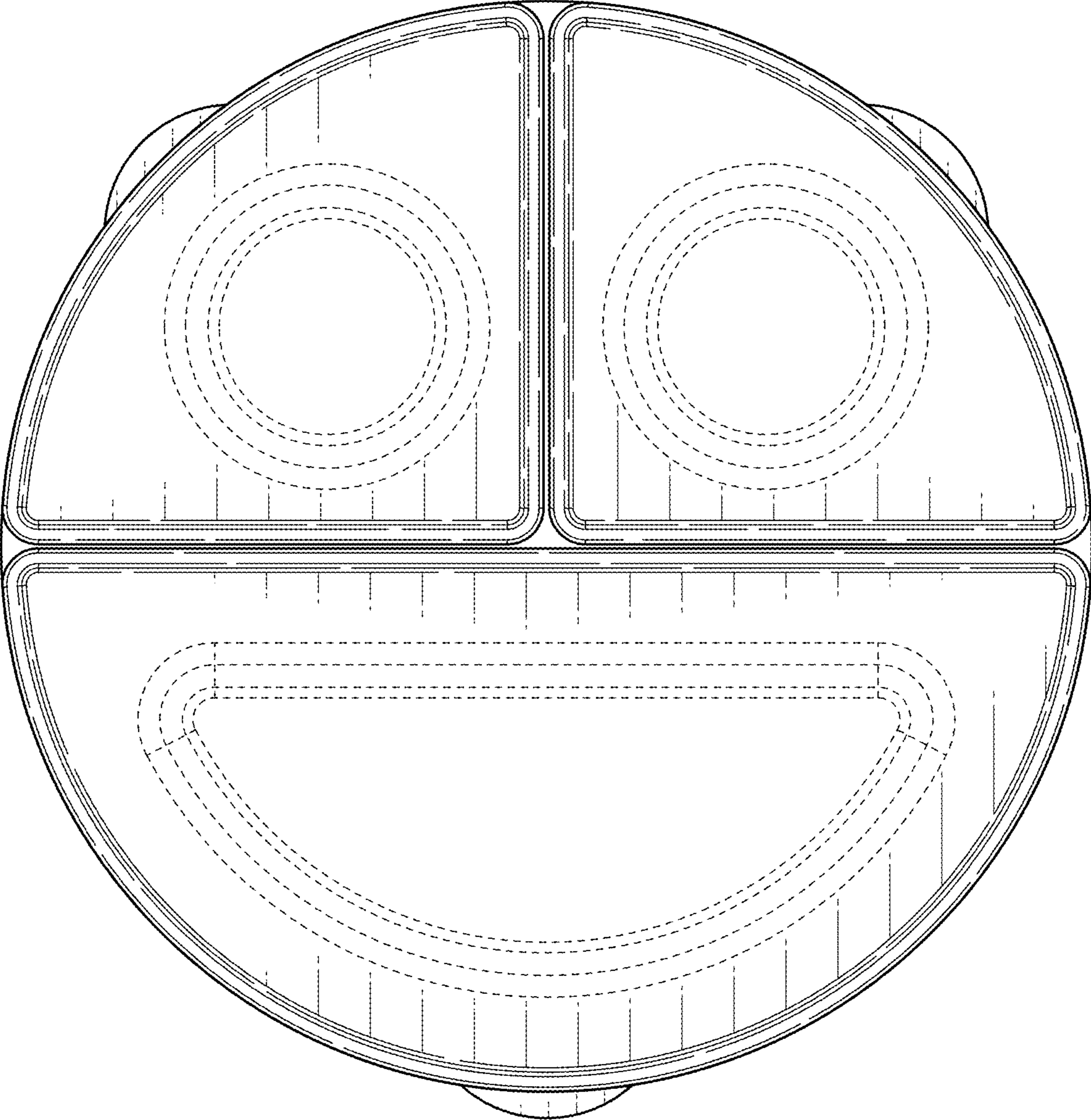


FIG. 5

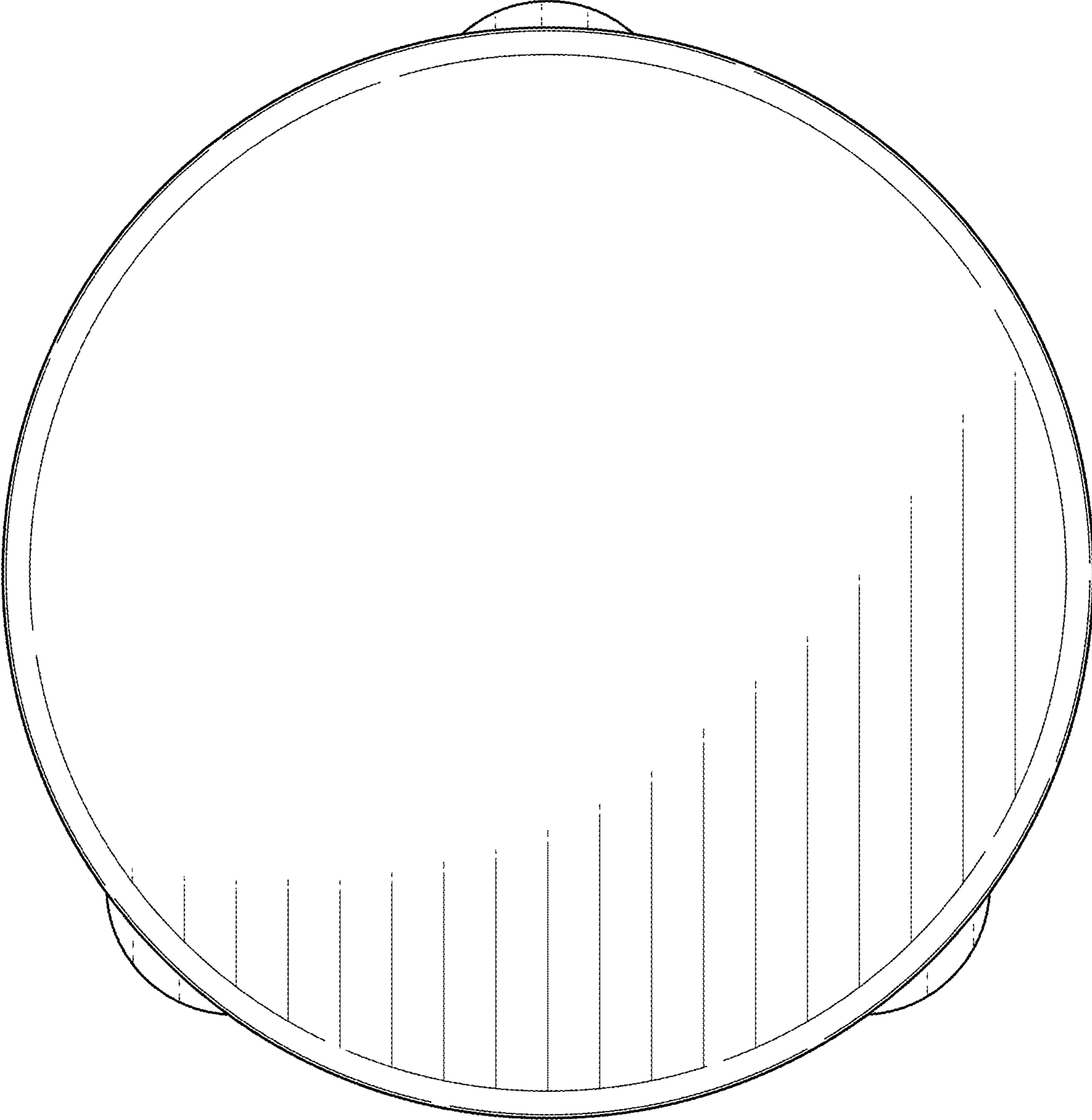


FIG. 6

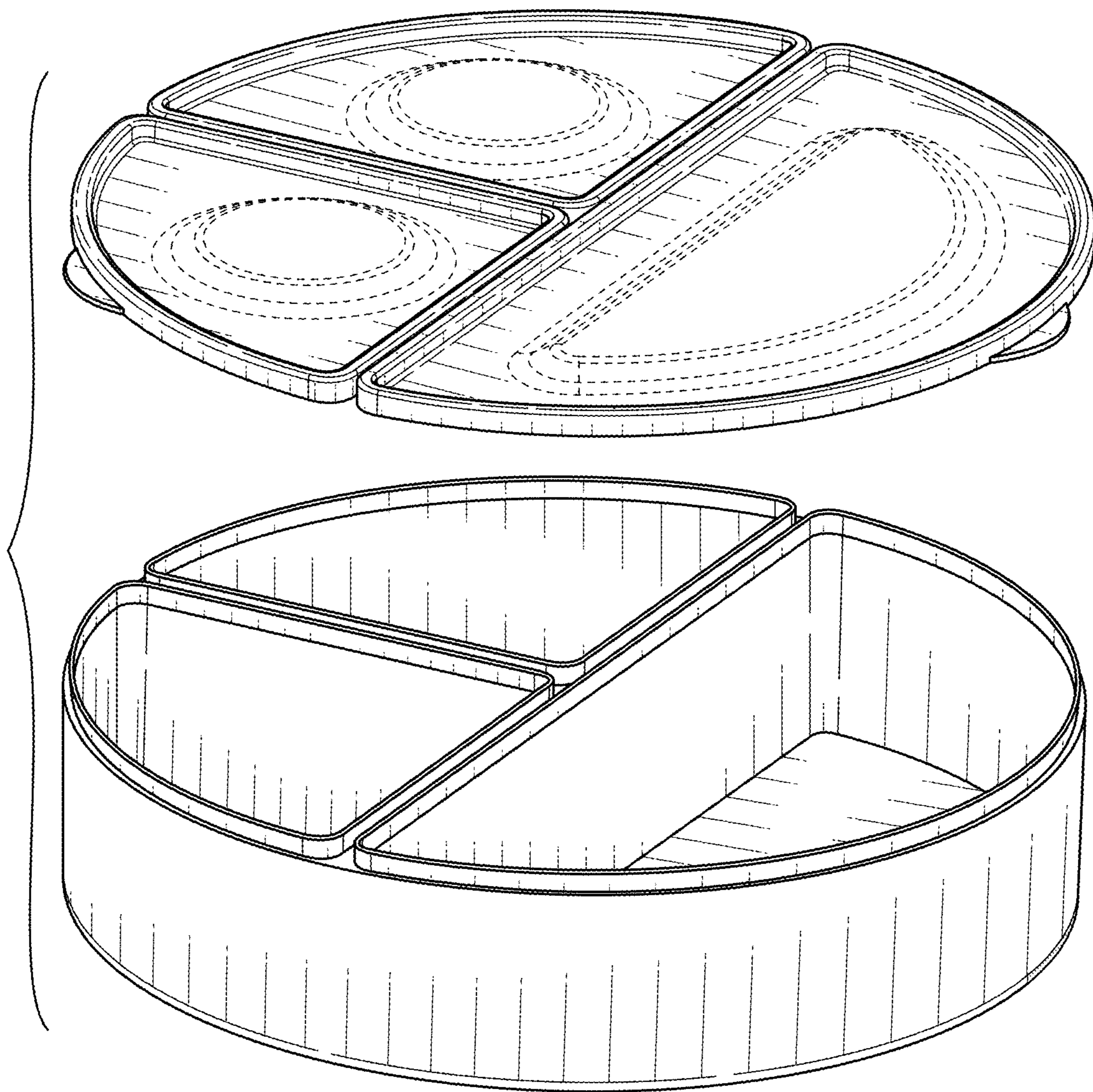


FIG. 7

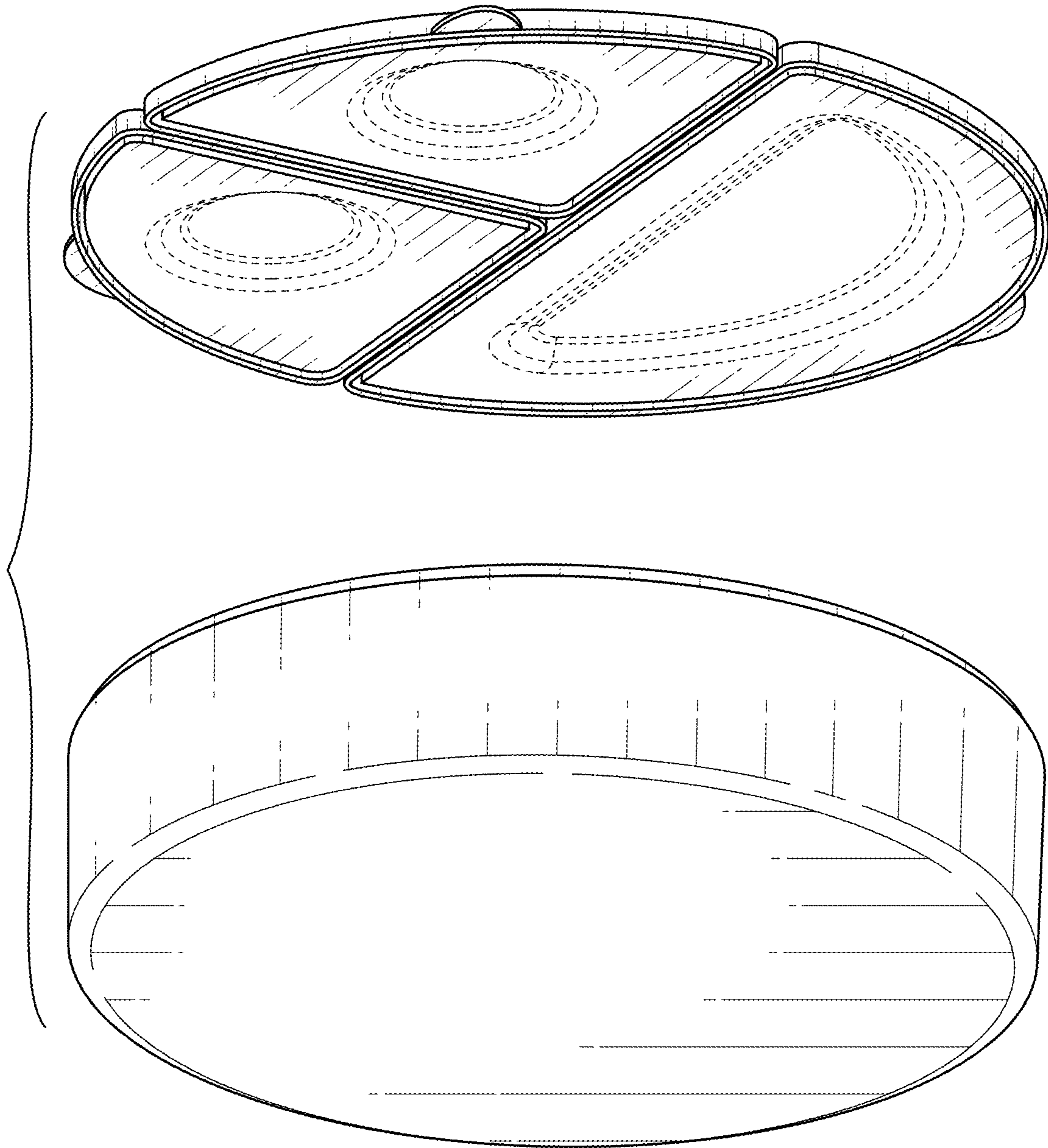


FIG. 8

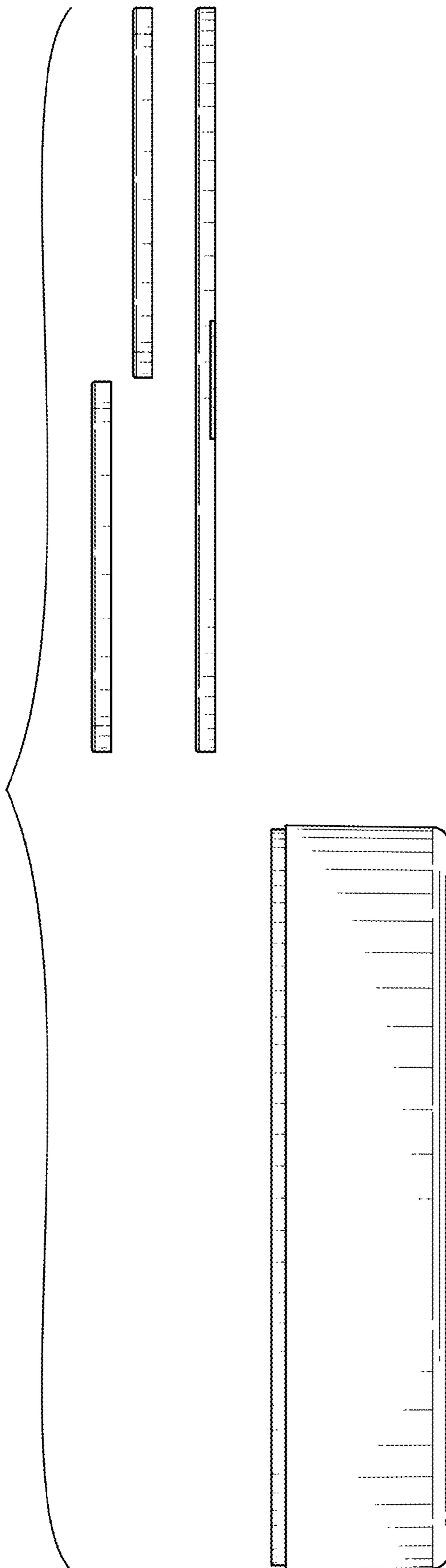


FIG. 9

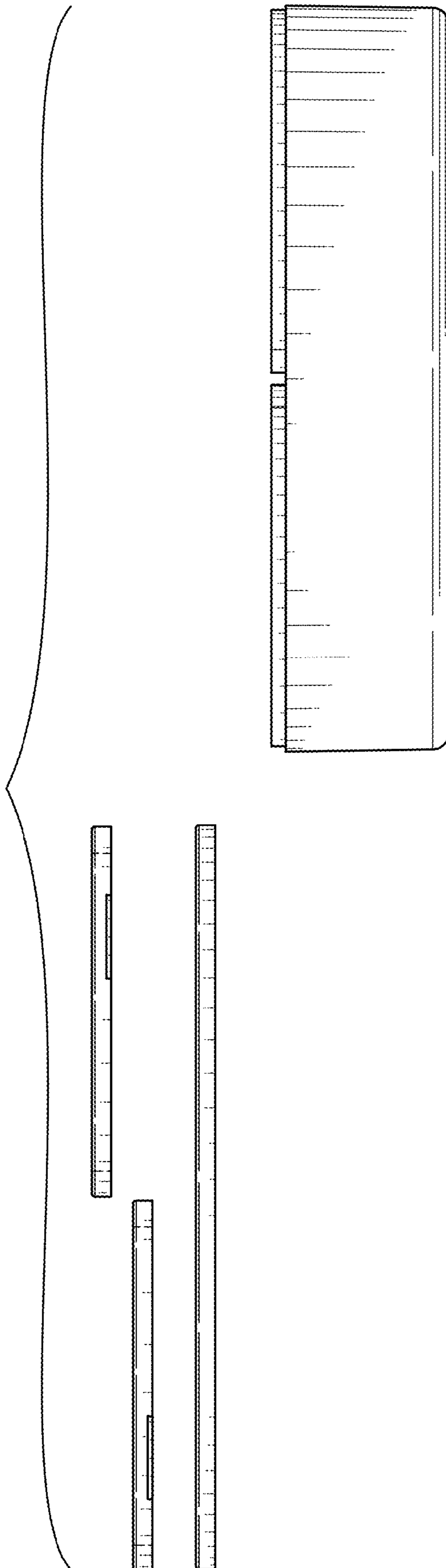


FIG. 10

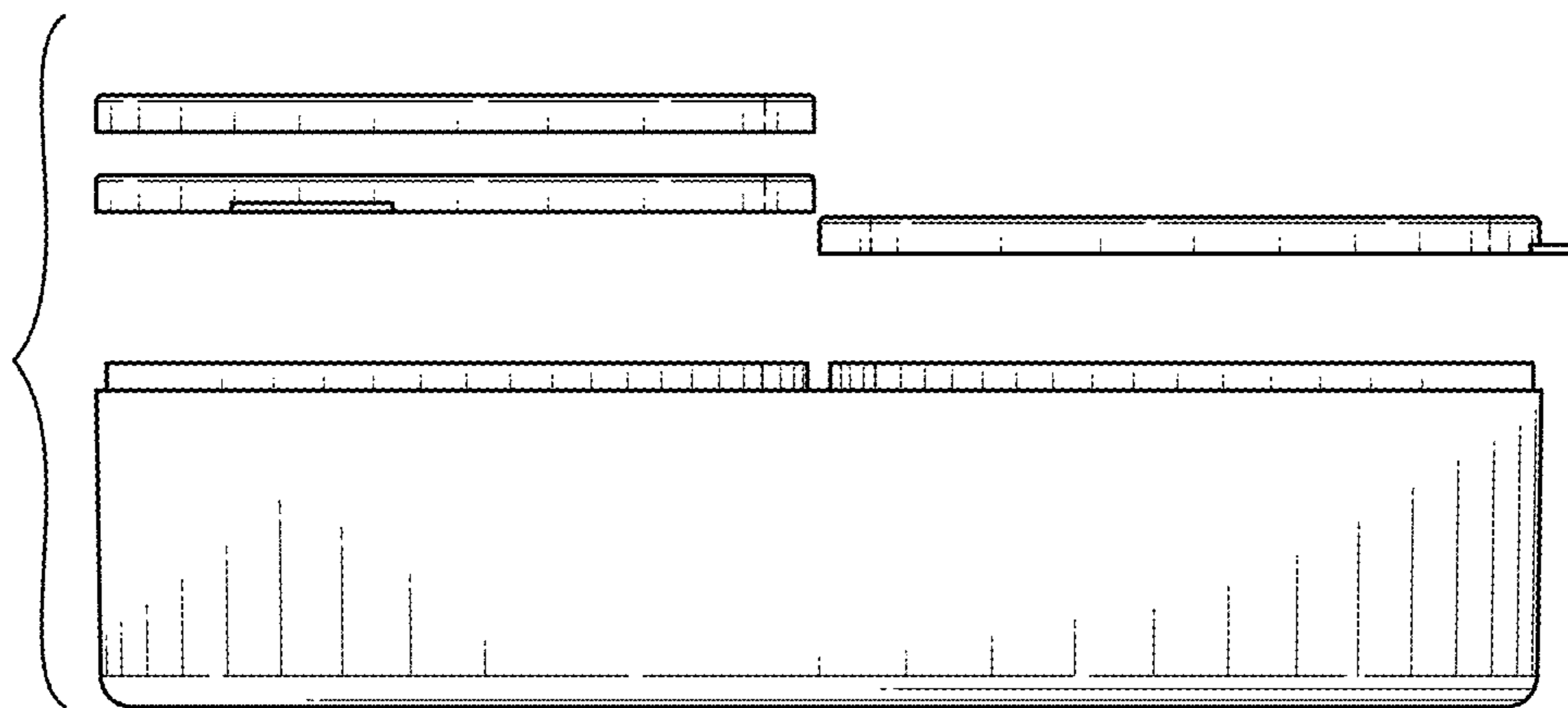


FIG. 11

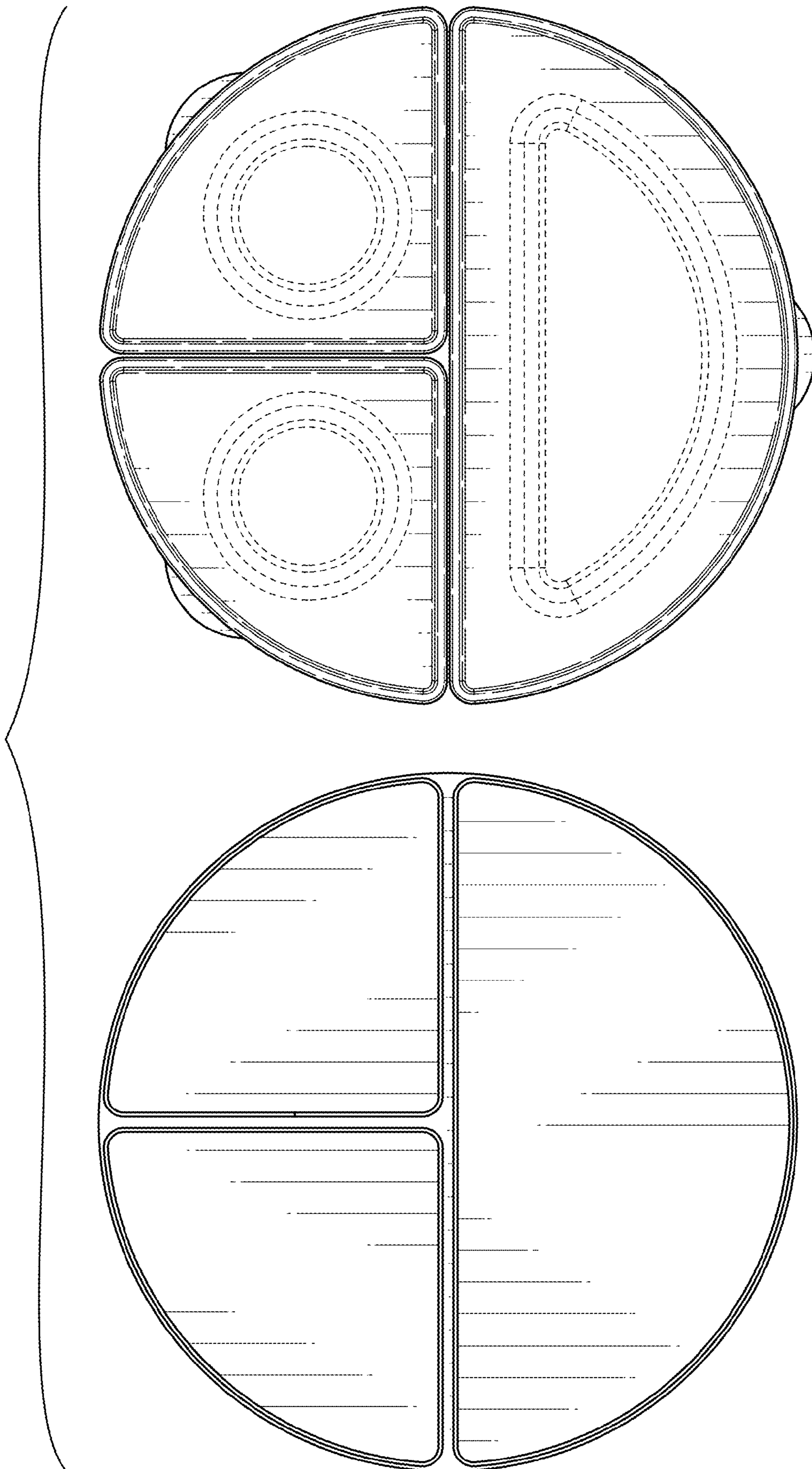


FIG. 12

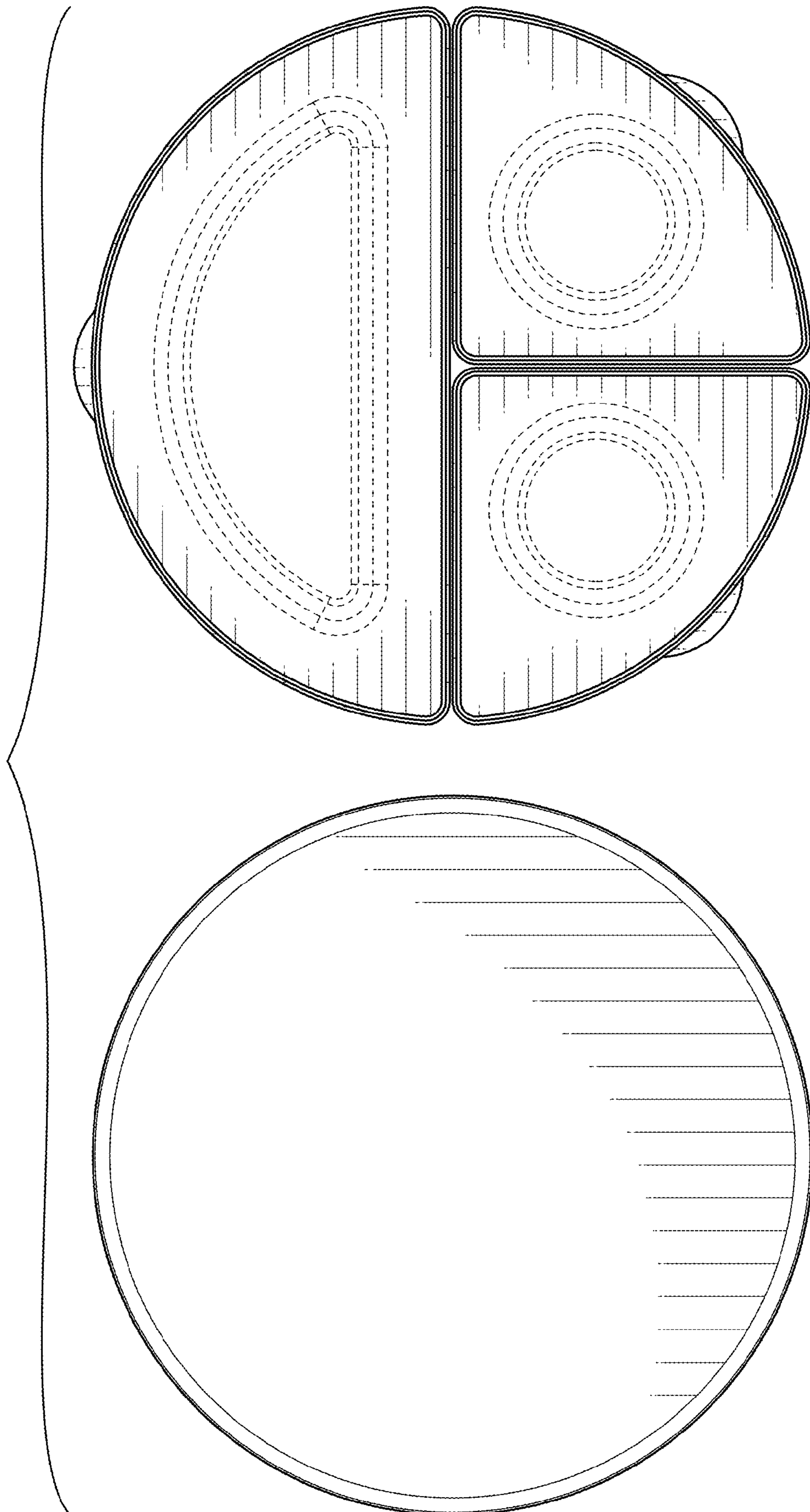


FIG. 13